

Customer Information Sheet

DRAWING No.: M225-0500098

IF IN DOUBT - ASK

©

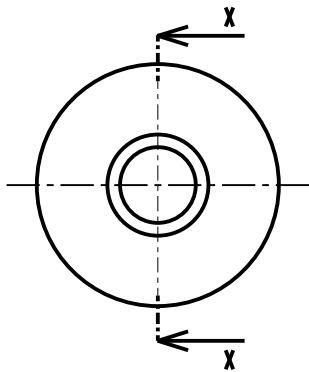
NOT TO SCALE

THIRD ANGLE PROJECTION

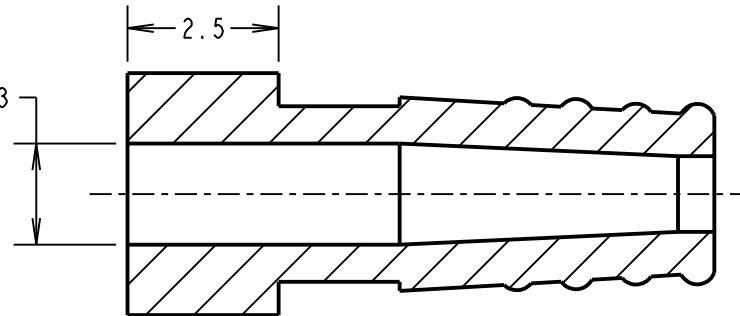
ALL DIMENSIONS IN mm

NOTES:

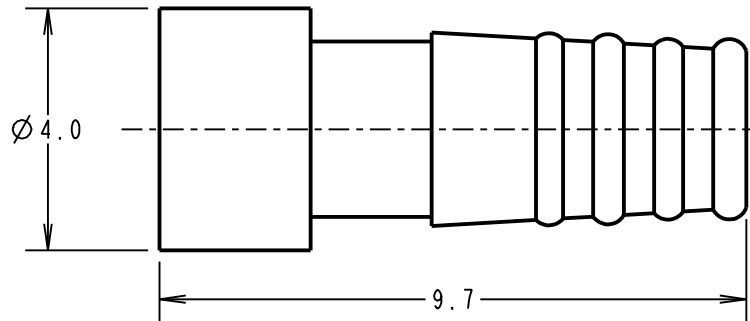
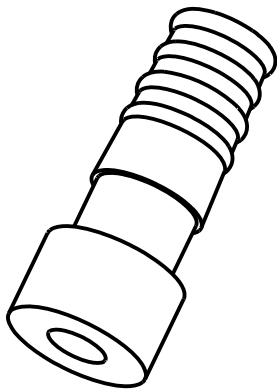
1. FOR COMPLETE SPECIFICATION, SEE COMPONENT SPECIFICATION C050XX (LATEST ISSUE).
2. PACK TYPE = BAG.
3. COLLAR TO BE USED IN M225-455XX98 ASSEMBLY.



$\varnothing 1.7 \pm 0.3$



SECTION X-X



MR	1	18.12.18	21726
NAME	ISS.	DATE	C/NOTE
APPROVED: M.RUDKIN			
CHECKED: S.BENNETT			
DRAWN: S.BENNETT			
CUSTOMER REF.:			
ASSEMBLY DRG:			
M225-455XX98			

HARWIN

www.harwin.com
technical@harwin.com

THIS DRAWING AND ANY INFORMATION OR DESCRIPTIVE MATTER SET OUT HEREON ARE CONFIDENTIAL AND COPYRIGHT PROPERTY OF THE HARWIN GROUP AND MUST NOT BE DISCLOSED, LOANED, COPIED OR USED FOR MANUFACTURING, TENDERING OR FOR ANY OTHER PURPOSE WITHOUT THEIR WRITTEN PERMISSION.

TOLERANCES
 X. = $\pm 1\text{mm}$
 X.X = $\pm 0.50\text{mm}$
 X.XX = $\pm 0.10\text{mm}$
 X.XXX = $\pm 0.01\text{mm}$
 ANGLES = $\pm 5^\circ$
 UNLESS STATED

MATERIAL:
 FLUOROELASTOMER POLYMER (FPM)
FINISH:
S/AREA: mm²

TITLE:
 M225
 INDUSTRIAL RUBBER COLLAR

DRAWING NUMBER:
 M225-0500098

SHT
 2 OF 2