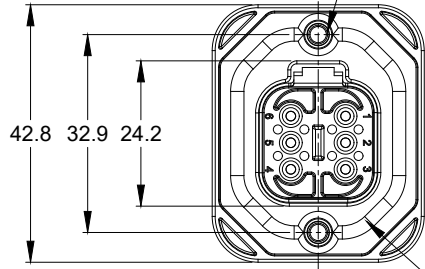
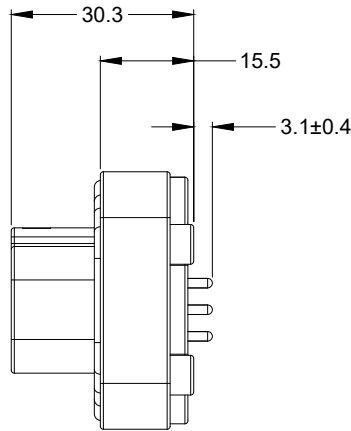


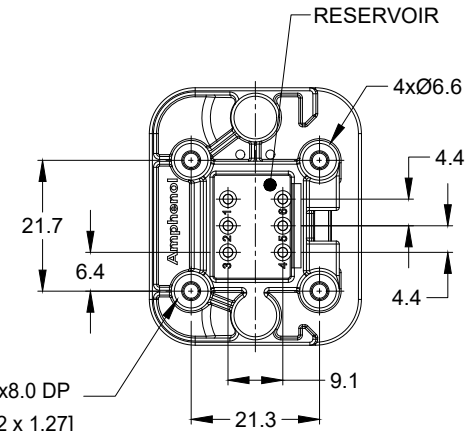
2xØ3.10±0.12x11.18 DP
 RECOMMENDED SCREW: 6-19 [M3.63 x 1.34]
 THREAD-FORMING SCREW,
 TORQUE: 11-15 IN-LB [1.24-1.70 NM]



FLANGE SEAL



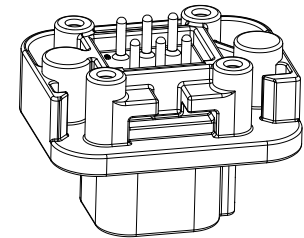
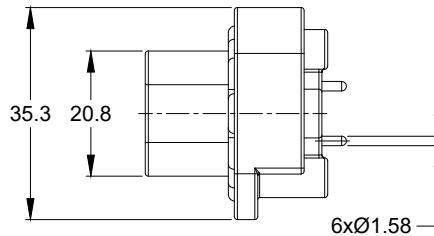
4xØ2.79±0.12 x8.0 DP
 RECOMMENDED SCREW: 4-20 [M3.12 x 1.27]
 THREAD-FORMING SCREW,
 TORQUE:6-10 IN-LB [0.68-1.13 NM]



REVISIONS					
REV	ECO	DESCRIPTION	DATE	BY	APPR
01	--	RELEASE NEW DRAWING	2MAR18	JONY	TOMMY

NOTES: UNLESS OTHERWISE SPECIFIED

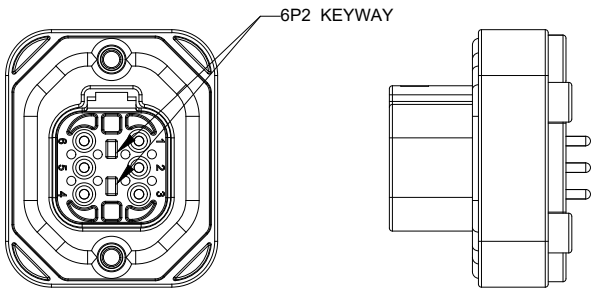
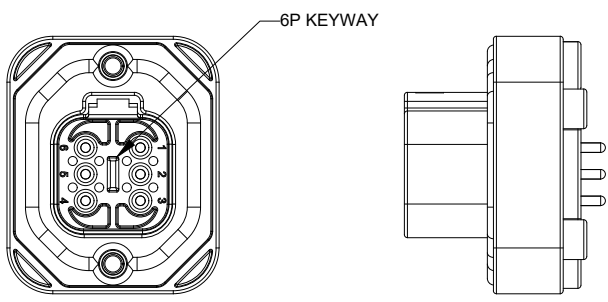
- MATERIAL:
 HOUSING: THERMOPLASTIC
 SEAL: SILICONE RUBBER
 CONTACT: COPPER ALLOY
- MODIFICATIONS: FLANGE, PCB MOUNT STRAIGHT
- SPECIFICATIONS:
 - CURRENT RATING: 13 AMPS
 - OPERATING TEMPERATURE: -55°C TO +125°C
 - DIELECTRIC WITHSTANDING VOLTAGE: LESS THAN 2 MILLIAMPS CURRENT LEAKAGE @ 1500 VOLTS AC.
 - INSULATION RESISTANCE: 1000 MEGOHMS MIN @ 25°C.
 - MOISTURE RESISTANCE: IP67 (MATED CONDITION)
 - MATING CYCLE DURABILITY: 100 CYCLES
 - RoHS COMPLIANT
- MATING PART: AT06-6S* PLUG
 (* = MODIFICATIONS)
- ALL DIMENSIONS ARE FOR REFERENCE USE ONLY.



AT15-6PX-BMXX		DESCRIPTION		ITEM
PART NUMBER		DESCRIPTION		ITEM
QUANTITY				
MATERIALS LIST				
UNLESS OTHERWISE SPECIFIED 1) All dimensions are in metric (mm). 2) Tolerances are as follows: 1 PL DEC ±0.30 Fractions ±1/64 2 PL DEC ±0.15 3 PL DEC ±0.08 3) Note reference =		SIGNATURES		DATE
DRAWN: JONY.XIE		2MAR18		
CHECKED: ORION.LI		2MAR18		
APPROVAL: TOMMY.XIE		2MAR18		
MATERIAL SPECIFICATIONS:		CUSTOMER:		
PROCESS SPECIFICATIONS:		THIS DRAWING IS SUPPLIED FOR INFORMATION ONLY. DESIGN FEATURES, SPECIFICATIONS AND PERFORMANCE DATA SHOWN HEREON ARE THE PROPERTY OF THE AMPHENOL CORPORATION. NO RIGHTS OF REPRODUCTION ARE IMPLIED. ALL DIMENSIONS ARE SUBJECT TO NORMAL MANUFACTURING VARIATIONS.		
NEXT ASSY:		SCALE: NONE		
		SIZE: B C-	DWG NO: AT15-6PX-BMXX	REVISION: 01
		SHEET 1 OF 2		

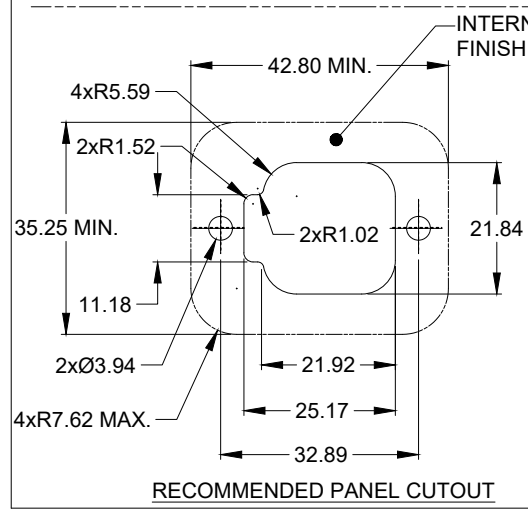
TITLE: PCB MOUNT RECEPTACLE 6PIN STRAIGHT AT SERIES
 DWG NO: AT15-6PX-BMXX
 REV: 01
 SH: 1
 OF: 2

REVISIONS					
REV	ECO	DESCRIPTION	DATE	BY	APPR
01	-	RELEASE NEW DRAWING	2MAR18	JONY	TOMMY

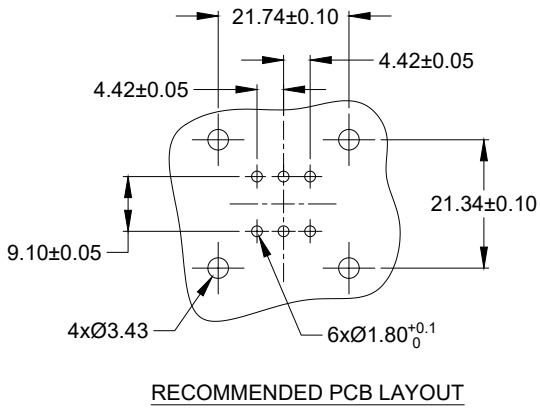


AT15-6P-BMXX VARIANTS		
CONTACT PLATING	POTTING OR NOT IN RESERVOIR	PART NUMBER
GOLD	NO POTTING	AT15-6P-BM01GRY
GOLD	POTTING	AT15-6P-BM02GRY
TIN	NO POTTING	AT15-6P-BM03GRY
TIN	POTTING	AT15-6P-BM04GRY

AT15-6P2-BMXX VARIANTS		
CONTACT PLATING	POTTING OR NOT IN RESERVOIR	PART NUMBER
GOLD	NO POTTING	AT15-6P2-BM01BLU
GOLD	POTTING	AT15-6P2-BM02BLU
TIN	NO POTTING	AT15-6P2-BM03BLU
TIN	POTTING	AT15-6P2-BM04BLU



INTERNAL SEALING SURFACE
FINISH TO BE 3.2 OR BETTER $\sqrt{\text{0.13}}$



AT15-6PX-BMXX		DESCRIPTION		ITEM
PART NUMBER				
MATERIALS LIST				
QUANTITY	SIGNATURES	DATE		
UNLESS OTHERWISE SPECIFIED	DRAWN: JONY.XIE	2MAR18	Sine Systems - www.amphenol-sine.com	
1) All dimensions are in metric (mm).	CHECKED: ORION.LI	2MAR18	44724 Morley Drive	
2) Tolerances are as follows:	ENGINEER:		Clinton Township, MI 48036	
1 PL DEC ±0.30 Fractions ±1/64	APPROVAL: TOMMY.XIE	2MAR18	PCB MOUNT RECEPTACLE 6PIN STRAIGHT AT SERIES	
2 PL DEC ±0.15 Angles ±1°	CUSTOMER:		SIZE: B C- DWG NO: AT15-6PX-BMXX REVISION: A1	
3) Note reference = Δ	THIS DRAWING IS SUPPLIED FOR INFORMATION ONLY. DESIGN FEATURES, SPECIFICATIONS AND PERFORMANCE DATA SHOWN HEREON ARE THE PROPERTY OF THE AMPHENOL CORPORATION. NO RIGHTS OF REPRODUCTION ARE IMPLIED. ALL DIMENSIONS ARE SUBJECT TO NORMAL MANUFACTURING VARIATIONS.		SCALE: NONE SHEET 2 OF 2	
MATERIAL SPECIFICATIONS:				
PROCESS SPECIFICATIONS:				
NEXT ASSY:				

TITLE: PCB MOUNT RECEPTACLE 6PIN STRAIGHT AT SERIES DWG NO: AT15-6PX-BMXX REV: A1 SH: 2 OF: 2