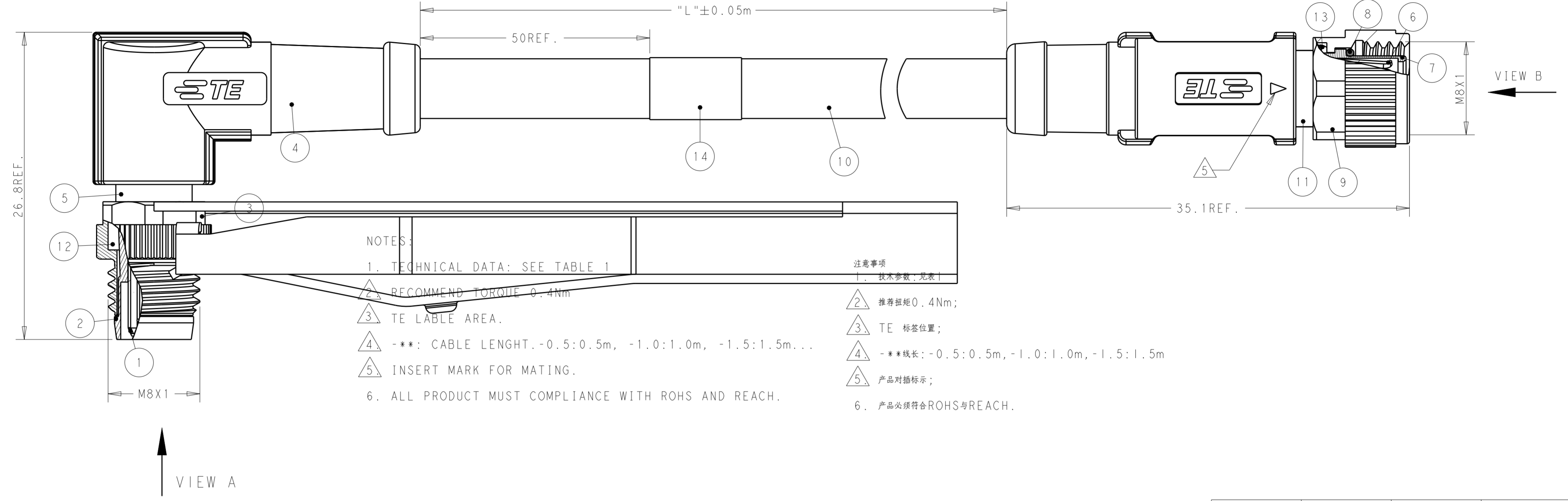


THIS DRAWING IS UNPUBLISHED. RELEASED FOR PUBLICATION 20
 © COPYRIGHT 20 BY - ALL RIGHTS RESERVED.

REVISIONS				
P	LTR	DESCRIPTION	DATE	APVD
A		INITIAL RELEASE	24FEB2016	N.P X.X



- NOTES:
- 1. TECHNICAL DATA: SEE TABLE 1
 - 2. RECOMMEND TORQUE 0.4Nm
 - 3. TE LABEL AREA.
 - 4. -** : CABLE LENGTH: -0.5:0.5m, -1.0:1.0m, -1.5:1.5m...
 - 5. INSERT MARK FOR MATING.
 - 6. ALL PRODUCT MUST COMPLIANCE WITH ROHS AND REACH.
- 注意事项:
- 1. 技术参数，见表1
 - 2. 推荐扭矩0.4Nm；
 - 3. TE 标签位置；
 - 4. -**线长：-0.5:0.5m，-1.0:1.0m，-1.5:1.5m
 - 5. 产品对插标示；
 - 6. 产品必须符合ROHS与REACH。

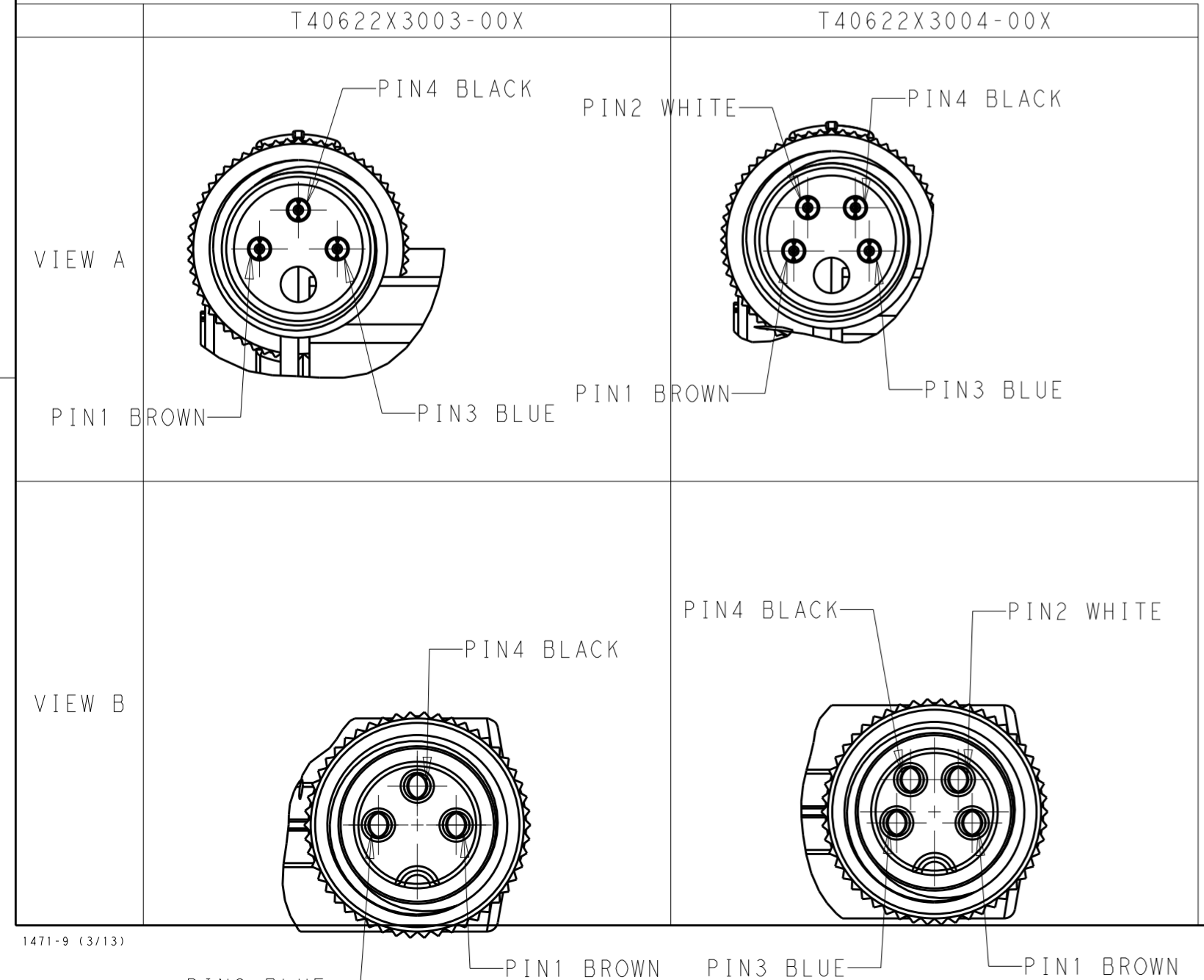


TABLE 1

TECHNICAL DATA	T40622X3003-00X	T40622X3004-00X
RATED VOLTAGE	60V	30V
RATED CURRENT	3A	
POLLUTION DEGREE	3	
OVERVOLTAGE CATEGORY	II	
MATERIAL GROUP	II	
DEGREE OF PROTECTION	IP67	

ITEM	DESCRIPTION	MATERIAL	ITEM
14	TE LABEL	-	-
13	WAVE WASHER	STEEL	-
12	SPRING	STEEL	-
11	SHIELDING	BRASS	-
10	CABLE	-	-
9	COUPLING NUT	COPPER ALLOY	-
8	O-RING	RUBBER	-
7	HOUSING	PA66	BALCK COLOR
6	CONTACT	COPPER ALLOY	GOLD FLASH
5	SHIELDING	COPPER ALOY	-
4	OVER-MOLDING	POLYURETHANE	BLUE COLOR
3	COUPLING NUT	COPPER ALLOY	-
2	HOUSING	PA66	BALCK COLOR
1	CONTACT	COPPER ALLOY	GOLD FLASH

WIRES: 0.25mm ² (24AWG)	LENGTH "L"	RECOMMEND OPERATION TEMPERATURE FOR CABLE	JACKET COLOR	JACKET MATERIAL	TYPE	POS.	PART NUMBER
-001: 0.5m -002: 1.0m -003: 1.5m -004: 3.0m -005: 5.0m -006: 7.0m -007: 10.0m		FIXED: -25°C~80°C FLXIBLE: -10°C~80°C	GRAY	PUR (UL)	RPC-M8-4MR-**SH-M8-4FS-PUR	4	T4062223004-00X
		FIXED: -10°C~80°C FLXIBLE: -5°C~80°C	BLACK	PVC (UL)	RPC-M8-3MR-**SH-M8-3FS-PUR	3	T4062223003-00X
					RPC-M8-4MR-**SH-M8-4FS-PVC	4	T4062213004-00X
					RPC-M8-3MR-**SH-M8-3FS-PVC	3	T4062213003-00X

THIS DRAWING IS A CONTROLLED DOCUMENT.

DIMENSIONS: mm

TOLERANCES UNLESS OTHERWISE SPECIFIED:

0 PLC	±	
1 PLC	±0.50	
2 PLC	±0.35	
3 PLC	±	
4 PLC	±	
ANGLES	±	
FINISH		

MATERIAL: TBD

APVD: Xiang Xu 24FEB2016

CHK: Kobby Zhao 24FEB2016

DWN: Nick Pan 24FEB2016

NAME: M8 CABLE ASSEMBLY SHIELDED TYPE DOUBLE ENDED

PRODUCT SPEC: 108-106140

APPLICATION SPEC: -

WEIGHT: -

CUSTOMER DRAWING

SCALE: 1:1

SHEET: 1 OF 1

REV: A