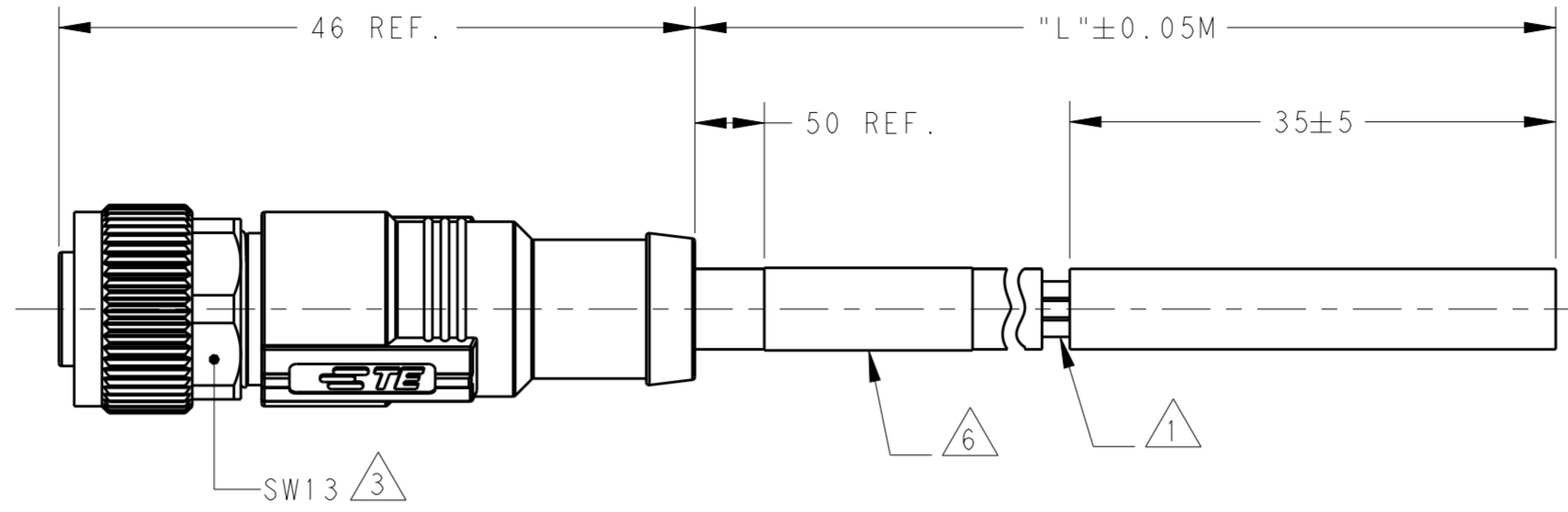
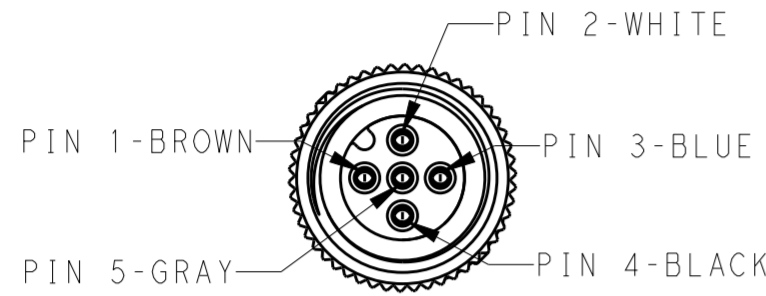


THIS DRAWING IS UNPUBLISHED. RELEASED FOR PUBLICATION 20
 © COPYRIGHT 20 BY - ALL RIGHTS RESERVED.

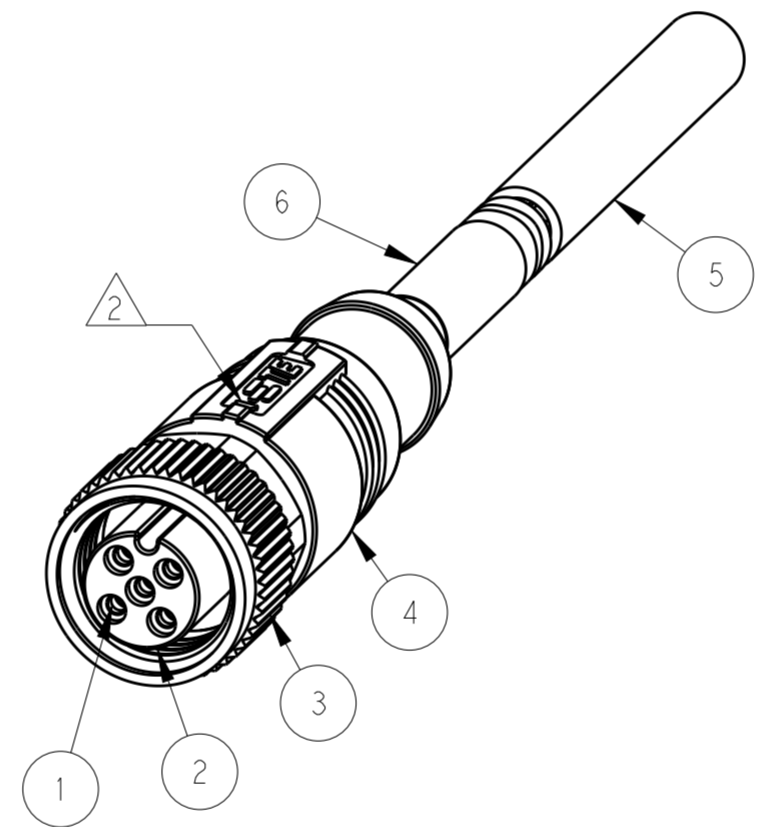
ITEM	DESCRIPTION	MATERIAL	OTHERS
1	FEMALE CONTACT	COPPER ALLOY	FLASH GOLD
2	HOUSING	NYLON	BLACK
3	COUPLING NUT	COPPER ALLOY	-
4	OVER-MOLDING	POLYURETHANE	BLUE
5	CABLE	-	-
6	LABEL	-	-

REVISIONS				
P	LTR	DESCRIPTION	DATE	APVD
	A	INITIAL RELEASE	13APR2016	HW XX



NOTE:
 1. STRIP AND RETAIN THE INSULATION
 2. CODE POSITION INDICATOR
 3. RECOMMENDED TORQUE 0.6 Nm
 4. -** : CABLE LENGTH
 -0.5:0.5M,
 -1.0:1.0M,
 -1.5:1.5M,
 -3.0:3.0M,
 -5.0:5.0M,
 -7.0:7.0M,
 -10.0:10.0M,
 5. CABLE ASSEMBLY TO BE PACKAGED IN POLYBAGS
 6. LABEL CONTAINS: PN, DATE CODE...

TECHNICAL DATA	T41613X0002-00X	T41613X0003-00X	T41613X0004-00X	T41613X0005-00X
RATED VOLTAGE	250V		60V	
RATED IMPULSE VOLTAGE	2500V		1500V	
RATED CURRENT	4A			
POLLUTION DEGREE	3			
OVERVOLTAGE CATEGORY	II			
MATERIAL GROUP	II			
DEGREE OF PROTECTION	IP67			



注释:
 1. 剥线并保留护套绝缘层
 2. CODE位置指示
 3. 推荐扭矩0.6 Nm
 4. -** : 线缆长度
 -0.5:0.5M,
 -1.0:1.0M,
 -1.5:1.5M,
 -3.0:3.0M,
 -5.0:5.0M,
 -7.0:7.0M,
 -10.0:10.0M,
 5. 线缆组件塑料袋包装
 6. 标签包含: 产品编号, 日期代码...

PIN ARRANGEMENT A-CODE

T41613X0002-00X	T41613X0003-00X	T41613X0004-00X
T41613X0005-00X		

WIRES: 0.34mm ² (22AWG) WIRE COLOR: WH/BR/BK/BL/GR OD: APPROX.5.0MM FOR 2P/3P APPROX.5.5MM FOR 4P APPROX.6.0MM FOR 5P	-001:0.5M	FIXED: -40°C~+80°C FLXIBLE: -25°C~+80°C	GRAY	PUR (UL)	RPC-M12-FS-5CON-PUR-**SH 1	5	T4161320005-00X
	-002:1.0M				RPC-M12-FS-4CON-PUR-**SH 1	4	T4161320004-00X
	-003:1.5M				RPC-M12-FS-3CON-PUR-**SH 1	3	T4161320003-00X
	-004:3.0M	FIXED: -10°C~+80°C FLXIBLE: -5°C~+80°C	BLACK	PVC (UL)	RPC-M12-FS-2CON-PUR-**SH 1	2	T4161320002-00X
	-005:5.0M				RPC-M12-FS-5CON-PVC-**SH 1	5	T4161310005-00X
	-006:7.0M				RPC-M12-FS-4CON-PVC-**SH 1	4	T4161310004-00X
	-007:10.0M				RPC-M12-FS-3CON-PVC-**SH 1	3	T4161310003-00X
				RPC-M12-FS-2CON-PVC-**SH 1	2	T4161310002-00X	
CABLE CHARACTERISTIC	LENGTH "L"	TEMPERATURE RANGE	JACKET COLOR	JACKET MATERIAL	TYPE	POS.	TE PN

THIS DRAWING IS A CONTROLLED DOCUMENT.

DIMENSIONS: mm	TOLERANCES UNLESS OTHERWISE SPECIFIED:	DWN HAO WANG 13APR2016	TE Connectivity
1 PLC ±	0 PLC ±	CHK KOBBY ZHAO 13APR2016	
2 PLC ±	1 PLC ±	APVD XIANG XU 13APR2016	
3 PLC ±	2 PLC ±	PRODUCT SPEC 108-106140	
4 PLC ±	3 PLC ±	APPLICATION SPEC	NAME M12X1 STRAIGHT RECEPTACLE, FREE END A-CODE, SHIELDED,
MATERIAL	FINISH	WEIGHT	SIZE A2
			CAGE CODE
			DRAWING NO
			RESTRICTED TO
			SCALE 2:1
			SHEET 1 OF 1
			REV A

CUSTOMER DRAWING