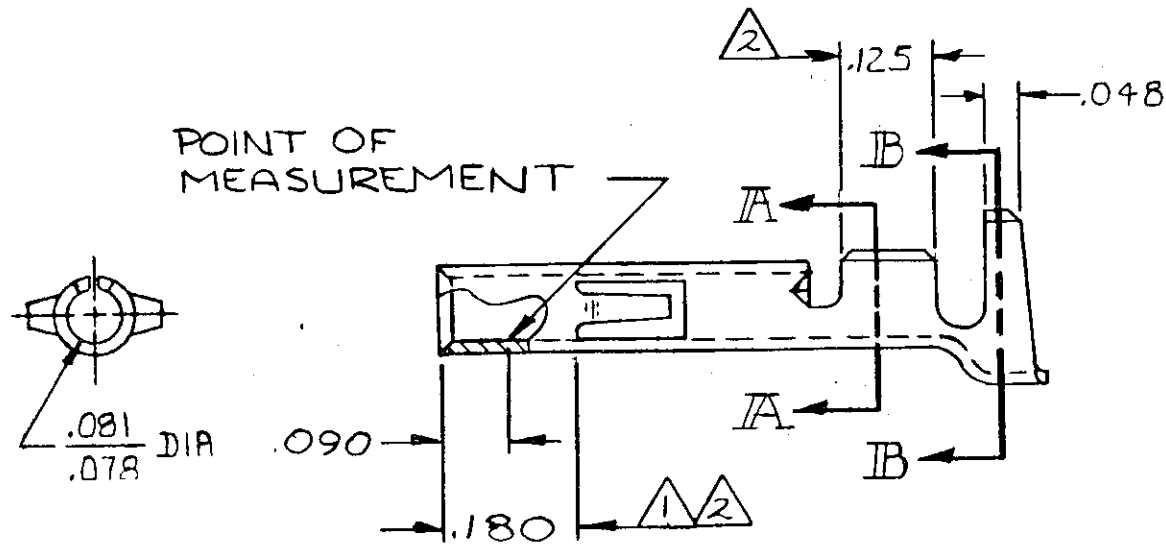
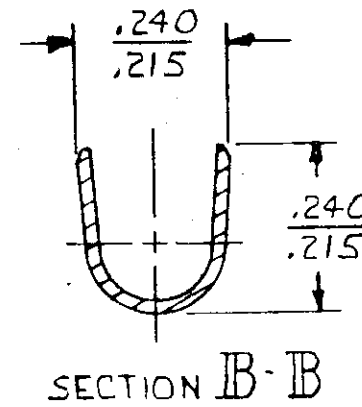
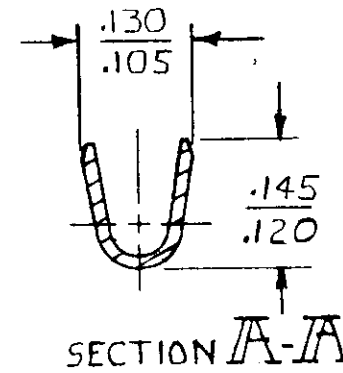
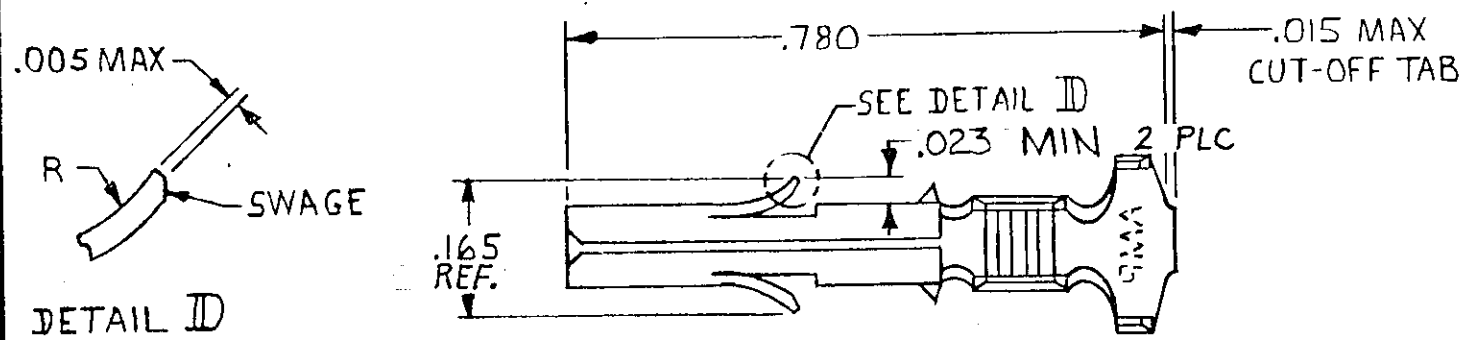


REVISIONS						
P	F	ZONE	LTR	DESCRIPTION	DATE	APPROVED
			R	REVISED PER ECR-12-013323	10AUG12	TM



- ① .000030 THICK GOLD OVER NICKEL ON INSIDE OF RECEPTACLE; REMAINDER OF CONTACT IS NICKEL PLATED.
- ② .000030 THICK GOLD OVER NICKEL ON INSIDE OF RECEPTACLE AND WIRE BARREL; REMAINDER OF CONTACT IS NICKEL PLATED.
- ③ INSULATION RANGE: .130-.200 DIA.

FINISH	MATERIAL	PART NO
GOLD ①	.012 BRASS	350551-7
	.012 PH. BRZ	350551-6
PRE-TIN	.012 PH. BRZ	350551-3
GOLD ②	.012 BRASS	350551-2
PRE-TIN	.012 BRASS	350551-1

UNLESS OTHERWISE SPECIFIED DIMENSIONS ARE IN INCHES. TOLERANCES ON: DECIMALS ±.015 ANGLES ±	CONTRACT NO	STE TE Connectivity		
	DR <i>m. Feher 4-29-81</i>			
	CHK <i>D.S. Weide 6/9/81</i>	NAME	SOCKET, (LOOSE PIECE)	
	APPD <i>D. P. Schubert 6-10-81</i>	UNIVERSAL MATE-N-LOK		
WIRE RANGE 20-14 AWG	DSGN APPD	SIZE	CODE IDENT NO	DRAWING NO
INSULATION RANGE ③	OTHER APPD	B	00779	350551
		SCALE 4-1	SHEET	