



11mm Size Metal Shaft Type EC11 Series

Part number	EC11B15242AE	
Structure	Horizontal	
Actuator configuration	Flat	
Actuator length	20mm	
Number of detent	30	
Number of pulse	15	
Push-on switch	With	
Travel of push-on switch	0.5mm	
Operating life	15,000 cycles	
Operating temperature range	-40°C to +85°C	
Electrical performance	Ratings	10mA 5V DC
	Output signal	Two phase A and B
	Max./min. operating current(Resistive load)	10mA/1mA
	Insulation resistance	100MΩ min. 250V DC
	Voltage proof	300V AC for 1 minute or 360V AC for 2s
Mechanical performance	Detent torque	12±7mN·m
	Push-pull strength	100N
Push-on switch specifications	Contact arrangement	Single pole single throw (Push-on)
	Travel	0.5(+0.4, -0.3)mm
	Operating force	6±3N

About Cookies on this site :

This site uses cookies to improve your online experience. By continuing to use this site without changing your cookie preferences, we will assume that you are agreeing to our use of cookies. For more information, visit our [Terms of Use](#).

Accept

(Initial
performance/After
lifetime)

Operating life	25,000 times
----------------	--------------

Minimum order unit (pcs.)	Japan	700
	Export	1,400

Photo

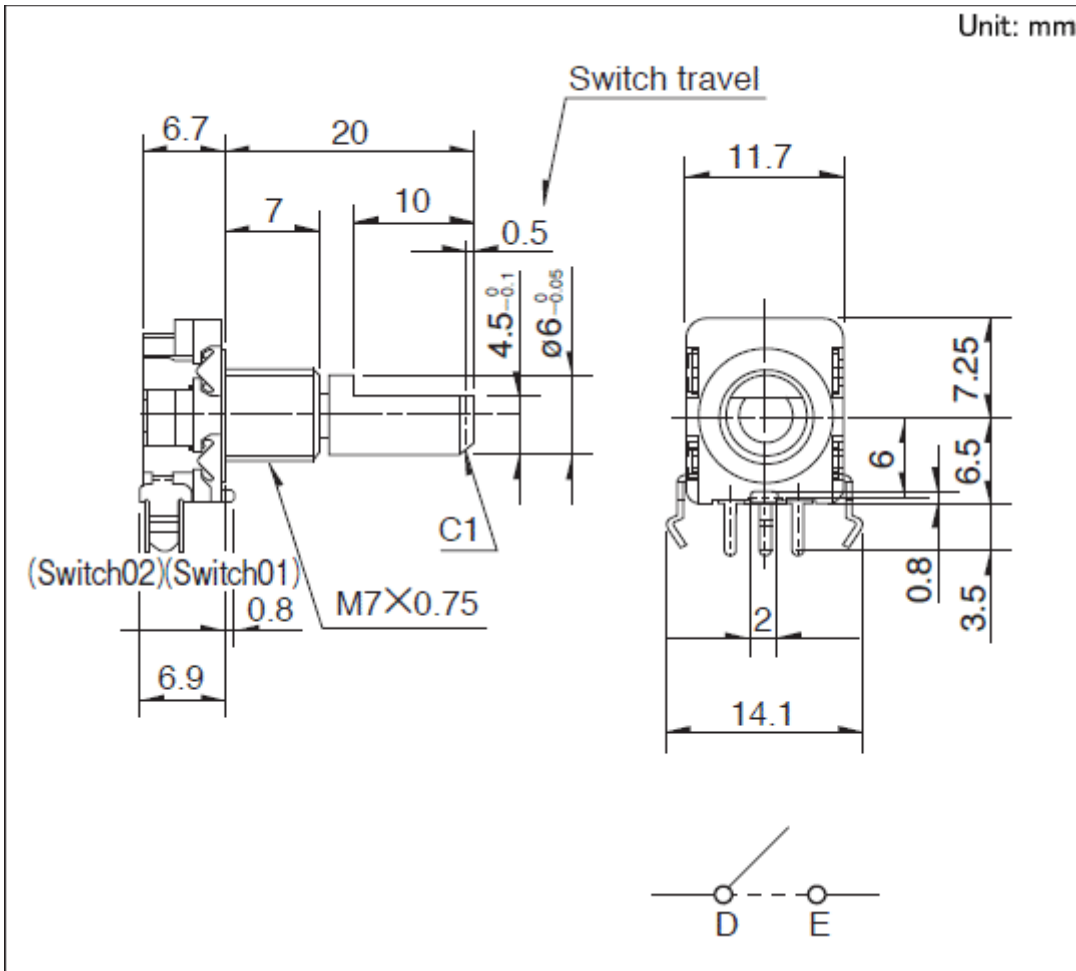


Dimensions

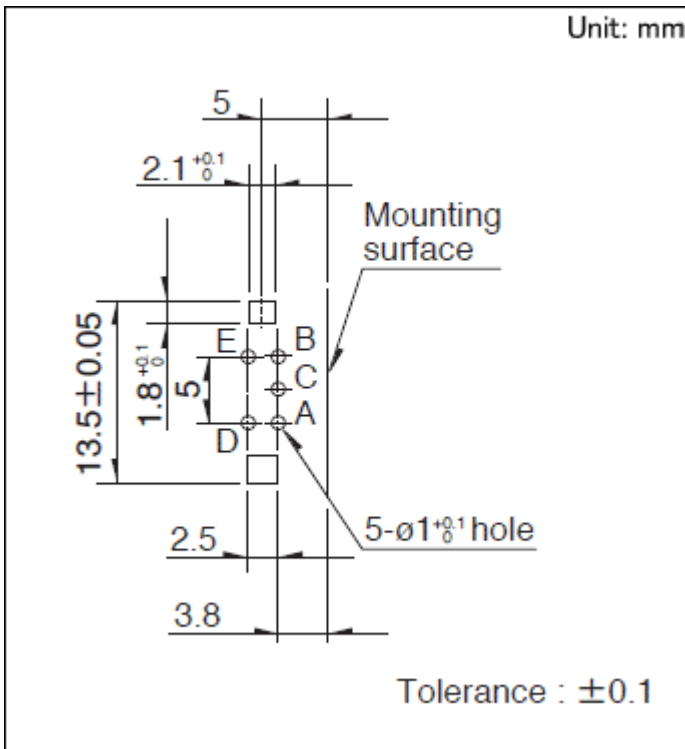
About Cookies on this site :

This site uses cookies to improve your online experience. By continuing to use this site without changing your cookie preferences, we will assume that you are agreeing to our use of cookies. For more information, visit our [Terms of Use](#).

Accept



Mounting Hole Dimensions



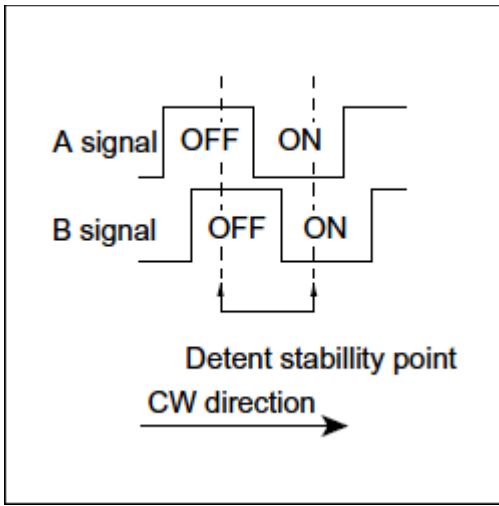
Viewed from mounting side.

Output Wave

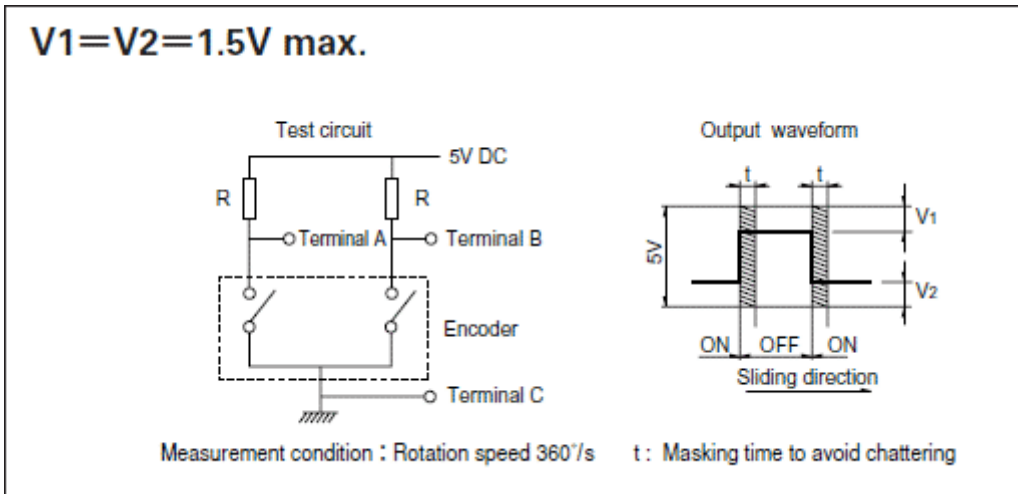
About Cookies on this site :

This site uses cookies to improve your online experience. By continuing to use this site without changing your cookie preferences, we will assume that you are agreeing to our use of cookies. For more information, visit our [Terms of Use](#).

Accept

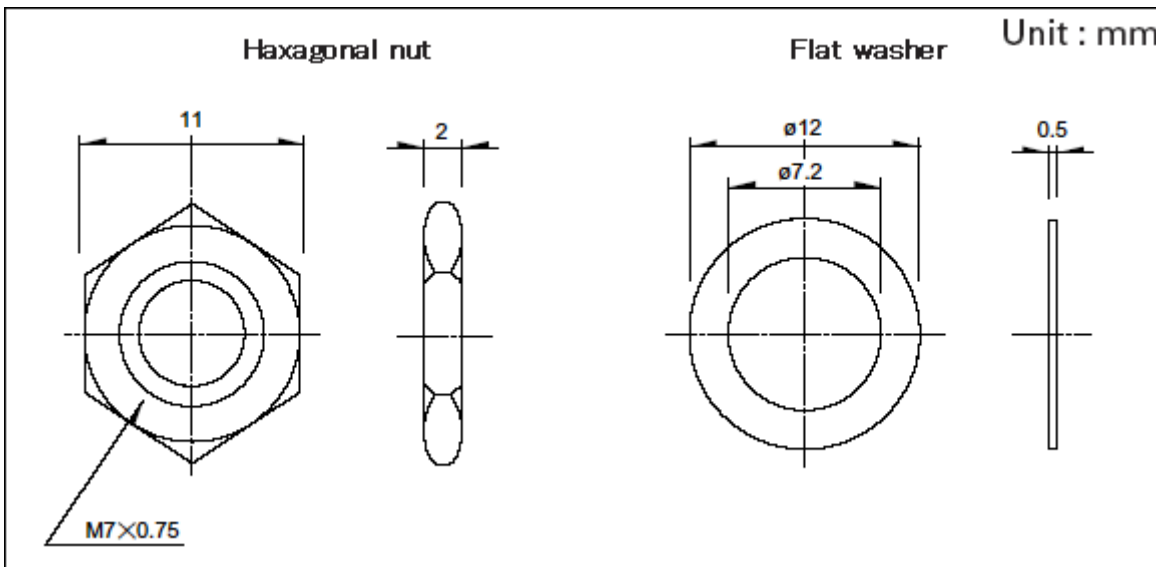


Sliding Noise



At R=5kΩ Chattering: 2ms max. Bounce: 2ms max.

Attached Parts



Packing Specifications

Term:

About Cookies on this site :

This site uses cookies to improve your online experience. By continuing to use this site without changing your cookie preferences, we will assume that you are agreeing to our use of cookies. For more information, visit our [Terms of Use](#).

Accept

1 case / export packing 1,400

Export package measurements (mm) 370×520×201

Soldering Conditions

Reference for Dip Soldering

Preheating	Soldering surfacetemperature	100°C max.
	Heating time	2 min. max.
Dip soldering	Soldering temperature	260±5°C
	Soldering time	5±1s
No. of solders		2 time max.

Reference for Hand Soldering

Tip temperature	350°C max.
Soldering time	3s max.
No. of solders	1 time

Product Varieties

Single-shaft Type

1) Knurled Type

Unit : mm

Style (Shaft diameter : φ6)

20 teeth Serrated

0.5 or 1

φ7

C1

Detailed dimensions

L ₁	L _B	l ₁	l ₂	S ₁
20	7	6	1	7
25	10	10	2	11

2) Flat Type

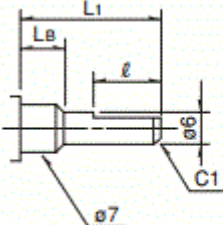
Unit : mm

Style (Shaft diameter : φ6)

About Cookies on this site :

This site uses cookies to improve your online experience. By continuing to use this site without changing your cookie preferences, we will assume that you are agreeing to our use of cookies. For more information, visit our [Terms of Use](#).

Accept



● Detailed dimensions

	L_1	L_B	l
※1	15	5	7
	15	7	5 (6)
	20	7	10 (12)
※2	25	10	12

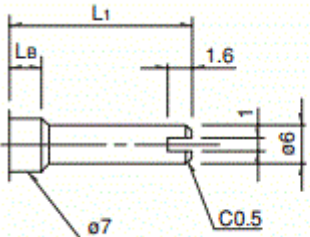
※ 1 Does not comply with EC111
 ※ 2 $L_B=7$ for EC11B.

Values in parentheses apply to products without push-on switch.

3) Slotted Type

Unit : mm

Style (Shaft diameter : $\phi 6$)



● Detailed dimensions

	L_1	L_B
	15	7
	20	7
※	25	10

※ $L_B=7$ for EC11B.

Notes are common to this series/models.

1. This site catalog shows only outline specifications. When using the products, please obtain formal specifications for supply.
2. Please place purchase orders per minimum order unit (integer).
3. Products other than those listed in the above chart are also available. Please contact us for details.
4. This products can be used in vehicles.
 Although these products are designed to perform over a wide operating temperature range, please ensure that you receive and read the formal delivery specifications before use.

About Cookies on this site :

This site uses cookies to improve your online experience. By continuing to use this site without changing your cookie preferences, we will assume that you are agreeing to our use of cookies. For more information, visit our [Terms of Use](#).

Accept