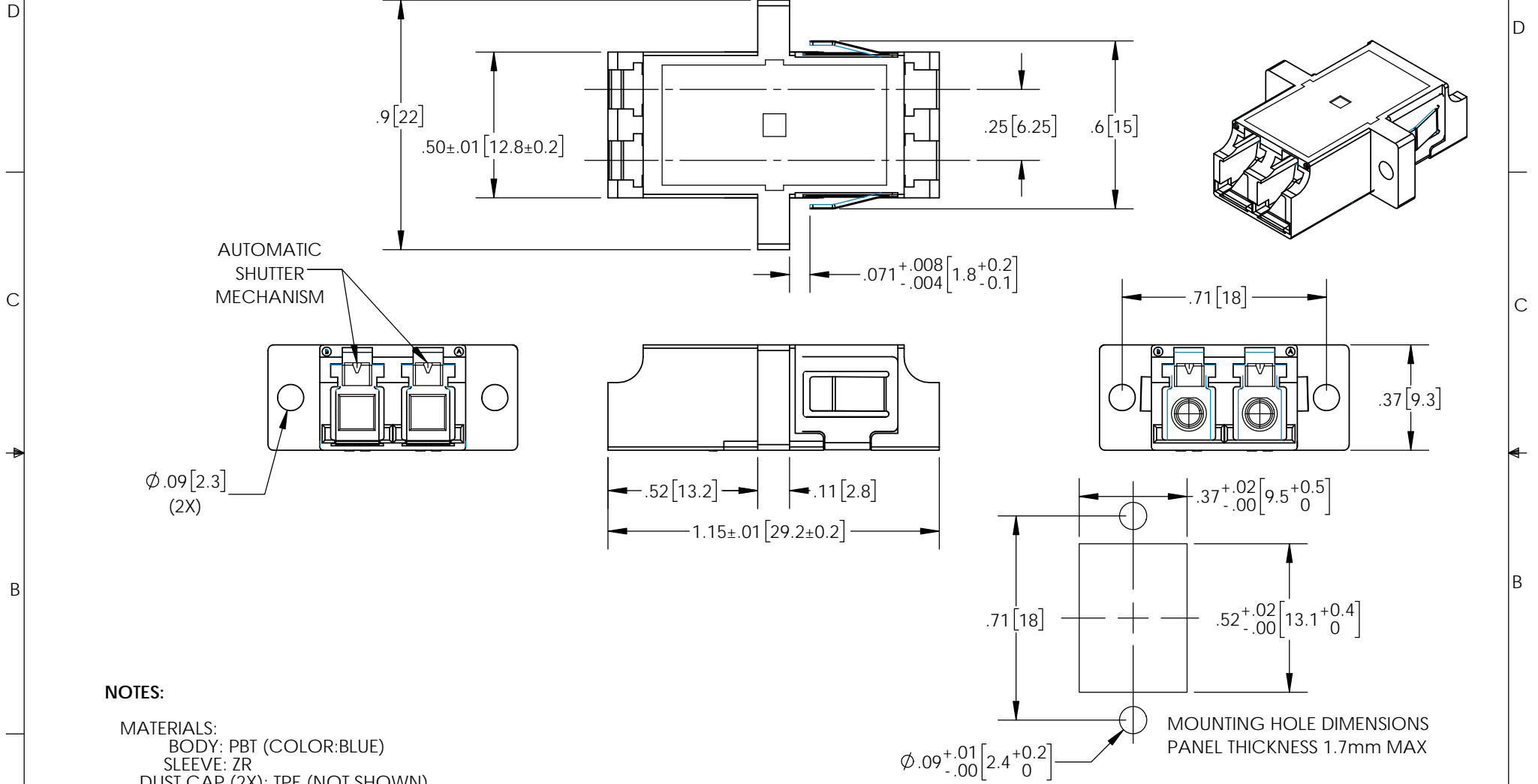


THE INFORMATION CONTAINED IN THIS DRAWING IS THE SOLE PROPERTY OF L-COM, INC. ANY REPRODUCTION IN PART OR WHOLE WITHOUT THE WRITTEN PERMISSION OF L-COM, INC. IS PROHIBITED.

REVISIONS			
REV	DESCRIPTION	DATE	APPROVED
A	REV A DRAWING RELEASED	10/05/2018	BPUCHASKI



**NOTES:**

**MATERIALS:**  
 BODY: PBT (COLOR:BLUE)  
 SLEEVE: ZR  
 DUST CAP (2X): TPE (NOT SHOWN)

**PACKAGING:**  
 COMPONENT SHALL BE PACKAGED IN ACCORDANCE WITH L-COM SPEC PS-0031

- ALL DIMENSIONS FOR REFERENCE-

**REGULATORY COMPLIANCE:**  
 CE2011/65/EU(RoHS DIRECTIVE)

UNLESS OTHERWISE SPECIFIED, DIMENSIONS ARE IN INCHES [mm]  DIMENSIONAL TOLERANCES: .X = ±.1 [2.54] .XX = ±.01 [.25] .XXX = ±.005 [.13]  ANGULAR TOLERANCES: ALL = ± 1°  PROJECTION	APPROVALS DRAWN BY BPUCHASKI	DATE 10/03/2018		50 HIGH STREET NORTH ANDOVER, MA 01845	
	CHECKED BY DFRISIELLO	10/03/2018		CATEGORY FIBER OPTICS	
	APPROVED BY DGUTTADAURO	10/03/2018	PRODUCT DESCRIPTION LC CPLR DUPLEX SHUTTERED, ZR SLEEVE FLNG MNT		
	COLOR VARIATIONS MAY OCCUR	SIZE <b>A</b>	FSCM NO. <b>43321</b>	DWG. NO. <b>FOA-805-BLU</b>	REV. <b>A</b>
SCALE: NONE		CAD FILE: FOA-805-BLU.SLDDRW		SHEET 1 OF 1	