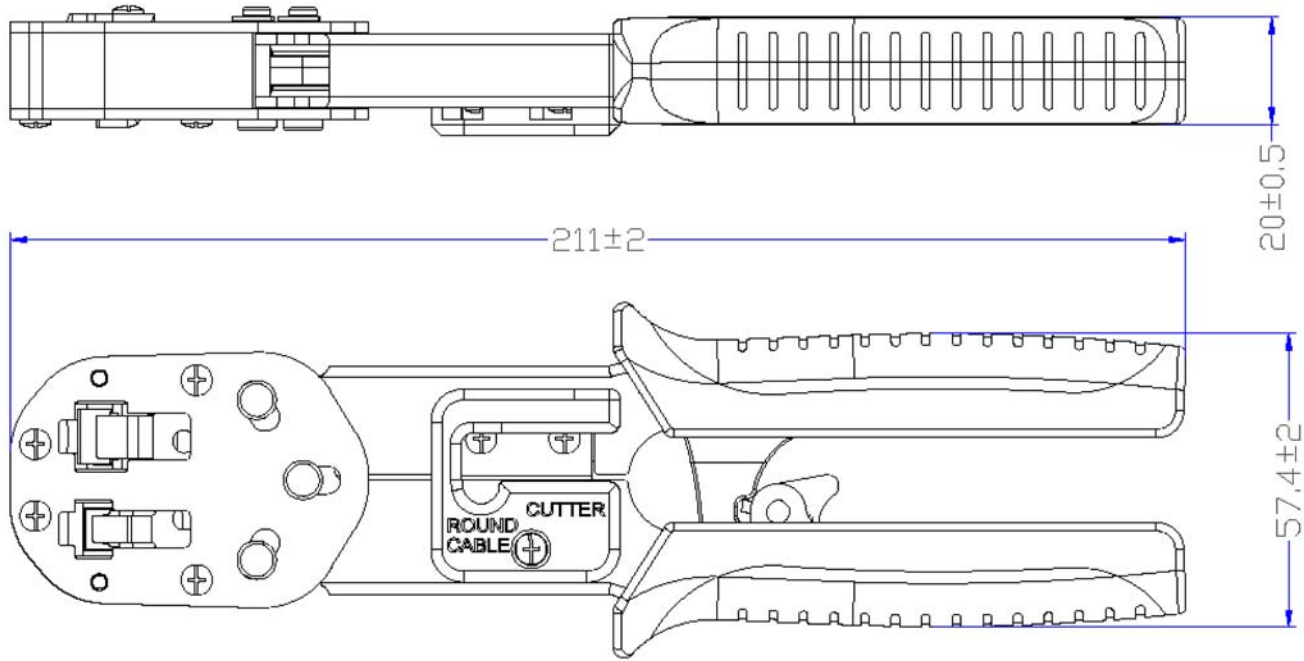


THE INFORMATION CONTAINED IN THIS DRAWING IS THE SOLE PROPERTY OF L-COM, INC. ANY REPRODUCTION IN PART OR WHOLE WITHOUT THE WRITTEN PERMISSION OF L-COM, INC. IS PROHIBITED.

REVISIONS			
REV	DESCRIPTION	DATE	APPROVED
A	REV A DRAWING RELEASED	09/20/2018	DFRISIELLO



NOTES:

1. ALL DIMENSIONS ARE FOR REFERENCE ONLY.
2. TOOL SHALL BE INDIVIDUALLY PACKAGED IN ACCORDANCE WITH L-COM SPECIFICATION PS-0031.

UNLESS OTHERWISE SPECIFIED, DIMENSIONS ARE IN INCHES [mm] OVERALL CABLE LENGTH TOLERANCE: ≤12 [305] = +1 [25] / -0 >12 [305] ≤60 [1524] = +2 [51] / -0 >60 [1524] ≤120 [3048] = +4 [102] / -0 >120 [3048] ≤300 [7620] = +6 [152] / -0 >300 [7620] = +5% / -0% ALL OTHER DIMENSIONAL TOLERANCES: .X = ±.2 [5.08] .XX = ±.02 [51] .XXX = ±.005 [1.27]	APPROVALS DRAWN BY DFRISIELLO CHECKED BY dguttadauro APPROVED BY dguttadauro	DATE 09/19/2018 09/20/2018 09/20/2018			50 HIGH STREET NORTH ANDOVER, MA 01845
	CONFIGURATION DETAILS OF UNDIMENSIONED FEATURES MAY VARY		CATEGORY TELECOM/MODULAR		
	COLOR VARIATIONS MAY OCCUR		PRODUCT DESCRIPTION Crimp & Cut Tool for RJ45 Pass-Through Plugs		
	PROJECTION 	SIZE A	FSCM NO. 43321	DWG. NO. HT-TDPT	REV. A
SCALE: NONE		CAD FILE: HT-TDPT.SLDDRW		SHEET 1 OF 1	