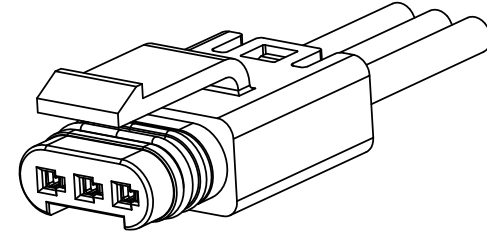


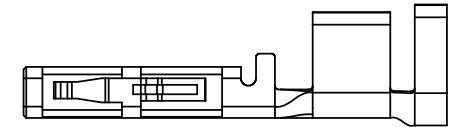
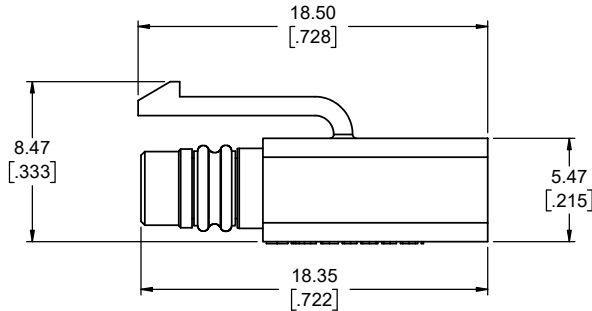
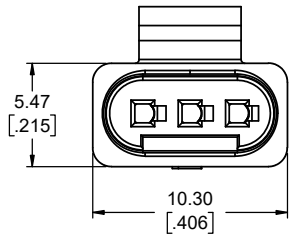
**PART NUMBER:** FLH - SX 1 - 00

**SERIES**  
FLH

**HOUSING TYPE**  
S2 = 2 SOCKET HOUSING  
S3 = 3 SOCKET HOUSING



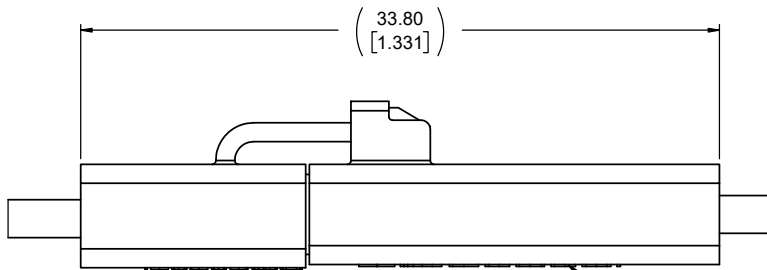
**APPLICATION VIEW  
WITH 3 CONTACTS  
AND WIRES INSTALLED**



**FLH-SC136-XXX - SOCKET CONTACT  
SEE NOTES 3 & 4  
SCALE 10:1**

**NOTES:**

- MATERIALS: ALL MATERIALS ARE RoHS COMPLIANT PER EU DIRECTIVE 2011/65/EU & AMENDMENTS
  - HOUSING: ENGINEERING THERMOPLASTIC, UL FLAMMABILITY RATING 94V-0, COLOUR BLACK
  - SEALS: SILICONE RUBBER
- ELECTRICAL CHARACTERISTICS
  - CURRENT RATING: 8A (18 AWG) OR 5A (20 AWG) OR 3A (22 AWG) PER CONTACT WHEN USING
  - 3 CONTACTS
  - DIELECTRIC WITHSTANDING VOLTAGE: 1800 VAC
  - INSULATION RESISTANCE: 500 MEGAOHMS
  - OPERATING TEMPERATURE: -40 °C TO +105 °C
- CRIMP WIRE TO CONTACT BEFORE ASSEMBLING INTO HOUSING.
- SOCKET CONTACTS TO BE PURCHASED SEPARATELY ON REEL. P/N: FLH-SC136-XXX



SOCKET CONNECTOR  
FLH-SX1-00

**MATED ASSEMBLY VIEW**

PIN CONNECTOR  
FLH-PX1-00

**AMPHENOL PART NUMBER: FLH-SX1-00**

UNLESS SPECIFIED OTHERWISE	DRAWN	B.COPPING	FEB20/18
PRIMARY UNITS MILLIMETERS	CHECKED	S.MUGAN	FEB20/18
SECONDARY INCHES	M.E. APPD		
REFERENCE IN PARENTHESES	Q.A. APPD		
GENERAL TOLERANCES	DWG APPR.		
1 DECIMAL PLACE	ENG. REL. NO.		
2 DECIMAL PLACES ±0.10	REF.		
3 DECIMAL PLACES	THIRD ANGLE PROJECTION		
ANGULAR DEGREES			

<b>Amphenol Canada Corp.</b>			
Commercial Products			
FLH SERIES, MINI SEALED 2.5mm PITCH SOCKET CONNECTOR HOUSING ASSEMBLY, 2 OR 3 CONTACT OPTIONS, RoHS COMPLIANT			
DWG. NO.	P-FLH-SX1-00		REV E
CODE ID NO.	03554	DWG SIZE: X	SCALE: 5:1
SHEET 1 OF 1			