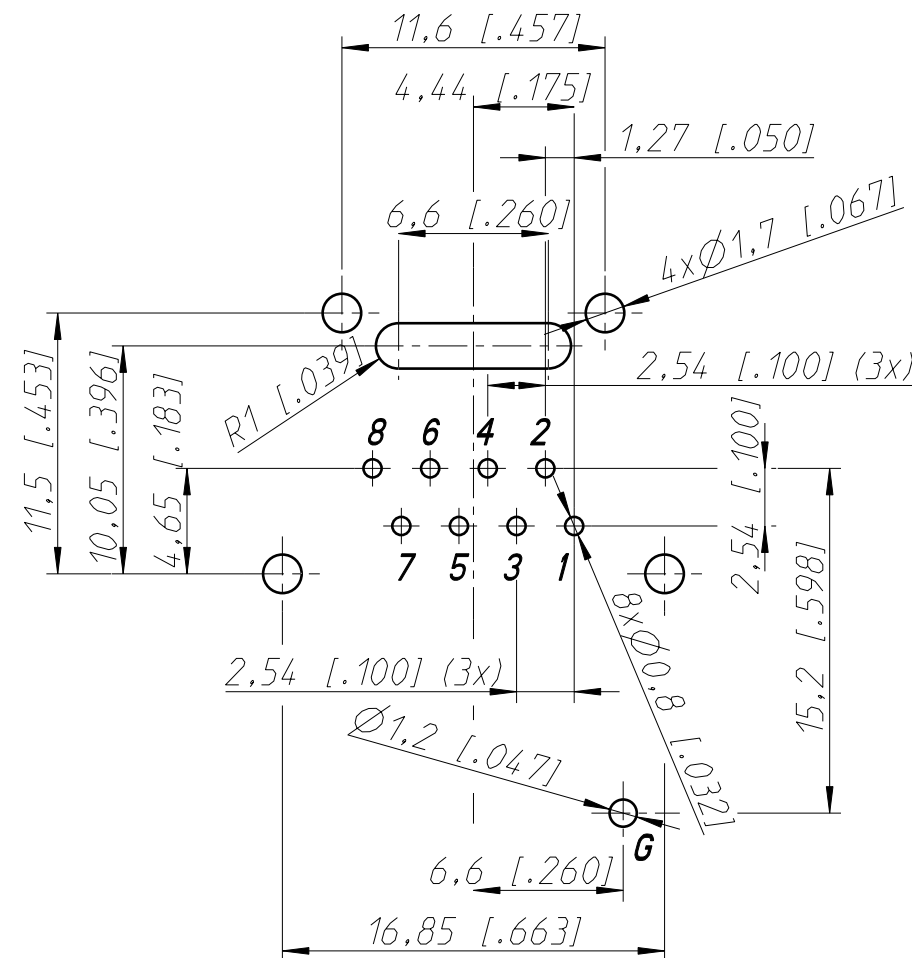
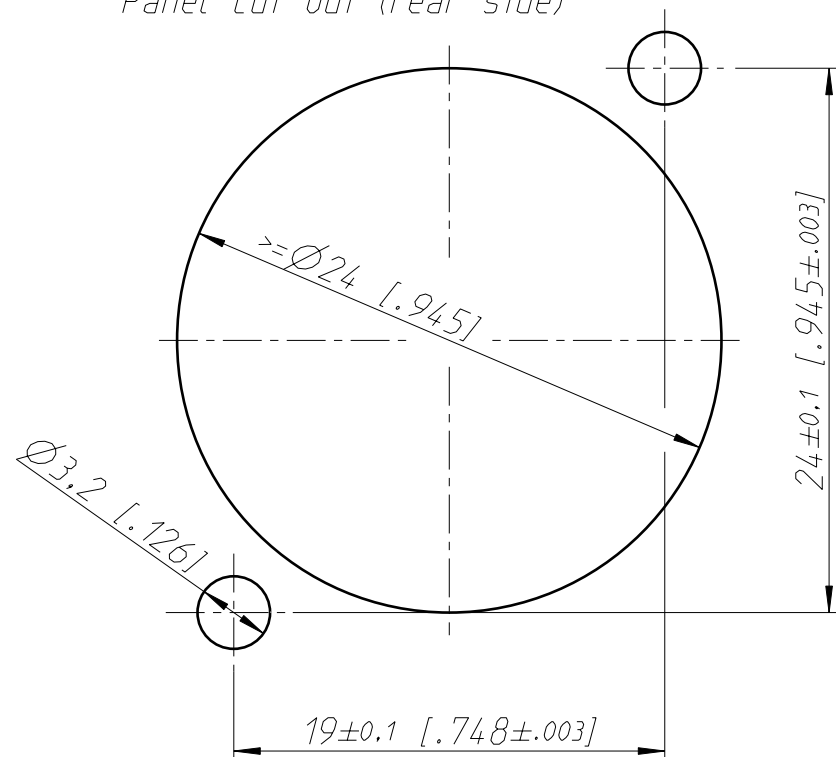


Frontplattenausschnitt (Rueckseite)
Panel cut out (rear side)



PCB-Layout (scale 3:1)
= contact arrangement seen
from backside
(view to the very right)

| | | | |
|---------------------------------------|----------|---------------|-----------|
| General tolerances ISO 2768-m | Scale | Date | Name |
| Refer to protection notice ISO 16016. | 3:2 (A3) | 11.10.17 | Ender |
| Name | | Modified | - |
| | | Change-No. | Sheet-No. |
| | | - | 1 / 1 |
| Replacement for: | | Drawing-No. | |
| NE8FDV-TOP | | ST-NE8FDV-TOP | |
| NEUTRIK | | | |