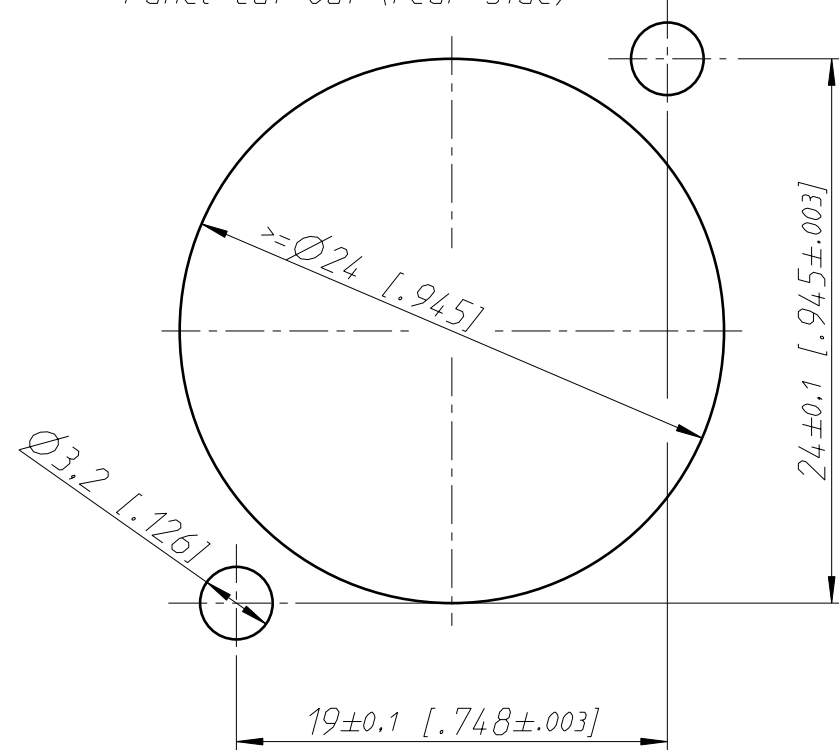


Frontplattenausschnitt (Rueckseite)
Panel cut out (rear side)



General tolerances ISO 2768-m	Scale	Date	Name
Refer to protection notice ISO 16016.	3:2 (A3)	11.10.17	Ender
Name		Modified	-
NE8FDP-TOP		Change-No.	Sheet-No.
		-	1 / 1
		Replacement for:	
		Drawing-No.	ST-NE8FDP-TOP
NEUTRIK			