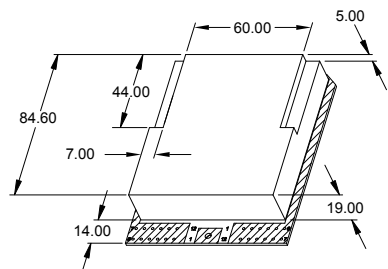
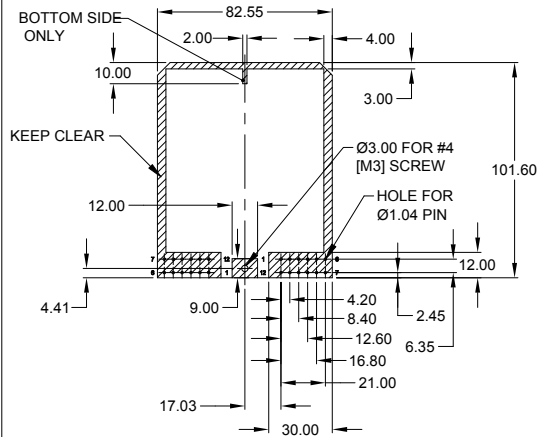


CIRCUIT BOARD HOLD LOCATIONS  
AND KEEP CLEAR AREAS FOR  
ATM13-12PX-12PX  
ALL DIMENSIONS REFERENCE  
TOP VIEW



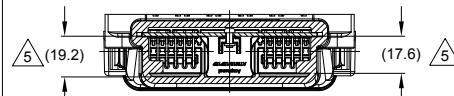
THREE DIMENSIONAL SPACE LIMIT  
APPROXIMATE INTERNAL SPACE  
FOR COMPONENT SPACE LAYOUT  
MAX. COMPONENT HEIGHT UNDER BOARD 2.00 mm.

NOTES: UNLESS OTHERWISE SPECIFIED

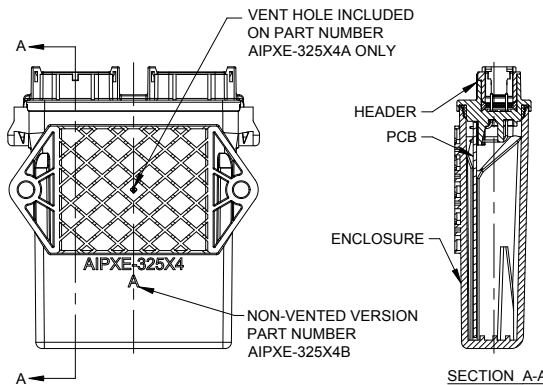
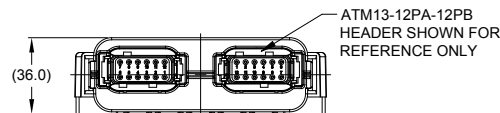
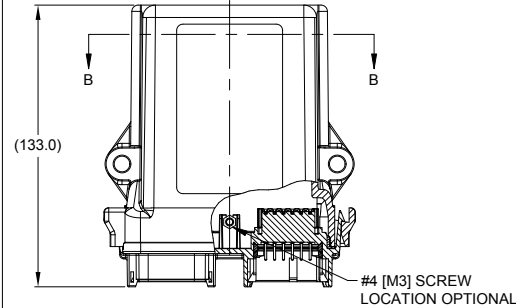
- MATERIAL: THERMOPLASTIC, BLACK
- THIS ENCLOSURE MATED WITH ATM13-12PX-12PX HEADER.(X= A,B,C,D KEYS)
- RoHS COMPLIANT
- ALL DIMENSIONS ARE FOR REFERENCE USE ONLY.

△ MAXIMUM COMPONENT HEIGHT DEPENDS ON LOCATION DUE TO PART DRAFT AND RIBS.

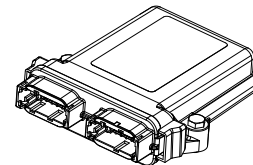
ASSEMBLED HEADER SHOWN FOR REFERENCE



SECTION B-B



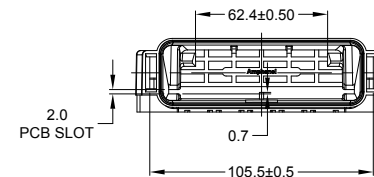
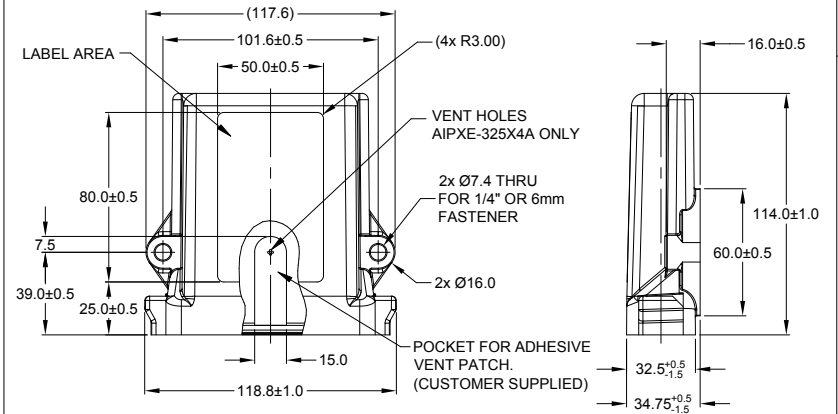
SECTION A-A



3D VIEW  
ATM13-12PX-12PX HEADER AND MOUNTING  
HARDWARE SHOWN FOR REFERENCE

REVISIONS

REV	ECO	DESCRIPTION	DATE	BY	APPR
A1	-	RELEASE NEW DRAWING	06NOV18	SULLEN	TOMMY



AIPXE-325X4X		DESCRIPTION		ITEM
QUANTITY	PART NUMBER	MATERIALS LIST		
UNLESS OTHERWISE SPECIFIED		SIGNATURES		DATE
1) All dimensions are in metric (mm).		DRAWN: SULLENZHANG		06NOV18
2) Tolerances are as follows:		CHECKED: ORIONLI		06NOV18
1 PL DEC ±0.30		ENGINEER:		
2 PL DEC ±0.15		APPROVAL: TOMMYXIE		06NOV18
3 PL DEC ±0.08		CUSTOMER:		
3) Note reference = △		MATERIAL SPECIFICATIONS:		
PROCESS SPECIFICATIONS:		THIS DRAWING IS SUPPLIED FOR INFORMATION ONLY. DESIGN FEATURES, SPECIFICATIONS AND PERFORMANCE DATA SHOWN HEREON ARE THE PROPERTY OF THE AMPHENOL CORPORATION. NO RIGHTS OF REPRODUCTION ARE IMPLIED. ALL DIMENSIONS ARE SUBJECT TO NORMAL MANUFACTURING VARIATIONS.		
NEXT ASSY:		SCALE: NONE		
		SIZE TYPE DWG NO.		REVISION
		B C- AIPXE-325X4X		A1
		SHEET 1 OF 1		

**Amphenol**

Sine Systems - www.amphenol-sine.com  
44724 Morley Drive  
Clinton Township, MI 48036

ATM EEC PCB ENCLOSURE,  
SHOWN WITH 24 PIN HEADER

TITLE: ATM EEC PCB ENCLOSURE SHOWN WITH 24 PIN HEADER

DWG NO: AIPXE-325X4X

REV: A1

SH: 1

OF: 1