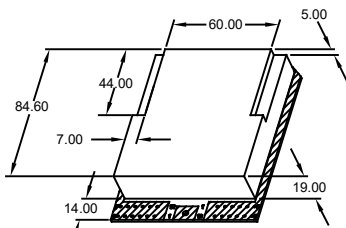
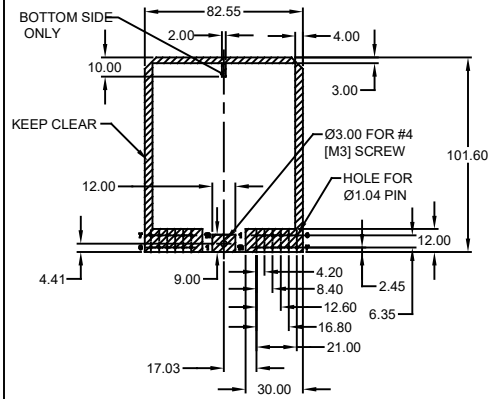
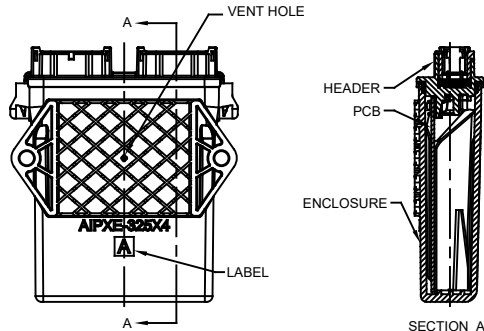
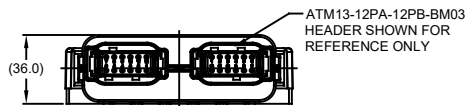
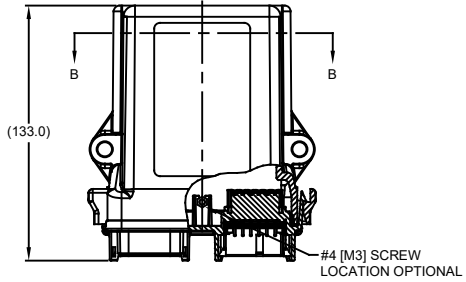
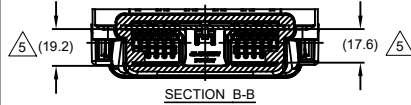


CIRCUIT BOARD HOLD LOCATIONS
AND KEEP CLEAR AREAS FOR
ATM13-12PX-12PX-BM01
ATM13-12PX-12PX-BM03
ALL DIMENSIONS REFERENCE
TOP VIEW



THREE DIMENSIONAL SPACE LIMIT
APPROXIMATE INTERNAL SPACE
FOR COMPONENT SPACE LAYOUT
MAX. COMPONENT HEIGHT UNDER BOARD 2.00 mm.

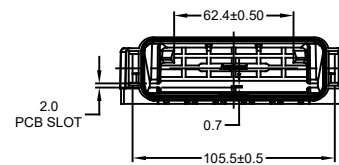
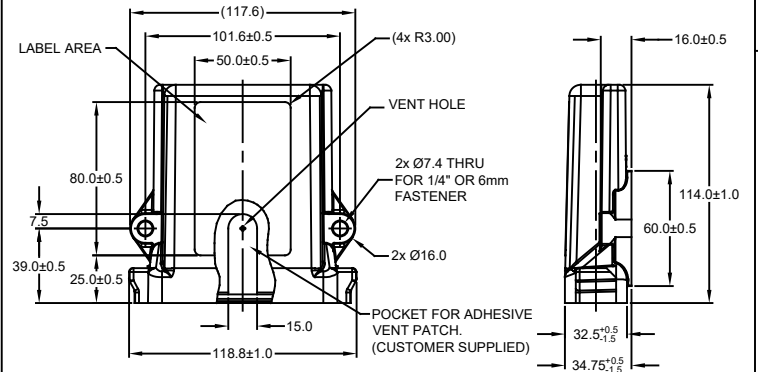
ASSEMBLED HEADER SHOWN FOR REFERENCE



SECTION A-A

REVISIONS

REV	ECO	DESCRIPTION	DATE	BY	APPR
A1	-	RELEASE NEW DRAWING	06NOV18	SULLEN	TOMMY
A2	-	UPDATED DRAWING	18FEB19	SULLEN	TOMMY



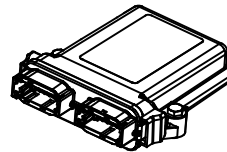
PART NUMBER CHART

LABEL	VENT HOLE	PART NUMBER
A	WITH VENT HOLES	AIPXE-325X4A-E016
B	WITHOUT VENT HOLES	AIPXE-325X4B-E016

NOTES: UNLESS OTHERWISE SPECIFIED

- MATERIAL: NATURAL ULTEM
- THIS ENCLOSURE MATED WITH ATM13-12PX-12PX-BM0* HEADER. (X= A,B,C,D KEYS, *ALL MODIFICATIONS)
- RoHS COMPLIANT
- ALL DIMENSIONS ARE FOR REFERENCE USE ONLY.

△5: MAXIMUM COMPONENT HEIGHT DEPENDS ON LOCATION DUE TO PART DRAFT AND RIBS.



3D VIEW
ATM13-12PX-12PX-BM01 AND
ATM13-12PX-12PX-BM03 HEADER AND MOUNTING
HARDWARE SHOWN FOR REFERENCE

QUANTITY	PART NUMBER	DESCRIPTION	ITEM
SEE PART NUMBER CHART			
MATERIALS LIST			
UNLESS OTHERWISE SPECIFIED: 1) All dimensions are in metric (mm). 2) Tolerances are as follows: 1 PL DEC ±0.30 2 PL DEC ±0.15 3 PL DEC ±0.08 Fractions ±1/64 Angles ±1°		SIGNATURES DATE DRAWN: SULLEN ZHANG 18FEB19 CHECKED: ORION LI 18FEB19 ENGINEER: APPROVAL: TOMMY XIE 18FEB19	
MATERIAL SPECIFICATIONS:		CUSTOMER:	
PROCESS SPECIFICATIONS:		THIS DRAWING IS SUPPLIED FOR INFORMATION ONLY. DESIGN FEATURES, SPECIFICATIONS AND PERFORMANCE DATA SHOWN HEREON ARE THE PROPERTY OF THE AMPHENOL CORPORATION. NO RIGHTS OF REPRODUCTION ARE IMPLIED. ALL DIMENSIONS ARE SUBJECT TO NORMAL MANUFACTURING VARIATIONS.	
NEXT ASSY:		SCALE: NONE	
		<p style="text-align: center;">Amphenol</p> <p style="text-align: center;">Sine Systems - www.amphenol-sine.com 44724 Morley Drive Clinton Township, MI 48036</p> <p style="text-align: center;">ATM EEC PCB ENCLOSURE, SHOWN WITH 24 PIN HEADER</p>	
		SIZE: B C-	REVISION: A2
		DWG NO: AIPXE-325X4A-E016	
		SHEET 1 OF 1	

TITLE: ATM EEC PCB ENCLOSURE SHOWN WITH 24 PIN HEADER
DWG NO: AIPXE-325X4A-E016
REV: A2
SH: 1
OF: 1