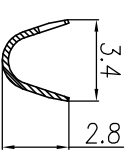
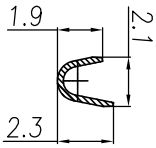
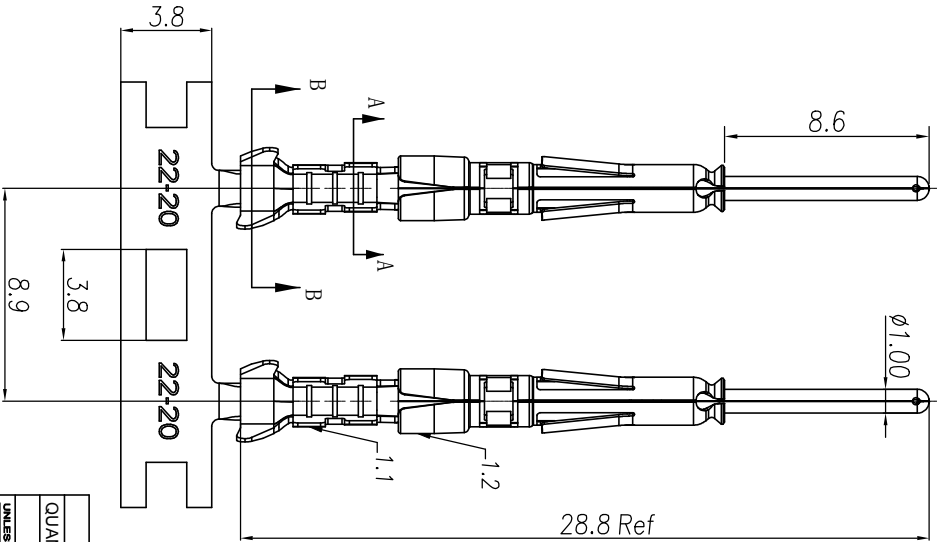


CONTACT ORIENTATION ON ROLL

NOTES : (UNLESS OTHERWISE SPECIFIED)

1. MATERIAL :
  - 1.1. CONTACT BODY : COPPER ALLOY.
  - 1.2. OUTER SPRING : STAINLESS STEEL.
2. SPECIFICATIONS :
  - 2.1 CURRENT RATING : 5A MAX.
  - 2.2 TERMINATION TYPE : CRIMPING.
  - 2.3 WIRE RANGE : 22~20AWG.
  - 2.4 WIRE INSULATION DIA(MAX) :  $\phi$ 2.6mm.
3. ROHS COMPLIANT.
4. ALL DIMENSIONS ARE FOR REFERENCE USE ONLY.
5. AVAILABLE TOOLS :
  - 5.1 HAND CRIMPER : MFX-3954.
  - 5.2 CRIMP APPLICATOR : MFX-3957.
  - 5.3 EXTRACTION TOOL : QXRT20.

P/N	CONTACT PLATING(MATING AREA)
SP20W2T	TIN PLATING OVER NICKEL.
SP20W2N	NICKEL PLATING OVER COPPERIZE.
SP20W2F	GOLD FLASH PLATING OVER NICKEL.
SP20W2G5	5 $\mu$ " GOLD PLATING OVER NICKEL.
SP20W2G10	10 $\mu$ " GOLD PLATING OVER NICKEL.
SP20W2G15	15 $\mu$ " GOLD PLATING OVER NICKEL.
SP20W2G30	30 $\mu$ " GOLD PLATING OVER NICKEL.



REVISIONS					
REV	ECO	DESCRIPTION	DATE	BY	APPR
A1	-	RELEASED DRAWING	Nov-9-17	Rookie	Tommy
A2	-	ADD THE GS PART NUMBER	Jan-28-19	Blirik	Tommy

QUANTITY	PART NUMBER	DESCRIPTION	ITEM

MATERIALS LIST

UNLESS OTHERWISE SPECIFIED	SIGNATURES	DATE
1) All dimensions are in metric (mm).	DRAWN: <b>Blirik</b>	Jan-28-19
2) Tolerances are as follows:	CHECKED: <b>Tid</b>	Jan-28-19
3) H. DEC 30-18	ENGINEER:	
4) H. DEC 30-18	APPROVAL: <b>Tommy</b>	Jan-28-19
5) Note reference = $\Delta$	CUSTOMER:	

PROCESS SPECIFICATIONS:	THIS DRAWING IS SUPPLIED FOR INFORMATION ONLY. DESIGN FEATURES SHOWN HEREON ARE THE PROPERTY OF SINE SYSTEMS. NO RIGHTS OR DIMENSIONS ARE SUBJECT TO NORMAL MANUFACTURING VARIATIONS.
NEAT ASBY:	

ECO-MATE-PIN CONTACT, STAMPED, 20-22AWG, SIZE 20	SIZE	TYPE	DWG NO.	REVISION
	B	C-	SP20W2XX	A2

**Amphenol**  
Sine Systems - www.amphenol-sine.com  
44724 Morley Drive  
Clinton Township, MI 48036

A2