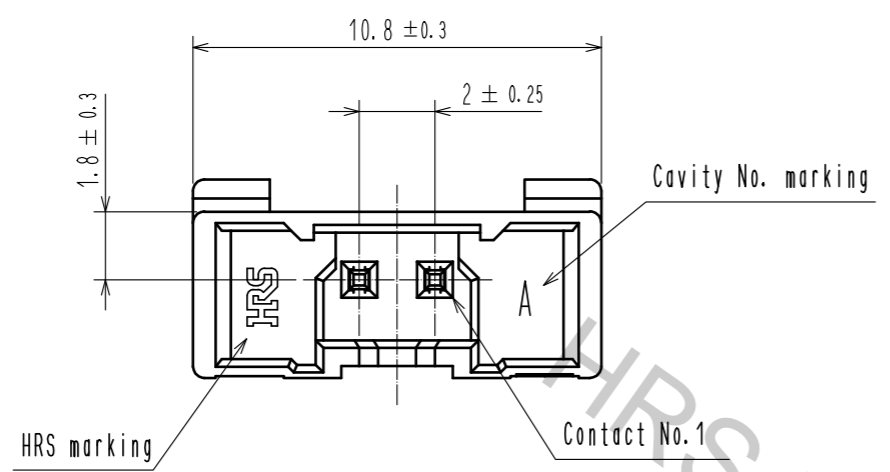
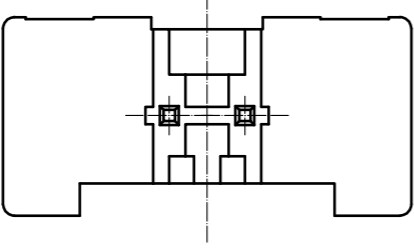
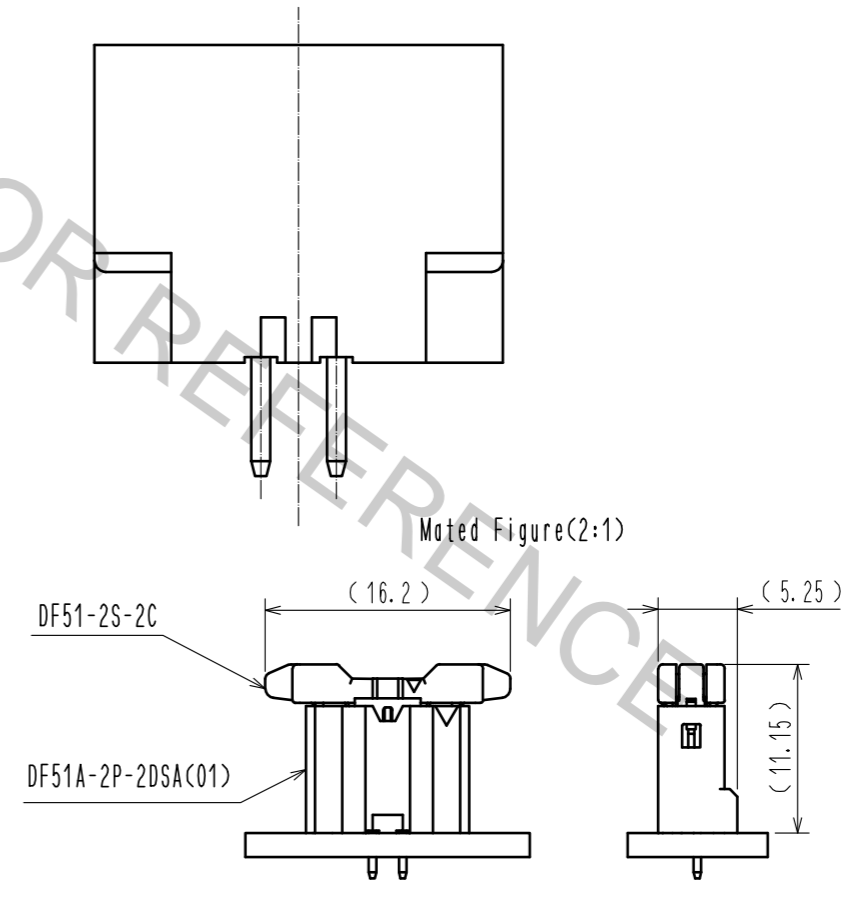
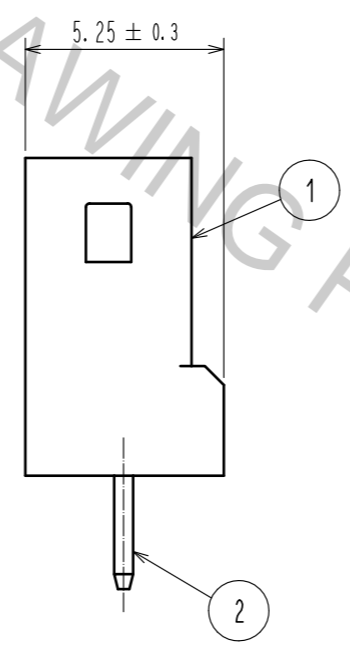
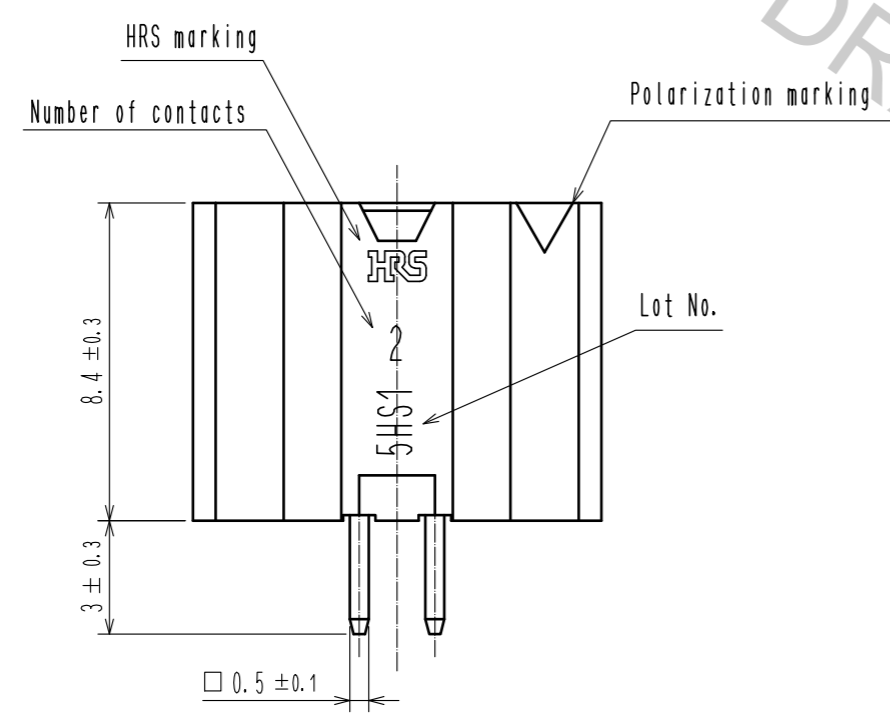
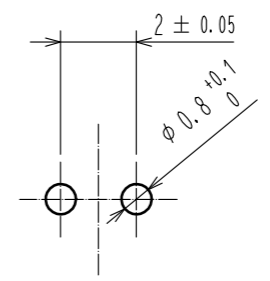


Mar.1.2019 Copyright 2019 HIROSE ELECTRIC CO., LTD. All Rights Reserved.
 In case that the application demands a high level of reliability, such as automotive,
 please contact a company representative for further information.



RECOMMENDED PATTERN(FREE)
 (BOARD THICKNESS t=1.6mm)



Note 1. Per pack : 100 Pieces.
 2. The dimension parenthesis are for reference.
 3. UL<File No.E52653>.
 C-UL<File No.E52653> authorization article.



1	PBT	UL94V-0, BLACK	2	BRASS	SURFACE:AU PLATING 0.1μm MIN UNDER PLATING:NICKEL PLATING 0.5μm MIN
NO.	MATERIAL	FINISH, REMARKS	NO.	MATERIAL	FINISH, REMARKS
UNITS mm		SCALE 5 : 1	COUNT 1	DESCRIPTION OF REVISIONS DIS-H-00004512	DESIGNED TS.MIYAKI
APPROVED : HS. OKAWA		20180320	DRAWING NO. EDC-363914-01-00		
CHECKED : ST. WADA		20180320	PART NO. DF51A-2P-2DSA(C01)		
DESIGNED : TH. SATO		20180320	CODE NO. CL543-5105-0-01		
DRAWN : TH. SATO		20180320	1/1		