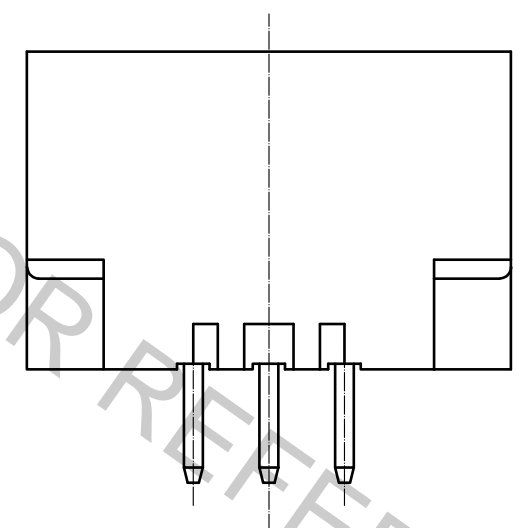
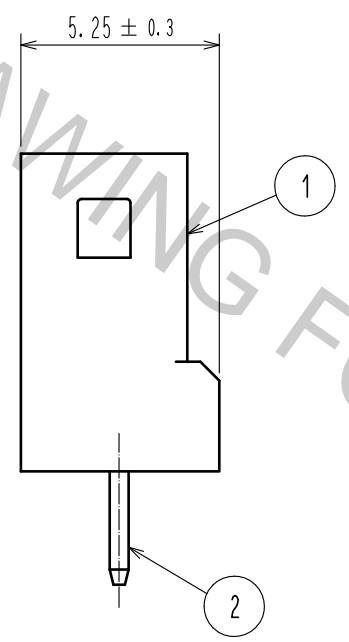
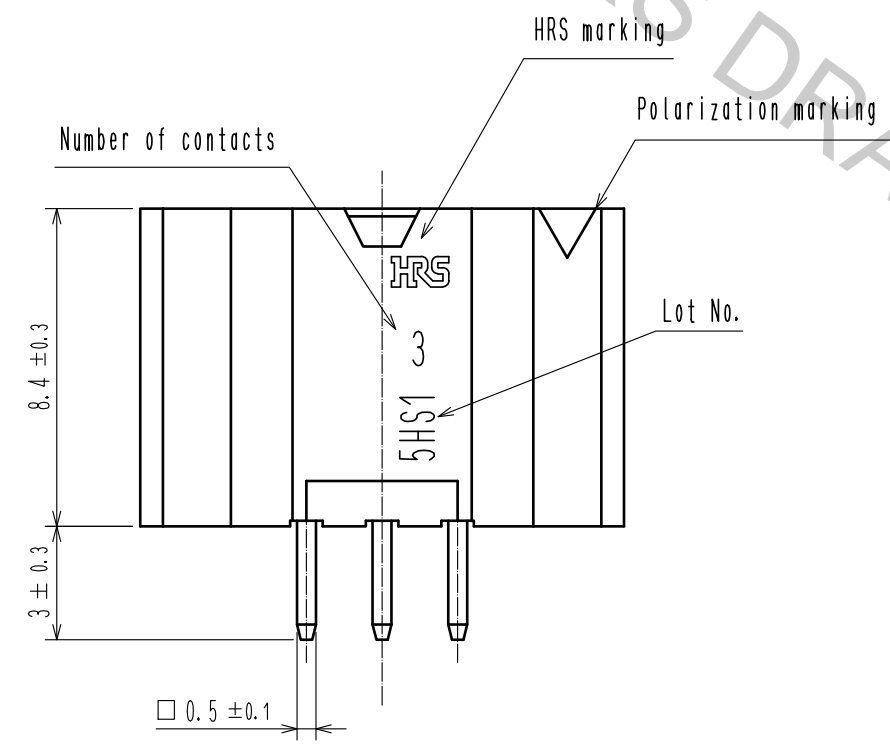
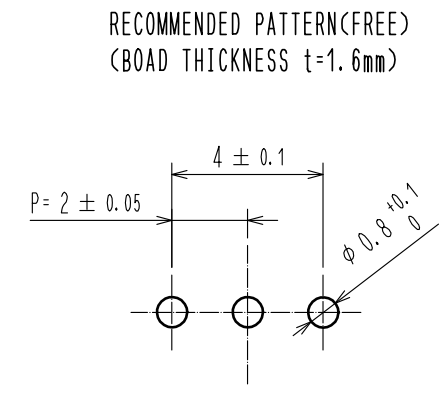
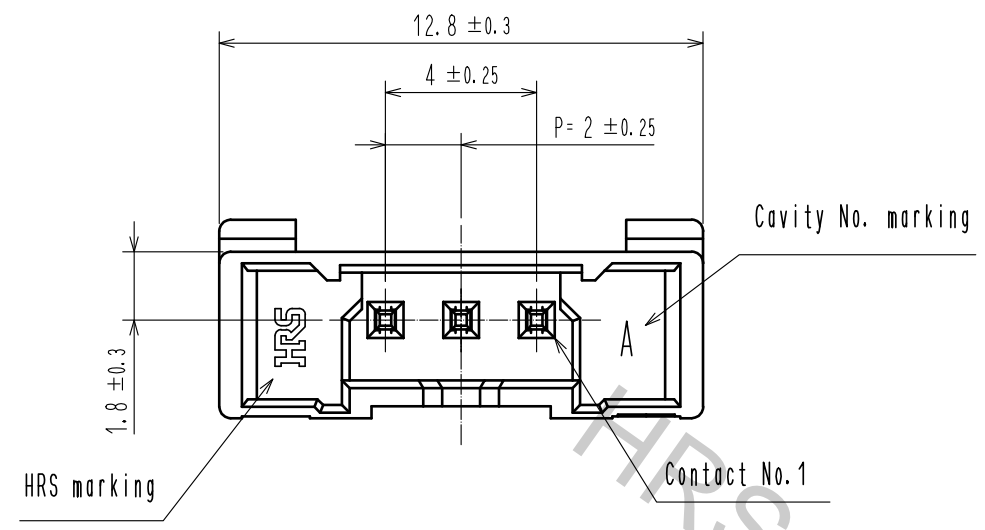
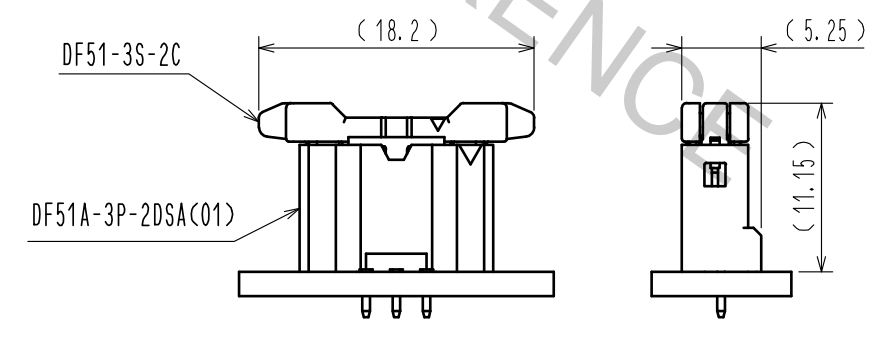


Mar.1.2019 Copyright 2019 HIROSE ELECTRIC CO., LTD. All Rights Reserved.
 In case that the application demands a high level of reliability, such as automotive,
 please contact a company representative for further information.



MATING FIGURE (2:1)



Note 1. Per pack : 100 Pieces.
 2. The dimension parenthesis are for reference.
 3. UL(File No. E52653).
 C-UL(File No. E52653) authorization article.



1	PBT	UL94V-0, BLACK	2	BRASS	SURFACE: Au PLATING 0.1 μm MIN UNDER PLATING: NICKEL PLATING 0.5 μm MIN
NO.	MATERIAL	FINISH, REMARKS	NO.	MATERIAL	FINISH, REMARKS
UNITS mm		SCALE 5 : 1	COUNT 1	DESCRIPTION OF REVISIONS DIS-H-00004512	DESIGNED TS. MIYAKI
		APPROVED : HS. OKAWA	20170602	DRAWING NO. EDC-363915-01-00	
		CHECKED : ST. WADA	20170602	PART NO. DF51A-3P-2DSA(01)	
		DESIGNED : TH. SATO	20170601	CODE NO. CL543-5106-0-01	
		DRAWN : TH. SATO	20170601	1/1	