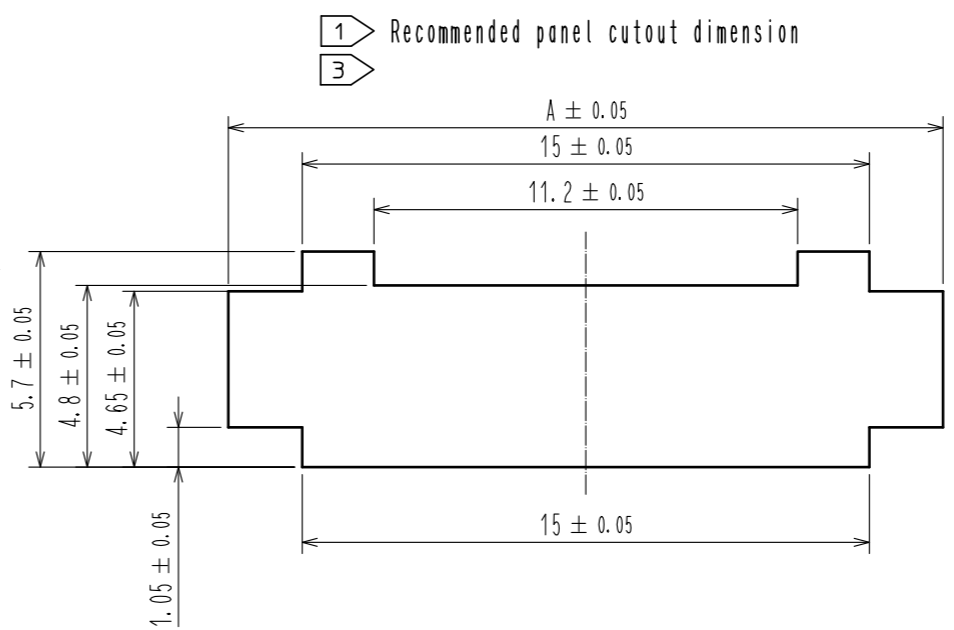
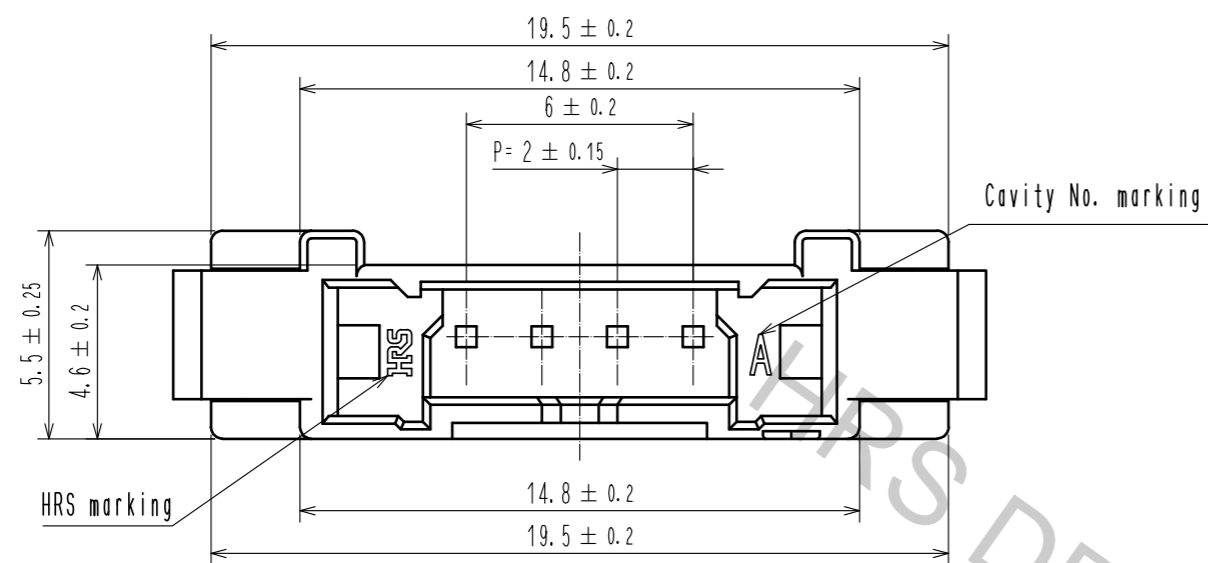
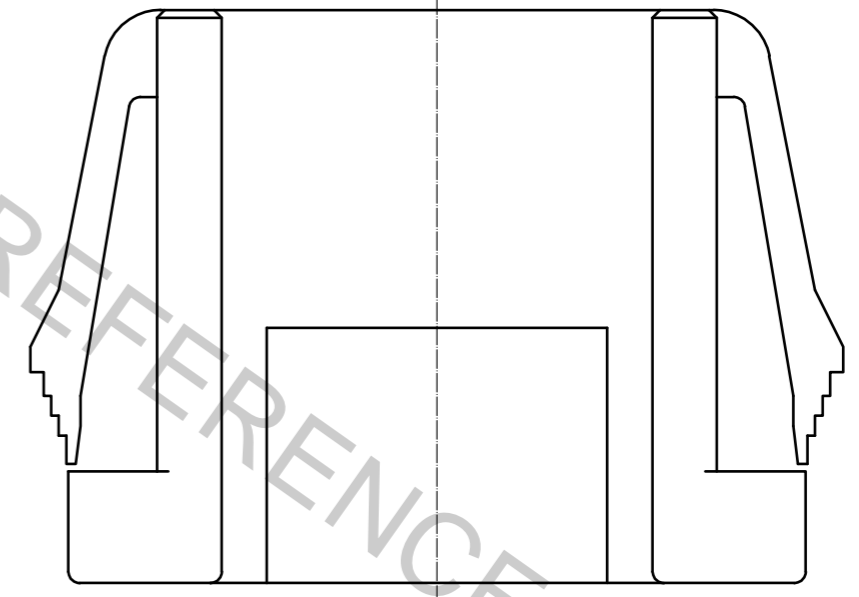
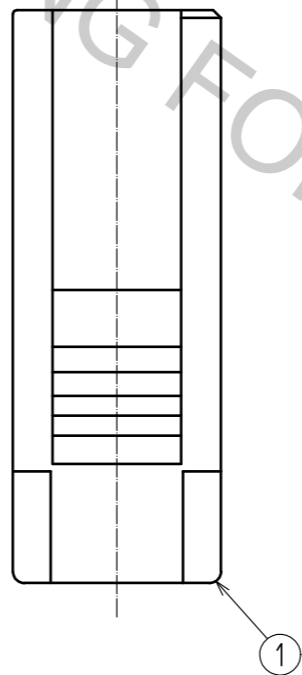
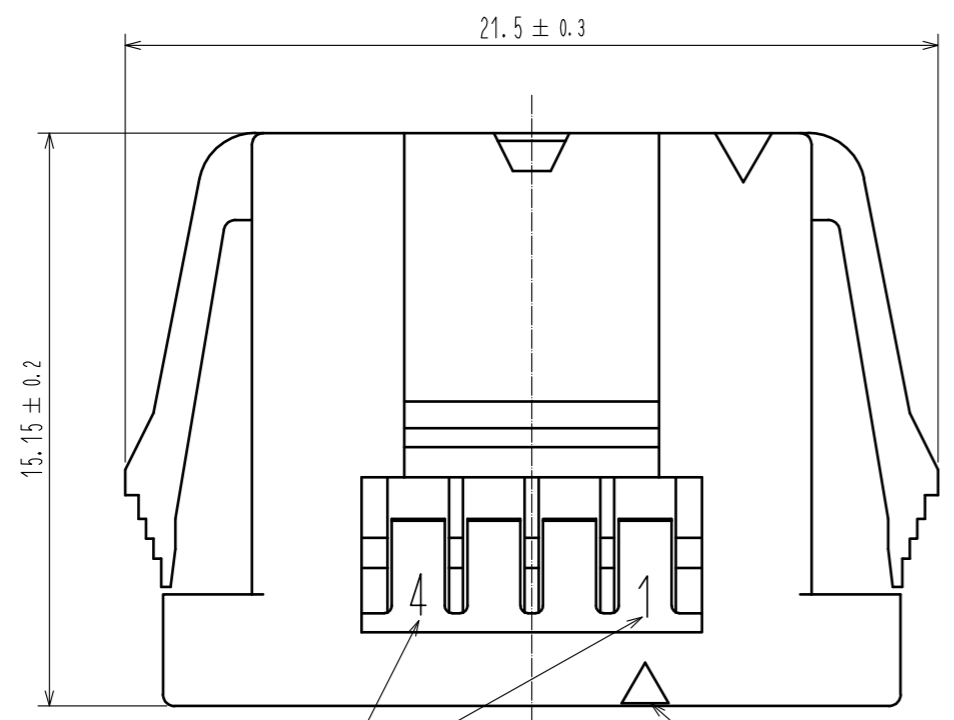


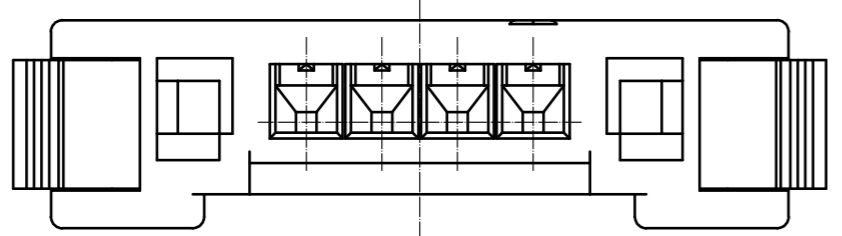
Mar.1.2019 Copyright 2019 HIROSE ELECTRIC CO., LTD. All Rights Reserved.
 In case that the application demands a high level of reliability, such as automotive,
 please contact a company representative for further information.



Panel thickness	A
0.5~0.8	18.9
0.9~1.3	19.2
1.4~1.8	19.6
1.9~2.3	20.0



- Note
- 1 Please use non-radius side for the panel hooking area.
 - 2 Applicable panel thicknessing is 2.3 to 0.5 mm.
 - 3 Consult hirose for the other panel cutout designs than recommended one.
 - 4. Per pack : 100 pieces.
 - 5. UL(File No. E52653),
 C-UL(File No. E52653) authorization article



NO.	MATERIAL	FINISH . REMARKS	NO.	MATERIAL	FINISH . REMARKS		
			1	PBT	UL94V-0. BLACK		
UNITS mm		SCALE 5 : 1	COUNT 1	DESCRIPTION OF REVISIONS DIS-H-00004547	DESIGNED TS. MIYAKI	CHECKED SZ. ONO	DATE 20181225
HRS HIROSE ELECTRIC CO., LTD.		APPROVED : HS. OKAWA	20160601	DRAWING NO. EDC-366298-00-00			
		CHECKED : YN. TAKASHITA	20160601	PART NO. DF51-4EP-2C			
		DESIGNED : TT. OHSAKO	20160601	CODE NO. CL543-5127-0-00			
		DRAWN : TT. OHSAKO	20160601			1/1	