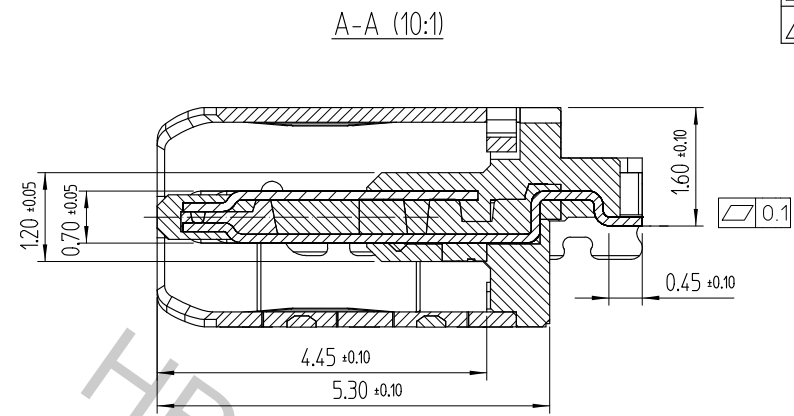
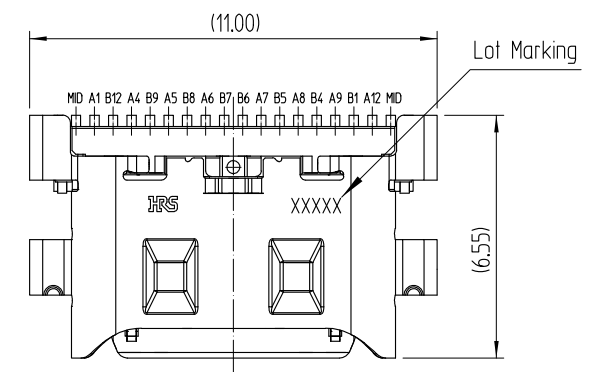
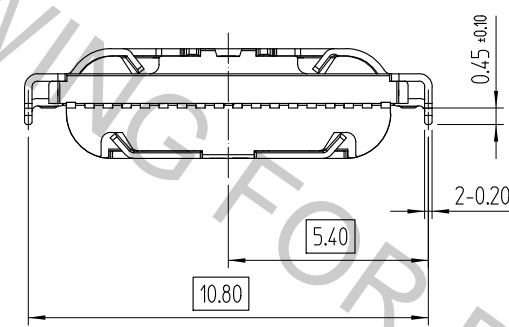
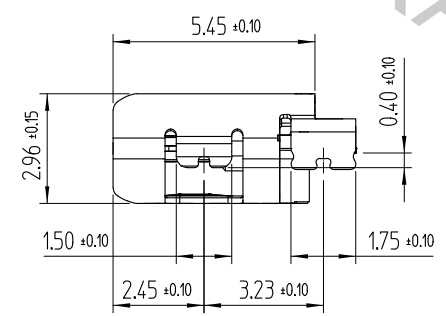
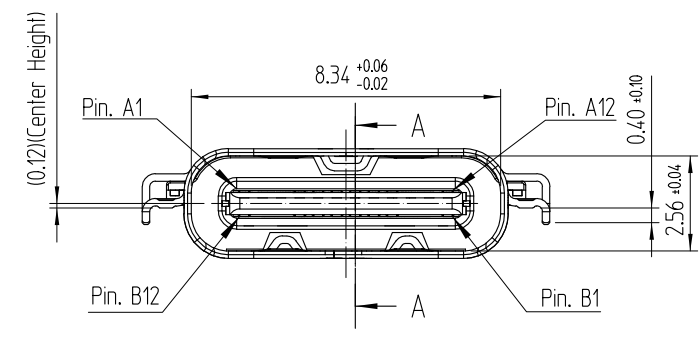
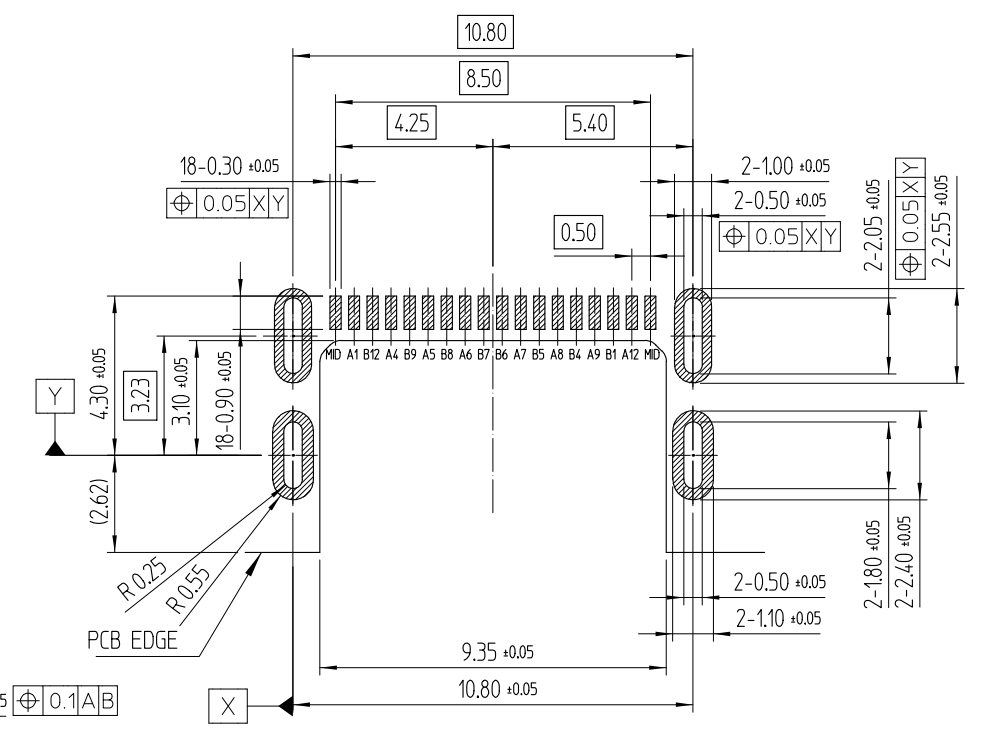


Mar.1.2019 Copyright 2019 HIROSE ELECTRIC CO., LTD. All Rights Reserved.
 In case that the application demands a high level of reliability, such as automotive,
 please contact a company representative for further information.

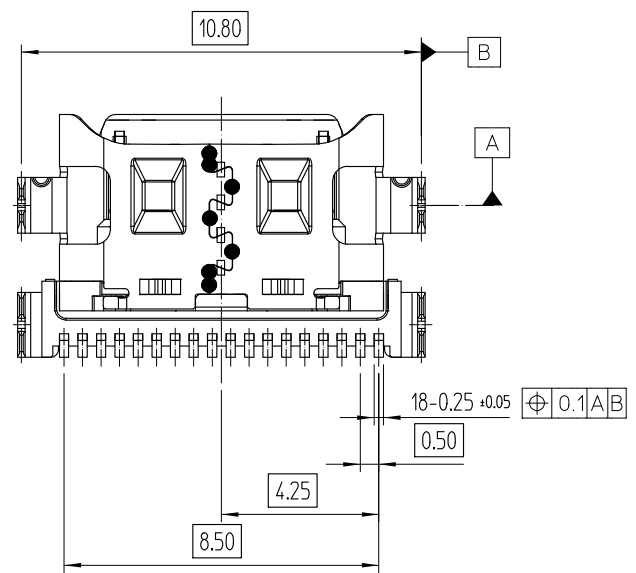
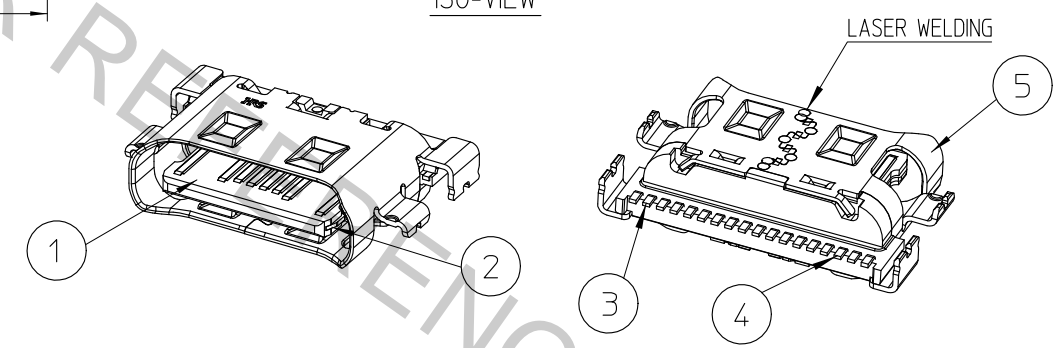
△數 COUNT	訂正事項 DISCRIPTION OF REVISIONS	擔當 B Y	檢圖 CHKD	年月日 DATE	△數 COUNT	訂正事項 DISCRIPTION OF REVISIONS	擔當 B Y	檢圖 CHKD	年月日 DATE
△1	- Revised	LSH	LHJ	18. 04. 09	△1				
△2	- Revised	LSH	LHJ	18. 06. 12	△1				
△3					△1				



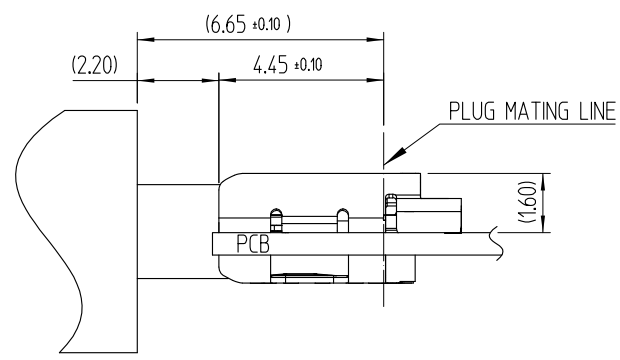
RECOMMENDED PCB LAYOUT (TOP-VIEW)
(REFERENCE ONLY)



ISO-VIEW



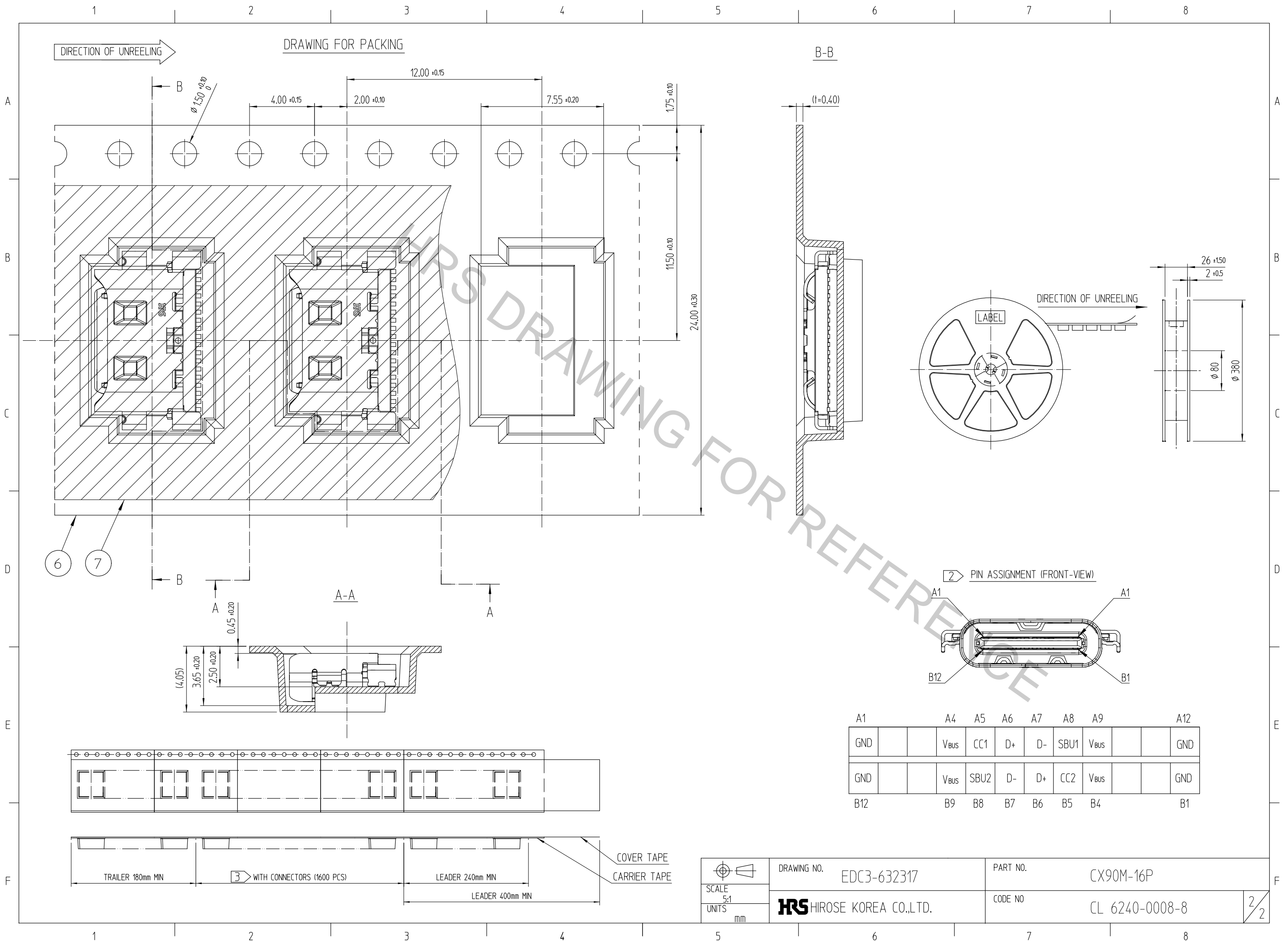
MATED CONDITION (REFERENCE ONLY)



- NOTE 1 LEAD CO-PLANARITY SHALL BE 0.1 MAX
 2 PIN ASSIGNMENT
 3 PACKING QUANTITY : 1,600 PCS/REEL

NO.	DESCRIPTION	MATERIAL	FINISH	REMARKS
7	COVER TAPE	PET	-	-
6	EMBOSS TAPE	PS	-	-
5	MAIN SHELL	STAINLESS STEEL	Ni1.25μm MIN	-
4	CONTACT 2nd	COPPER ALLOY	△Contact Area : Au0.05μm MIN OVER Pd-Ni0.75μm MIN OVER Ni2.0μm MIN Lead Area : Au0.05μm MIN OVER Ni2.0μm MIN	-
3	CONTACT 1st			-
2	MID PLATE	STAINLESS STEEL	Ni1.0μm MIN	-
1	INSULATOR	THERMOPLASTIC	UL94V-0, BLACK COLOR	-
CODE NO. (OLD)				RELEASED
DRAWN		DESIGNED	CHECKED	APPROVED
S.Y.PARK		S.Y.PARK	H.J.LEE	T.S.KANG
17.11.14		17.11.14	17.11.14	17.11.14
DRAWING NO. EDC3-632317		PART NO. CX90M-16P		
SCALE 5:1		CODE NO. CL 6240-0008-8		1/2
UNITS mm		HIROSE KOREA CO.,LTD.		

Mar.1.2019 Copyright 2019 HIROSE ELECTRIC CO., LTD. All Rights Reserved.
 In case that the application demands a high level of reliability, such as automotive,
 please contact a company representative for further information.



 SCALE 5:1 UNITS mm	DRAWING NO.	EDC3-632317	PART NO.	CX90M-16P
	HIROSE KOREA CO.,LTD.		CODE NO.	CL 6240-0008-8