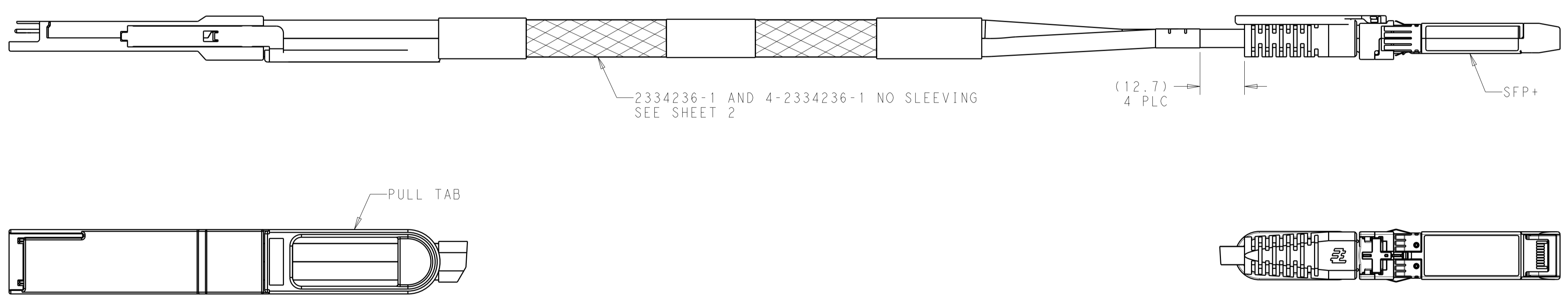
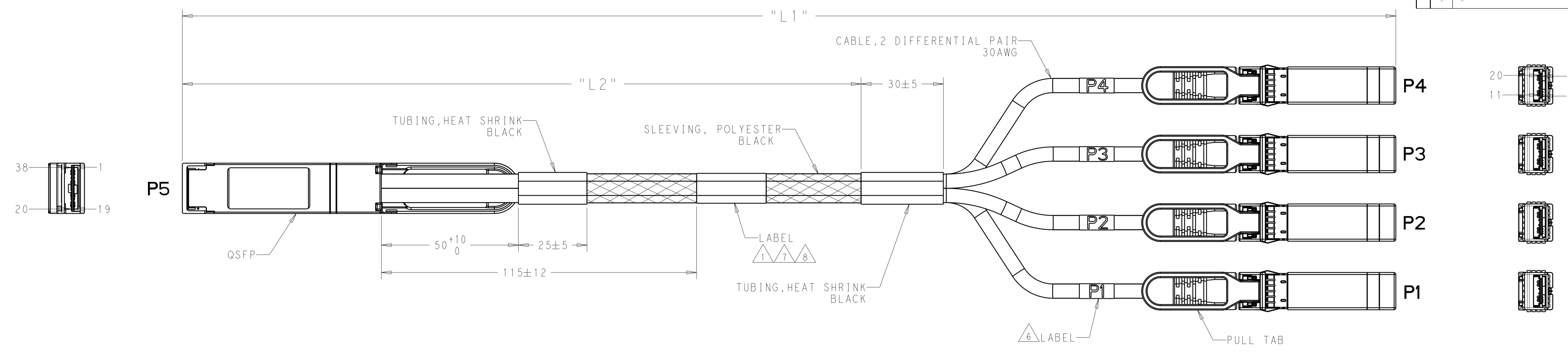
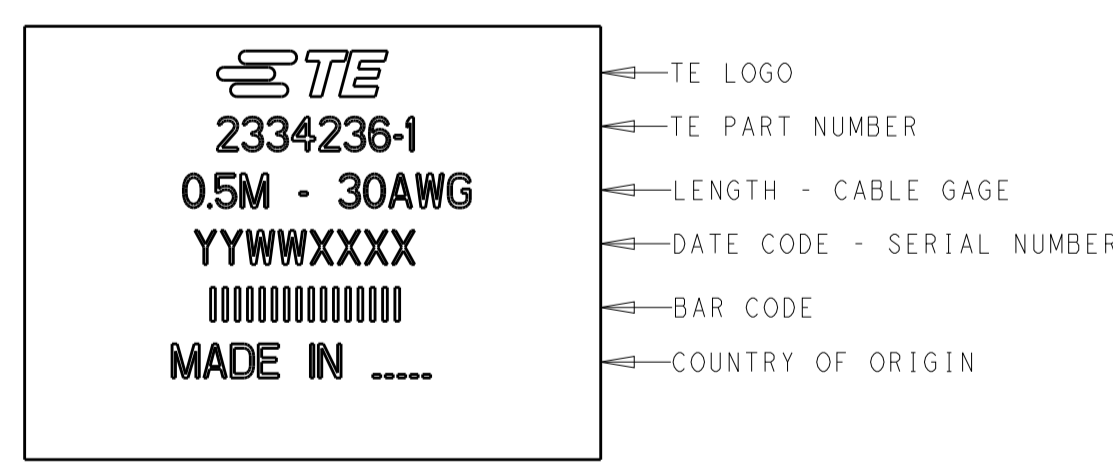


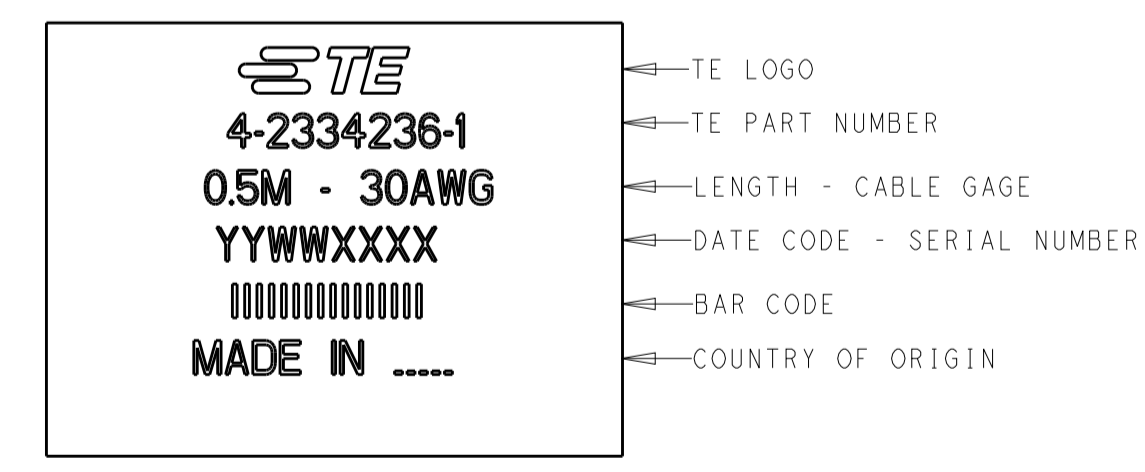
REVISIONS				
P	LTM	DESCRIPTION	DATE	OWN APVD
A		PER ECO-18-020143	31DEC2018	MY GF
-	-	-	-	-
-	-	-	-	-
-	-	-	-	-



△ LABEL INFORMATION FOR 25 GIG PNS (-1 THRU -6): -1 SHOWN



△ LABEL INFORMATION FOR 56 GIG PNS (-41 THRU -44): -41 SHOWN



△ DASH NUMBER 41 THRU 44 CONFORM TO 56G, PAM-4 IEEE802.3CD PERFORMANCE REQUIREMENTS.

- 2. SEE SHEET 2 FOR WIRING SCHEMATIC.
- 3. PRODUCT AND PROCESSING MUST MEET THE REQUIREMENTS OF TE SPECIFICATION TEC-138-702.
- 4. CABLE ASSEMBLY TO BE TESTED FOR OPENS, SHORTS AND PROPER EEPROM PROGRAM.
- △ 5 TEST IN ACCORDANCE WITH IEEE802.3bj.
- △ 6 LABEL INFORMATION: P1 SHOWN



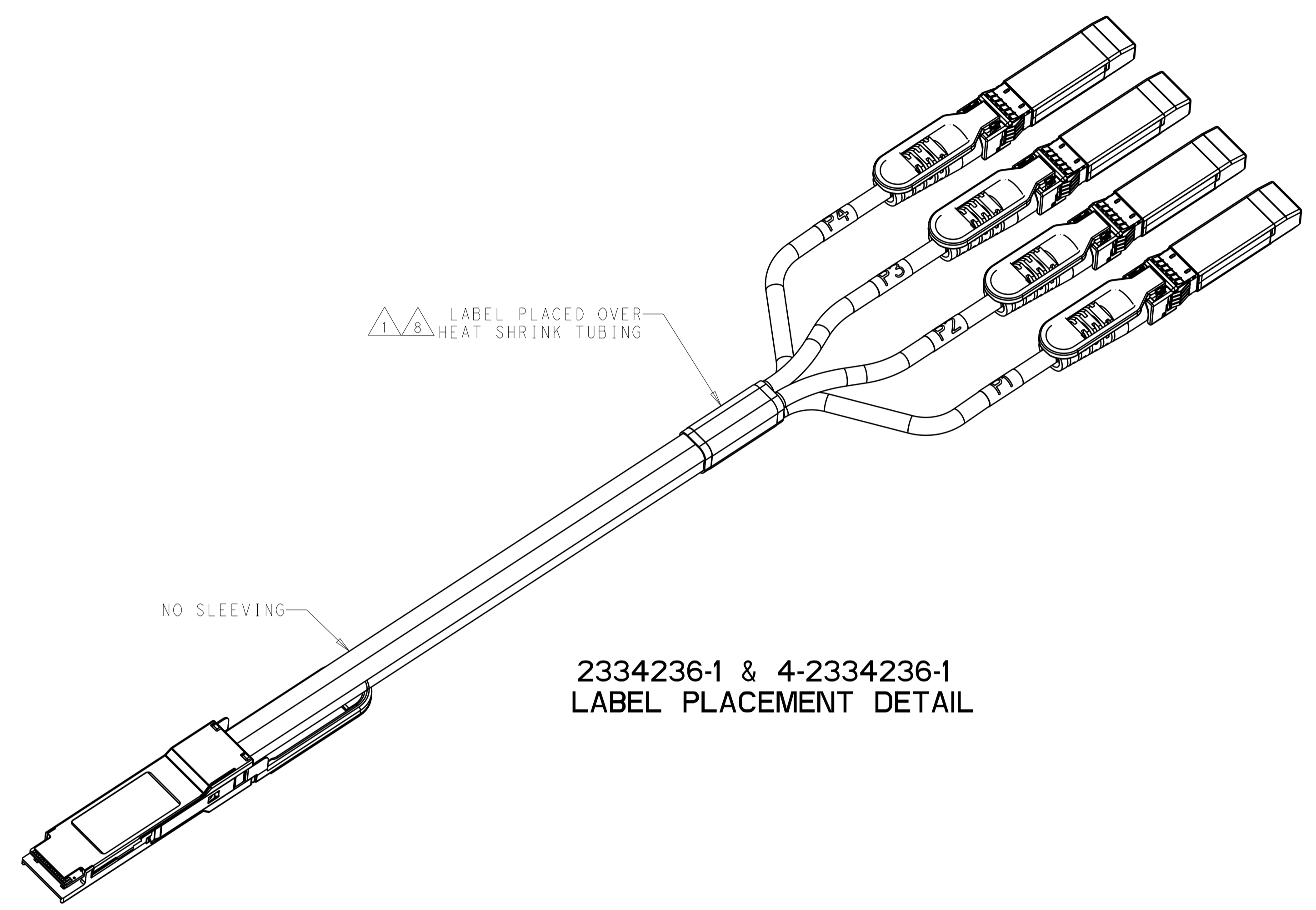
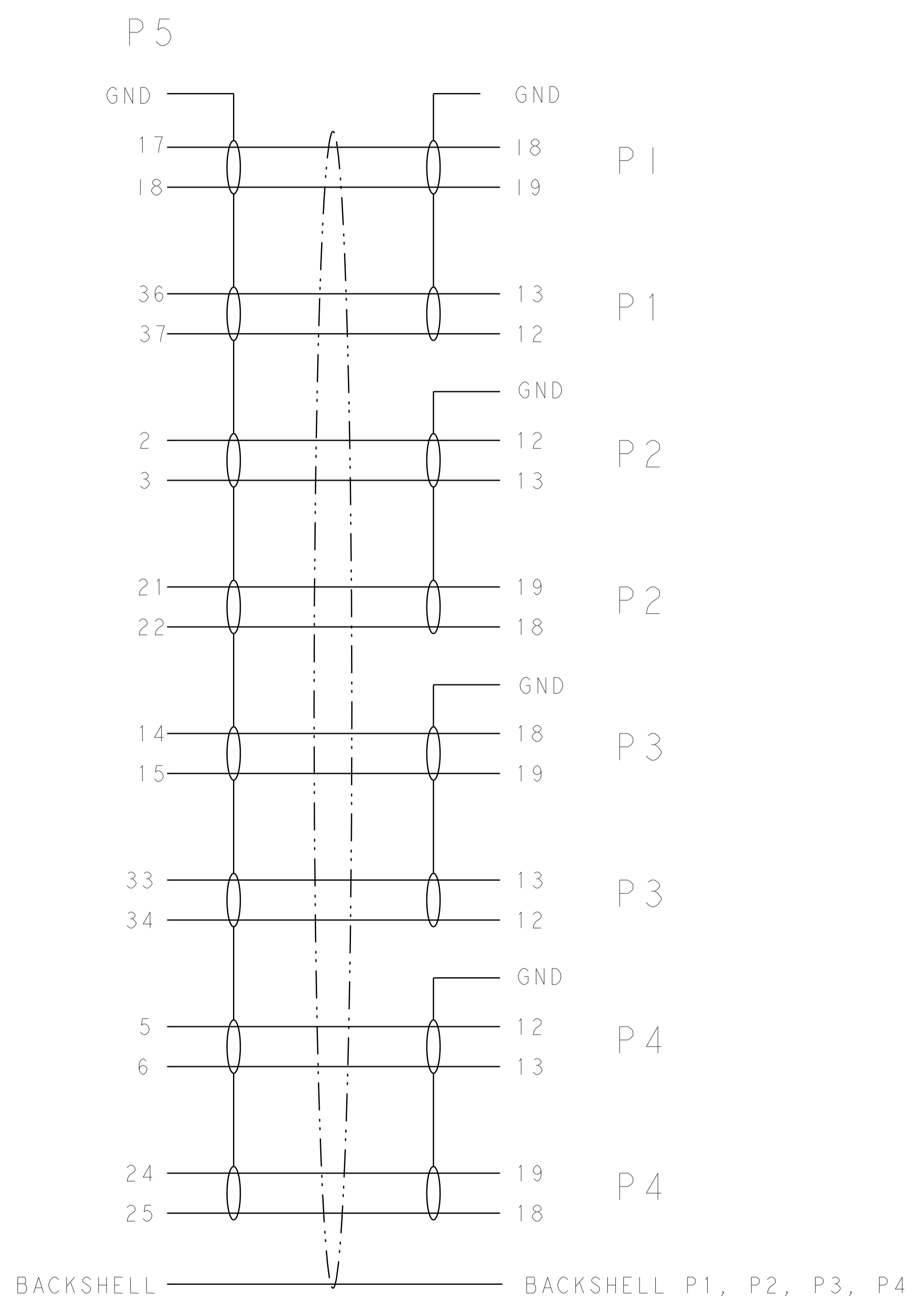
△ SEE SHEET 2 FOR 2334236-1 AND 4-2334236-1 LABEL PLACEMENT.

STANDARD	GAGE	"L2"		"L1"		PART NO
		30	700 ±25	2000 +80/-0	4-2334236-4	
△ 5	30	700 ±25	1500 +50/-0	4-2334236-3		
	30	330 ±25	1000 +50/-0	4-2334236-2		
	30	120 ±12	500 +50/-0	4-2334236-1		
	30	1000 ±25	3000 +80/-0	2334236-6		
	30	1000 ±25	2500 +80/-0	2334236-5		
	30	700 ±25	2000 +80/-0	2334236-4		
	30	500 ±25	1500 +50/-0	2334236-3		
	30	330 ±25	1000 +50/-0	2334236-2		
	30	120 ±12	500 +50/-0	2334236-1		

THIS DRAWING IS A CONTROLLED DOCUMENT.		OWN: Y1 11APR2018	TE Connectivity	
DIMENSIONS: mm		CHK: G. FRANKLIN 11APR2018		
TOLERANCES UNLESS OTHERWISE SPECIFIED:		APVD: G. FRANKLIN 11APR2018	NAME: CABLE ASSEMBLY, QSFP28 TO (4) SFP+	
0 PLC ±		PRODUCT SPEC	SIZE: CAGE CODE: DRAWING NO: RESTRICTED TO	
1 PLC ±		APPLICATION SPEC	A100779C=2334236	
2 PLC ±		WEIGHT	RESTRICTED CUSTOMER	
3 PLC ±		SCALE: 5:4	SHEET 1 OF 2	
4 PLC ±		REV: A		
ANGLES ±				
FINISH				

REVISIONS				
P.	LTN	DESCRIPTION	DATE	APVD



**2334236-1 & 4-2334236-1  
 LABEL PLACEMENT DETAIL**

THIS DRAWING IS A CONTROLLED DOCUMENT.		DWN M YI 11APR2018 CHK G. FRANKLIN 11APR2018 APVD G. FRANKLIN 11APR2018	<b>STE</b> TE Connectivity
DIMENSIONS: mm 	TOLERANCES UNLESS OTHERWISE SPECIFIED: 0 PLC ± 1 PLC ± 2 PLC ± 3 PLC ± 4 PLC ± ANGLES ± FINISH	NAME CABLE ASSEMBLY, QSFP28 TO (4) SFP+ PRODUCT SPEC APPLICATION SPEC SIZE CAGE CODE DRAWING NO A100779C=2334236	RESTRICTED TO
MATERIAL		WEIGHT RESTRICTED CUSTOMER	SCALE 3:2 SHEET 2 OF 2 REV A