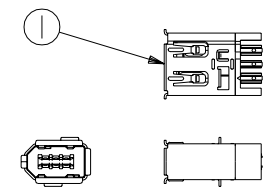


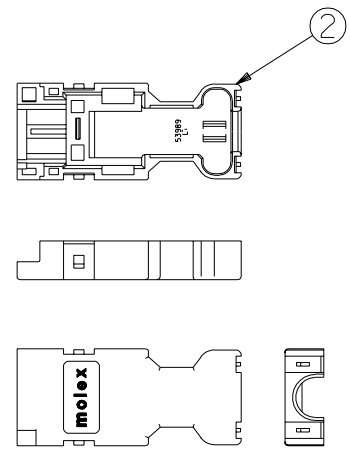
DWG. NO. SD-54280-008

部品構成
PARTS CONSTRUCTION

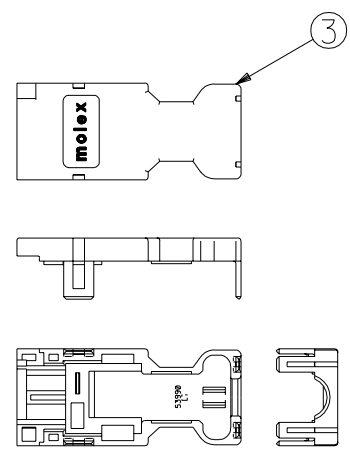
部番 NO.	部品名 PART NAME	製品番号 ENG. NO.	個数 QUAN.	材質 MATERIAL
①	ハウジングアッセンブリ HOUSING ASS'Y	53988-0619	1	ハウジング：ガラス入り耐熱樹脂 UL94V-0 色：黒 HOUSING : G.F. HEAT RESISTANT PLASTIC UL94V-0 COLOR : BLACK ターミナル：りん青銅 t0.3 TERMINAL : PHOSPHOR BRONZE t0.3 メッキ仕様 接点部：ニッケル下地金メッキ PLATING CONTACT AREA : GOLD OVER NICKEL 結線部：ニッケル下地錫メッキ WIRE TERMINATION AREA : TIN OVER NICKEL シエル：りん青銅 t0.4 SHELL : PHOSPHOR BRONZE t0.4 メッキ仕様 ニッケル下地錫メッキ PLATING TIN OVER NICKEL
②	カバー A COVER A	53989-0605	1	ガラス入りポリカーボネイト樹脂 UL94V-0 色：グレー POLYCARBONATE G.F. UL94V-0 COLOR : GRAY
③	カバー B COVER B	53990-0605	1	
④	シエル カバー SHELL COVER	58302-0628	1	鋼 t0.4 STEEL t0.4 メッキ仕様：ニッケル下地、錫メッキ PLATING : NICKEL BASE, TIN PLATING
⑤	ケーブルクランプ CABLE CLAMP	58303-0000	1	ステンレス鋼 STAINLESS STEEL
⑥	十字穴付きなべ小ネジ CROSS RECESSED PAN HEAD MACHINE SCREW	59832-0009	2	黄銅(ネジサイズ：M2X4) BRASS (SCREW SIZE : M2X4)



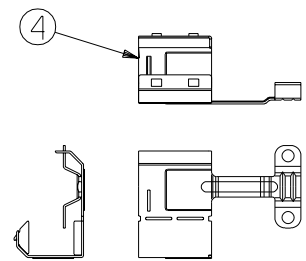
HOUSING ASS'Y



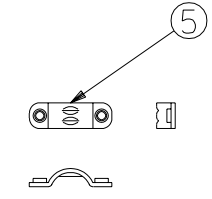
COVER A



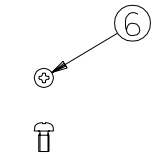
COVER B



SHELL COVER



CABLE CLAMP



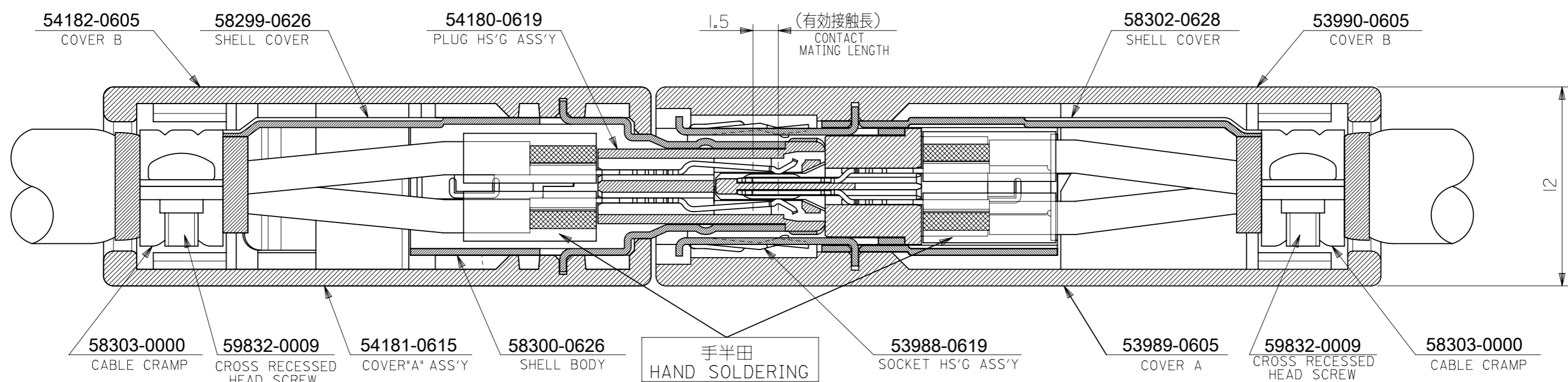
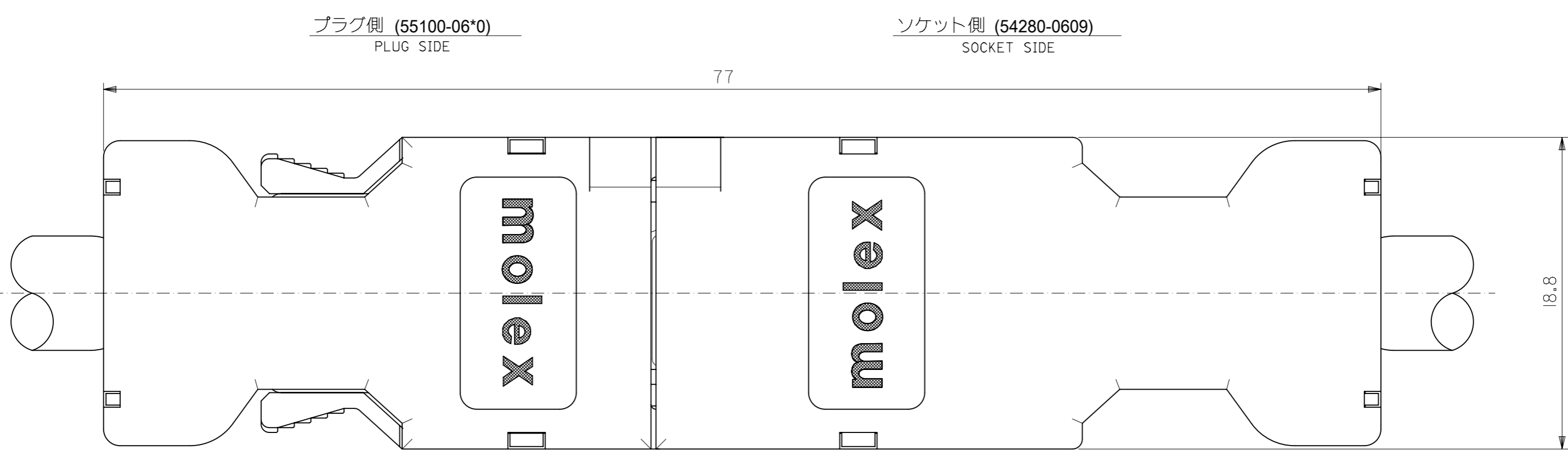
SCREW

54280-0609
MATERIAL No.

角度 ANGLE	±3°	材料 MATERIAL	注参照 SEE NOTES	MOLEX-JAPAN CO.,LTD. 日本モレックス株式会社
30 以上 OVER	+0.3	仕上げ FINISH	注参照 SEE NOTES	
10 以上 OVER 30 未満 UNDER	+0.25	適用電線範囲 WIRE RANGE	— # —	REVISE ONLY ON CAD SYSTEM
10 未満 UNDER	+0.2	被覆外径 INS. RANGE	— # —	TITLE 名称 2.0 mm PITCH I/O CONN.
一般公差 GENERAL TOLERANCES	① 新規作成 (J2004-4290) RELEASED	DRAWN BY '04/05/18	CHK'D BY '04/05/18	SOCKET SET -LEAD FREE-
記号 LTR	変更内容 REVISION RECORD	DR. '04/05/18	DATE	DWG. NO.
		M.S.	M.S.	SD-54280-008
		DR. CHK.	DATE	REV
		M.S.ASAO	M.SASAO	0
		M.S.ASAO	SCALE 1-1	

:MM DIMENSIONS IN METRIC DO NOT SCALE DRAWING

SD-54280-008.S01



注記
NOTE

1. 本製品は55100-0600, 54280-0600の鉛フリー品である。
THIS PRODUCT IS LEAD FREE OF 55100-0600 AND 54280-0600.

THIS DRAWING CONTAINS INFORMATION THAT IS PROPRIETARY TO MOLEX ELECTRONIC TECHNOLOGIES, LLC AND SHOULD NOT BE USED WITHOUT WRITTEN PERMISSION

REVISED EC NO: 119030 DRWN: TNAKAGAWA01 CHK'D: KTAKAHASHI APPR: MSASAO	2017/07/06	GENERAL TOLERANCES (UNLESS SPECIFIED)		DIMENSION UNITS	SCALE	<p>2.0 I/O CONN. CROSS-SECT. VIEW OF MATED CONNECTORS -LEAD FREE-</p> <p>PRODUCT CUSTOMER DRAWING</p>
	2017/07/11	ANGULAR TOL ± °		MM	4:1	
	2017/07/11	4 PLACES ±	0	DRWN BY	DATE	
		3 PLACES ±		MNABEI	2008/04/09	
		2 PLACES ±		CHK'D BY	DATE	
	1 PLACE ±		MISOGAYA	2008/04/10		
	0 PLACES ±		APPR BY	DATE		
			NUKITA	2008/04/11		
			DRAFT WHERE APPLICABLE MUST REMAIN WITHIN DIMENSIONS	DRAWING SIZE	THIRD ANGLE PROJECTION	SERIES
				A3		54280
						MATERIAL NUMBER
						SEE IN FIGURE
						CUSTOMER
						GENERAL MARKET
						DOCUMENT NUMBER
						SD-54280-011
						DOC TYPE
						PSD
						DOC PART
						001
						SHEET NUMBER
						1 OF 1