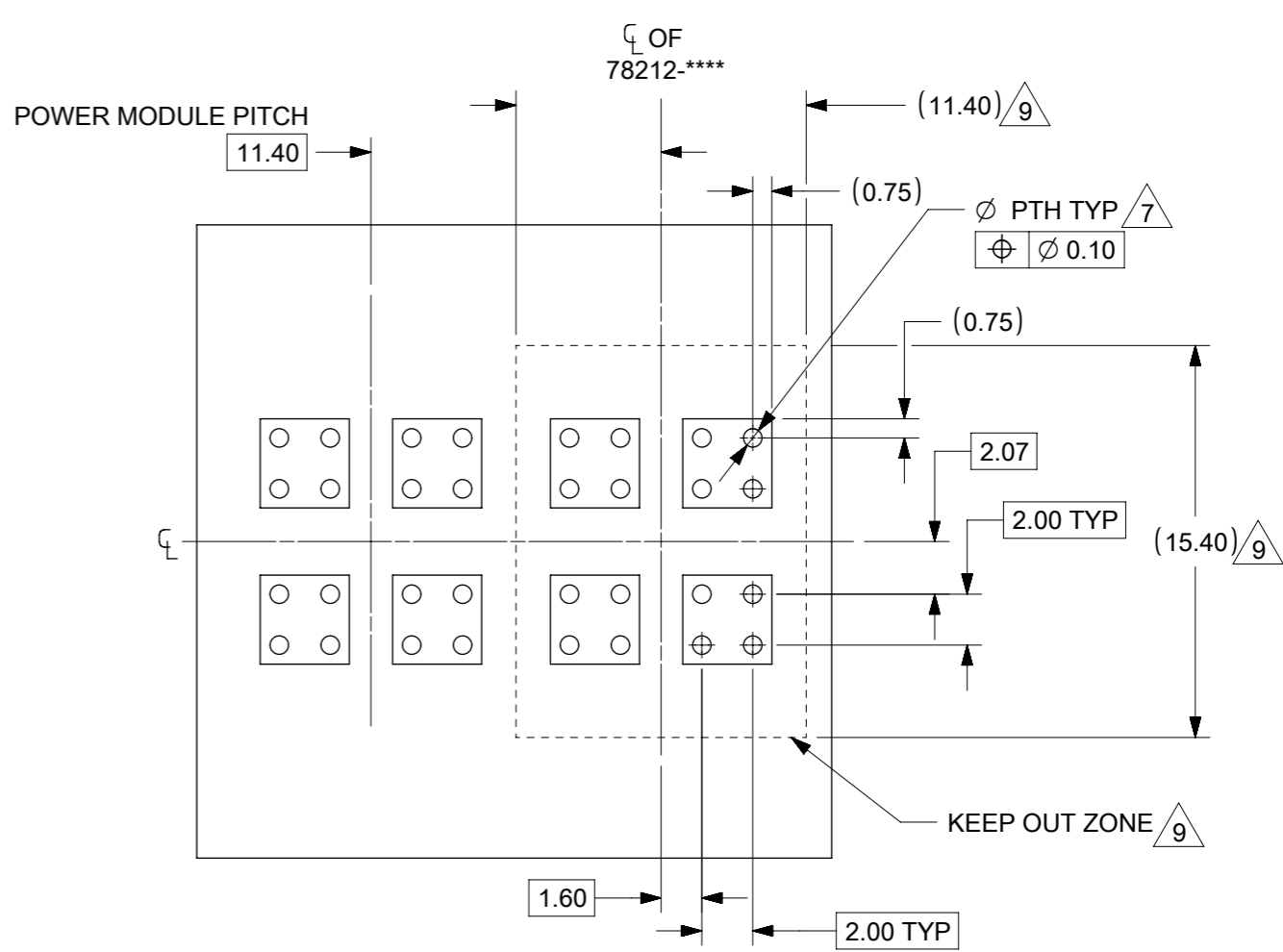
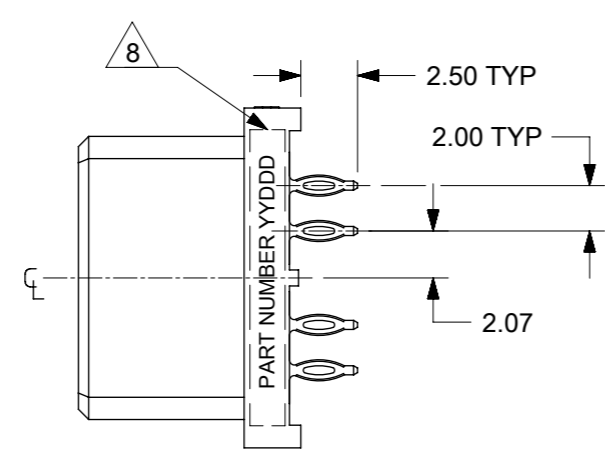
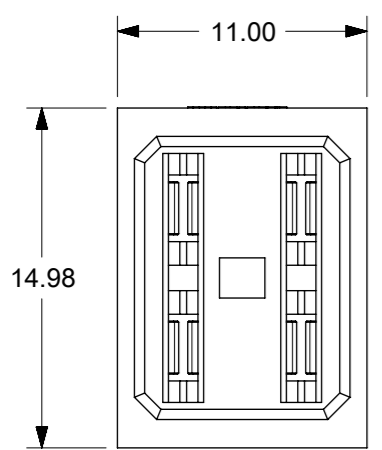
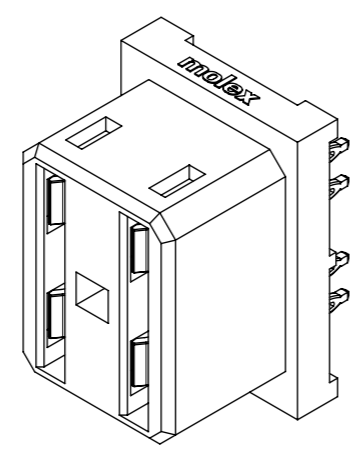
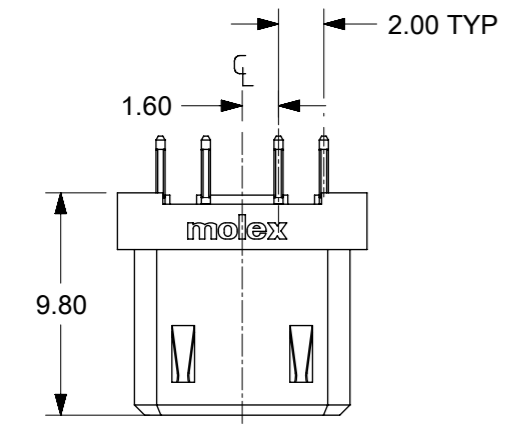


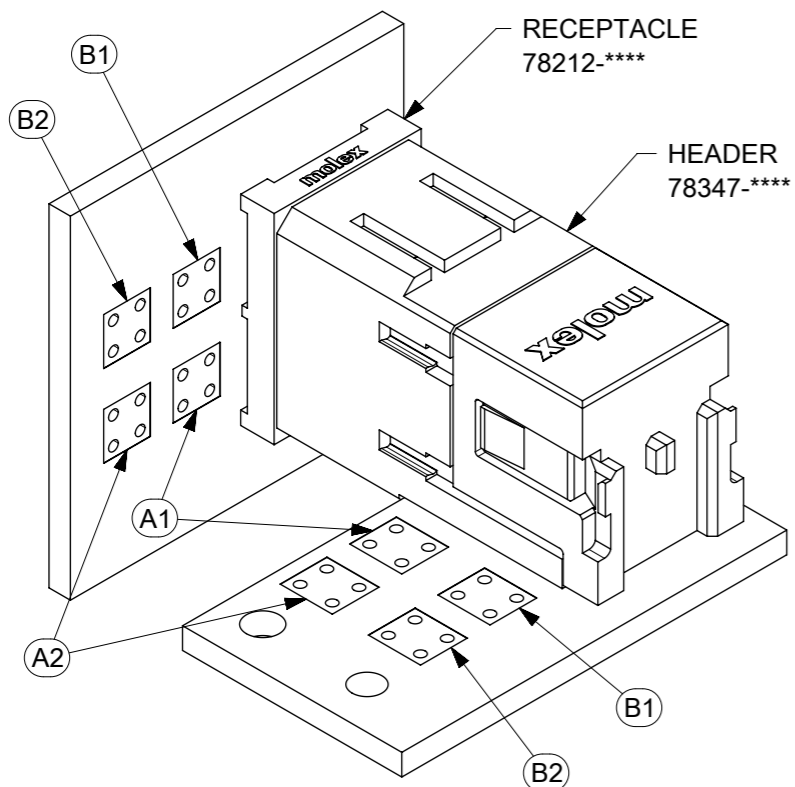
PART NUMBER	PLATING OPTION	PACKAGING
78212-1001	TIN PLATING	TRAY



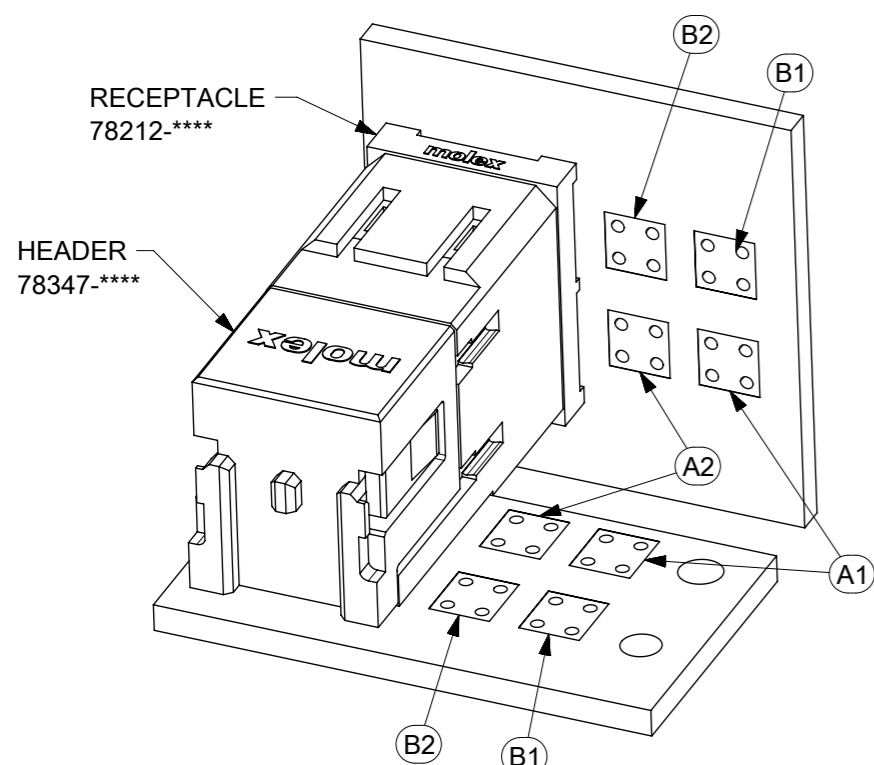
**RECOMMENDED PCB LAYOUT**  
 (COMPONENT SIDE SHOWN)  
 MINIMUM BOARD THICKNESS: 1.60mm

- NOTES:**
- MATERIAL:**  
HOUSING - LCP, GLASS FILLED, UL94-V0, COLOR: BLACK  
POWER PIN - COPPER ALLOY
  - FINISH OPTION:**  
TIN - 0.76µm MINIMUM GOLD AT CONTACT AND  
2.54µm MINIMUM TIN AT SOLDER TAIL AREA OVER  
1.27µm MINIMUM NICKEL UNDERPLATE OVERALL.
  - PRODUCT SPECIFICATION:** PS-78213-001.
  - PACKAGING SPECIFICATION:** PK-78212-001.
  - MATES WITH** 78347-\*\*\*\*, 78642-\*\*\*\*, 78698-\*\*\*\* OR 78399-\*\*\*\*
  - REFER TO SHEET 2 FOR RECOMMENDED PCB LAYOUT.**
  - REFER TO MOLEX PRODUCT SPECIFICATION PS-78213-001 FOR PLATED THROUGH-HOLE SPECIFICATIONS.**
  - PART NUMBER AND DATE CODE (YYDDD) APPROXIMATELY SHOWN.**
  - KEEP OUT ZONE FROM OTHER COMPONENTS.**

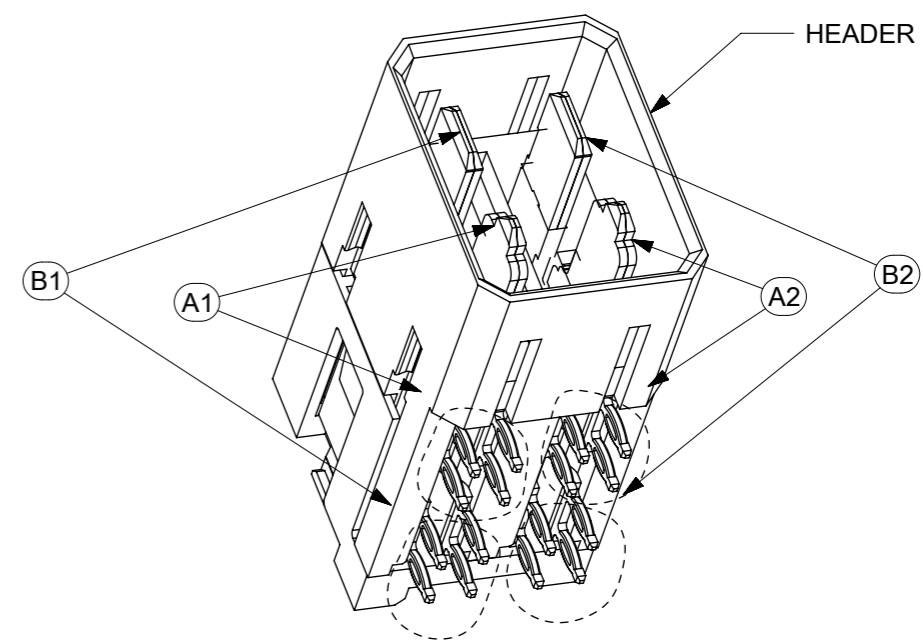
THIS DRAWING CONTAINS INFORMATION THAT IS PROPRIETARY TO MOLEX ELECTRONIC TECHNOLOGIES, LLC AND SHOULD NOT BE USED WITHOUT WRITTEN PERMISSION		CURRENT REV DESC: MIGRATED TO NX		<b>molex</b>	
DIMENSION UNITS	SCALE	EC NO: 612055			
mm	NTS	DRWN: AAPPARAOETHAK 2019/01/17		PRODUCT CUSTOMER DRAWING	
GENERAL TOLERANCES (UNLESS SPECIFIED)		CHK'D: RSHIVANANDKE 2019/02/27		DOCUMENT NUMBER	
ANGULAR TOL	± 3.0 °	APPR: CWANG25 2019/03/05		SD-78212-002	
4 PLACES	±	INITIAL REVISION:		DOC TYPE	DOC PART
3 PLACES	±	DRWN: LNG 2007/12/11		PSD	001
2 PLACES	± 0.25	APPR: SHONG 2007/12/12		REVISION	B
1 PLACE	±	DRAFT WHERE APPLICABLE MUST REMAIN WITHIN DIMENSIONS		SHEET NUMBER	
0 PLACES	±	THIRD ANGLE PROJECTION	DRAWING	MATERIAL NUMBER	CUSTOMER
			A3-SIZE	SEE TABLE	GENERAL MARKET
		SERIES	78212	1 OF 2	



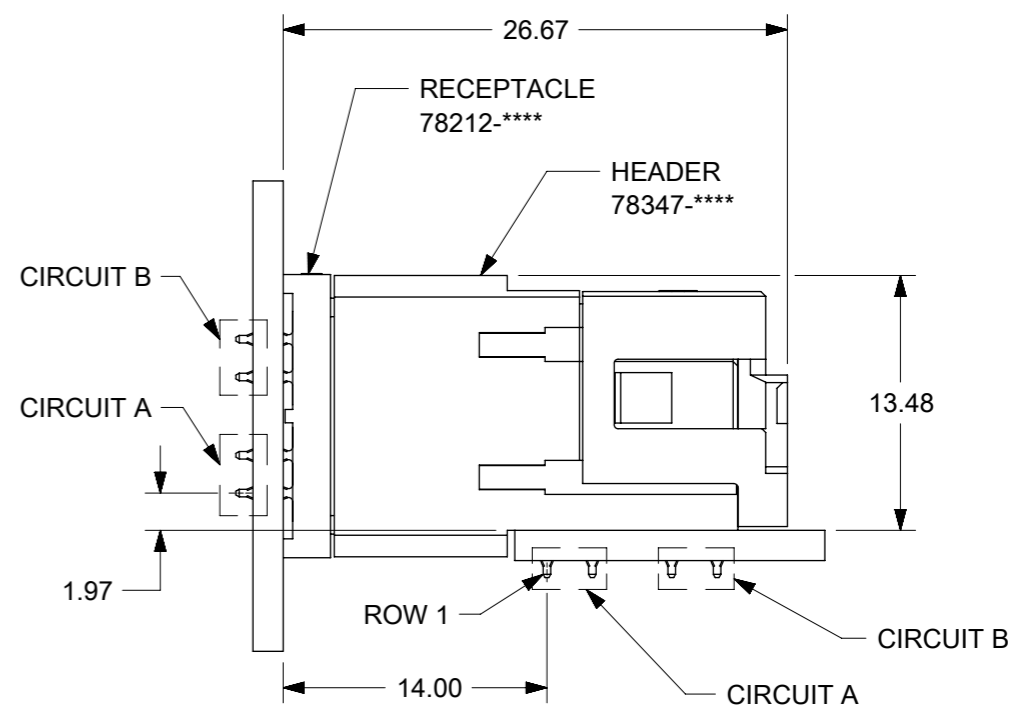
SERIES NUMBER 78347; RIGHT HOLD DOWN:  
1 POWER MODULE AND HOLD DOWN REMOVED TO  
ILLUSTRATE CIRCUIT PATH OF MATED SYSTEM



SERIES NUMBER 78347; LEFT HOLD DOWN:  
1 POWER MODULE AND HOLD DOWN REMOVED TO  
ILLUSTRATE CIRCUIT PATH OF MATED SYSTEM



PIN NUMBER ASSIGNMENT BASED ON HEADER SIDE:  
A1, B1 ON THE LEFT,  
A2, B2 ON THE RIGHT.



MATED SYSTEM OF 78347 & 78212

THIS DRAWING CONTAINS INFORMATION THAT IS PROPRIETARY TO MOLEX ELECTRONIC TECHNOLOGIES, LLC AND SHOULD NOT BE USED WITHOUT WRITTEN PERMISSION		CURRENT REV DESC: MIGRATED TO NX		<b>molex</b>	
DIMENSION UNITS	SCALE				
mm	NTS			PRODUCT CUSTOMER DRAWING	
GENERAL TOLERANCES (UNLESS SPECIFIED)		EC NO: 612055		DOCUMENT NUMBER	
ANGULAR TOL ± 3.0°		DRWN: AAPPARAOETHAK 2019/01/17		SD-78212-002	
4 PLACES ±		CHK'D: RSHIVANANDKE 2019/02/27		DOC TYPE DOC PART REVISION	
3 PLACES ±		APPR: CWANG25 2019/03/05		PSD 001 B	
2 PLACES ± 0.25		INITIAL REVISION:		MATERIAL NUMBER	
1 PLACE ±		DRWN: LNG 2007/12/11		CUSTOMER	
0 PLACES ±		APPR: SHONG 2007/12/12		GENERAL MARKET	
DRAFT WHERE APPLICABLE MUST REMAIN WITHIN DIMENSIONS		THIRD ANGLE PROJECTION	DRAWING	SERIES	SHEET NUMBER
			A3-SIZE	78212	2 OF 2