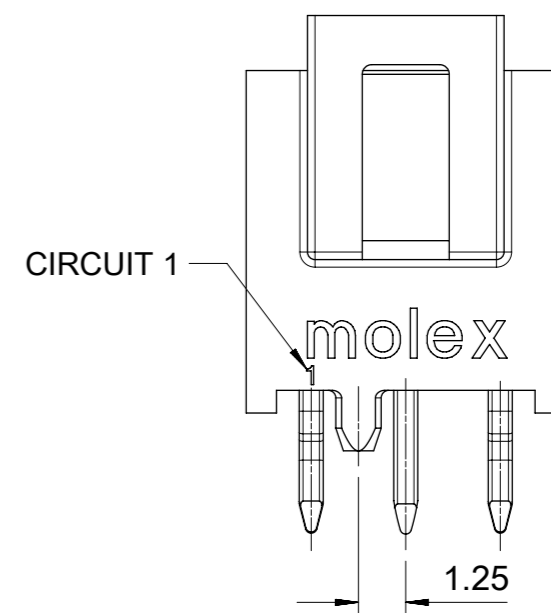
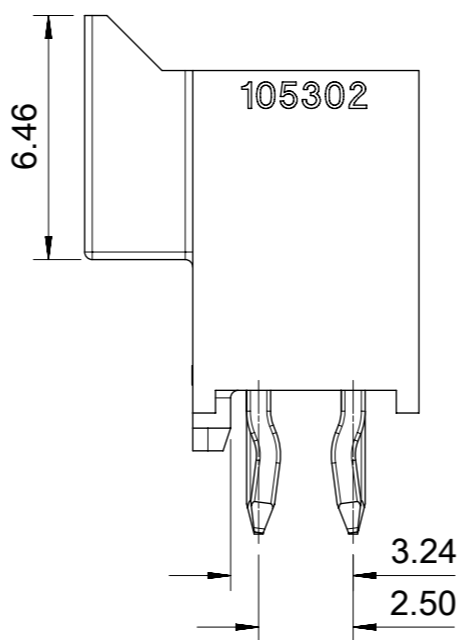
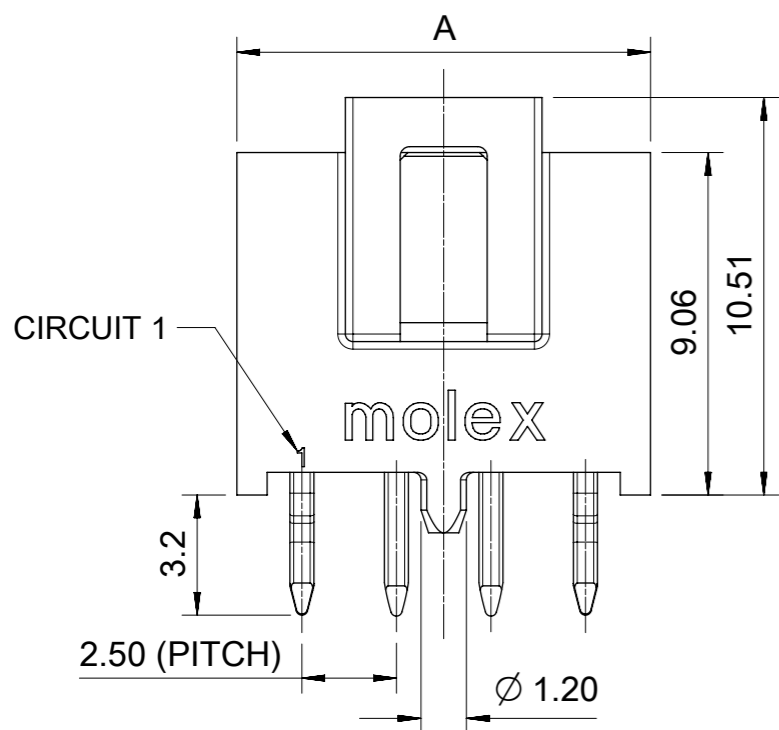
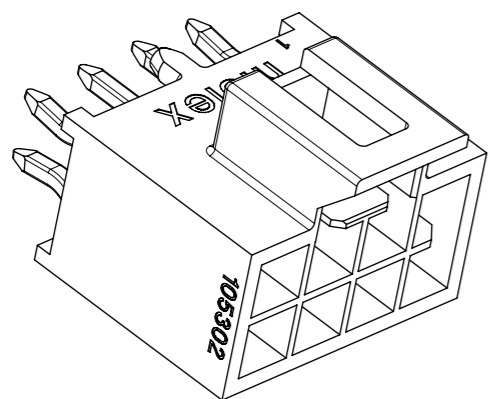


RECOMMENDED PCB(CONNECTOR SIDE VIEW)  
THICKNESS=1.6 TO 2.4 MM



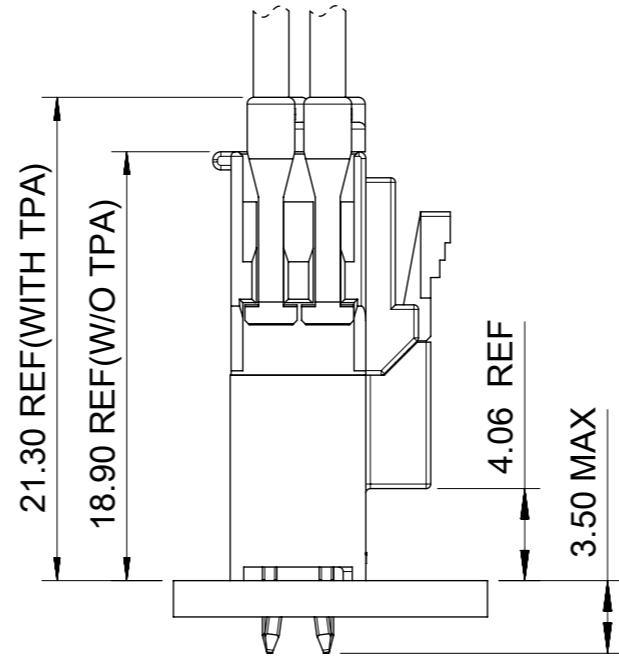
ONLY FOR CKT 6, 10, 14  
OTHER DIMENSIONS REFER TO LEFT VIEWS.



QUALITY SYMBOLS		THIS DRAWING CONTAINS INFORMATION THAT IS PROPRIETARY TO MOLEX ELECTRONIC TECHNOLOGIES, LLC AND SHOULD NOT BE USED WITHOUT WRITTEN PERMISSION									
$\nabla_A$	= 0	EC NO: 174537 DRWN: GLLI CHK'D: AYIN APPR: AYIN	GENERAL TOLERANCES (UNLESS SPECIFIED)		DIMENSION UNITS	SCALE					
$\nabla_E$	= 0		ANGULAR TOL $\pm 3.0^\circ$		mm	5:1					
$\nabla_F$	= 0		4 PLACES	$\pm$	DRWN BY	DATE	HEADER OF NANO-FIT, D/R, KINK, VERTICAL POWER CONNECTOR				
$\nabla_C$	= 0		3 PLACES	$\pm 0.1$	GLLI	2013/10/30					
$\nabla$	= 0		2 PLACES	$\pm 0.2$	CHK'D BY	DATE	PRODUCT CUSTOMER DRAWING				
$\nabla$	= 0	1 PLACE	$\pm 0.3$	APPR BY	DATE	SERIES					MATERIAL NUMBER
$\boxtimes$	= 0	0 PLACES	$\pm$	AYIN	2015/04/08	105310	SEE SHEET 2	GENERAL MARKET			
$\square$	= 0	DRAFT WHERE APPLICABLE MUST REMAIN WITHIN DIMENSIONS		DRAWING SIZE	THIRD ANGLE PROJECTION	DOCUMENT NUMBER		DOC TYPE	DOC PART	SHEET NUMBER	
$\nabla$	= 0			A3		SD-105310-100		PSD	000	1 OF 4	

PART NUMBER	DIM 'A'	DIM 'B'	CKT SIZE	PLATING	LUBE
105310-1104	5.94	2.50	4	TIN ▽ <sub>D</sub>	
105310-1106	8.44	5.00	6		
105310-1108	10.94	7.50	8		
105310-1110	13.44	10.00	10		
105310-1112	15.94	12.50	12		
105310-1114	18.44	15.00	14		
105310-1116	20.94	17.50	16		
105310-1204	5.94	2.50	4		
105310-1206	8.44	5.00	6		
105310-1208	10.94	7.50	8		
105310-1210	13.44	10.00	10		
105310-1212	15.94	12.50	12		
105310-1214	18.44	15.00	14		
105310-1216	20.94	17.50	16		
105310-1304	5.94	2.50	4	GOLD 0.76	
105310-1306	8.44	5.00	6		
105310-1308	10.94	7.50	8		
105310-1310	13.44	10.00	10		
105310-1312	15.94	12.50	12		
105310-1314	18.44	15.00	14		
105310-1316	20.94	17.50	16		
105310-1404	5.94	2.50	4		
105310-1406	8.44	5.00	6		
105310-1408	10.94	7.50	8		
105310-1410	13.44	10.00	10		
105310-1412	15.94	12.50	12		
105310-1414	18.44	15.00	14		
105310-1416	20.94	17.50	16		

COLOR: BLACK



105310- \* \* \*  
 \* CIRCUIT SIZE  
 \* PLATING OPTION  
 1 - TIN  
 2 - GOLD 0.38  
 3 - GOLD 0.76  
 \* COLOR OPTION  
 1 - BLACK  
 2 - NATURAL

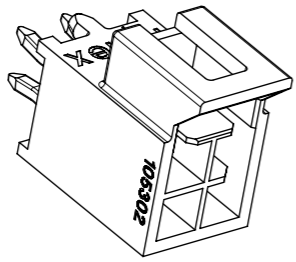
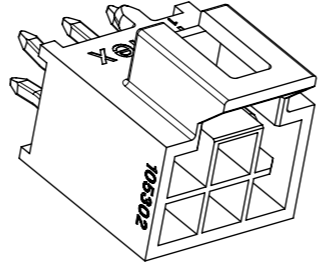
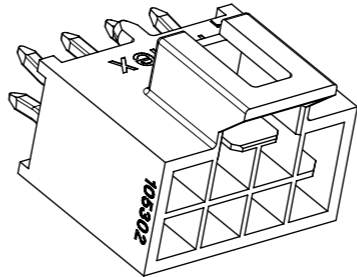
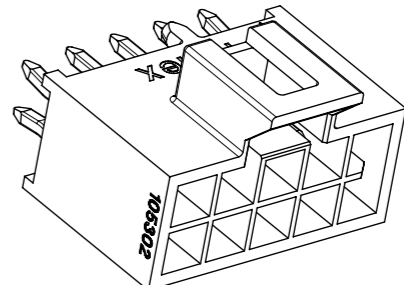
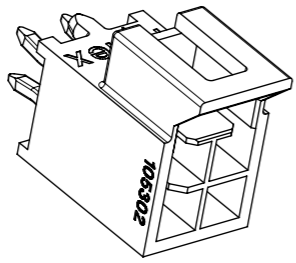
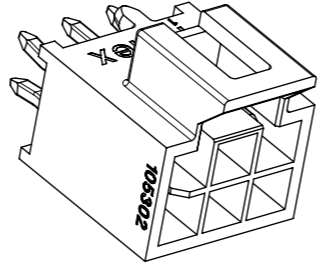
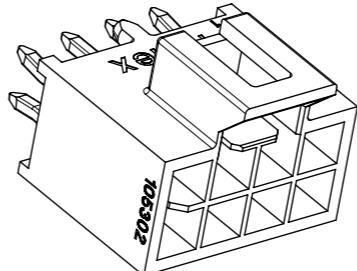
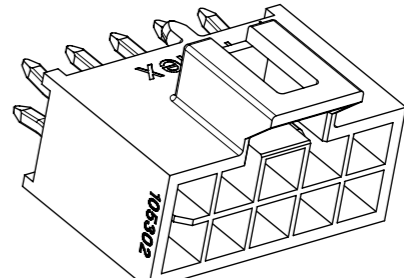
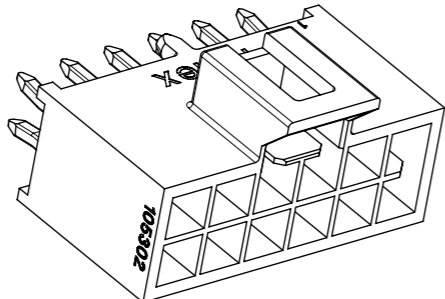
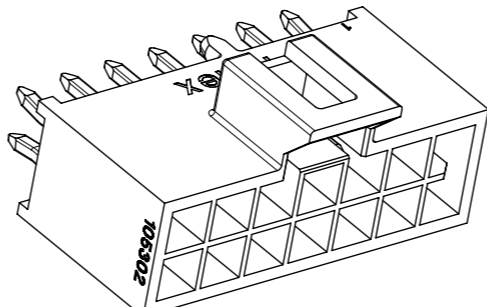
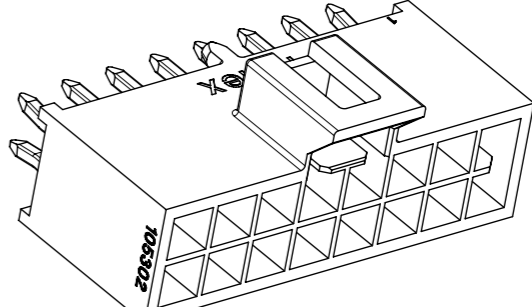
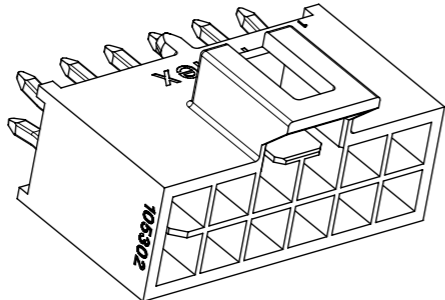
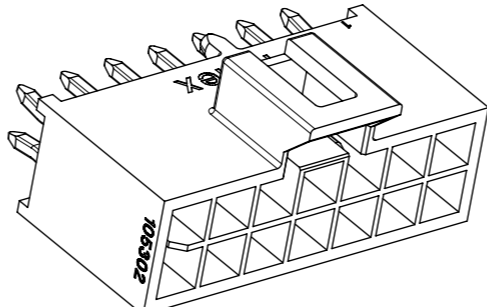
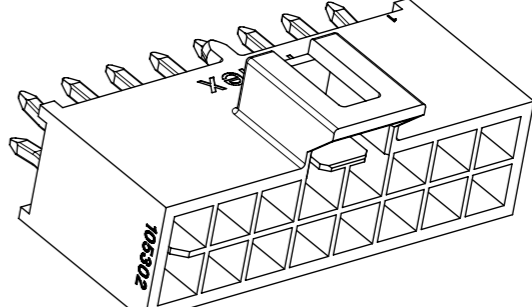
PART NUMBER	DIM 'A'	DIM 'B'	CKT SIZE	PLATING	LUBE
105310-2104	5.94	2.50	4	TIN ▽ <sub>D</sub>	
105310-2106	8.44	5.00	6		
105310-2108	10.94	7.50	8		
105310-2110	13.44	10.00	10		
105310-2112	15.94	12.50	12		
105310-2114	18.44	15.00	14		
105310-2116	20.94	17.50	16		
105310-2204	5.94	2.50	4		
105310-2206	8.44	5.00	6		
105310-2208	10.94	7.50	8		
105310-2210	13.44	10.00	10		
105310-2212	15.94	12.50	12		
105310-2214	18.44	15.00	14		
105310-2216	20.94	17.50	16		
105310-2304	5.94	2.50	4	GOLD 0.76	
105310-2306	8.44	5.00	6		
105310-2308	10.94	7.50	8		
105310-2310	13.44	10.00	10		
105310-2312	15.94	12.50	12		
105310-2314	18.44	15.00	14		
105310-2316	20.94	17.50	16		
105310-2404	5.94	2.50	4		
105310-2406	8.44	5.00	6		
105310-2408	10.94	7.50	8		
105310-2410	13.44	10.00	10		
105310-2412	15.94	12.50	12		
105310-2414	18.44	15.00	14		
105310-2416	20.94	17.50	16		

COLOR: NATURAL

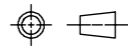
THIS DRAWING CONTAINS INFORMATION THAT IS PROPRIETARY TO MOLEX ELECTRONIC TECHNOLOGIES, LLC AND SHOULD NOT BE USED WITHOUT WRITTEN PERMISSION											
<b>QUALITY SYMBOLS</b> ▽ <sub>A</sub> = 0 ▽ <sub>E</sub> = 0 ▽ <sub>B</sub> = 0 ▼ = 0 ▽ = 0 ⊗ = 0 ■ = 0 ▽ = 0	2018/04/03	GENERAL TOLERANCES (UNLESS SPECIFIED)		DIMENSION UNITS	SCALE						
	2018/04/23	ANGULAR TOL ± 3.0 °		mm	3:1						
	2018/04/23	4 PLACES	±	DRWN BY	DATE	HEADER OF NANO-FIT, D/R, KINK, VERTICAL POWER CONNECTOR					
		3 PLACES	± 0.1	GLLI	2013/10/30						
		2 PLACES	± 0.2	CHK'D BY	DATE	PRODUCT CUSTOMER DRAWING					
	1 PLACE	± 0.3	AYIN	2015/04/08							
	0 PLACES	±	APPR BY	DATE	SERIES	MATERIAL NUMBER	CUSTOMER				
			DRAFT WHERE APPLICABLE MUST REMAIN WITHIN DIMENSIONS	DRAWING SIZE	THIRD ANGLE PROJECTION	105310	SEE CHART	GENERAL MARKET			
				A3		DOCUMENT NUMBER		DOC TYPE	DOC PART	SHEET NUMBER	
						SD-105310-100		PSD	000	2 OF 4	

9 8 7 6 5 4 3 2 1

E  
D  
C  
B  
A

	4 CKT	6 CKT	8 CKT	10 CKT
BLACK				
NATURAL				
	12 CKT	14 CKT	16 CKT	
BLACK				
NATURAL				



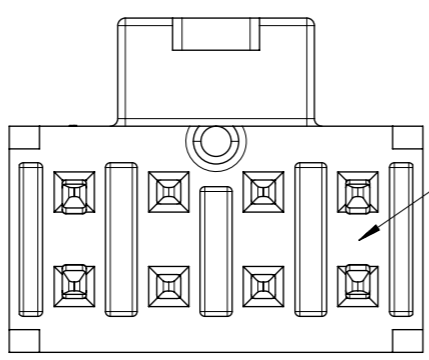
THIS DRAWING CONTAINS INFORMATION THAT IS PROPRIETARY TO MOLEX ELECTRONIC TECHNOLOGIES, LLC AND SHOULD NOT BE USED WITHOUT WRITTEN PERMISSION															
QUALITY SYMBOLS		2018/04/03 2018/04/23 2018/04/23			GENERAL TOLERANCES (UNLESS SPECIFIED)			DIMENSION UNITS		SCALE					
▽	= 0	EC NO: 174537 DRWN: GLLI CHK'D: AYIN APP: AYIN			ANGULAR TOL ± 3.0 °			mm		3:1					
▽	= 0				4 PLACES ±			DRWN BY		DATE		GLLI 2013/10/30			
▽	= 0				3 PLACES ± 0.1			CHK'D BY		DATE					
▽	= 0				2 PLACES ± 0.2			APPR BY		DATE		AYIN 2015/04/08			
▽	= 0				1 PLACE ± 0.3			DRAWING SIZE		THIRD ANGLE PROJECTION					
▽	= 0				0 PLACES ±			DRAFT WHERE APPLICABLE MUST REMAIN WITHIN DIMENSIONS			A3				
▽	= 0														
						<b>molex</b>									
						HEADER OF NANO-FIT, D/R, KINK, VERTICAL POWER CONNECTOR									
						PRODUCT CUSTOMER DRAWING									
RELEASE STATUS		P1		RELEASE DATE		2018/04/23		06:47:57		SERIES		MATERIAL NUMBER		CUSTOMER	
										105310		SEE SHEET 2		GENERAL MARKET	
						DOCUMENT NUMBER		DOC TYPE		DOC PART		SHEET NUMBER			
						SD-105310-100		PSD		000		3 OF 4			

9 8 7 6 5 4 3 2 1

FORMAT: master-ib-prod-A3  
REVISION: F  
DATE: 2015/11/16

NOTES FOR ALL PARTS

<p>1&gt; MATERIAL: HOUSING: LCP; TERMINAL: BRASS.</p> <p>2&gt; PLATING FINISHED: TERMINAL: CONTACT AREA: a. TIN 1.5MICRONS MIN; b. GOLD 0.38 MICRONS MIN; c. GOLD 0.76 MICRONS MIN.</p> <p>SOLDER AREA: TIN 1.5 MICRONS MIN, UNDER PLATING NICKEL 1.25 MICRONS MIN.</p> <p>SOLDER CLIP: TIN 2.5 MICRONS MIN, UNDER PLATING NICKEL 1.25 MICRONS MIN.</p> <p>3&gt; PRODUCT SPECIFICATION: PS-105300-100.</p>	<p>4&gt; PACKAGE: TRAY, PK-105309-100.</p> <p>5&gt; ALL COMPONENTS AND PRODUCT COMPLIANT TO RoHS DIRECTIVE 2011/65/EU AND ELV DIRECTIVE 2000/53/EC.</p> <p>6&gt; PRODUCT MATE WITH SERIES OF 105308(RECEPTACLE), 105300(CRIMP TERMINAL).</p> <p>7&gt; PARTS CONFORM TO CLASS 'B'REQUIREMENTS OF COSMETIC SPECIFICATION PS-45499-002.</p> <p>8&gt; DISCOLORATION IN THE BANDOLIER PIN CARRIER AREA OF THE PIN IS INHERENT TO THE PLATING PROCESS AND IS DUE TO THE MASKING DEFECT OF THE CARRIER, THIS DISCOLORATION IS IN A NON-FUNCTION AREA OF THE PIN AND WILL NOT AFFECT THE PERFORMANCE OF THE HEADER ASSEMBLY.</p>
--	--



IF ANY NUMBER MARK APPEARS ON THIS SURFACE, PLEASE DISREGARD IT, IT IS NO ANY FUCTION AND NO ANY RELATION TO PIN NUMBER, IT IS JUST FOR MOLDING IDENTIFICATION.



<b>QUALITY SYMBOLS</b> ▽A = 0 ▽E = 0 ▽F = 0 ▼ = 0 ▽C = 0 ⊗ = 0 ■ = 0 ▽ = 0	THIS DRAWING CONTAINS INFORMATION THAT IS PROPRIETARY TO MOLEX ELECTRONIC TECHNOLOGIES, LLC AND SHOULD NOT BE USED WITHOUT WRITTEN PERMISSION											
	EC NO: 174537 DRWN: GLLI CHK'D: AYIN REV APPR: AYIN	2018/04/03 2018/04/23 2018/04/23		GENERAL TOLERANCES (UNLESS SPECIFIED) ANGULAR TOL ± 3.0 °		DIMENSION UNITS: mm SCALE:					HEADER OF NANO-FIT, D/R, KINK, VERTICAL POWER CONNECTOR	
		4 PLACES ±		DRWN BY: RFC_PLMMW		DATE: 2016/02/25						
		3 PLACES ± 0.1		CHK'D BY:		DATE:		PRODUCT CUSTOMER DRAWING			SERIES: 105310 MATERIAL NUMBER: SEE SHEET 2 CUSTOMER: GENERAL MARKET	
		2 PLACES ± 0.2		APPR BY: JALEXANDER		DATE: 2016/02/25						
		1 PLACE ± 0.3		DRAWING SIZE: A3		THIRD ANGLE PROJECTION:		DOCUMENT NUMBER: SD-105310-100		DOC TYPE: PSD	DOC PART: 000	SHEET NUMBER: 4 OF 4
	0 PLACES ±		DRAFT WHERE APPLICABLE MUST REMAIN WITHIN DIMENSIONS									