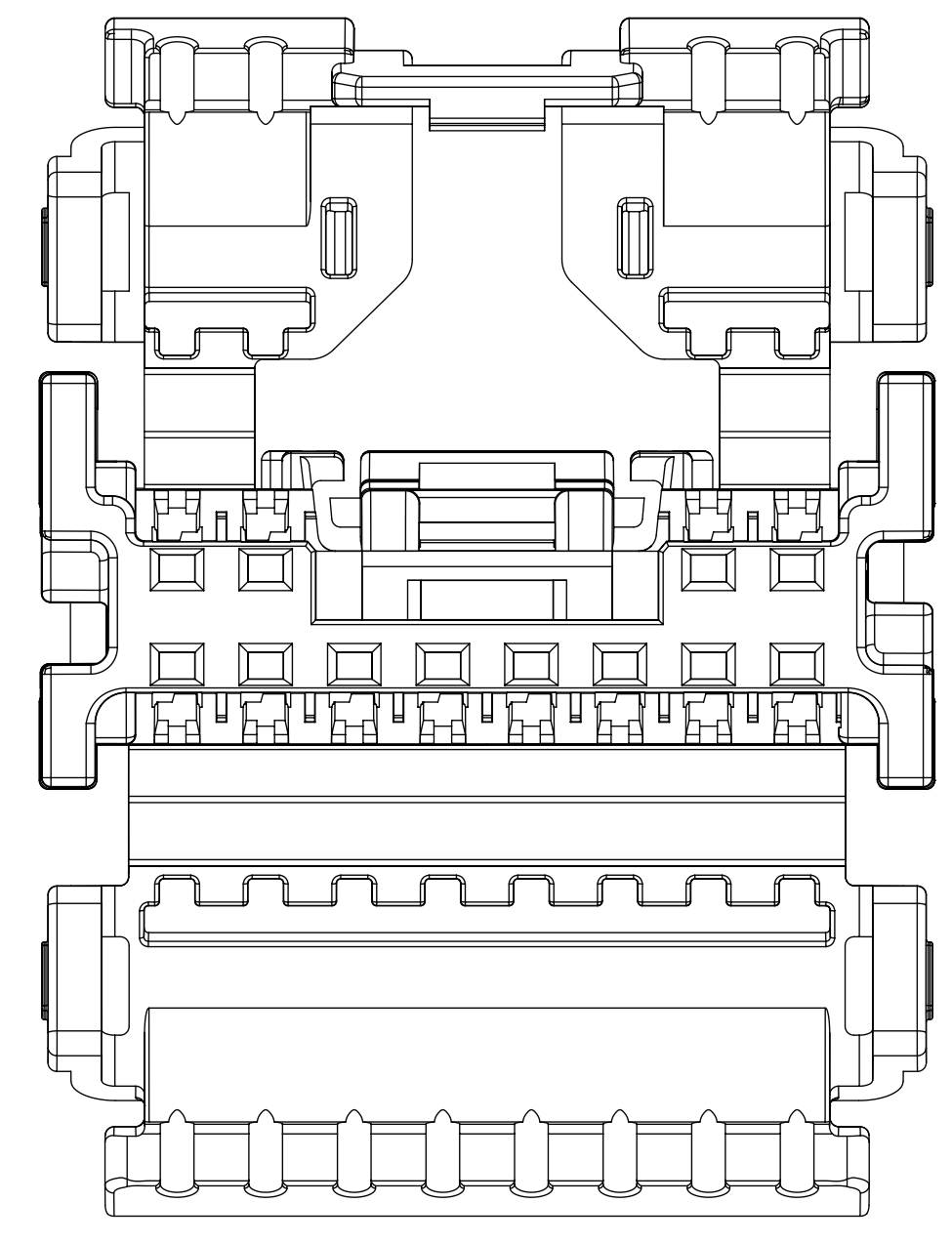
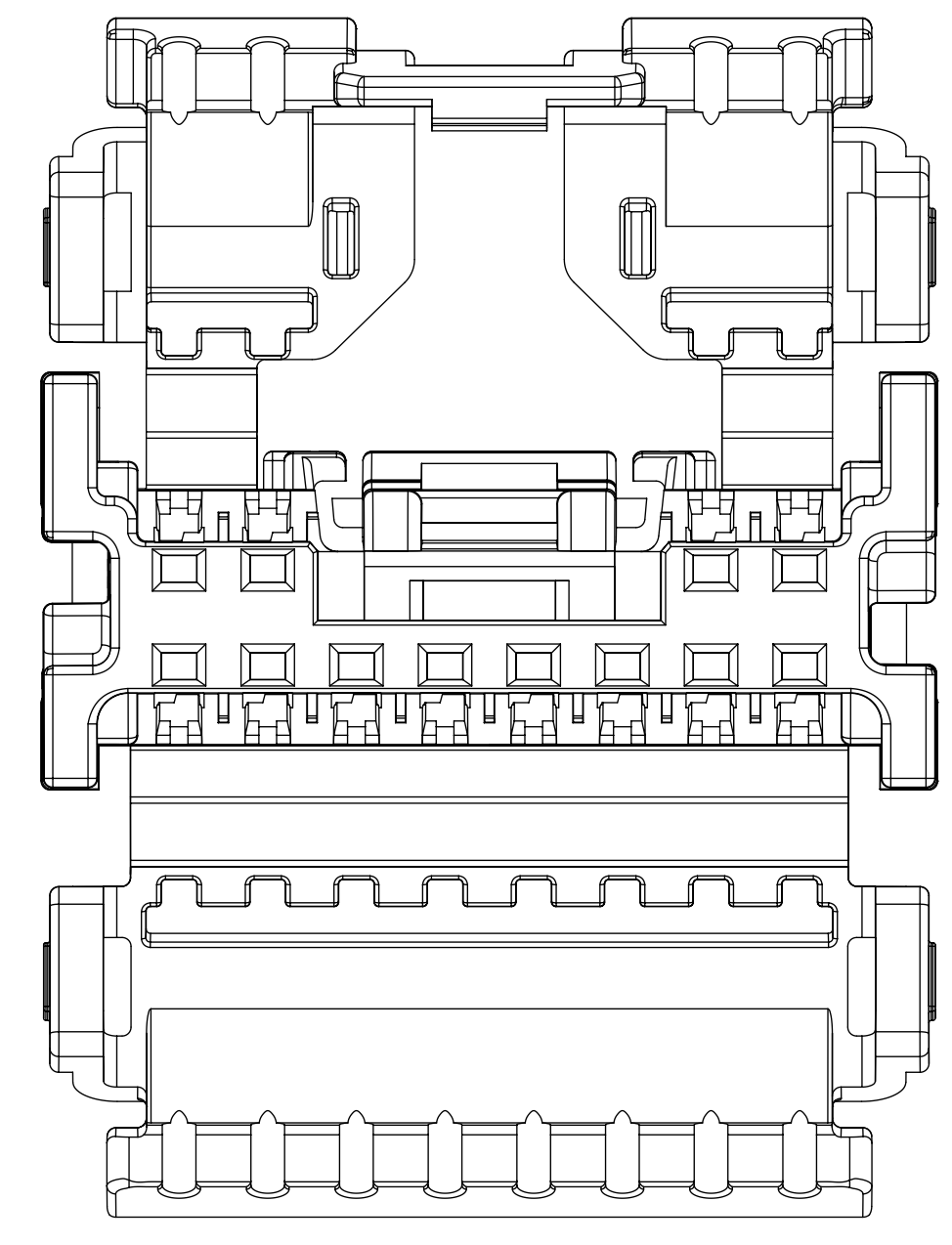


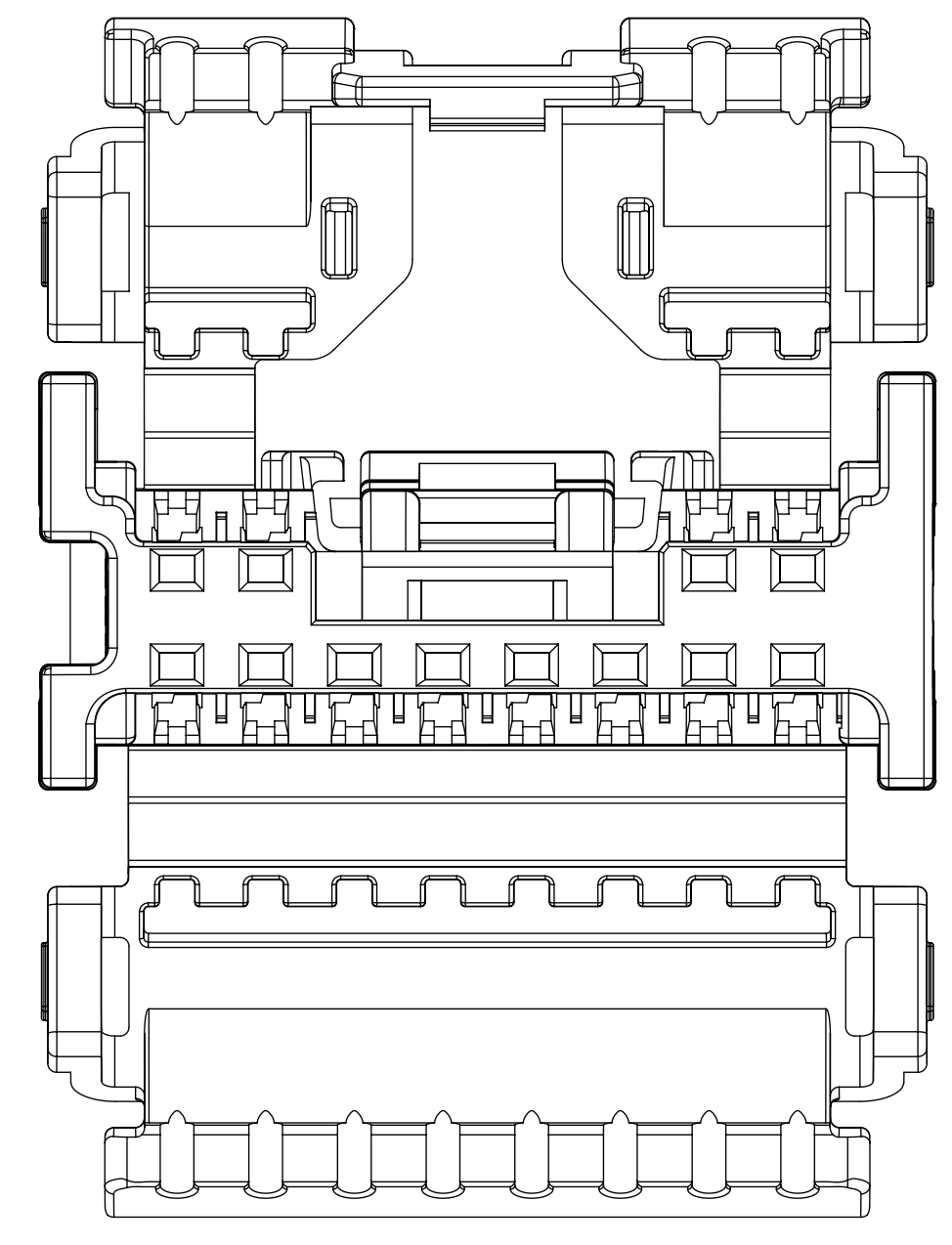
1. GENERAL:
 - a. APPLICATION SPECIFICATION SEE: AS-34791-020
 - b. PRODUCT SPECIFICATION SEE: PS-34791-020
 - c. PACKAGING SPECIFICATION PER MOLEX DRAWING: SEE CHART
 - d. PARTS MUST BE IN COMPLIANCE TO MOLEX CHEMICAL SUBSTANCES FOR PRODUCTS AND PACKAGING SPECIFICATION: QEH5-699000-301
 - e. DATA MUST BE SUBMITTED UNDER THE MOLEX PART NUMBER TO IMDS (COMPANY ID#13255)
 - f. FLAMMABILITY REQUIREMENT: PER ISO3795 OR GM3191
 1. BURN RATE 100 mm/MIN MAXIMUM
 2. MATERIAL MUST BE SELF EXTINGUISHING
 - g. VISUAL DEFECTS SHALL MEET COSMETIC STANDARD PS-45499-002 (Class B)
 - h. FOR TERMINAL USAGE, REFER TO MOLEX SALES DRAWING SD-560023-002
2. DESIGN - MATERIALS: SEE P/N TABLE
3. DESIGN - GEOMETRY:
 - a. THIS IS A 100% CAD GENERATED PART. THE CAD MATHEMATICAL DATA IS THE MASTER FOR THIS PART. FOR DIMENSIONAL OR ANY INFORMATION NOT SHOWN ON THIS DRAWING, ANALYZE THE CAD MODEL.
 - b. GEOMETRIC DIMENSIONS AND TOLERANCES PER ASME Y14.5M - 2009
 - c. GENERAL TOLERANCES:
 - LINEAR: PER DIN 16901 CODE B FOR PRECISION ENGINEERING (SEE TABLE)
 - ANGULAR: ±3°
 - d. EDGES AND UNDIMENSIONED DETAILS PER ISO13715
 - e. CORNERS SHOWN AS SHARP TO BE R 0.2 MAX
 - f. LETTERING SHALL BE 0.15 MAX RAISED IN 0.15 MAX RECESS PAD AND NOT PROTRUDE THE SURFACE. THIS INCLUDES RECYCLING CODE, PLANT AND CAVITY ID, VENDOR ID, CIRCUIT ID, AND PART SERIES NUMBER.
 - g. DIMENSION APPLIES ONLY TO RECEPTACLES WITH LOCK BRIDGE OPTION.



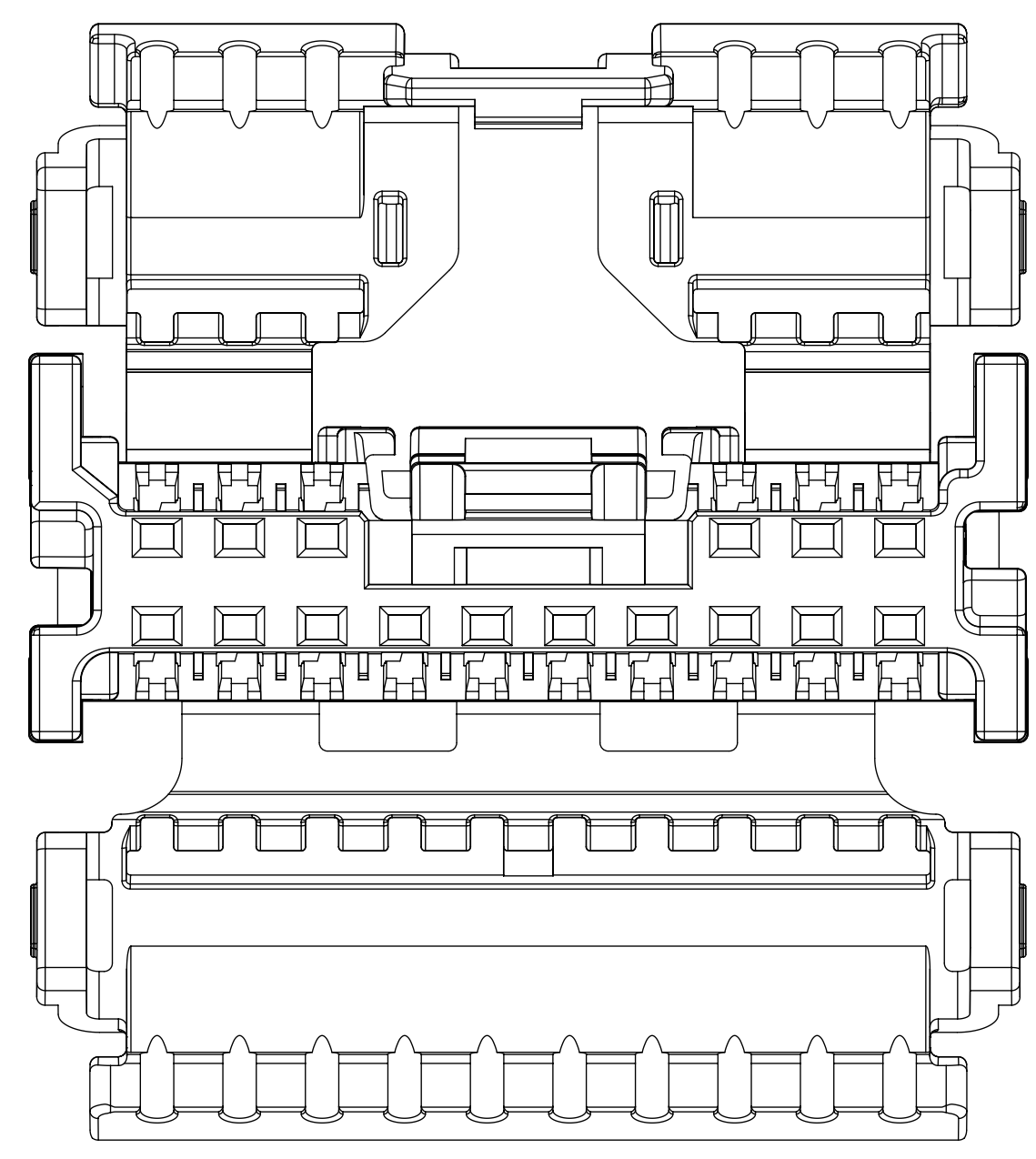
12 CIRCUIT RECEPTACLE WITHOUT LOCK BRIDGE
POLARIZATION OPTION A
USCAR COMPATIBLE



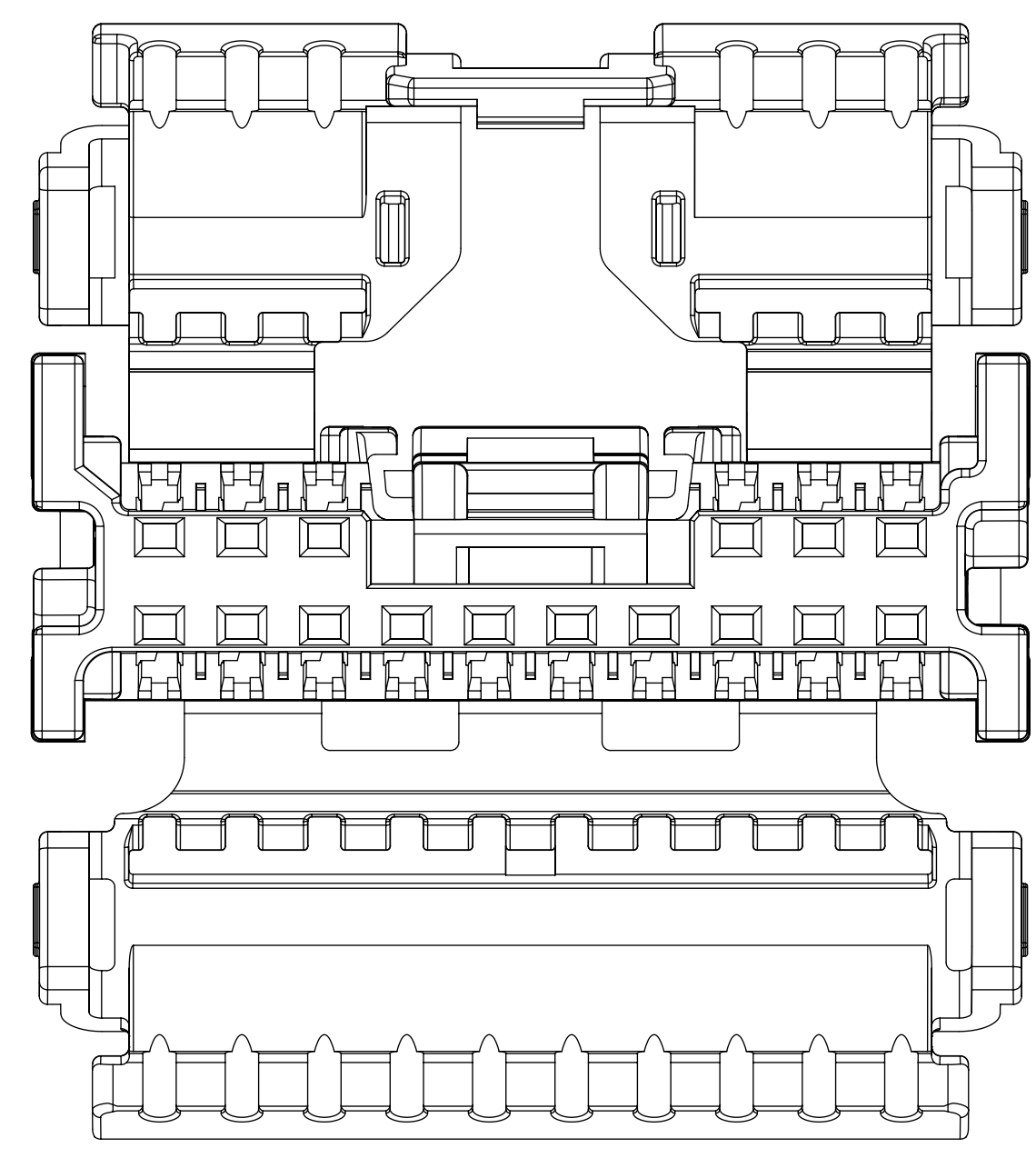
12 CIRCUIT RECEPTACLE WITHOUT LOCK BRIDGE
POLARIZATION OPTION B
USCAR COMPATIBLE



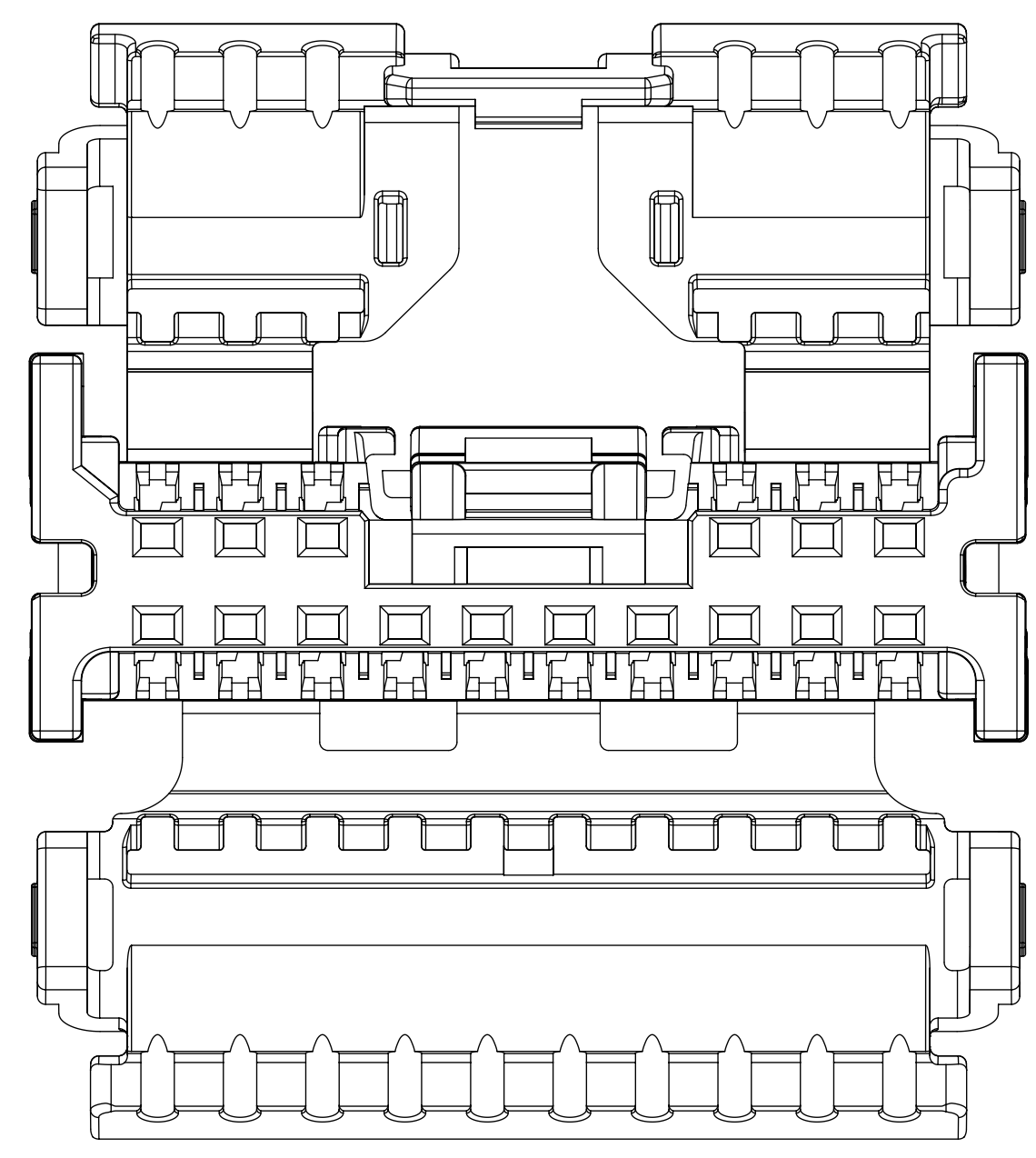
12 CIRCUIT RECEPTACLE WITHOUT LOCK BRIDGE
POLARIZATION OPTION C
USCAR COMPATIBLE



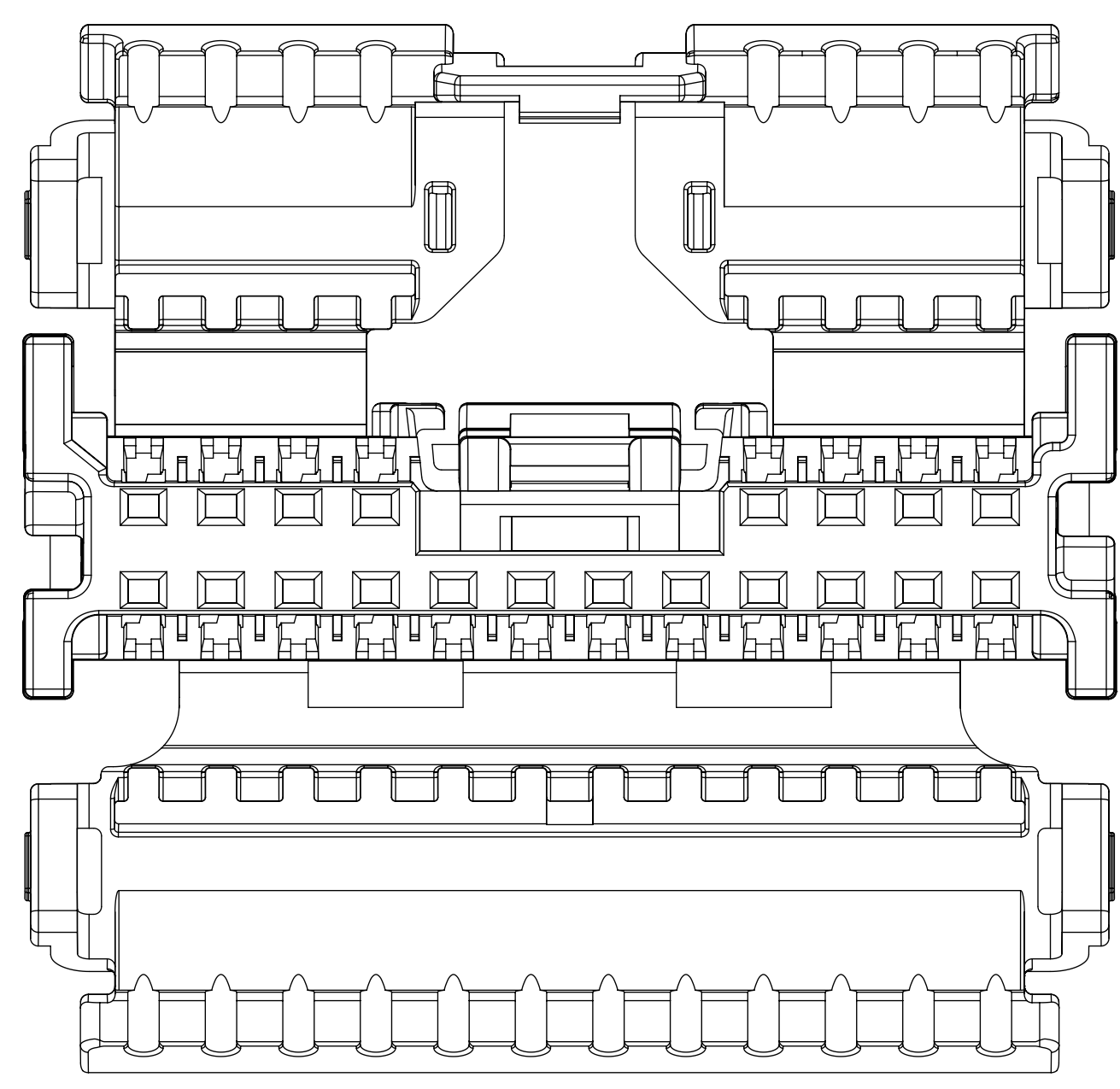
16 CIRCUIT RECEPTACLE WITHOUT LOCK BRIDGE
POLARIZATION OPTION A



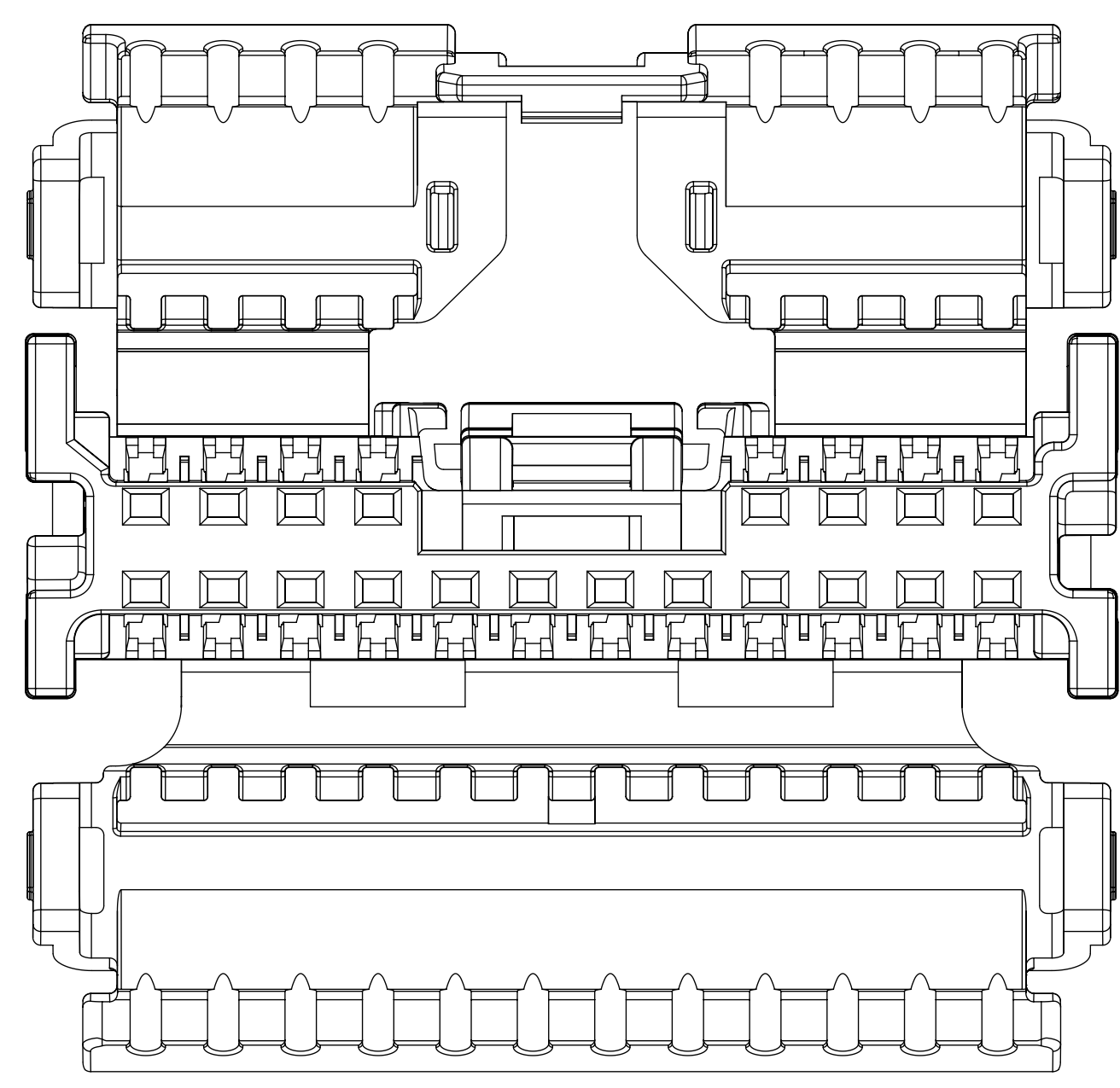
16 CIRCUIT RECEPTACLE WITHOUT LOCK BRIDGE
POLARIZATION OPTION B



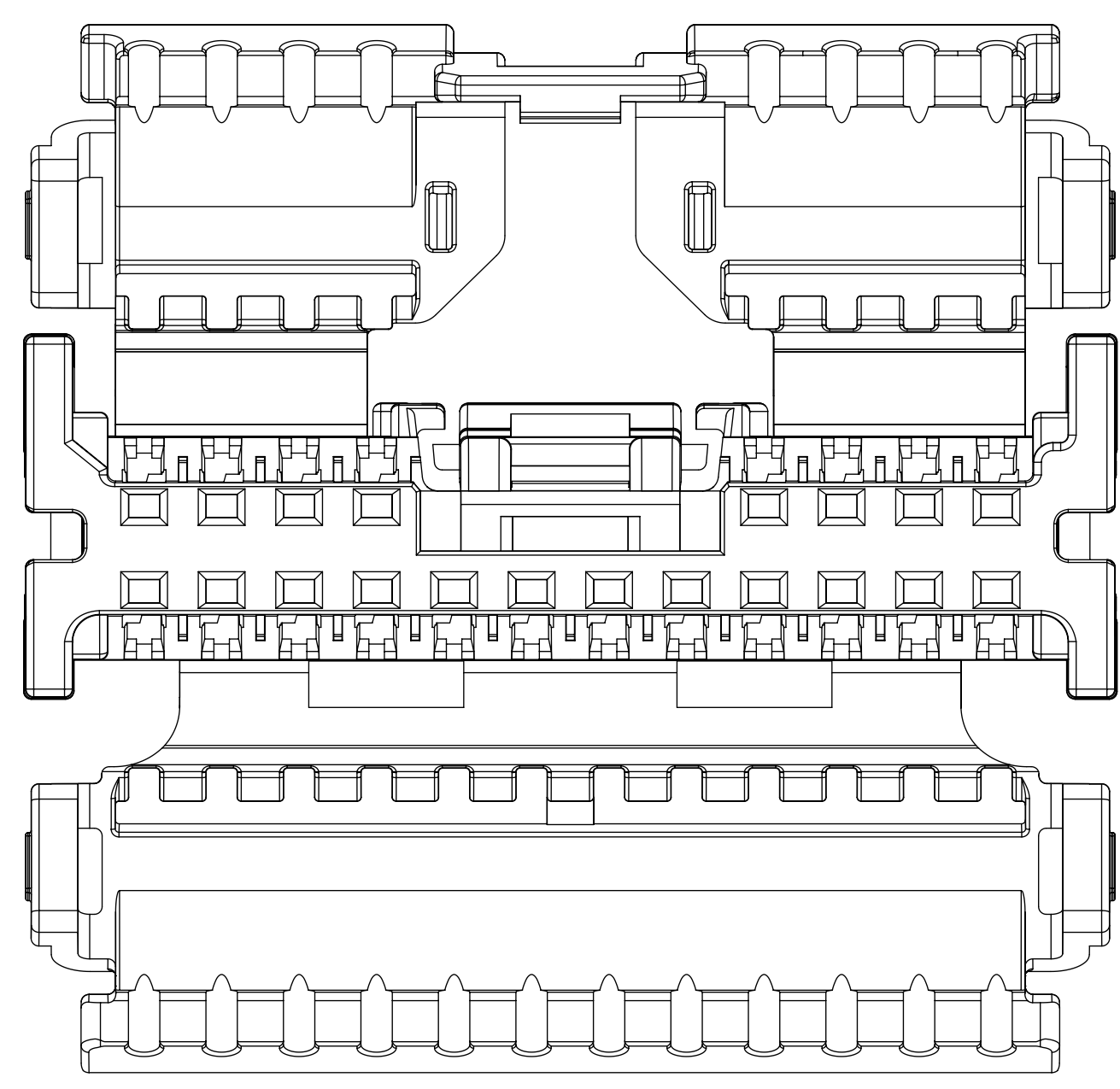
16 CIRCUIT RECEPTACLE WITHOUT LOCK BRIDGE
POLARIZATION OPTION C



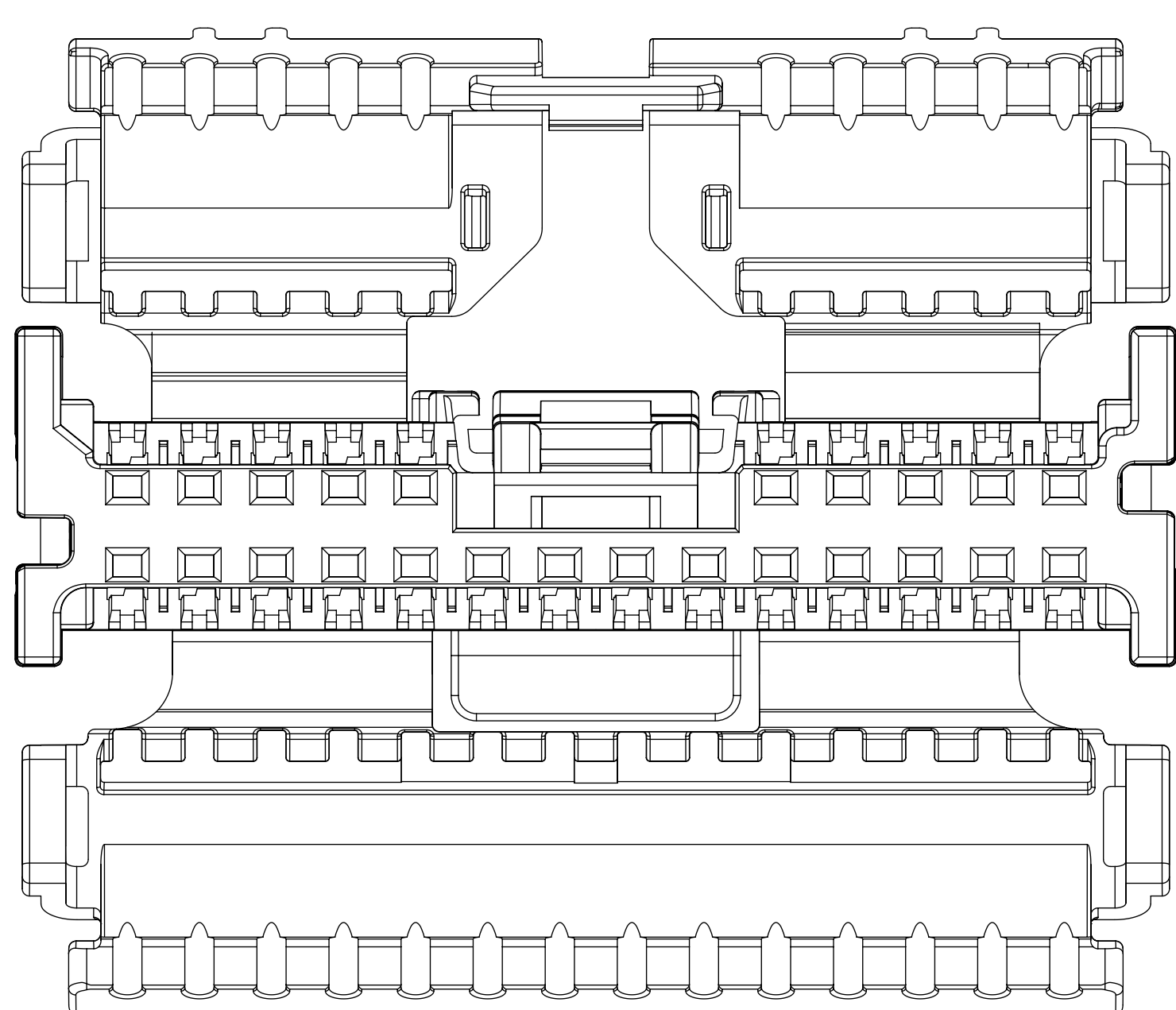
20 CIRCUIT RECEPTACLE WITHOUT LOCK BRIDGE
POLARIZATION OPTION A



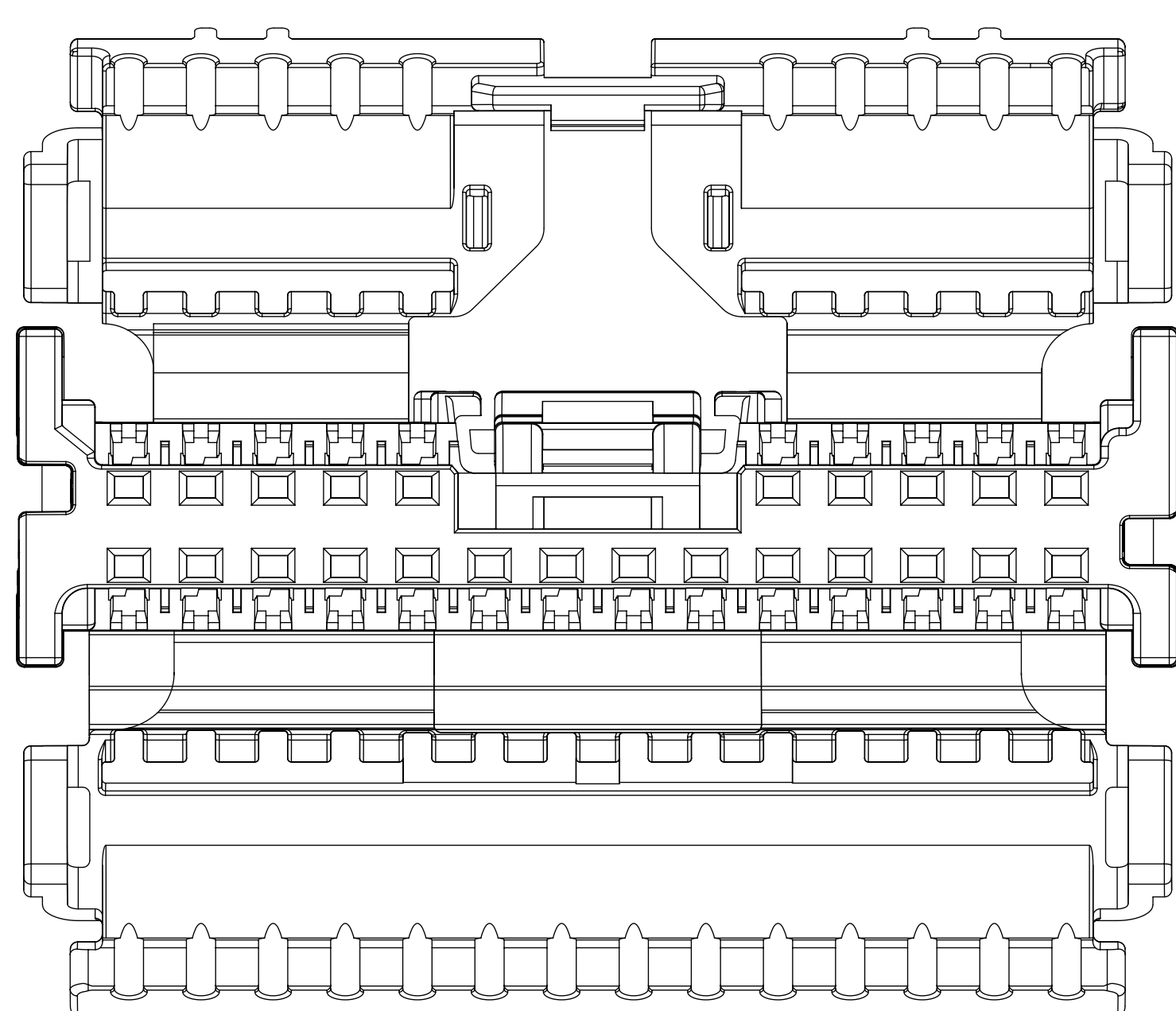
20 CIRCUIT RECEPTACLE WITHOUT LOCK BRIDGE
POLARIZATION OPTION B



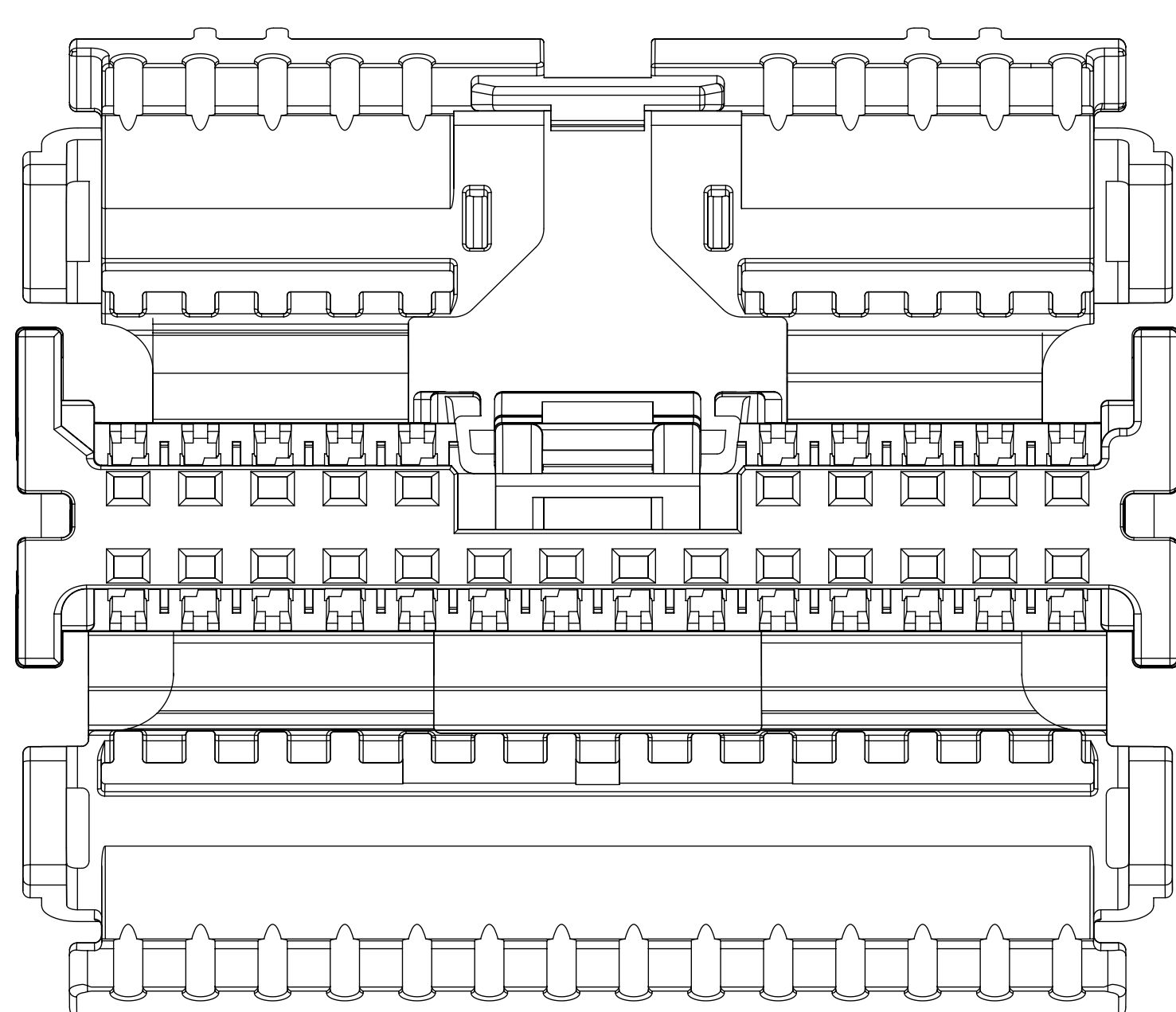
20 CIRCUIT RECEPTACLE WITHOUT LOCK BRIDGE
POLARIZATION OPTION C



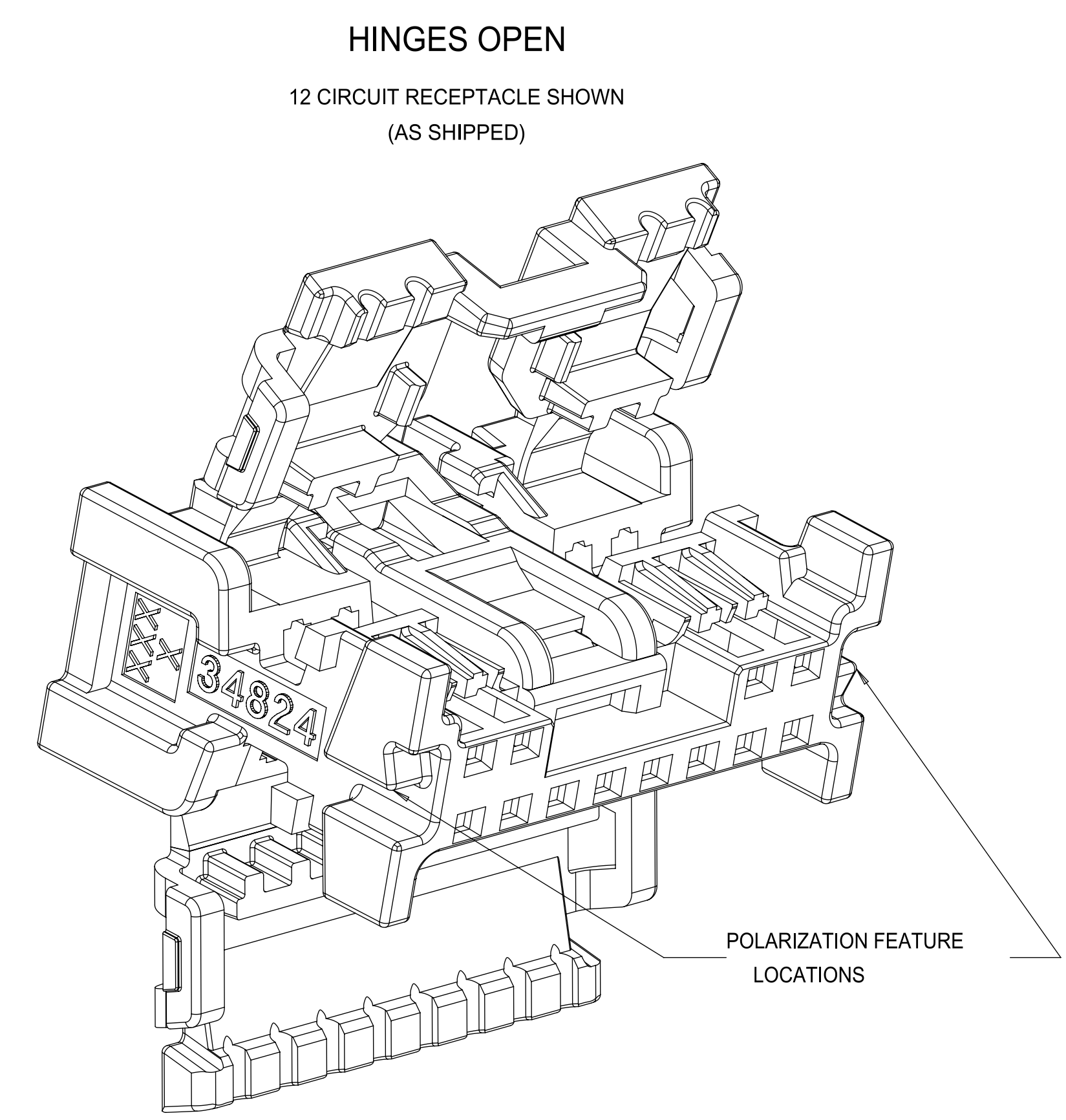
24 CIRCUIT RECEPTACLE WITHOUT LOCK BRIDGE
POLARIZATION OPTION A



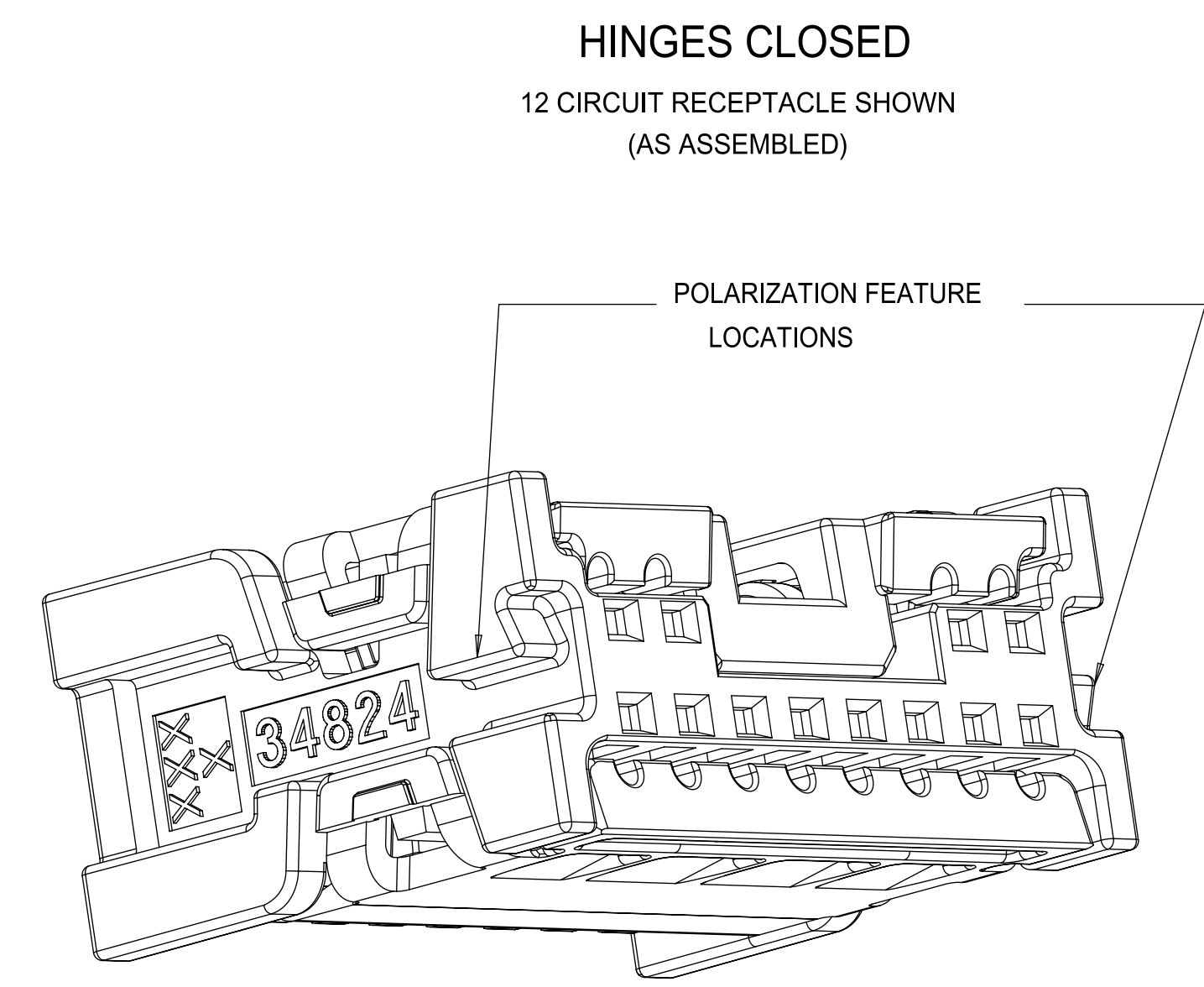
24 CIRCUIT RECEPTACLE WITHOUT LOCK BRIDGE
POLARIZATION OPTION B



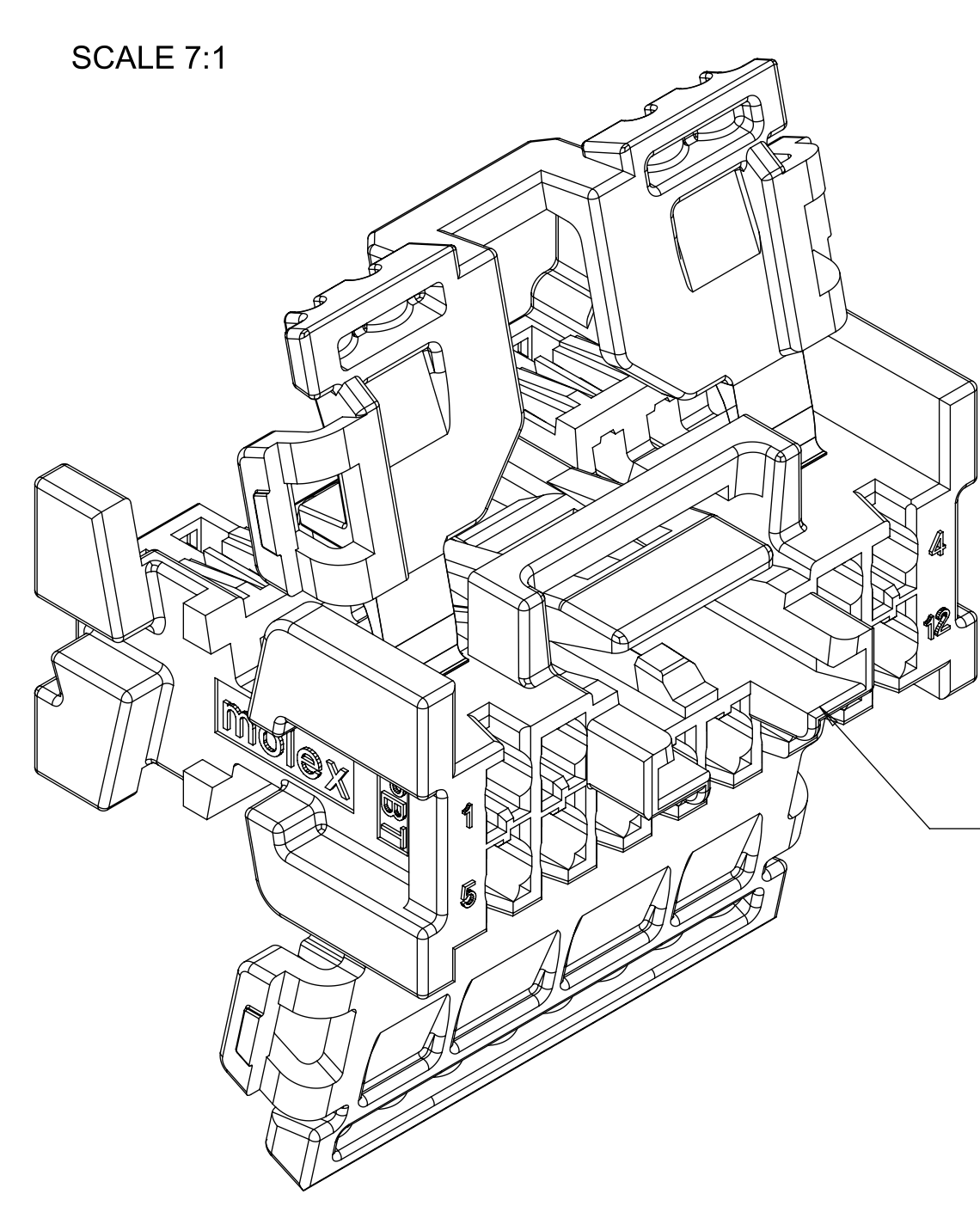
24 CIRCUIT RECEPTACLE WITHOUT LOCK BRIDGE
POLARIZATION OPTION C



HINGES OPEN
12 CIRCUIT RECEPTACLE SHOWN
(AS SHIPPED)



HINGES CLOSED
12 CIRCUIT RECEPTACLE SHOWN
(AS ASSEMBLED)



SCALE 7:1

MINI50 WITH BRIDGE OPTION
COMES WITH CPA TRAY
*REFER TO SD-34824-003 FOR
CPA-RECEPTACLE ASSEMBLIES

INSPECTION BALLOON NUMBER PER DRAWING REVISION: L	
LAST BALLOON USED: 17	UPDATED P/N TABLE TO SHOW MATERIAL
ADDED BALLOON NUMBERS:	L UPDATED 24 CKT
REMOVED BALLOON NUMBERS:	REV DESCRIPTION

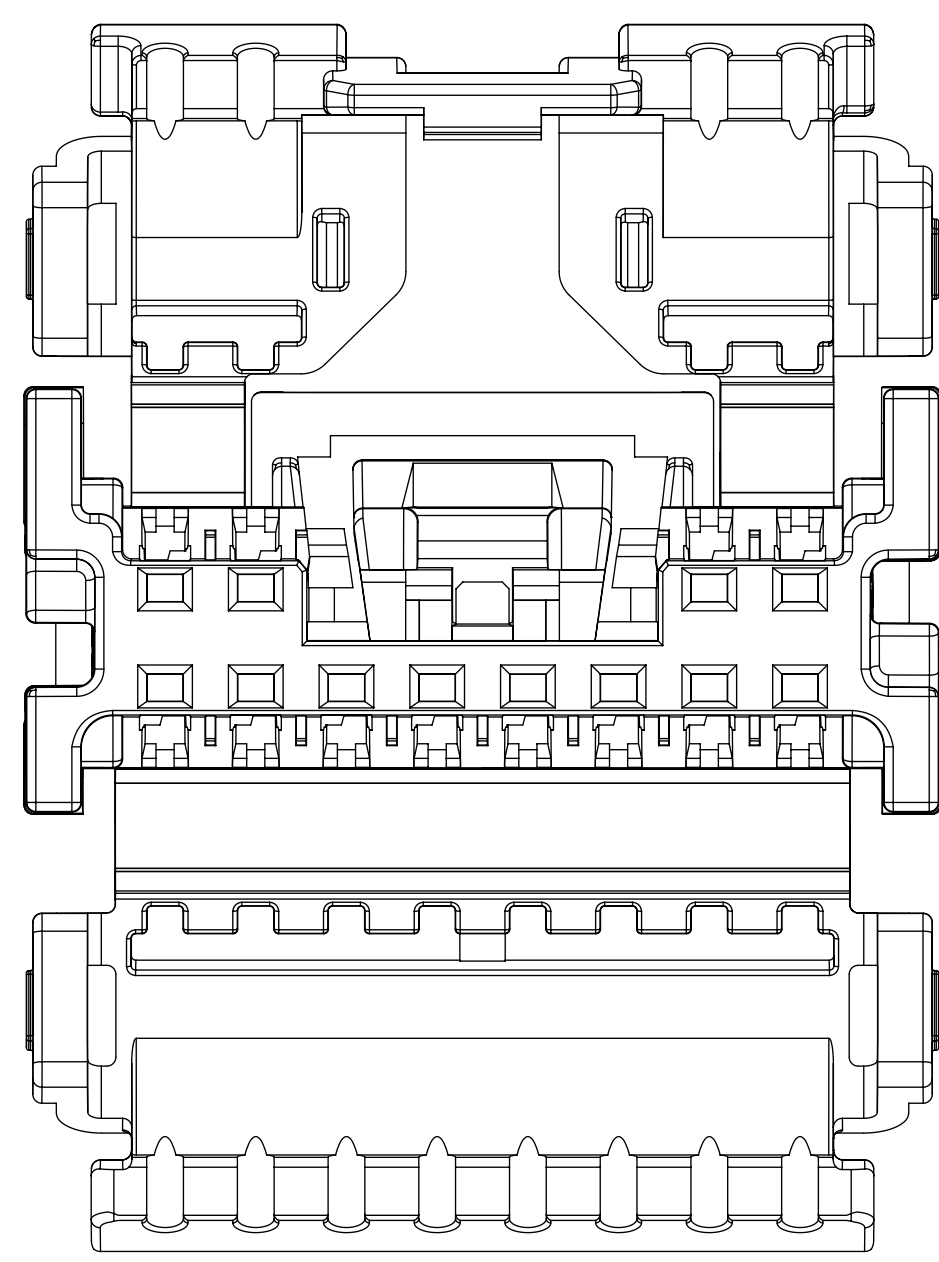
QUALITY SYMBOLS	THIS DRAWING CONTAINS INFORMATION THAT IS PROPRIETARY TO MOLEX ELECTRONIC TECHNOLOGIES, LLC AND SHOULD NOT BE USED WITHOUT WRITTEN PERMISSION
∇ = 0	EC NO: 603994 DRWN: KHEWITT CHK'D: JDUNAJ REV APPR: JDUNAJ 2018/08/02 2018/09/05 2018/09/05 GENERAL TOLERANCES (UNLESS SPECIFIED) DIMENSION UNITS: MM ONLY SCALE: 6:1 DRWN BY: TCUCU DATE: 2011/03/10 CHK'D BY: TMACHUGA DATE: 2011/03/11 APPR BY: SMARCEAU DATE: 2012/05/21 DRAWING SIZE: E THIRD ANGLE PROJECTION DRAFT WHERE APPLICABLE MUST REMAIN WITHIN DIMENSIONS
∇ = 0	
∇ = 0	
∇ = 0	
∇ = 0	
∇ = 0	
∇ = 0	
∇ = 0	
∇ = 0	
∇ = 0	

molex

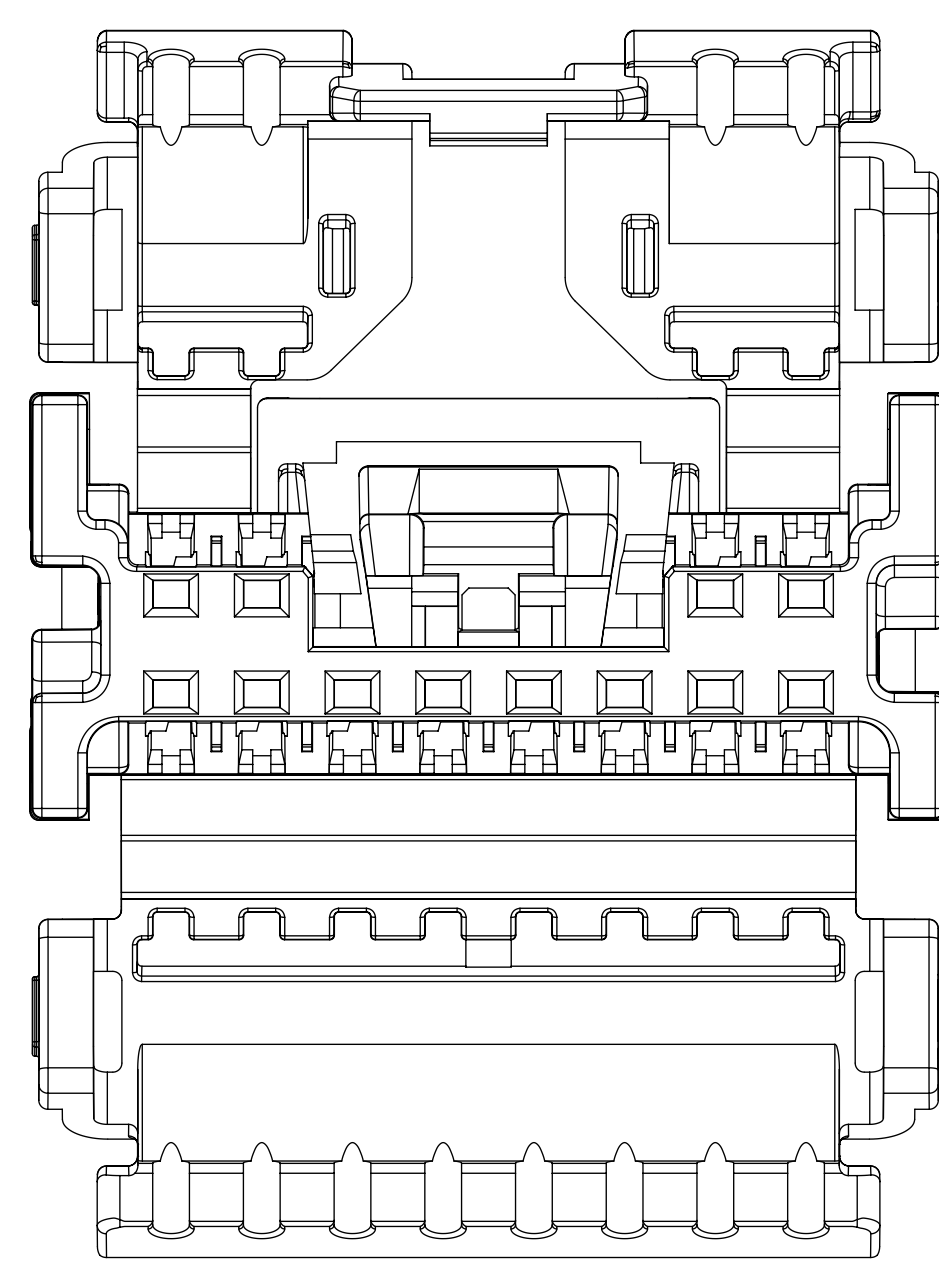
MINI50 DUAL ROW
RECEPTACLE SALES DRAWING

PRODUCT CUSTOMER DRAWING

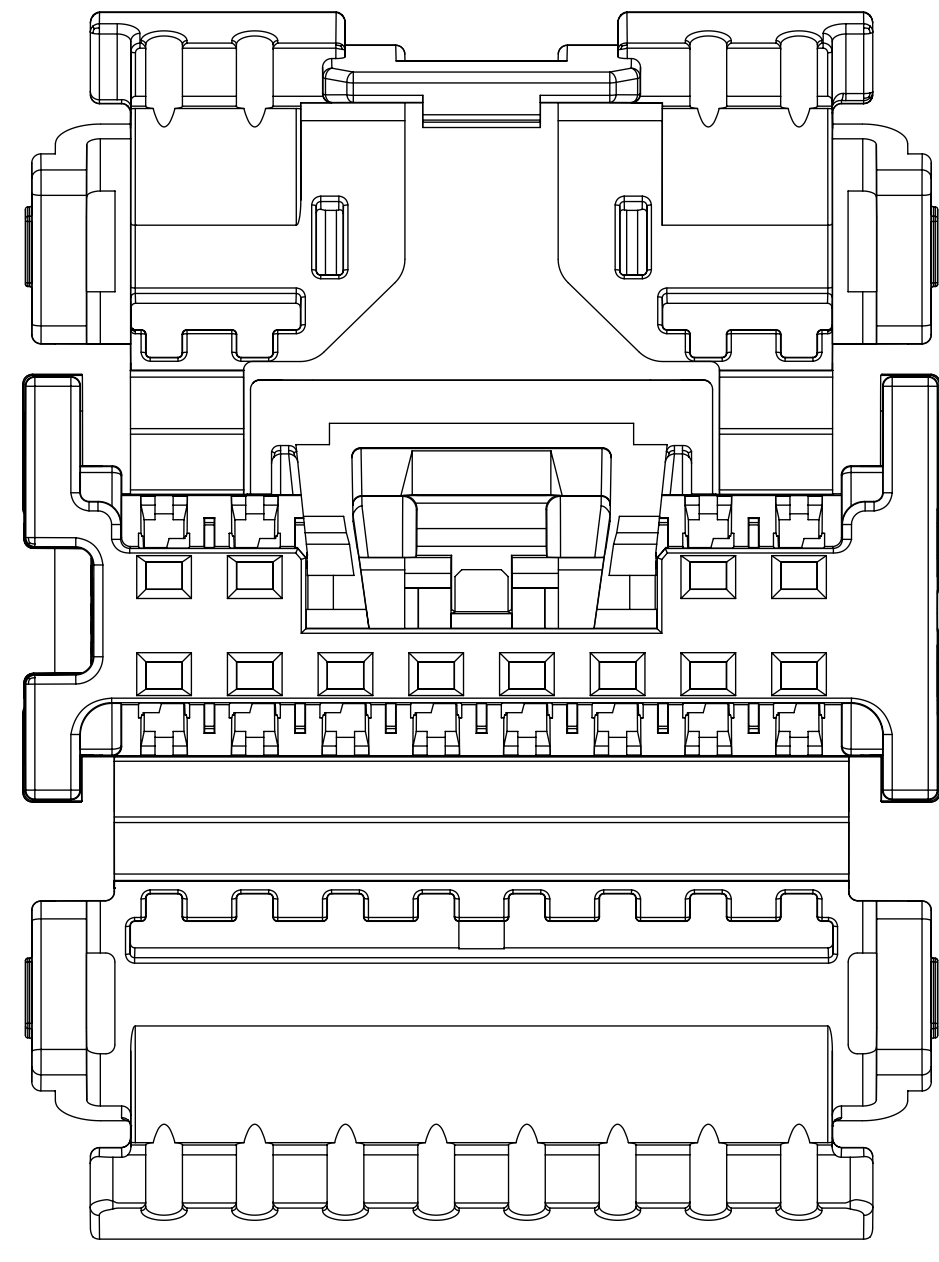
SERIES	MATERIAL NUMBER	CUSTOMER
34824	SEE TABLE	GENERAL MARKET
DOCUMENT NUMBER	DOC TYPE	DOC PART SHEET NUMBER
SD-34824-002	PSD	001 1 OF 4



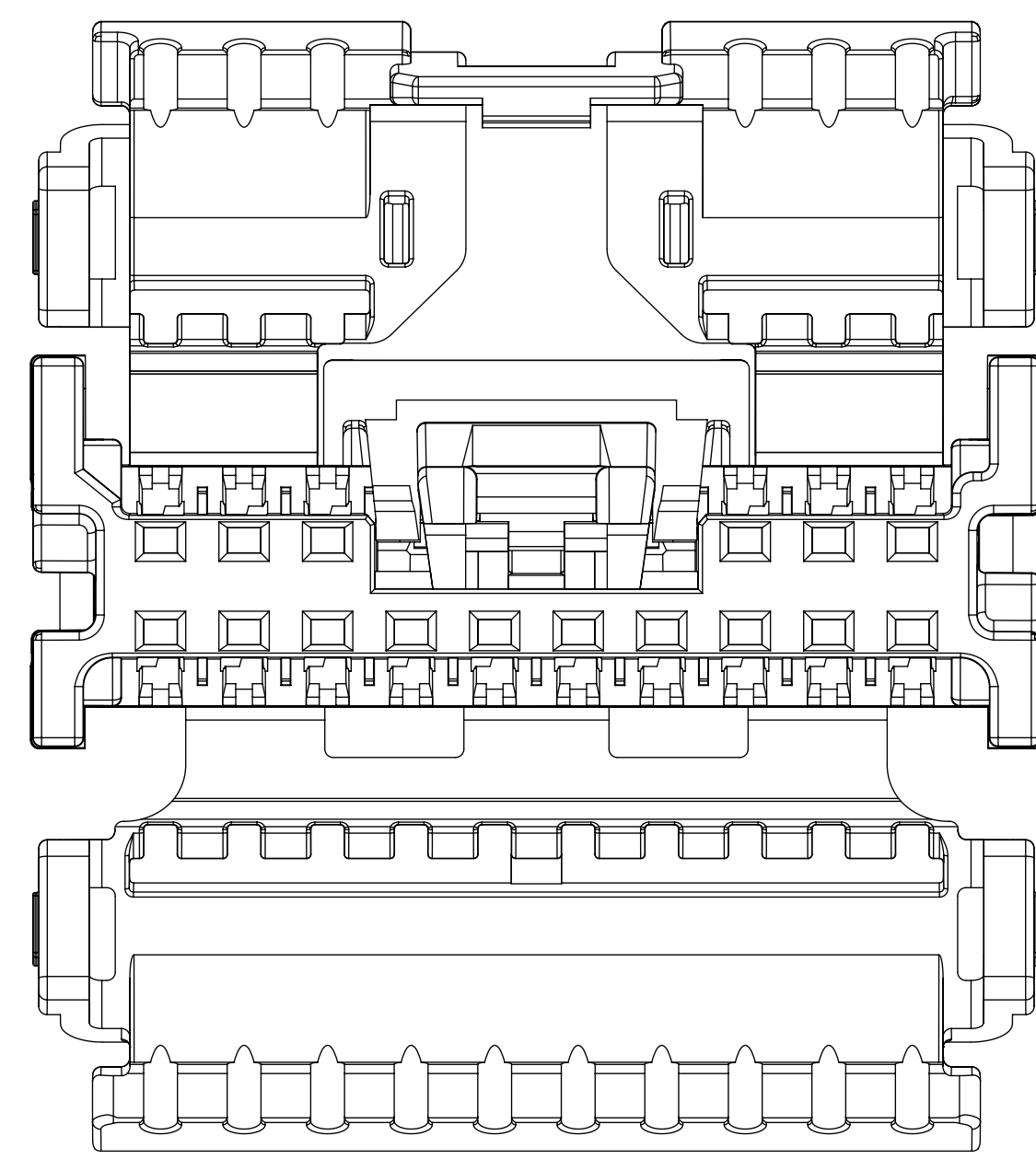
12 CIRCUIT RECEPTACLE WITH LOCK BRIDGE
POLARIZATION OPTION A
USCAR COMPATIBLE



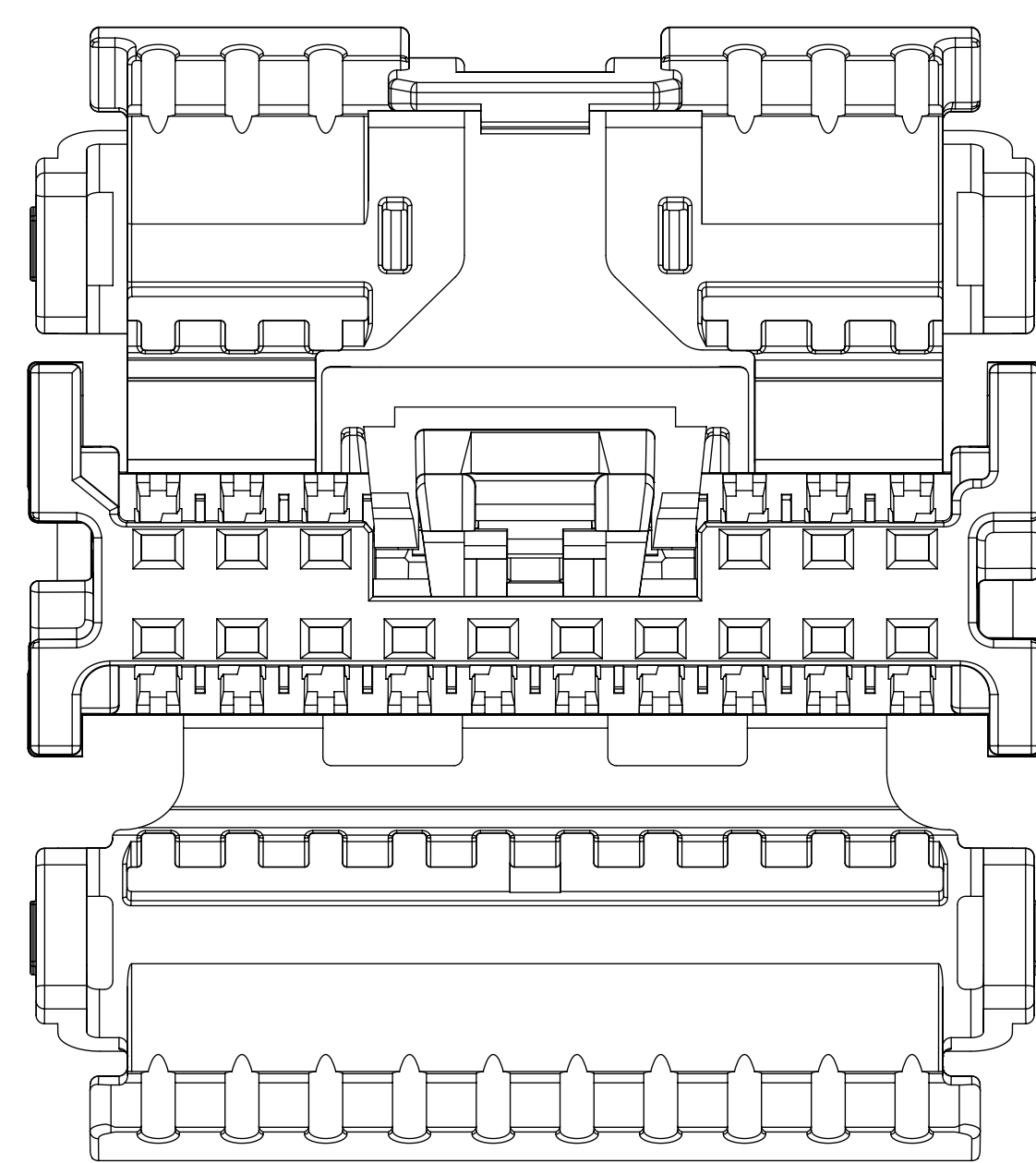
12 CIRCUIT RECEPTACLE WITH LOCK BRIDGE
POLARIZATION OPTION B
USCAR COMPATIBLE



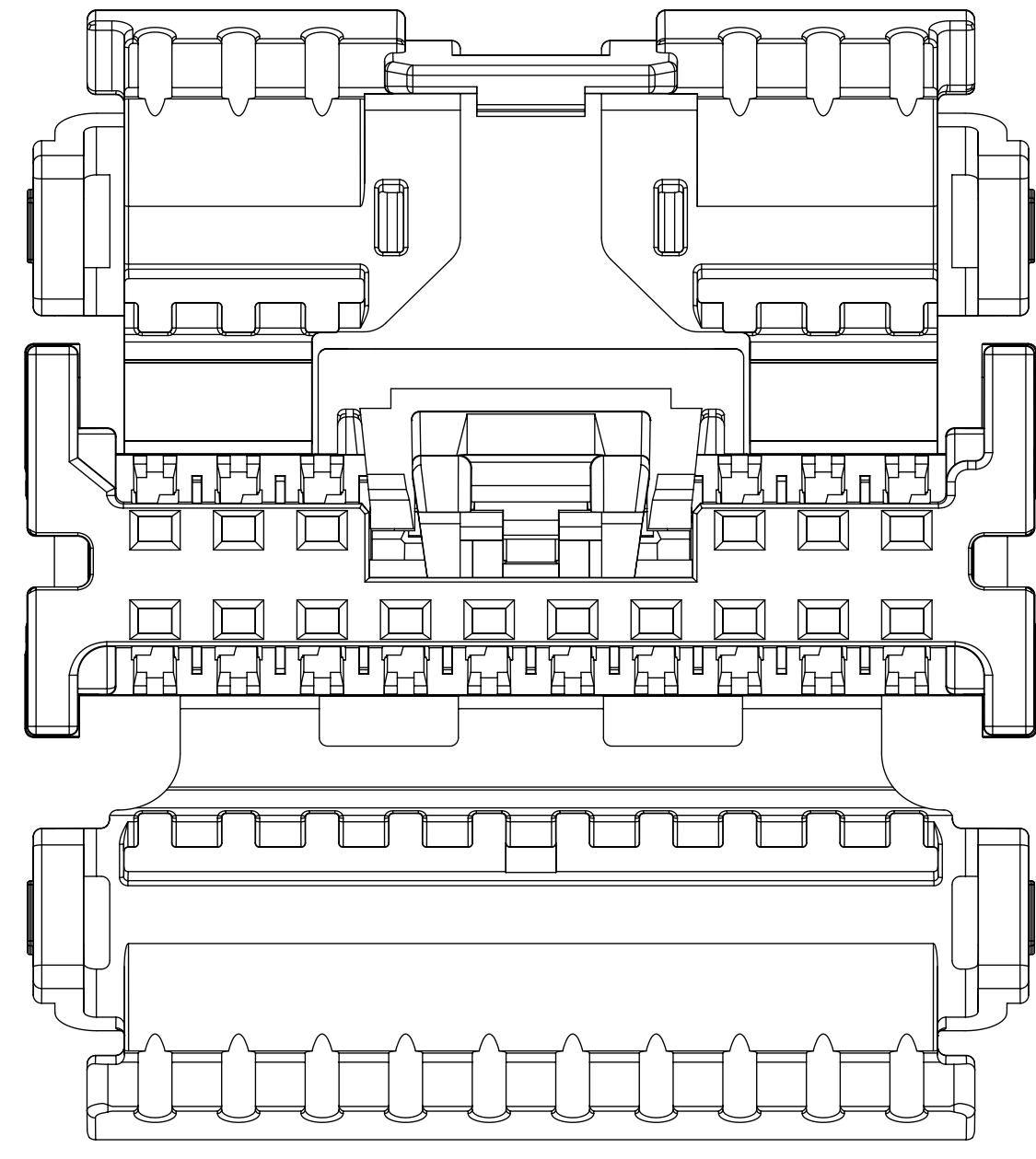
12 CIRCUIT RECEPTACLE WITH LOCK BRIDGE
POLARIZATION OPTION C
USCAR COMPATIBLE



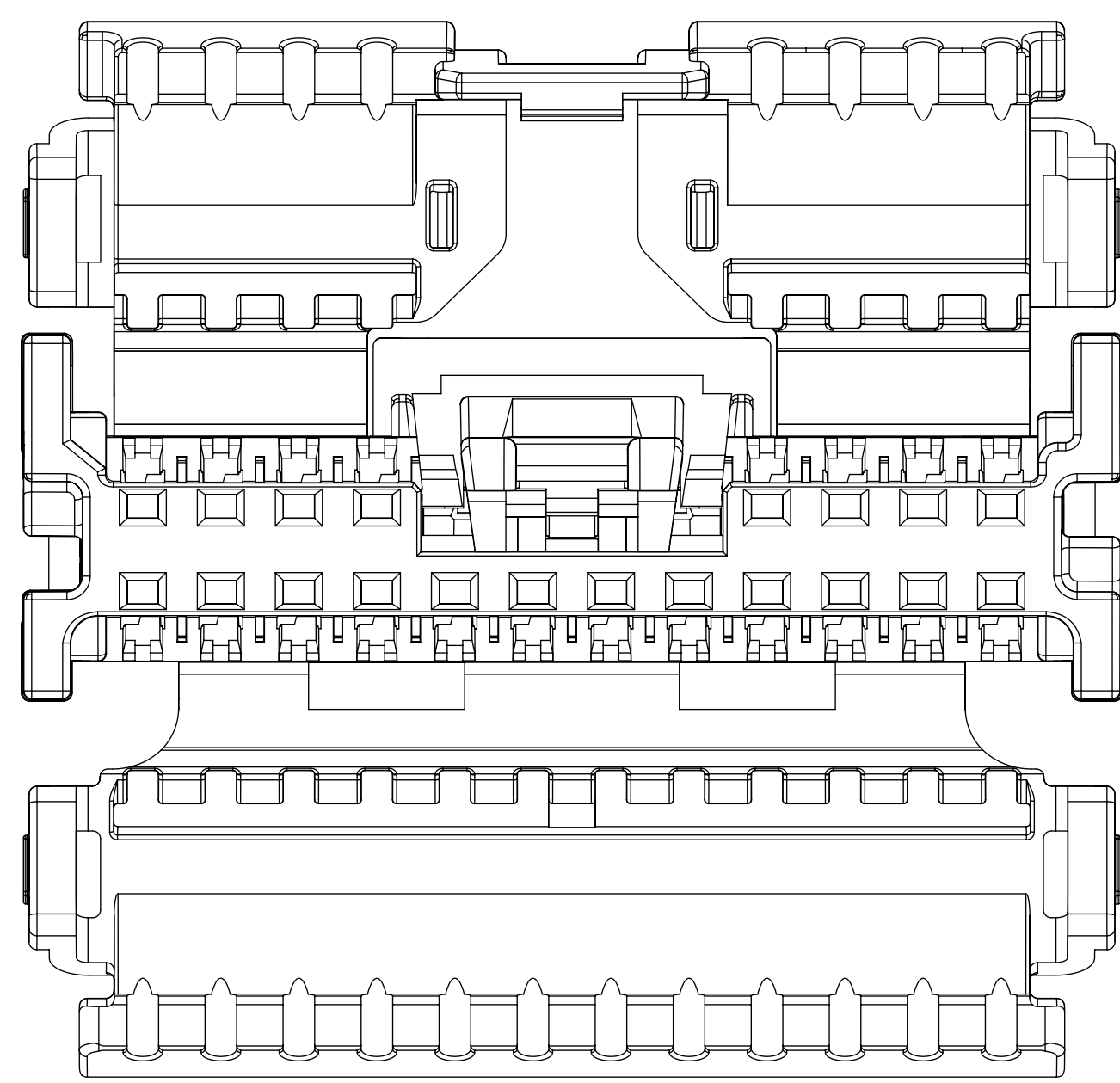
16 CIRCUIT RECEPTACLE WITH LOCK BRIDGE
POLARIZATION OPTION A



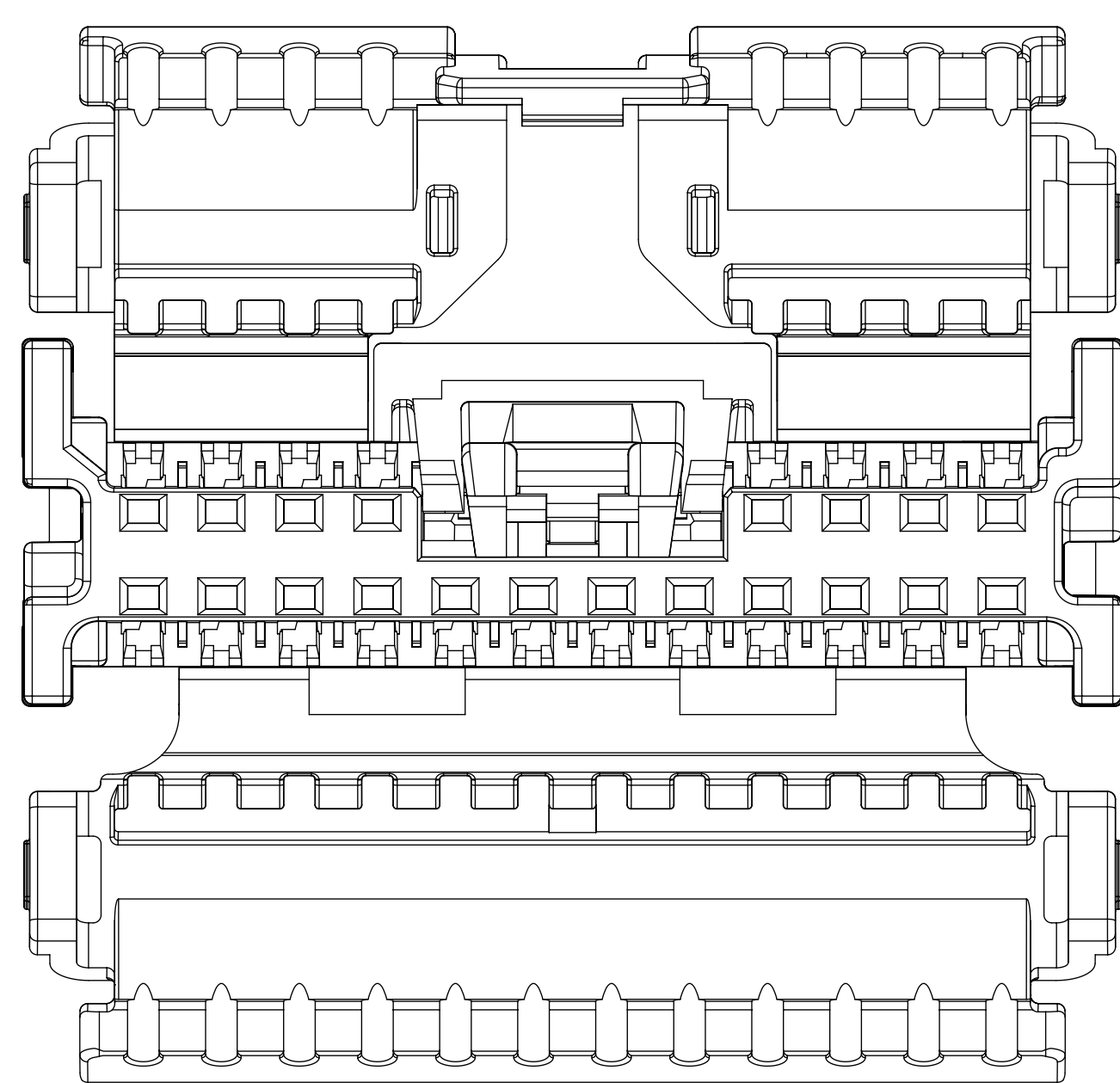
16 CIRCUIT RECEPTACLE WITH LOCK BRIDGE
POLARIZATION OPTION B



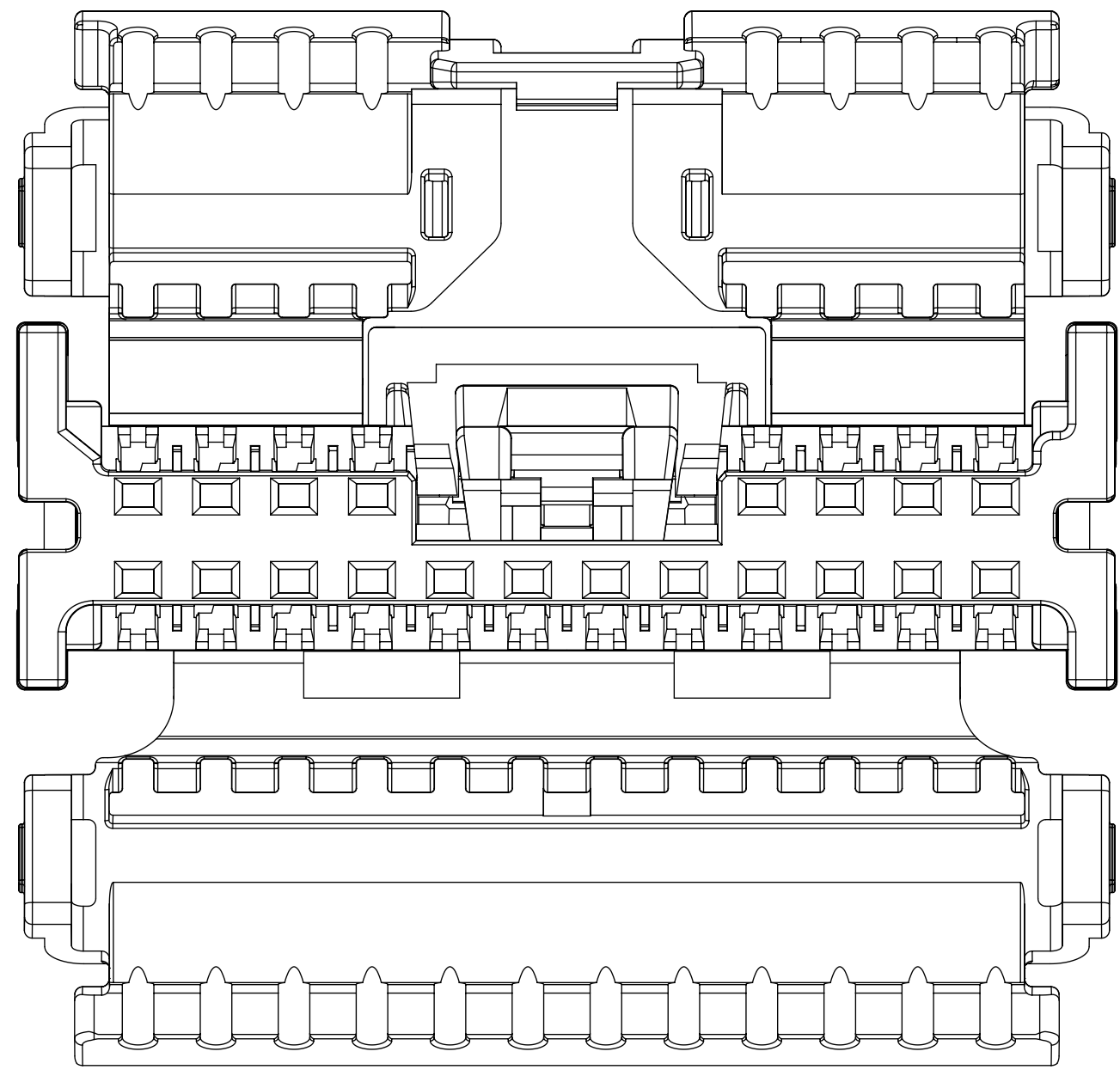
16 CIRCUIT RECEPTACLE WITH LOCK BRIDGE
POLARIZATION OPTION C



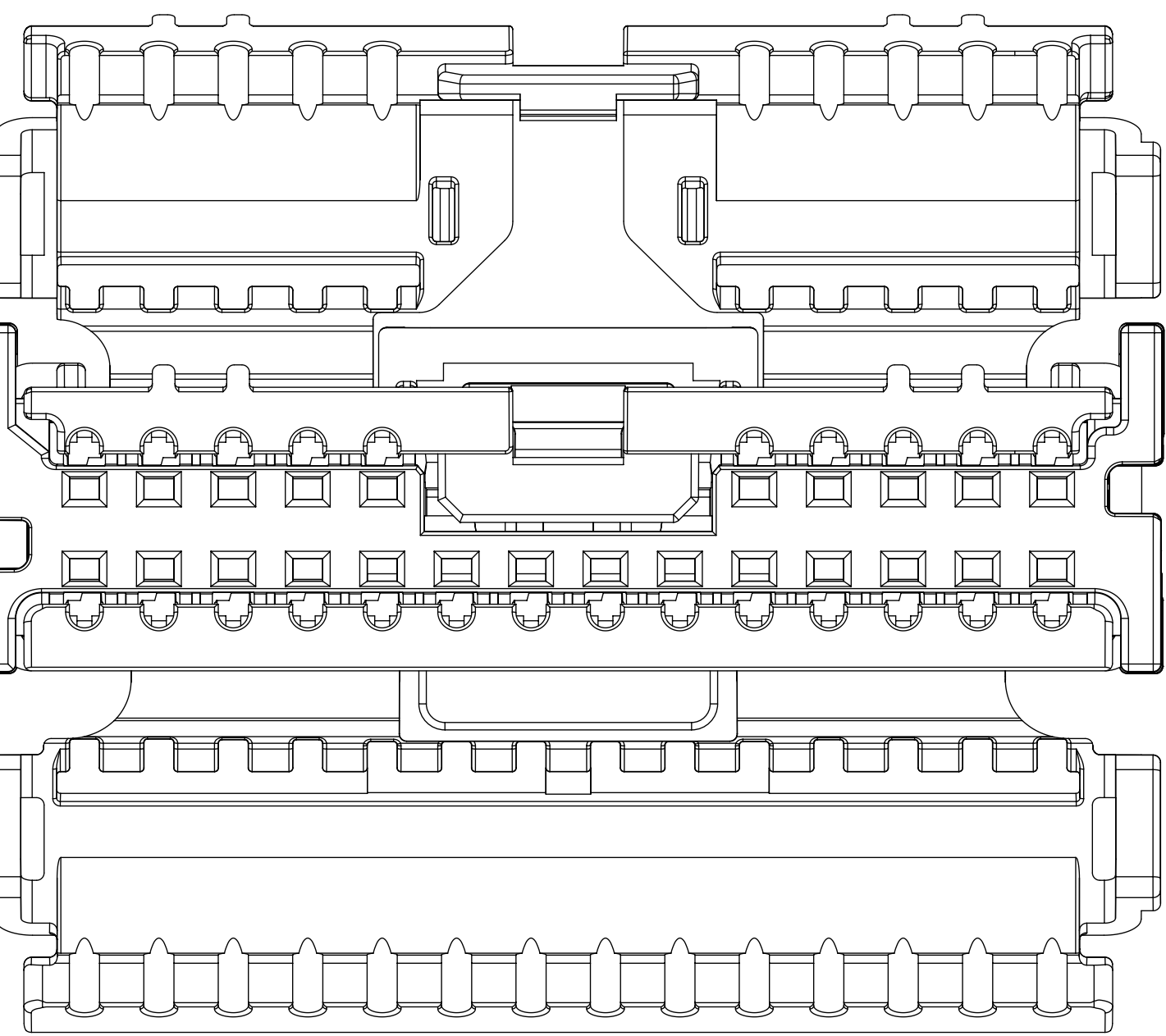
20 CIRCUIT RECEPTACLE WITH LOCK BRIDGE
POLARIZATION OPTION A



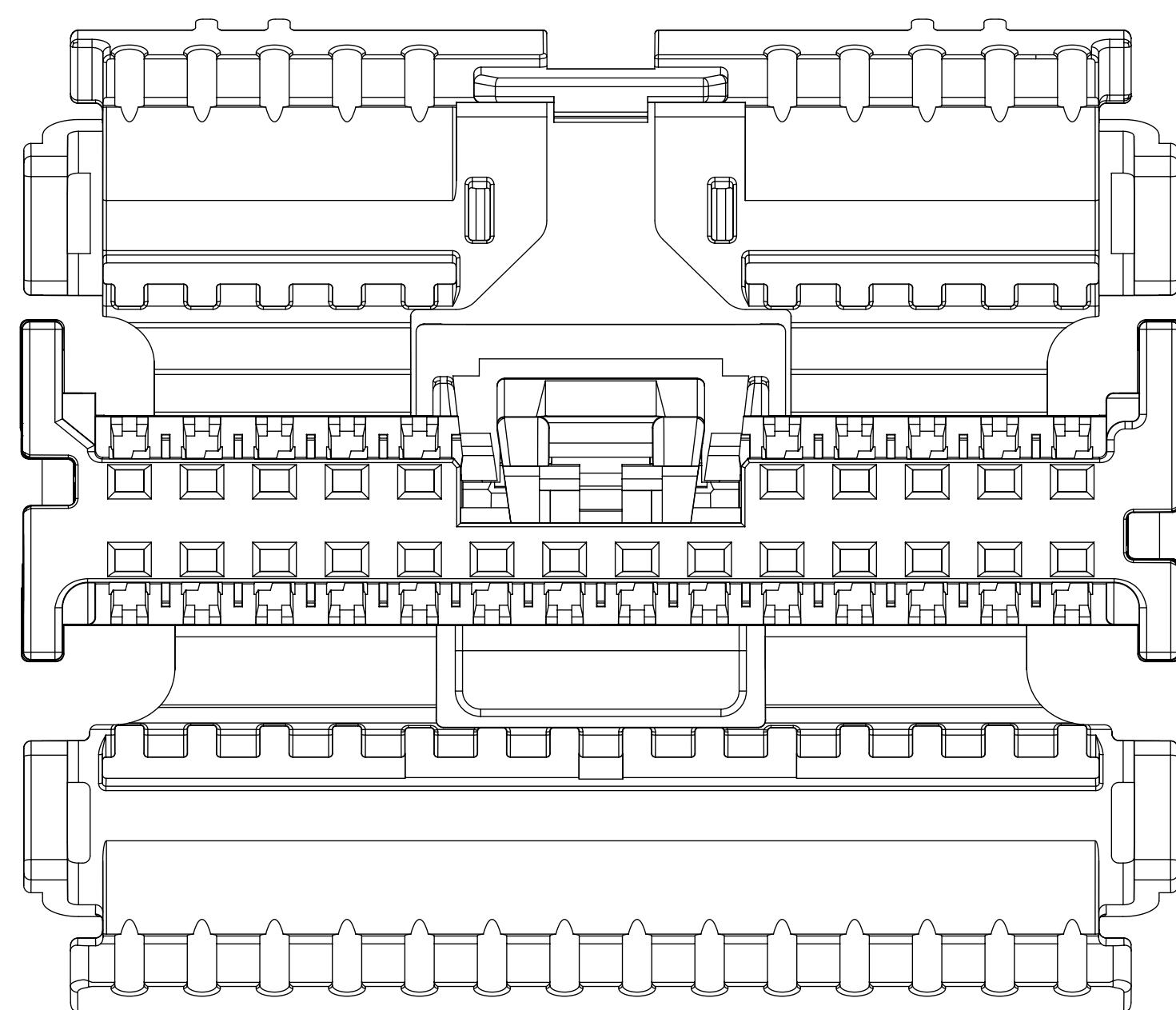
20 CIRCUIT RECEPTACLE WITH LOCK BRIDGE
POLARIZATION OPTION B



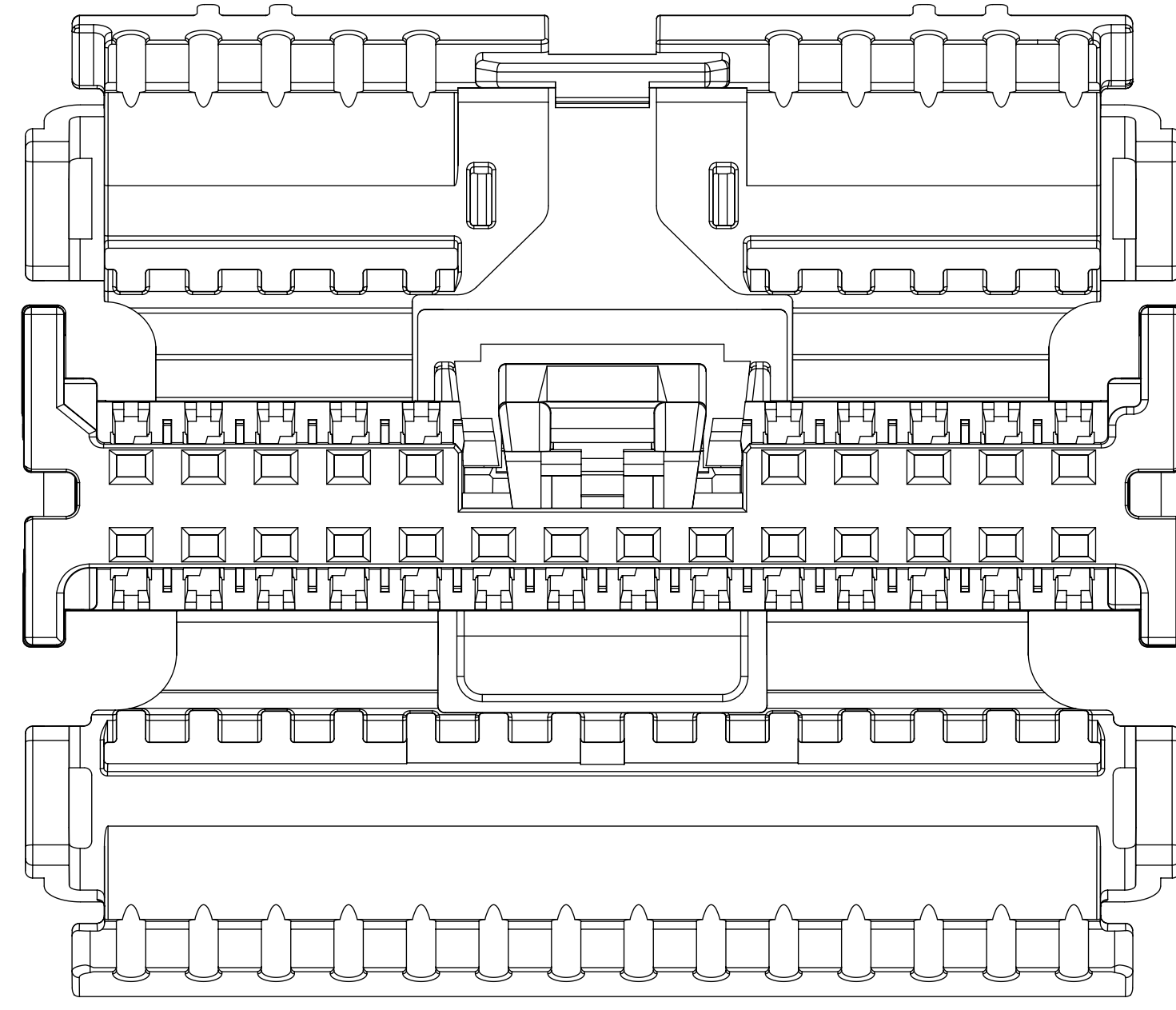
20 CIRCUIT RECEPTACLE WITH LOCK BRIDGE
POLARIZATION OPTION C



24 CIRCUIT RECEPTACLE WITH LOCK BRIDGE
POLARIZATION OPTION A



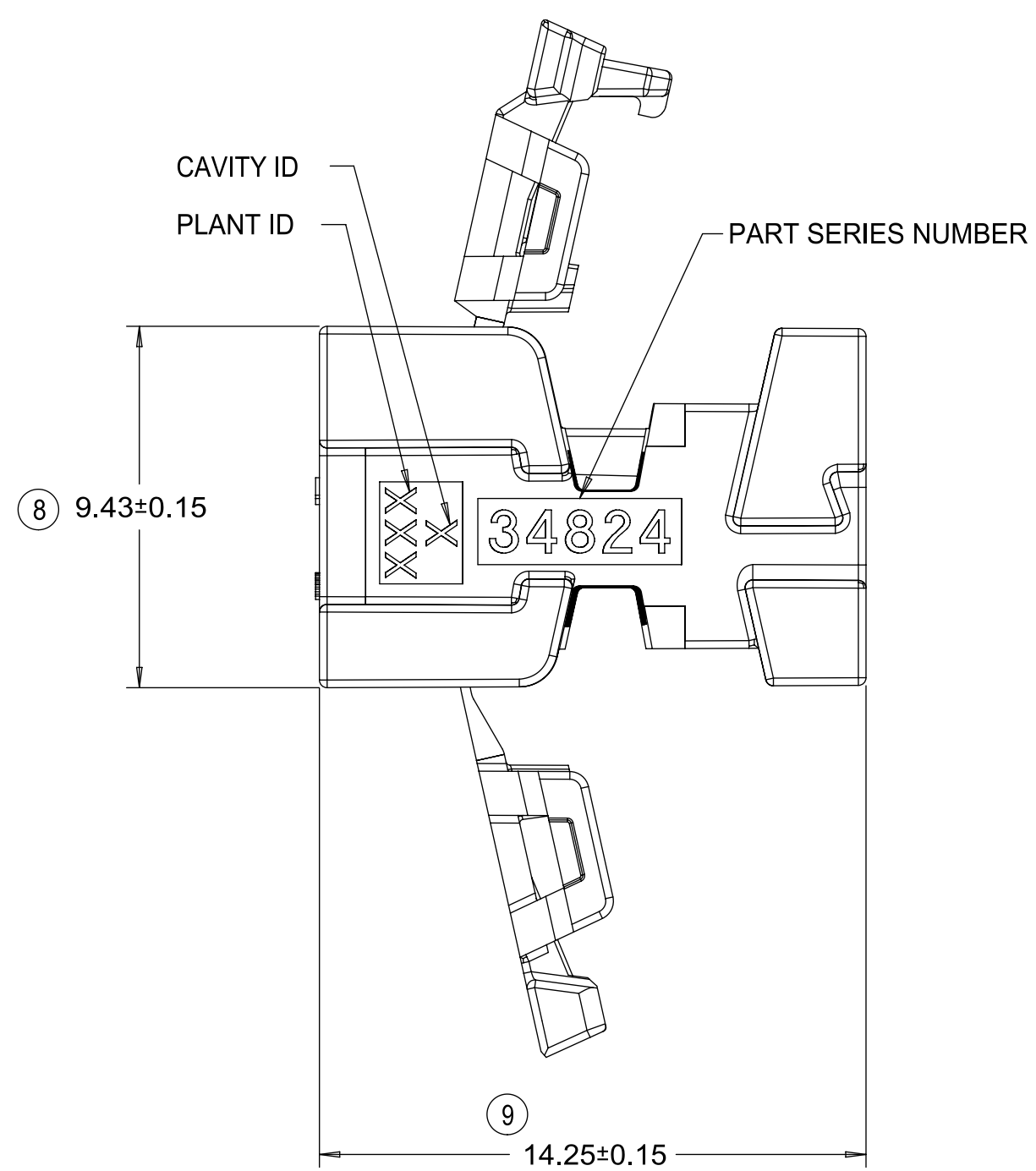
24 CIRCUIT RECEPTACLE WITH LOCK BRIDGE
POLARIZATION OPTION B



24 CIRCUIT RECEPTACLE WITH LOCK BRIDGE
POLARIZATION OPTION C

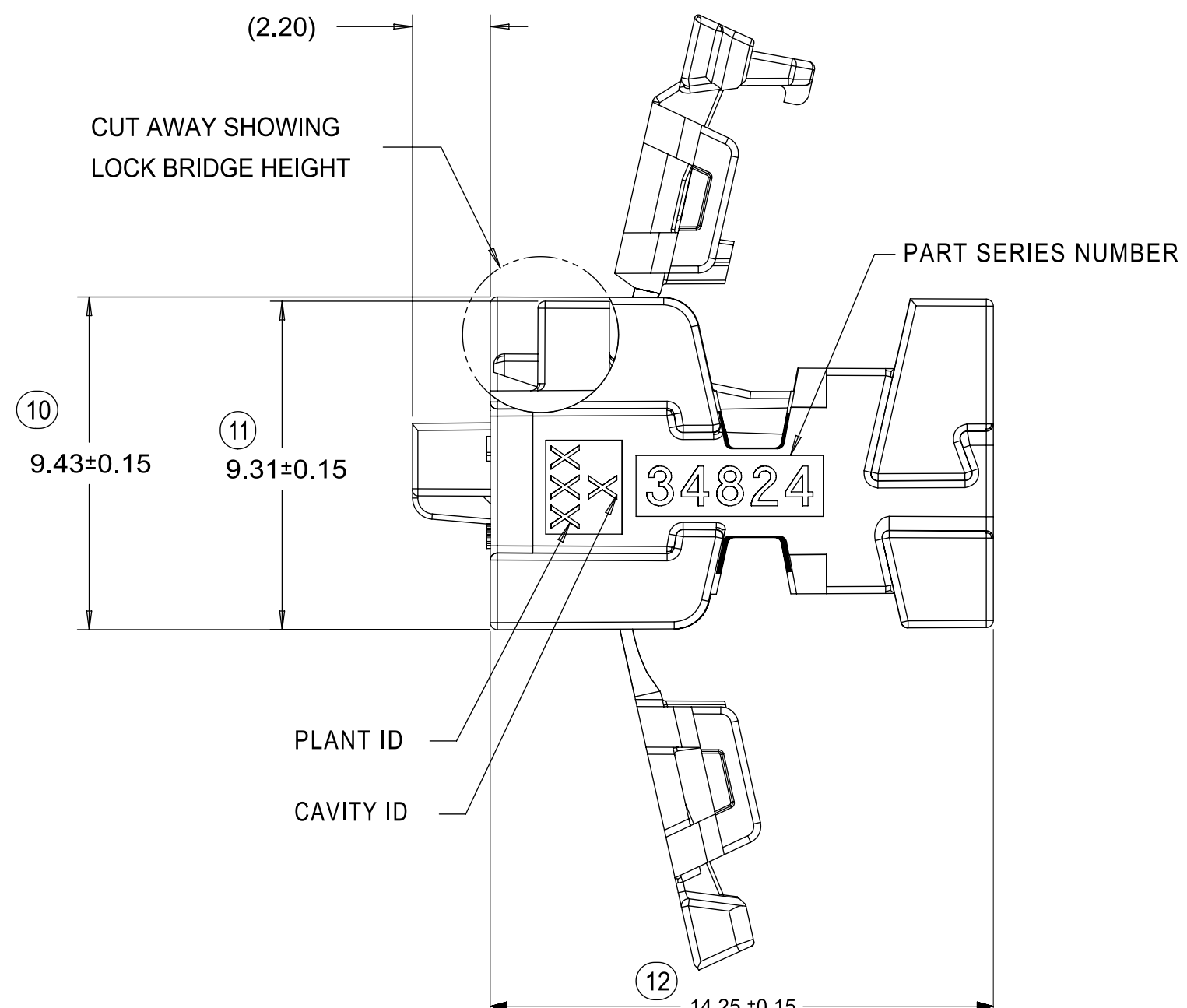
THIS DRAWING CONTAINS INFORMATION THAT IS PROPRIETARY TO MOLEX ELECTRONIC TECHNOLOGIES, LLC AND SHOULD NOT BE USED WITHOUT WRITTEN PERMISSION																							
QUALITY SYMBOLS 	EC NO: 603994	2018/08/02	GENERAL TOLERANCES (UNLESS SPECIFIED)	DIMENSION UNITS	SCALE																		
	DRWN: KHEWITT	2018/09/05	ANGULAR TOL ± °	MM ONLY	6:1																		
	CHKD: JDUNAJ	2018/09/05	4 PLACES ±	DRWN BY	DATE	MINI50 DUAL ROW RECEPTACLE SALES DRAWING																	
	REV APPR: JDUNAJ		3 PLACES ±	TCUCU	2011/03/10																		
			2 PLACES ± 0.1	CHK'D BY	DATE	PRODUCT CUSTOMER DRAWING																	
			1 PLACE ± 0.2	TMACHUGA	2011/03/11																		
			0 PLACES ±	APPR BY	DATE	<table border="1"> <tr> <td>SERIES</td> <td>MATERIAL NUMBER</td> <td>CUSTOMER</td> </tr> <tr> <td>34824</td> <td>SEE TABLE</td> <td>GENERAL MARKET</td> </tr> <tr> <td>DOCUMENT NUMBER</td> <td>DOC TYPE</td> <td>DOC PART</td> <td>SHEET NUMBER</td> </tr> <tr> <td>SD-34824-002</td> <td>PSD</td> <td>001</td> <td>2 OF 4</td> </tr> </table>				SERIES	MATERIAL NUMBER	CUSTOMER	34824	SEE TABLE	GENERAL MARKET	DOCUMENT NUMBER	DOC TYPE	DOC PART	SHEET NUMBER	SD-34824-002	PSD	001	2 OF 4
	SERIES	MATERIAL NUMBER	CUSTOMER																				
	34824	SEE TABLE	GENERAL MARKET																				
	DOCUMENT NUMBER	DOC TYPE	DOC PART	SHEET NUMBER																			
SD-34824-002	PSD	001	2 OF 4																				
		DRAFT WHERE APPLICABLE MUST REMAIN WITHIN DIMENSIONS	DRAWING SIZE	THIRD ANGLE PROJECTION																			
			E																				

(NON-BRIDGED OPTION SHOWN BELOW)

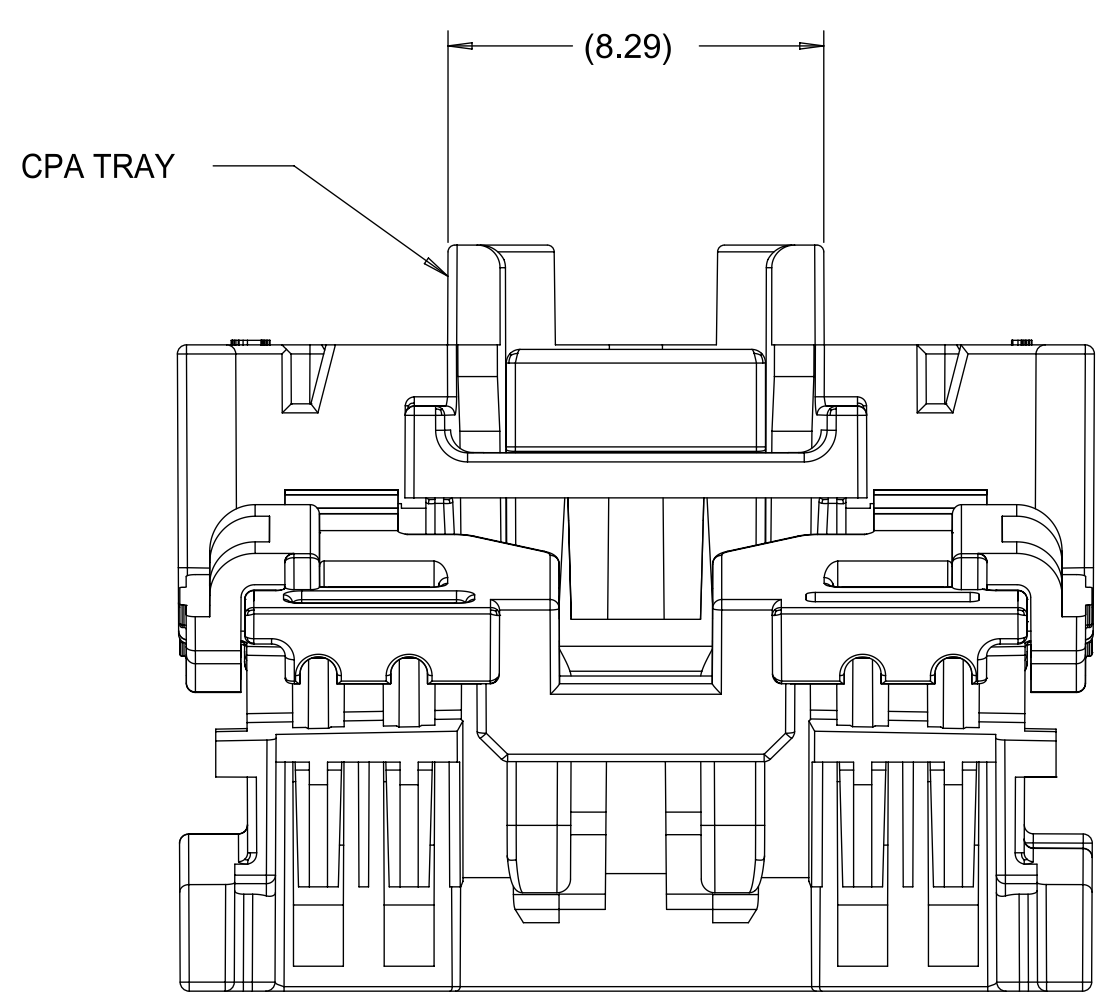


*NOTE: DIM 9 & DIM 12 TOLERANCE IS +0.30/-0.15 FOR THE FOLLOWING P/NS:
 34824-0164/5/6; 34824-1164/5/6
 34824-0204/5/6; 34824-1204/5/6
 34824-0244/5/6; 34824-1244/5/6

(BRIDGED OPTION SHOWN BELOW)

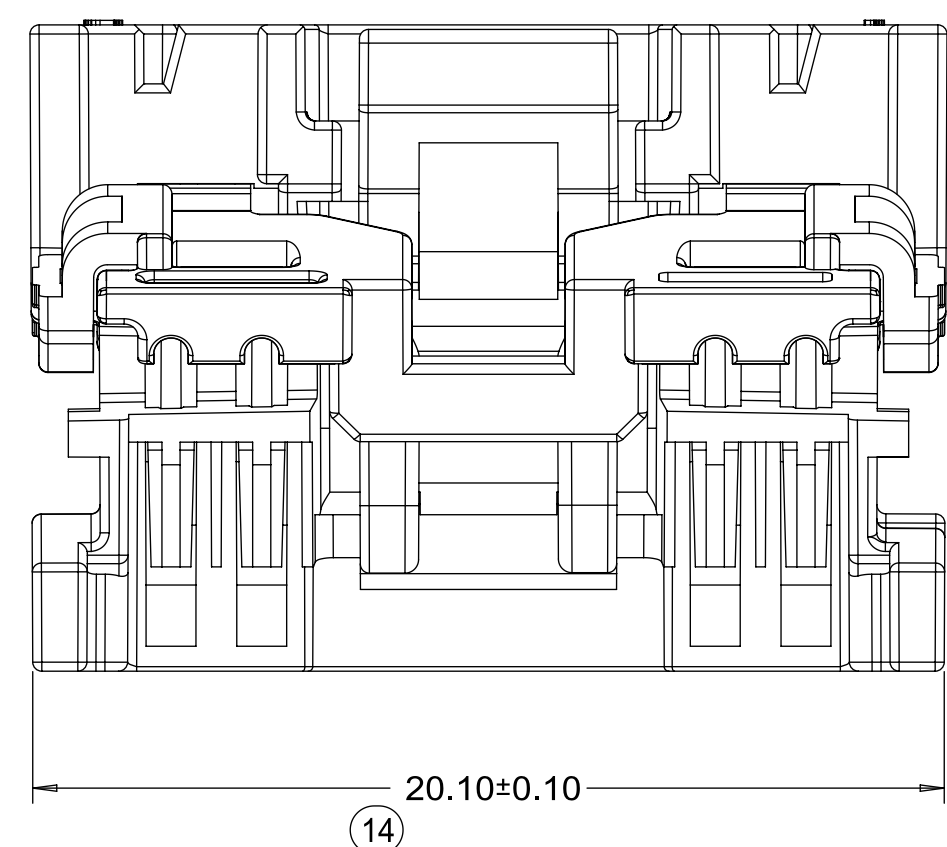


*NOTE: DIM 9 & DIM 12 TOLERANCE IS +0.30/-0.15 FOR THE FOLLOWING P/NS:
 34824-0164/5/6; 34824-1164/5/6
 34824-0204/5/6; 34824-1204/5/6
 34824-0244/5/6; 34824-1244/5/6

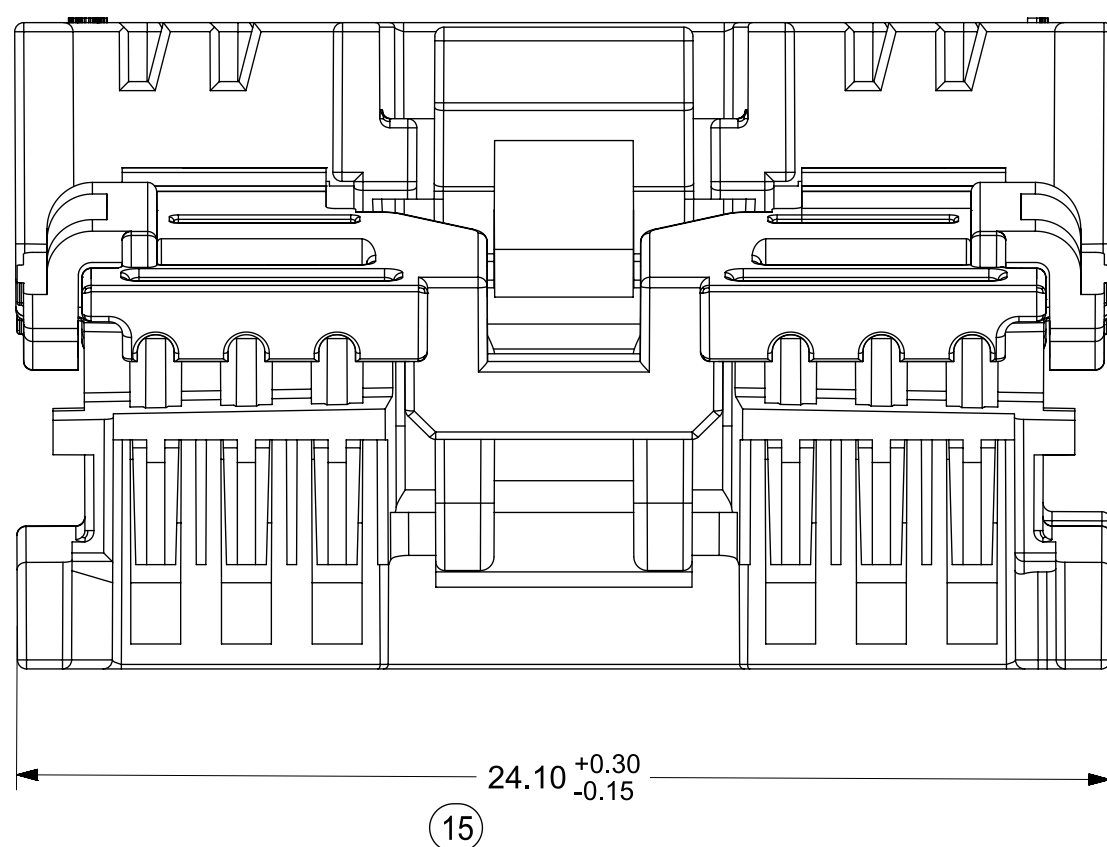


(BRIDGED OPTION SHOWN)

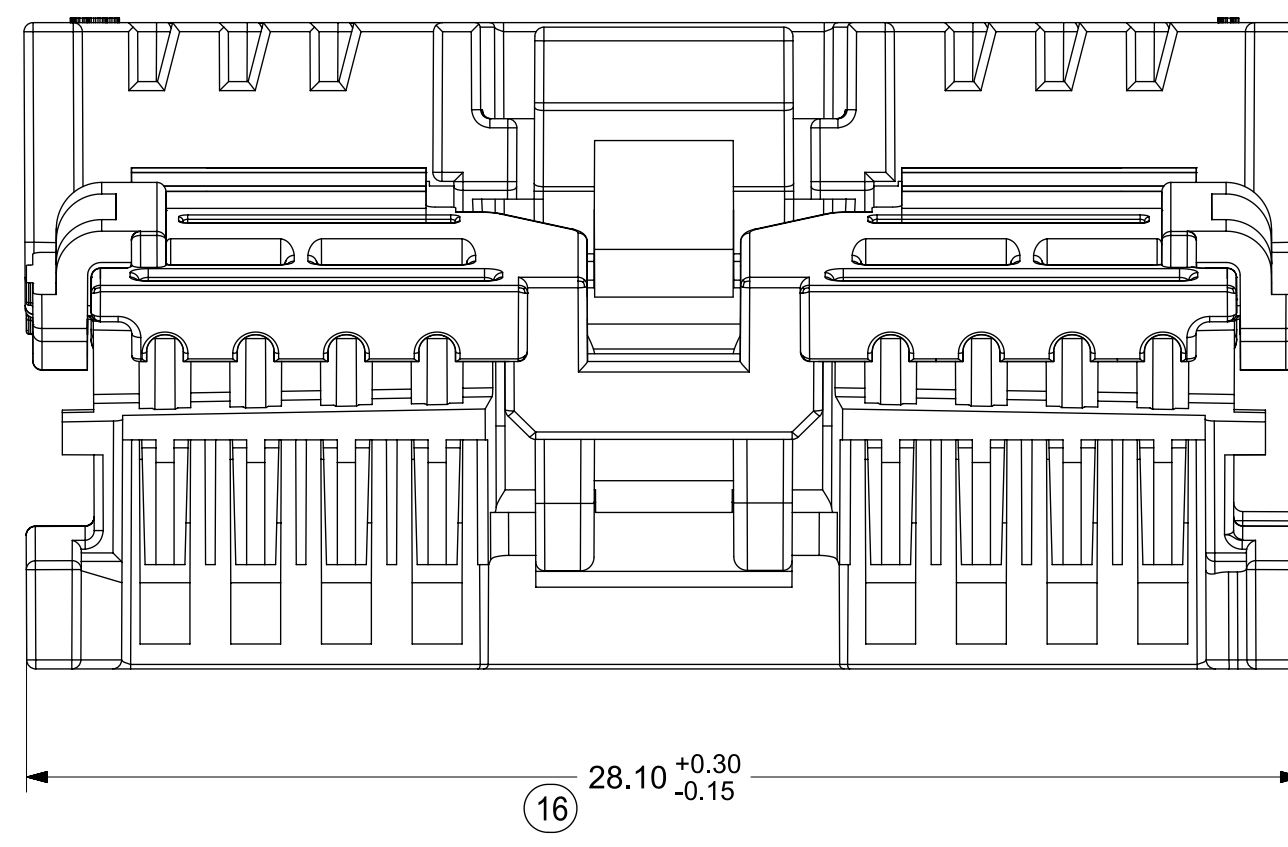
12 CIRCUIT USCAR COMPATIBLE RECEPTACLE



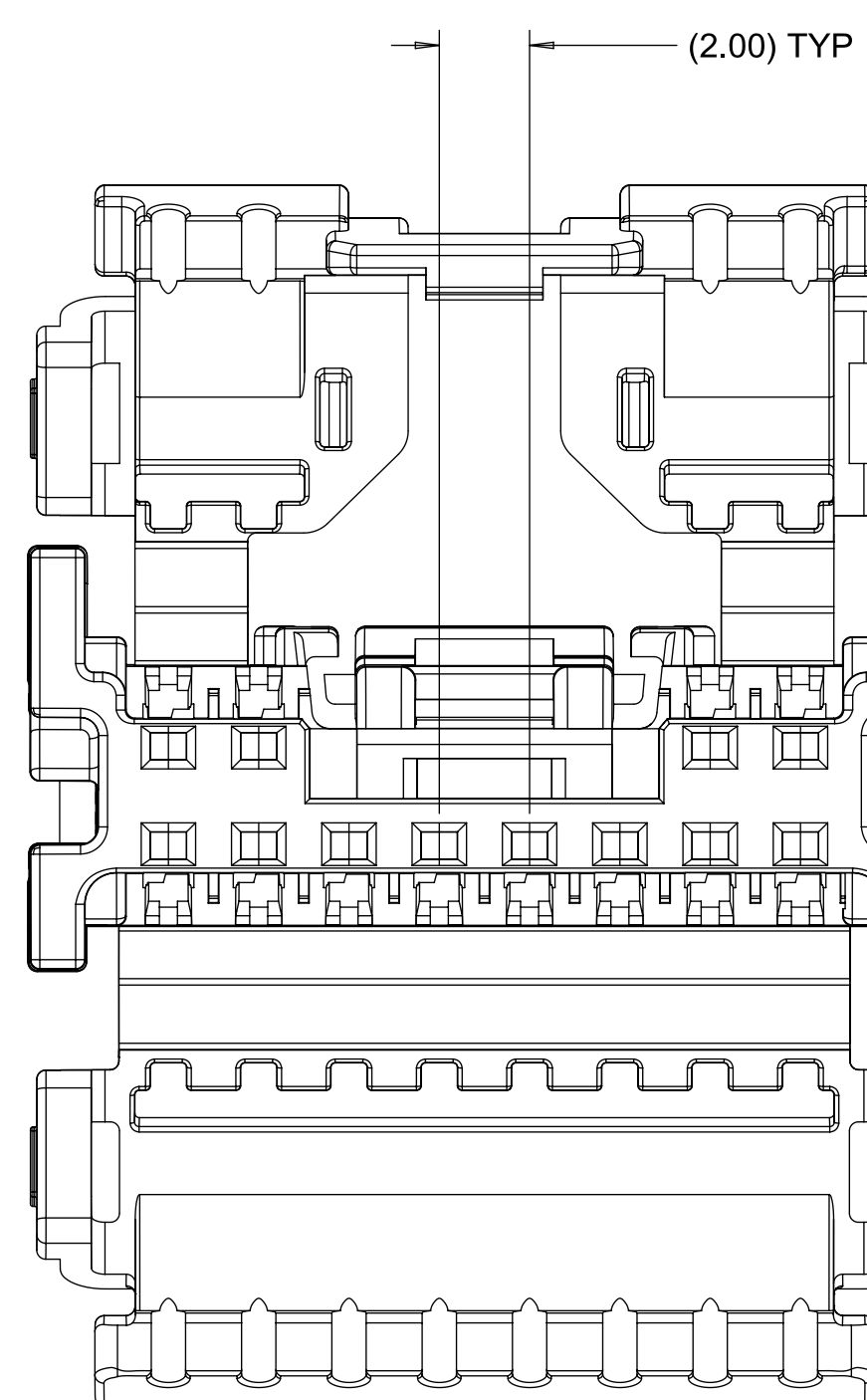
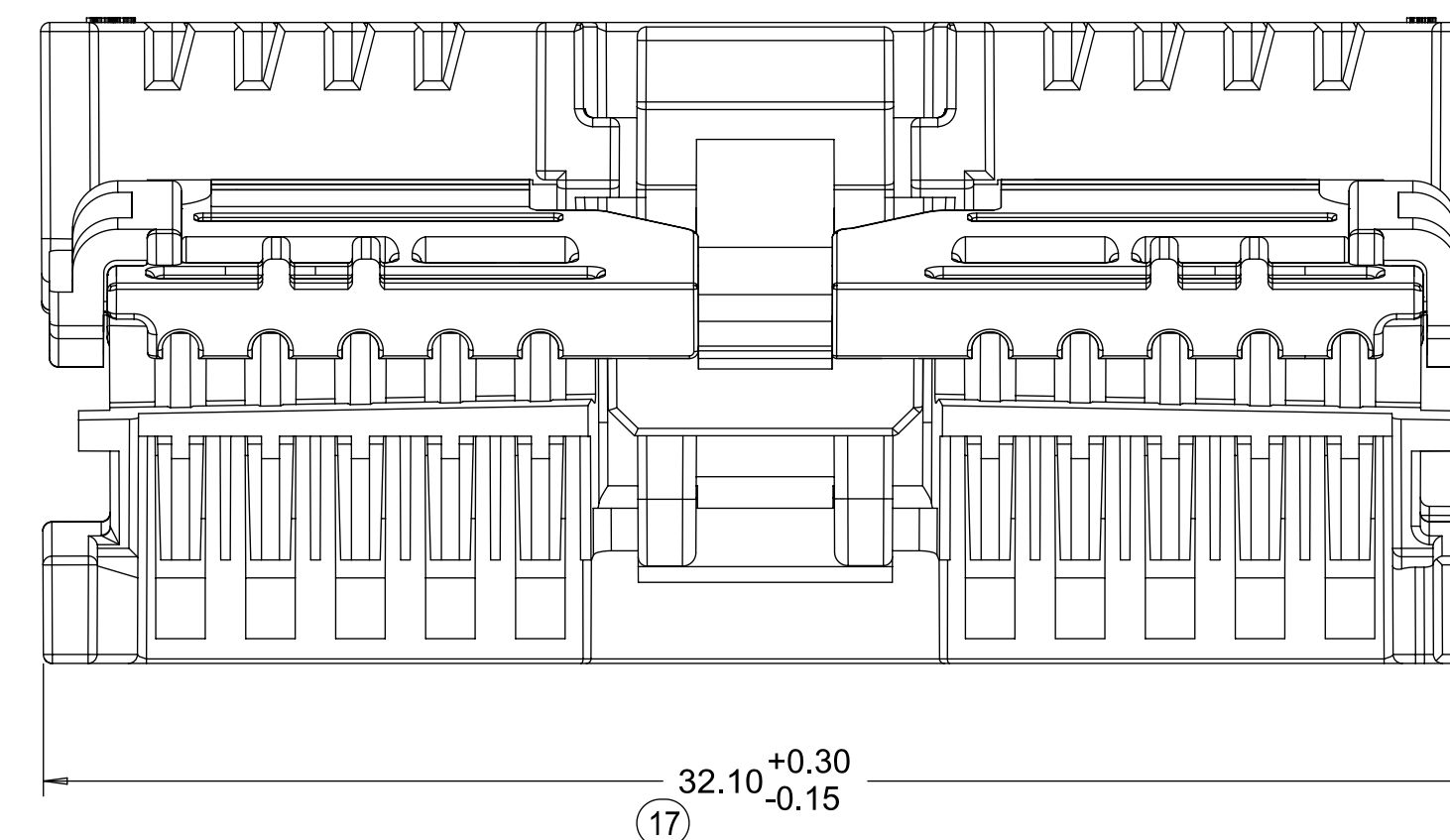
16 CIRCUIT RECEPTACLE



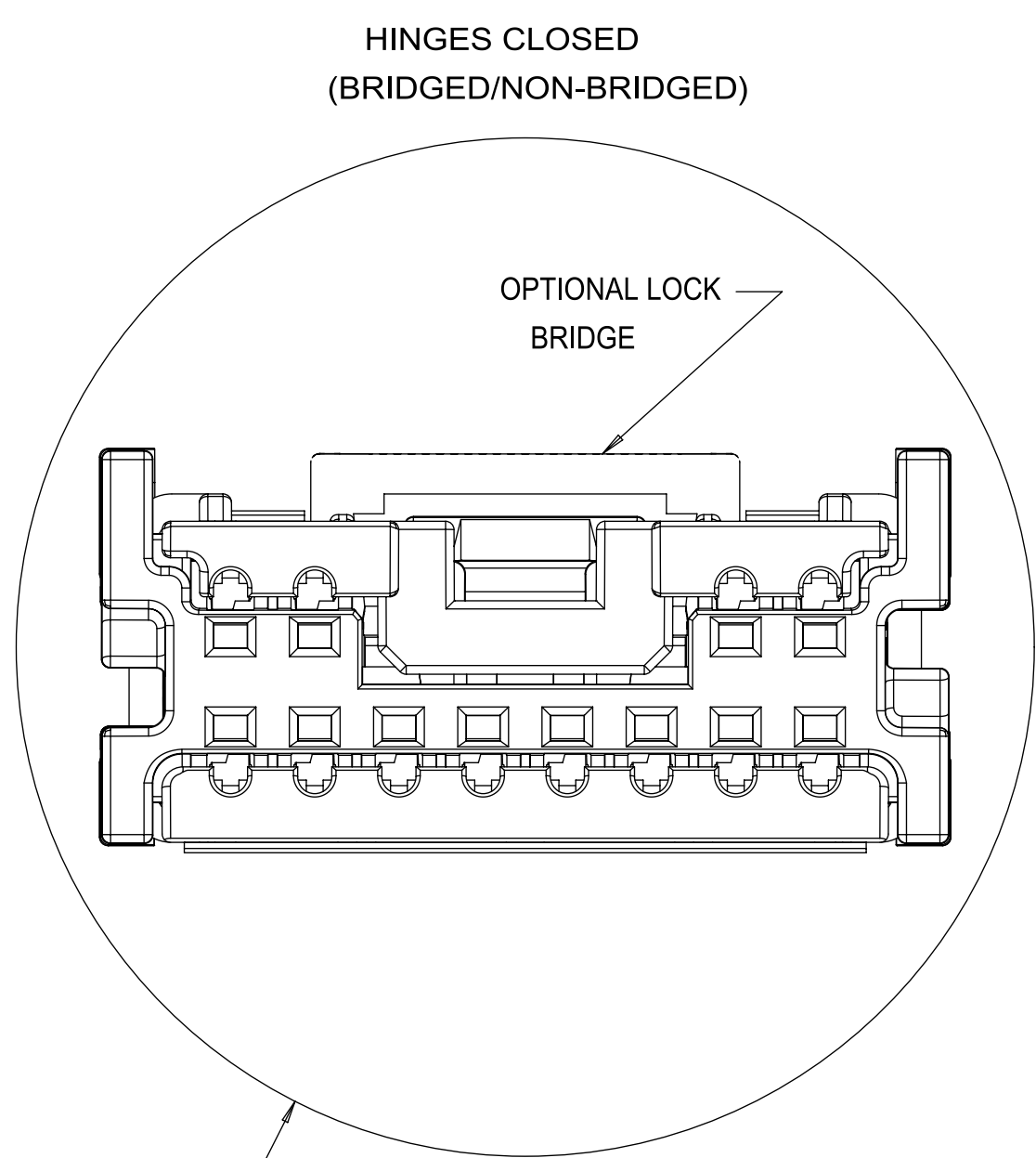
20 CIRCUIT RECEPTACLE



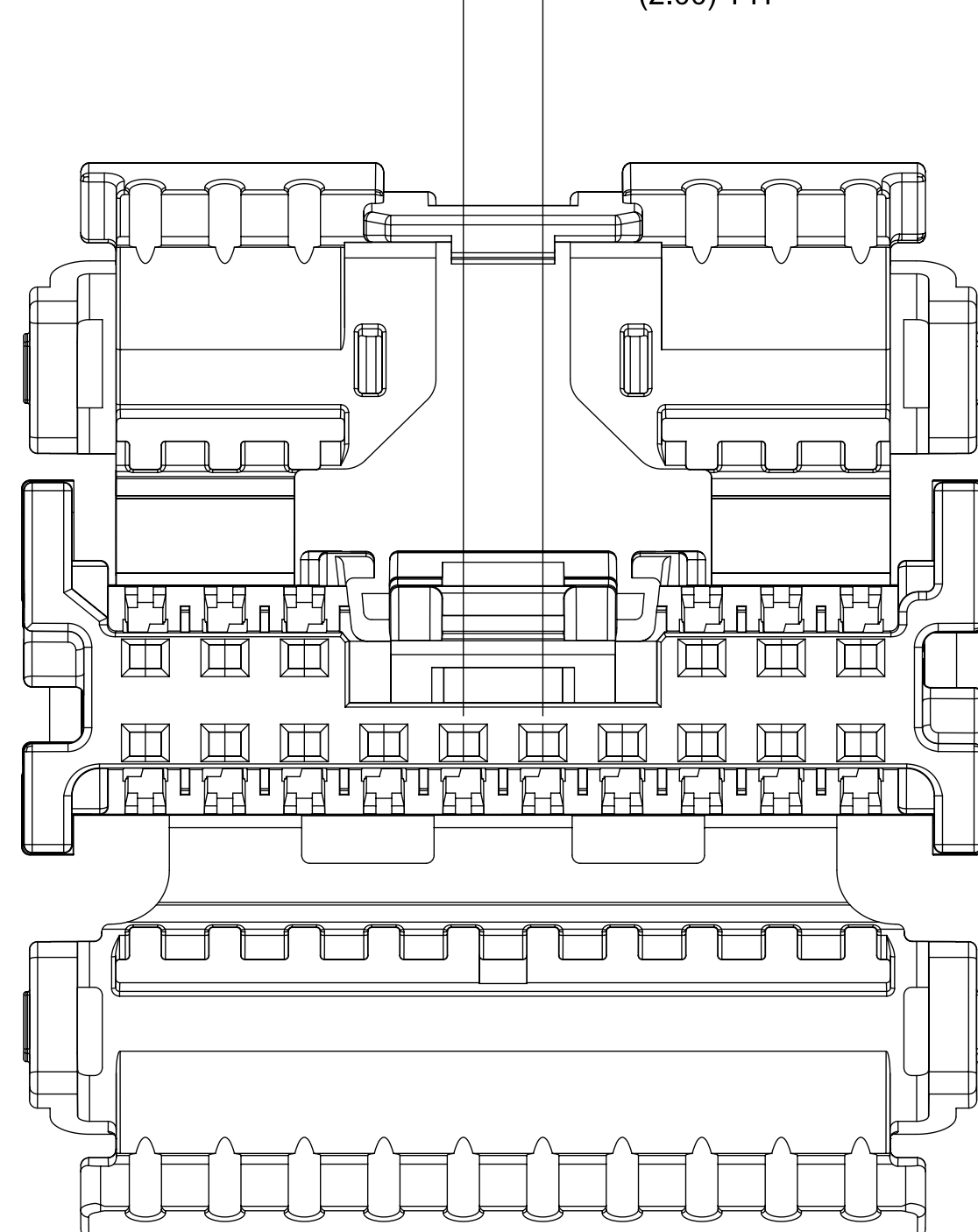
24 CIRCUIT RECEPTACLE



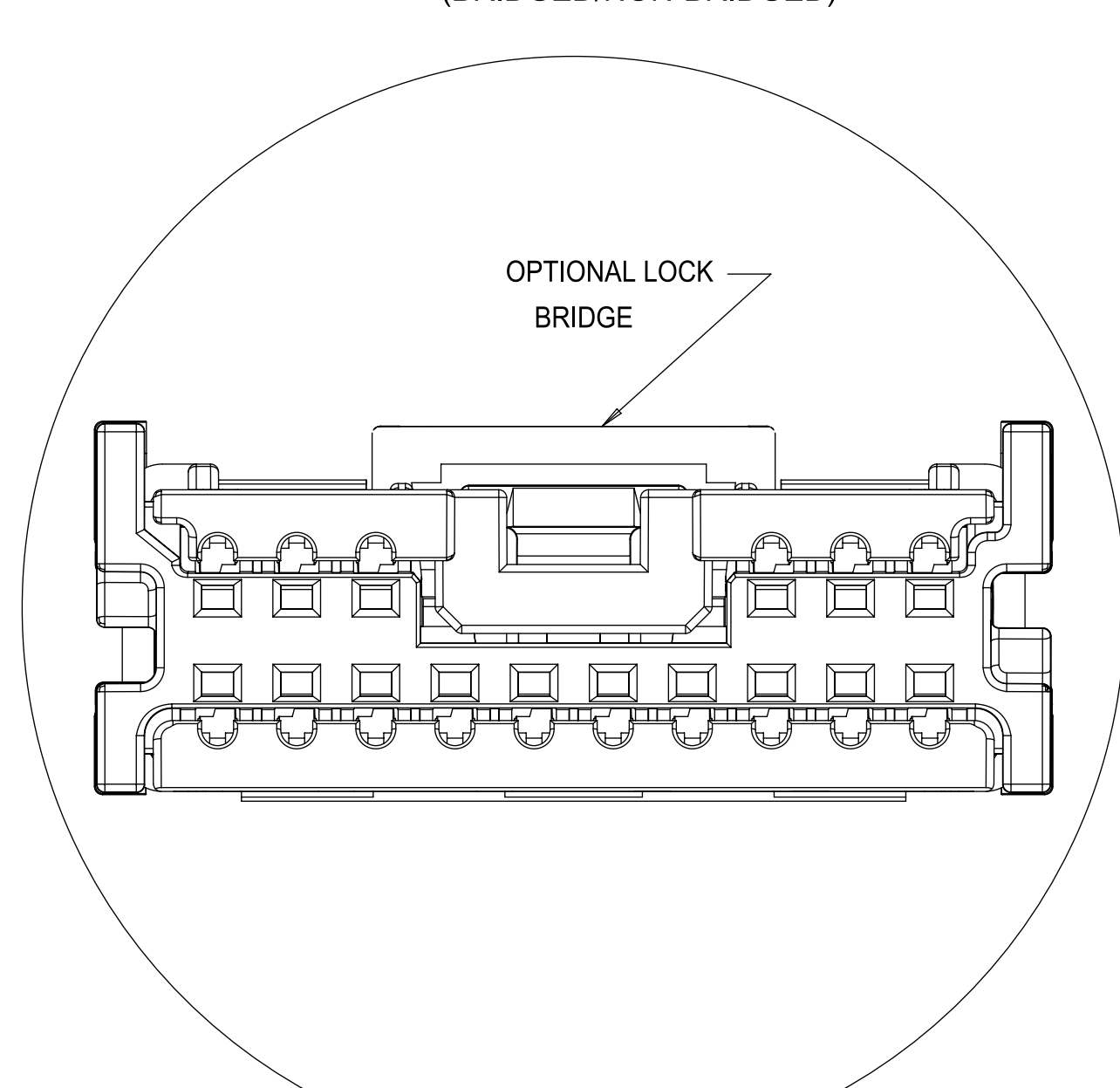
HINGES CLOSED (BRIDGED/NON-BRIDGED)



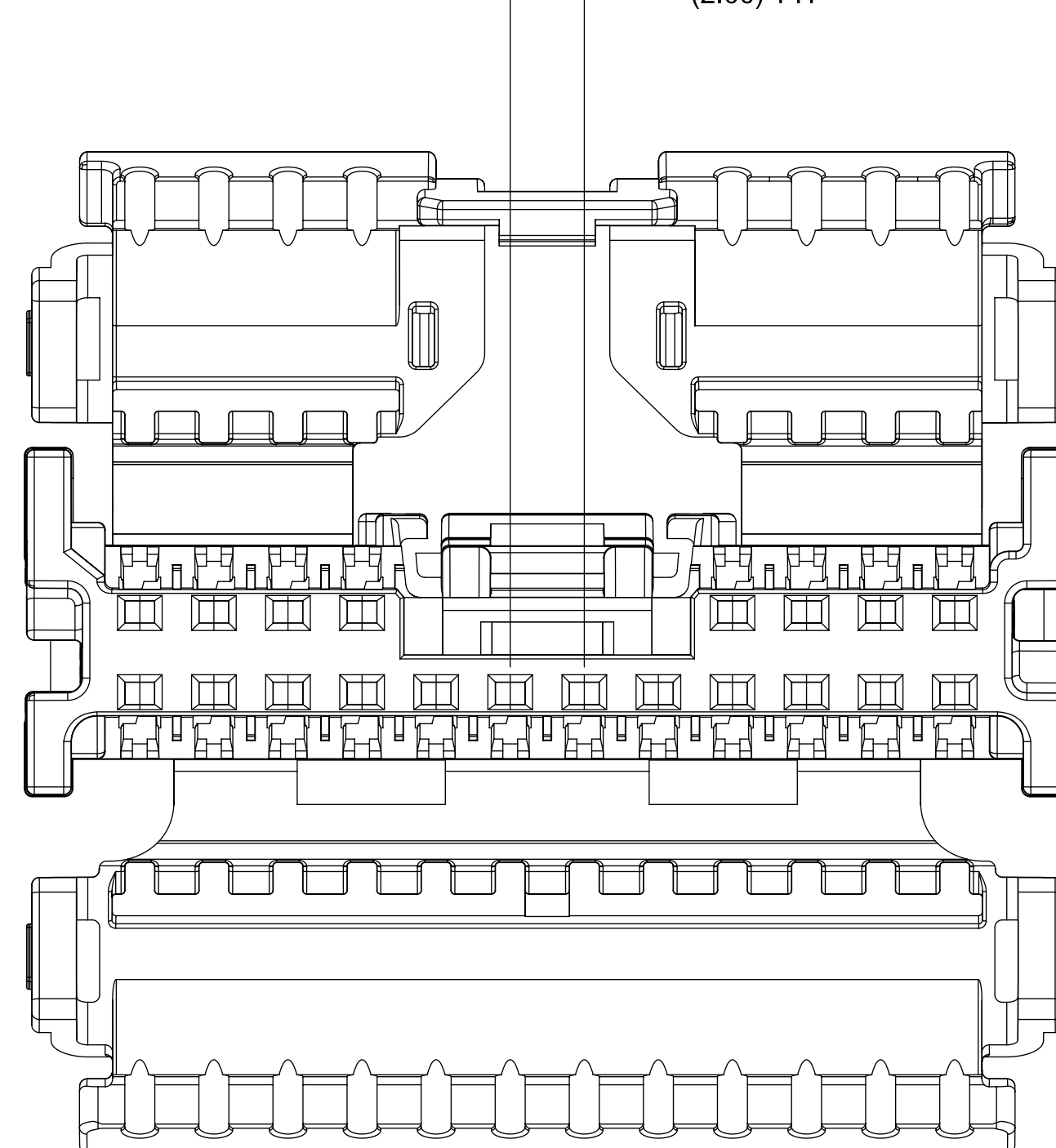
PASS THRU DIAMETER $\varnothing 24.18$
 1 mm ADDITIONAL CLEARANCE ADDED TO TIGHTEST FIT CIRCLE



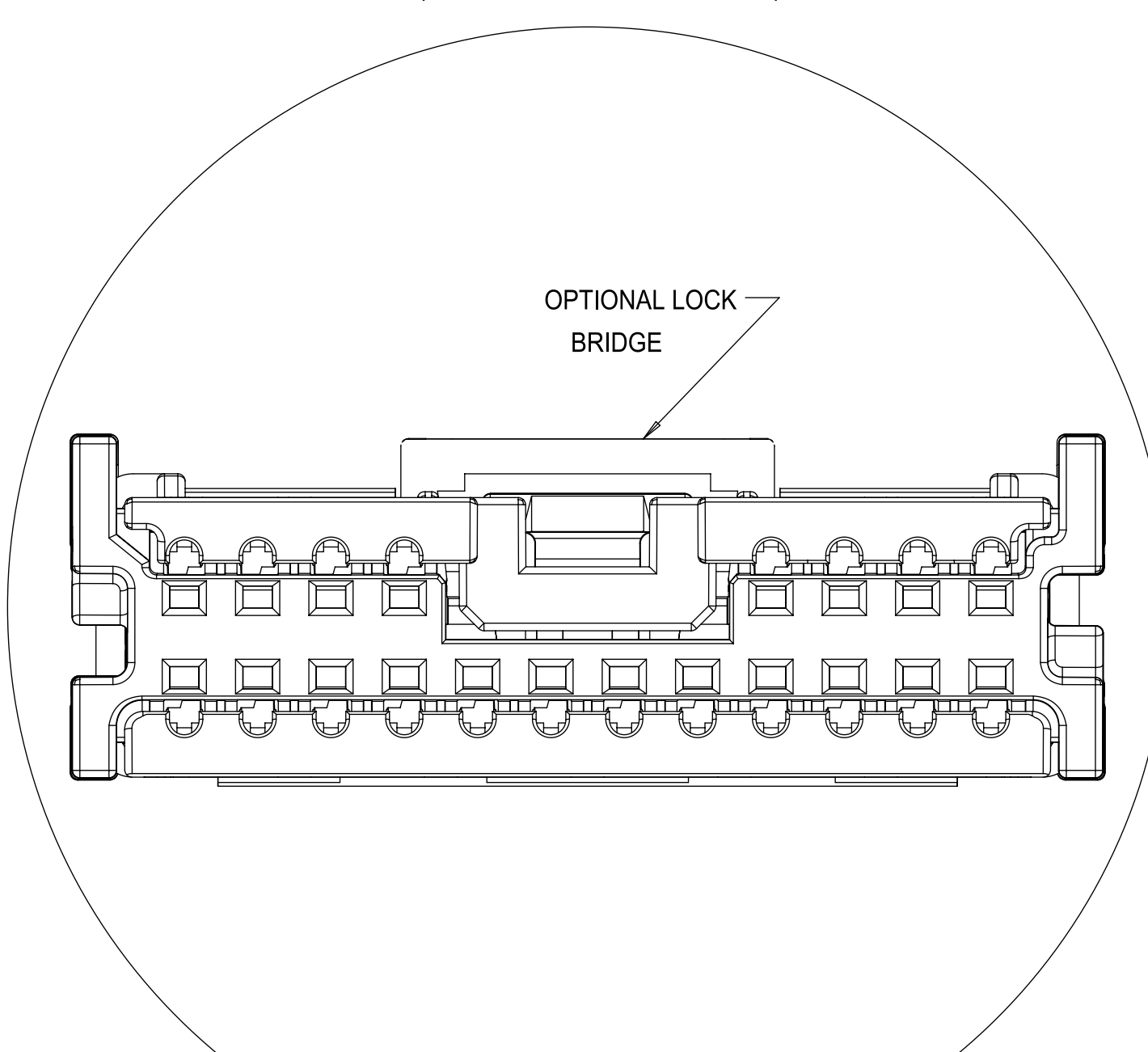
HINGES CLOSED (BRIDGED/NON-BRIDGED)



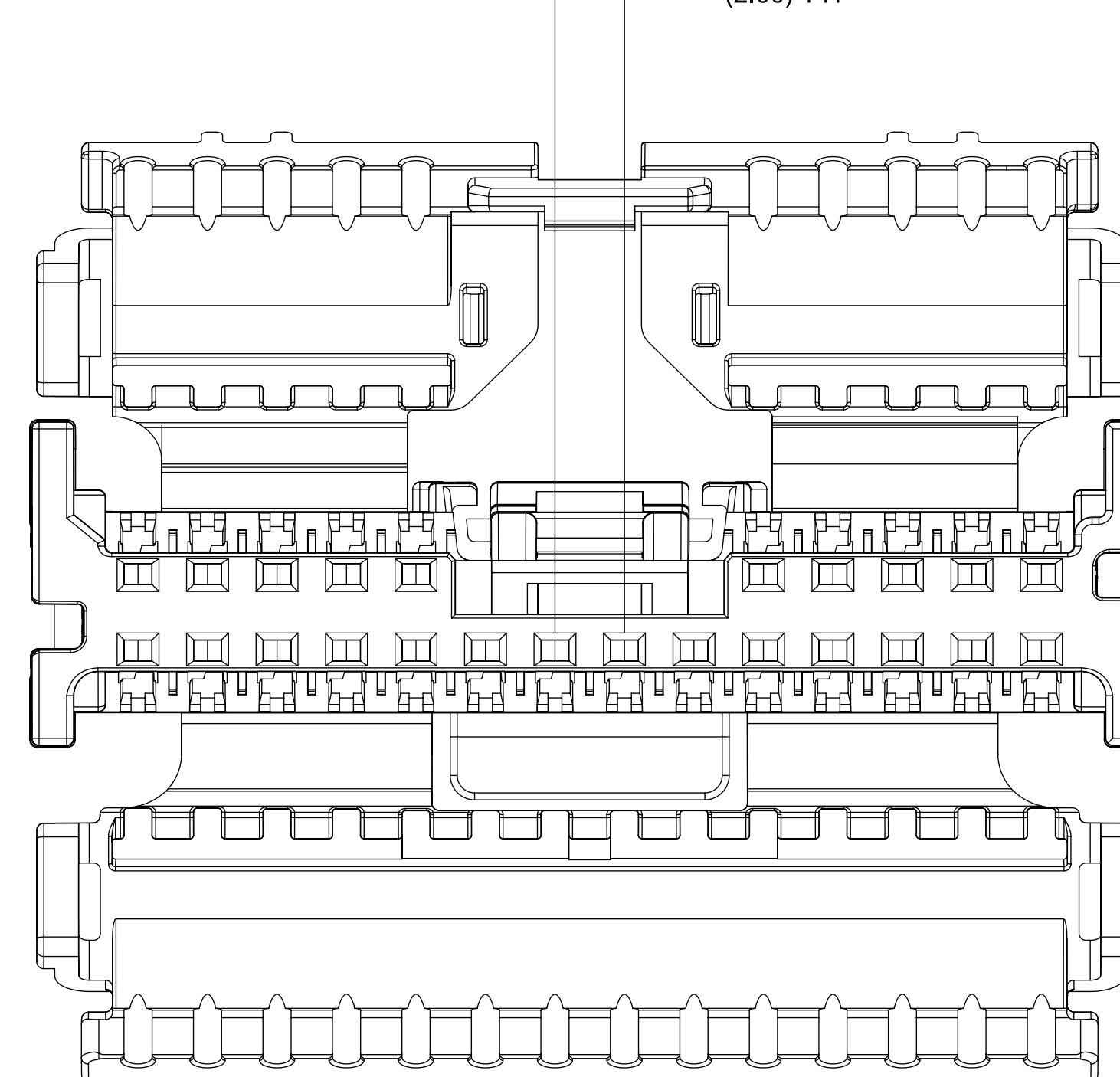
PASS THRU DIAMETER $\varnothing 27.88$
 1 mm ADDITIONAL CLEARANCE ADDED TO TIGHTEST FIT CIRCLE



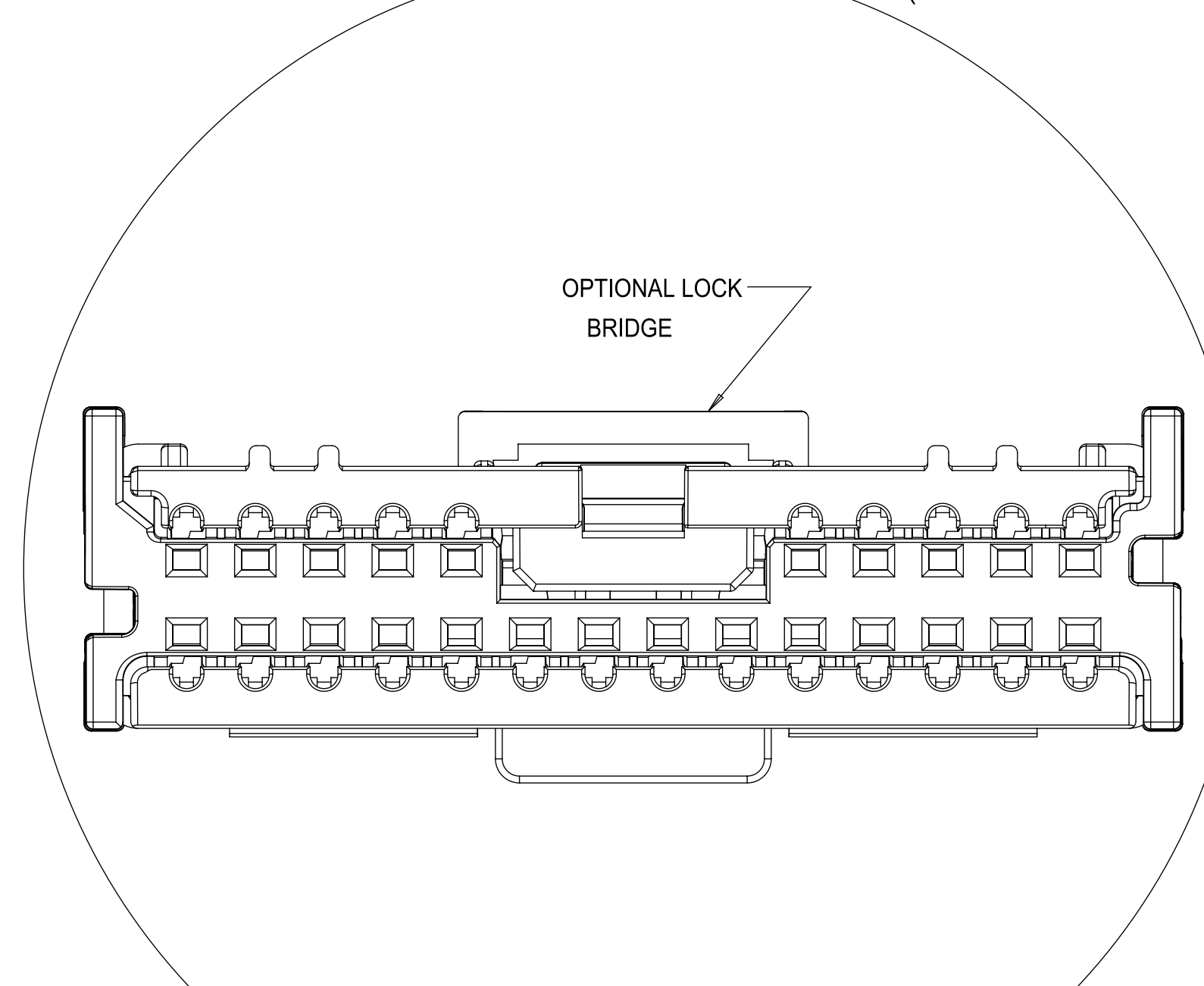
HINGES CLOSED (BRIDGED/NON-BRIDGED)



PASS THRU DIAMETER $\varnothing 31.64$
 1 mm ADDITIONAL CLEARANCE ADDED TO TIGHTEST FIT CIRCLE

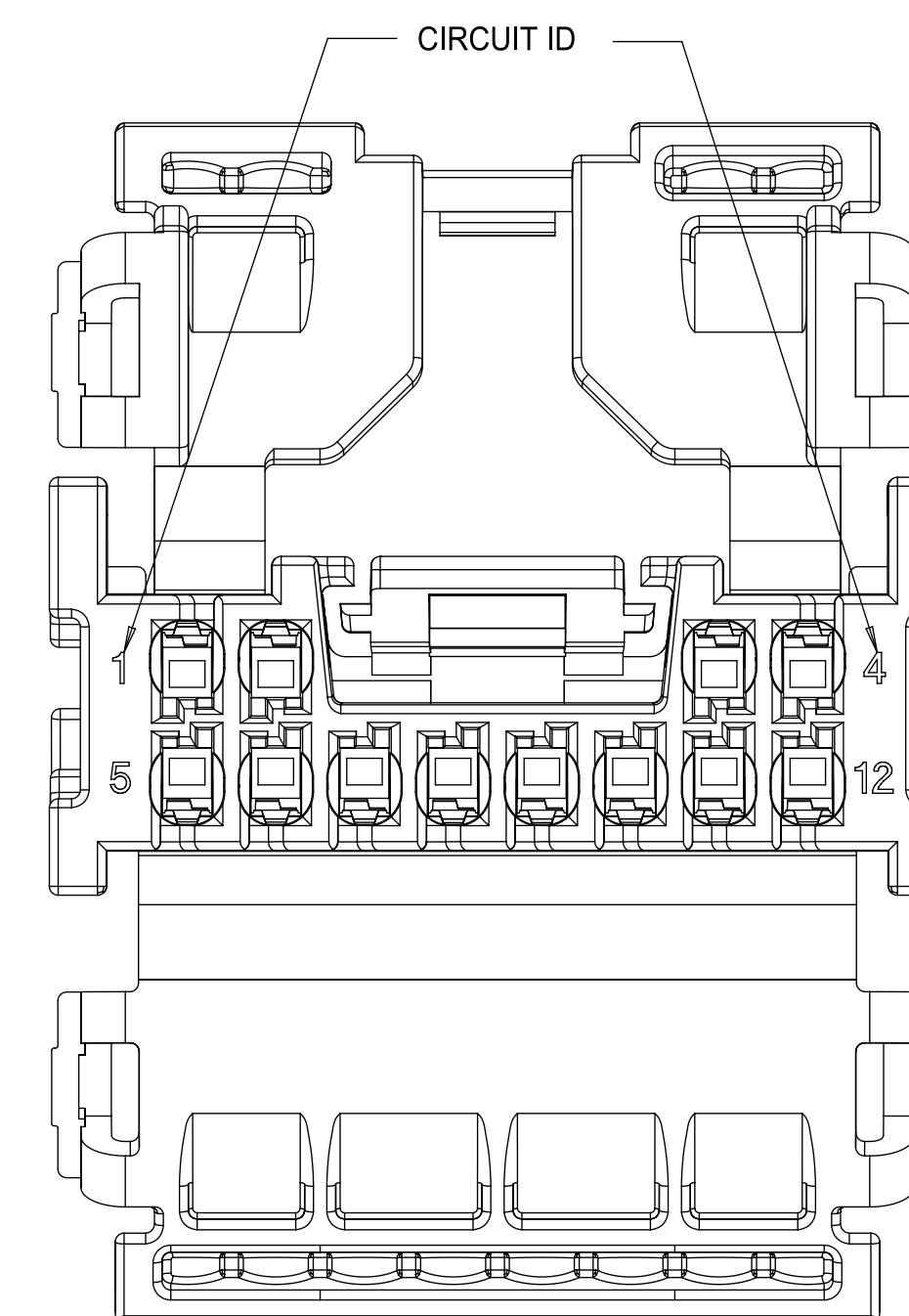


HINGES CLOSED (BRIDGED/NON-BRIDGED)

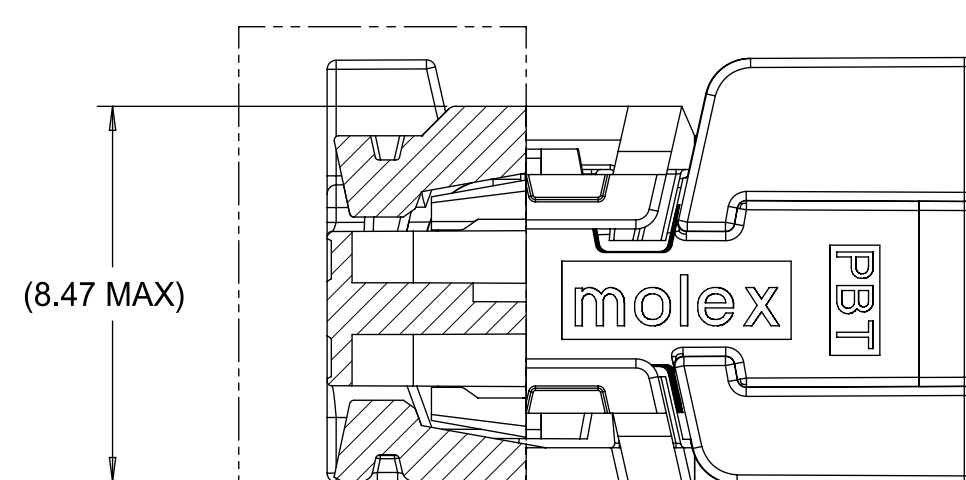
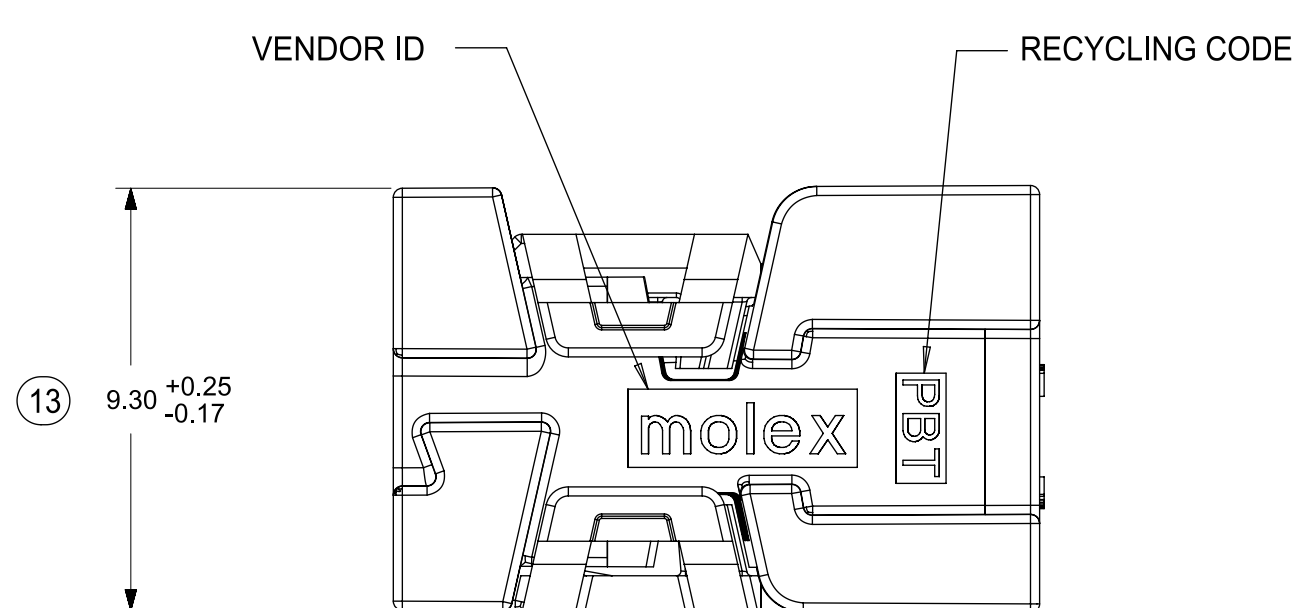


PASS THRU DIAMETER $\varnothing 35.48$
 1 mm ADDITIONAL CLEARANCE ADDED TO TIGHTEST FIT CIRCLE

12 CKT RECEPTACLE SHOWN BELOW 16, 20, AND 24 CKT RECEPTACLE HAS SIMILAR CIRCUIT ID LOCATION



HINGES CLOSED



CUTAWAY SHOWING MAXIMUM POINTS ASSEMBLE HINGES

THIS DRAWING CONTAINS INFORMATION THAT IS PROPRIETARY TO MOLEX ELECTRONIC TECHNOLOGIES, LLC AND SHOULD NOT BE USED WITHOUT WRITTEN PERMISSION									
QUALITY SYMBOLS	EC NO: 603994 DRWN: KHEWITT CHKD: JDUNAJ REV APPR: JDUNAJ	2018/08/02 2018/09/05 2018/09/05	GENERAL TOLERANCES (UNLESS SPECIFIED)		DIMENSION UNITS	SCALE			
			ANGULAR TOL \pm		MM ONLY	6:1			
∇ = 0	4 PLACES \pm		TCUCU	DATE	2011/03/10				
∇ = 0	3 PLACES \pm		TMACHUGA	DATE	2011/03/11				
∇ = 0	2 PLACES ± 0.1		SMARCEAU	DATE	2012/05/21				
∇ = 0	1 PLACE ± 0.2		DRAWING SIZE			THIRD ANGLE PROJECTION	PRODUCT CUSTOMER DRAWING		
∇ = 0	0 PLACES \pm		DRAFT WHERE APPLICABLE MUST REMAIN WITHIN DIMENSIONS			E	SERIES		
∇ = 0	L4		DRAWING SIZE			E	MATERIAL NUMBER		
∇ = 0	L4		DRAWING SIZE			E	CUSTOMER		
∇ = 0	L4		DRAWING SIZE			E	GENERAL MARKET		
∇ = 0	L4		DRAWING SIZE			E	DOCUMENT NUMBER		
∇ = 0	L4		DRAWING SIZE			E	DOC TYPE		
∇ = 0	L4		DRAWING SIZE			E	DOC PART		
∇ = 0	L4		DRAWING SIZE			E	SHEET NUMBER		
∇ = 0	L4		DRAWING SIZE			E	3 OF 4		

MINI50 RECEPTACLE ASSEMBLIES

PBT RECEPTACLES

MATERIAL NUMBER BULK PACKAGING PK-31301-538	LOCK BRIDGE OPTION	CONFIGURATION	CIRCUIT	POL	COLOR	MATING COMPONENT					
						SURFACE MOUNT TECHNOLOGY (SMT) HEADER		VERTICAL THRU HOLE HEADER		RIGHT ANGLE THRU HOLE HEADER	
						TAPE AND REEL PACKAGING PK-31301-786	TUBE PACKAGING PK-31301-688	TRAY PACKAGING PK-31301-440	TUBE PACKAGING PK-31301-688	TRAY PACKAGING PK-31301-440	TUBE PACKAGING PK-31301-688
34824-0124	NO	USCAR COMPATIBLE	12	A	BLACK	34897-8120	34897-9120	34825-0124	34825-9124	34826-0124	34826-9124
34824-0125	NO	USCAR COMPATIBLE	12	B	GRAY	34897-8121	34897-9121	34825-0125	34825-9125	34826-0125	34826-9125
34824-0126	NO	USCAR COMPATIBLE	12	C	DARK GRAY	34897-8122	34897-9122	34825-0126	34825-9126	34826-0126	34826-9126
34824-1124	YES	USCAR COMPATIBLE	12	A	BLACK	34897-8120	34897-9120	34825-0124	34825-9124	34826-0124	34826-9124
34824-1125	YES	USCAR COMPATIBLE	12	B	GRAY	34897-8121	34897-9121	34825-0125	34825-9125	34826-0125	34826-9125
34824-1126	YES	USCAR COMPATIBLE	12	C	DARK GRAY	34897-8122	34897-9122	34825-0126	34825-9126	34826-0126	34826-9126
34824-0160	NO	USCAR COMPATIBLE	16	A	BLACK	34897-8160	34897-9160	34825-0160	34825-9160	34826-0160	34826-9160
34824-0161	NO	USCAR COMPATIBLE	16	B	GRAY	34897-8161	34897-9161	34825-0161	34825-9161	34826-0161	34826-9161
34824-0162	NO	USCAR COMPATIBLE	16	C	DARK GRAY	34897-8162	34897-9162	34825-0162	34825-9162	34826-0162	34826-9162
34824-1160	YES	USCAR COMPATIBLE	16	A	BLACK	34897-8160	34897-9160	34825-0160	34825-9160	34826-0160	34826-9160
34824-1161	YES	USCAR COMPATIBLE	16	B	GRAY	34897-8161	34897-9161	34825-0161	34825-9161	34826-0161	34826-9161
34824-1162	YES	USCAR COMPATIBLE	16	C	DARK GRAY	34897-8162	34897-9162	34825-0162	34825-9162	34826-0162	34826-9162
34824-0200	NO	USCAR COMPATIBLE	20	A	BLACK	34897-8200	34897-9200	34825-0200	34825-9200	34826-0200	34826-9200
34824-0201	NO	USCAR COMPATIBLE	20	B	GRAY	34897-8201	34897-9201	34825-0201	34825-9201	34826-0201	34826-9201
34824-0202	NO	USCAR COMPATIBLE	20	C	DARK GRAY	34897-8202	34897-9202	34825-0202	34825-9202	34826-0202	34826-9202
34824-1200	YES	USCAR COMPATIBLE	20	A	BLACK	34897-8200	34897-9200	34825-0200	34825-9200	34826-0200	34826-9200
34824-1201	YES	USCAR COMPATIBLE	20	B	GRAY	34897-8201	34897-9201	34825-0201	34825-9201	34826-0201	34826-9201
34824-1202	YES	USCAR COMPATIBLE	20	C	DARK GRAY	34897-8202	34897-9202	34825-0202	34825-9202	34826-0202	34826-9202
34824-0240	NO	USCAR COMPATIBLE	24	A	BLACK	34897-8240	34897-9240	34825-0240	34825-9240	34826-0240	34826-9240
34824-0241	NO	USCAR COMPATIBLE	24	B	GRAY	34897-8241	34897-9241	34825-0241	34825-9241	34826-0241	34826-9241
34824-0242	NO	USCAR COMPATIBLE	24	C	DARK GRAY	34897-8242	34897-9242	34825-0242	34825-9242	34826-0242	34826-9242
34824-1240	YES	USCAR COMPATIBLE	24	A	BLACK	34897-8240	34897-9240	34825-0240	34825-9240	34826-0240	34826-9240
34824-1241	YES	USCAR COMPATIBLE	24	B	GRAY	34897-8241	34897-9241	34825-0241	34825-9241	34826-0241	34826-9241
34824-1242	YES	USCAR COMPATIBLE	24	C	DARK GRAY	34897-8242	34897-9242	34825-0242	34825-9242	34826-0242	34826-9242

ECOPAXX RECEPTACLES

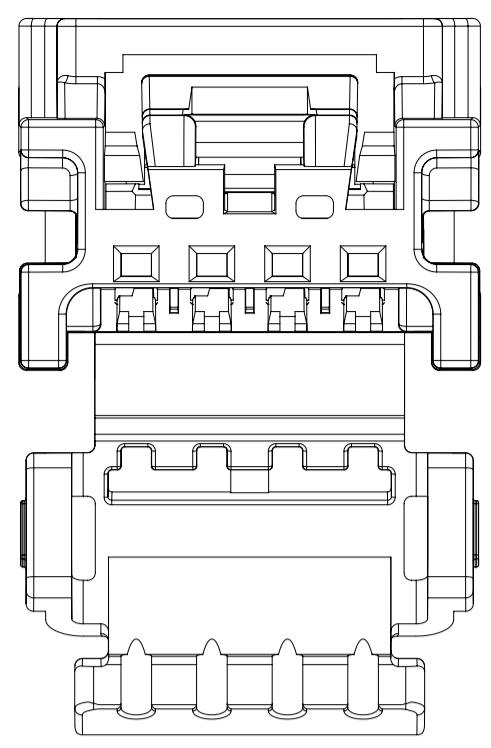
MATERIAL NUMBER BULK PACKAGING PK-31301-538	LOCK BRIDGE OPTION	CONFIGURATION	CIRCUIT	POL	COLOR	MATING COMPONENT					
						SURFACE MOUNT TECHNOLOGY (SMT) HEADER		VERTICAL THRU HOLE HEADER		RIGHT ANGLE THRU HOLE HEADER	
						TAPE AND REEL PACKAGING PK-31301-786	TUBE PACKAGING PK-31301-688	TRAY PACKAGING PK-31301-440	TUBE PACKAGING PK-31301-688	TRAY PACKAGING PK-31301-440	TUBE PACKAGING PK-31301-688
34824-0164	NO	USCAR COMPATIBLE	16	A	BLACK	34897-8160	34897-9160	34825-0160	34825-9160	34826-0160	34826-9160
34824-0165	NO	USCAR COMPATIBLE	16	B	GRAY	34897-8161	34897-9161	34825-0161	34825-9161	34826-0161	34826-9161
34824-0166	NO	USCAR COMPATIBLE	16	C	DARK GRAY	34897-8162	34897-9162	34825-0162	34825-9162	34826-0162	34826-9162
34824-1164	YES	USCAR COMPATIBLE	16	A	BLACK	34897-8160	34897-9160	34825-0160	34825-9160	34826-0160	34826-9160
34824-1165	YES	USCAR COMPATIBLE	16	B	GRAY	34897-8161	34897-9161	34825-0161	34825-9161	34826-0161	34826-9161
34824-1166	YES	USCAR COMPATIBLE	16	C	DARK GRAY	34897-8162	34897-9162	34825-0162	34825-9162	34826-0162	34826-9162
34824-0204	NO	USCAR COMPATIBLE	20	A	BLACK	34897-8200	34897-9200	34825-0200	34825-9200	34826-0200	34826-9200
34824-0205	NO	USCAR COMPATIBLE	20	B	GRAY	34897-8201	34897-9201	34825-0201	34825-9201	34826-0201	34826-9201
34824-0206	NO	USCAR COMPATIBLE	20	C	DARK GRAY	34897-8202	34897-9202	34825-0202	34825-9202	34826-0202	34826-9202
34824-1204	YES	USCAR COMPATIBLE	20	A	BLACK	34897-8200	34897-9200	34825-0200	34825-9200	34826-0200	34826-9200
34824-1205	YES	USCAR COMPATIBLE	20	B	GRAY	34897-8201	34897-9201	34825-0201	34825-9201	34826-0201	34826-9201
34824-1206	YES	USCAR COMPATIBLE	20	C	DARK GRAY	34897-8202	34897-9202	34825-0202	34825-9202	34826-0202	34826-9202
34824-0244	NO	USCAR COMPATIBLE	24	A	BLACK	34897-8240	34897-9240	34825-0240	34825-9240	34826-0240	34826-9240
34824-0245	NO	USCAR COMPATIBLE	24	B	GRAY	34897-8241	34897-9241	34825-0241	34825-9241	34826-0241	34826-9241
34824-0246	NO	USCAR COMPATIBLE	24	C	DARK GRAY	34897-8242	34897-9242	34825-0242	34825-9242	34826-0242	34826-9242
34824-1244	YES	USCAR COMPATIBLE	24	A	BLACK	34897-8240	34897-9240	34825-0240	34825-9240	34826-0240	34826-9240
34824-1245	YES	USCAR COMPATIBLE	24	B	GRAY	34897-8241	34897-9241	34825-0241	34825-9241	34826-0241	34826-9241
34824-1246	YES	USCAR COMPATIBLE	24	C	DARK GRAY	34897-8242	34897-9242	34825-0242	34825-9242	34826-0242	34826-9242

CTX50 UNSEALED RECEPTACLE TERMINALS

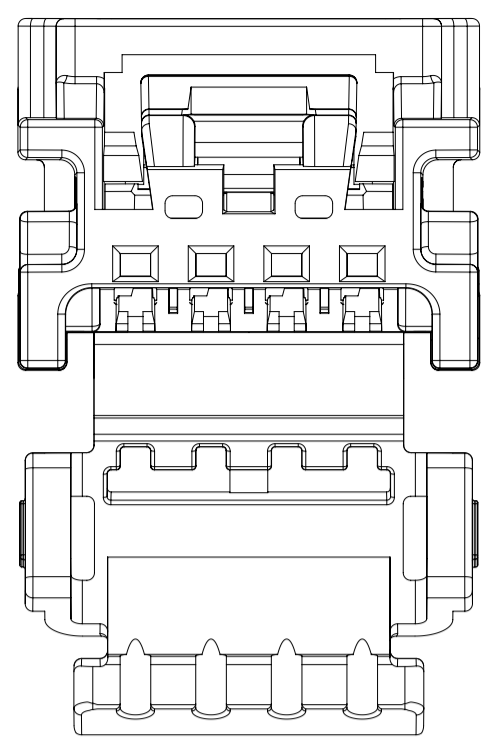
PART NUMBER		MATERIAL	WIRE GAGE (mm ²)	GRIP
D-WIND (LEFT PAYOFF)	B-WIND (RIGHT PAYOFF)			
560023-0448	560023-0450	COPPER ALLOY	0.35	LARGE
560023-0421	560023-0423	COPPER ALLOY	0.22	MEDIUM
560023-0422	560023-0424	COPPER ALLOY	0.13	SMALL

THIS DRAWING CONTAINS INFORMATION THAT IS PROPRIETARY TO MOLEX ELECTRONIC TECHNOLOGIES, LLC AND SHOULD NOT BE USED WITHOUT WRITTEN PERMISSION

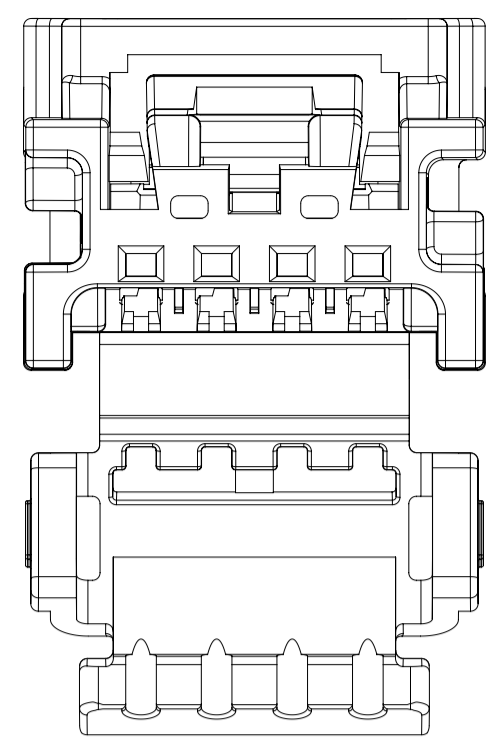
QUALITY SYMBOLS	<p>2018/08/02 2018/09/05 2018/09/05</p> <p>DRWN: KHEWITT CHKD: JDUJAJ REV APPR: JDUJAJ</p> <p>EC NO: 603994 L4</p>	<p>GENERAL TOLERANCES (UNLESS SPECIFIED)</p> <p>ANGULAR TOL ± °</p> <p>4 PLACES ±</p> <p>3 PLACES ±</p> <p>2 PLACES ± 0.1</p> <p>1 PLACE ± 0.2</p> <p>0 PLACES ±</p> <p>DRAFT WHERE APPLICABLE MUST REMAIN WITHIN DIMENSIONS</p>	<p>DIMENSION UNITS SCALE</p> <p>MM ONLY 1:1</p> <p>DRWN BY DATE</p> <p>TCUCU 2011/03/10</p> <p>CHK'D BY DATE</p> <p>TMACHUGA 2011/03/11</p> <p>APPR BY DATE</p> <p>SMARCEAU 2012/05/21</p> <p>DRAWING SIZE THIRD ANGLE PROJECTION</p> <p>E</p>	<p>MINI50 DUAL ROW RECEPTACLE SALES DRAWING</p> <p>PRODUCT CUSTOMER DRAWING</p> <p>SERIES MATERIAL NUMBER CUSTOMER</p> <p>34824 SEE TABLE GENERAL MARKET</p> <p>DOCUMENT NUMBER DOC TYPE DOC PART SHEET NUMBER</p> <p>SD-34824-002 PSD 001 4 OF 4</p>
-----------------	--	--	--	---



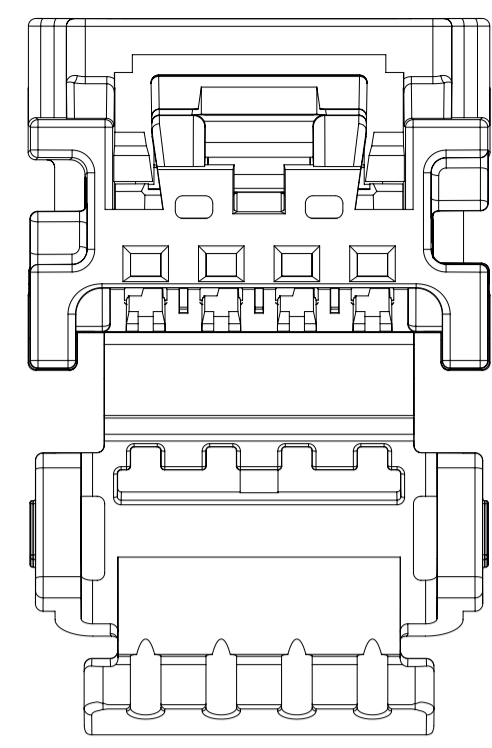
4 CT BRIDGED RECEPTACLE W/CPA
POLARIZATION OPTION A



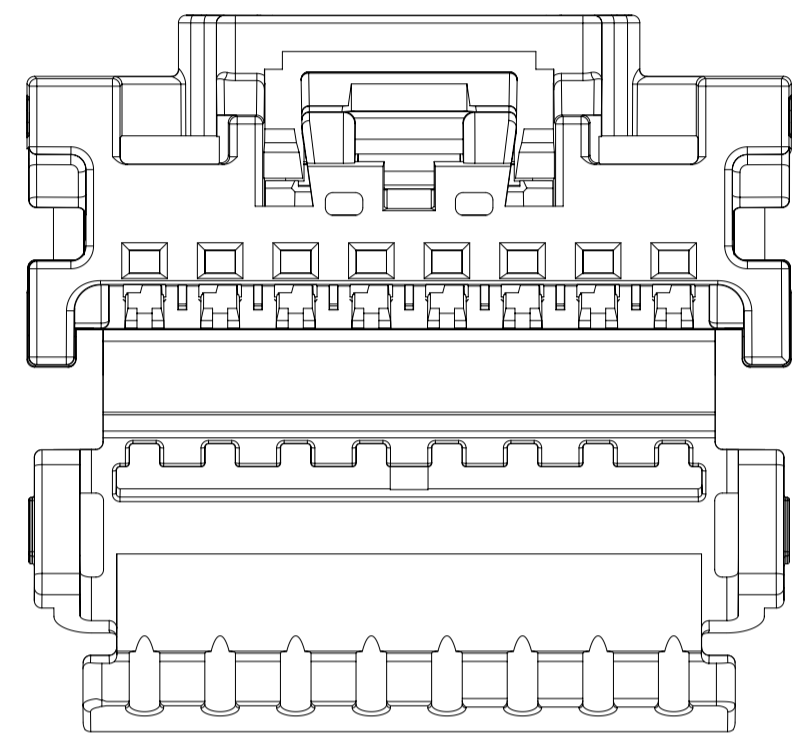
4 CT BRIDGED RECEPTACLE W/CPA
POLARIZATION OPTION B



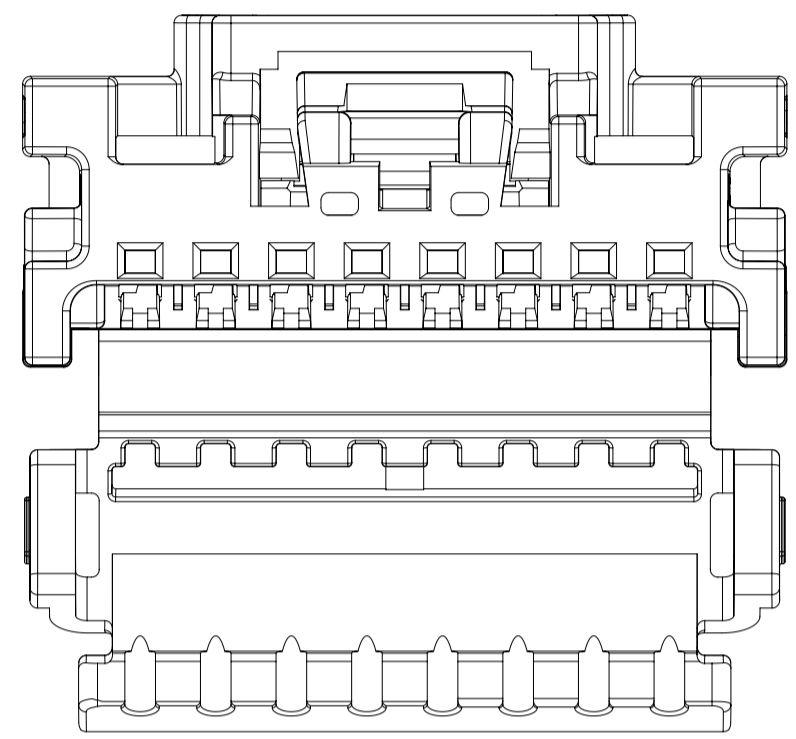
4 CT BRIDGED RECEPTACLE W/CPA
POLARIZATION OPTION C



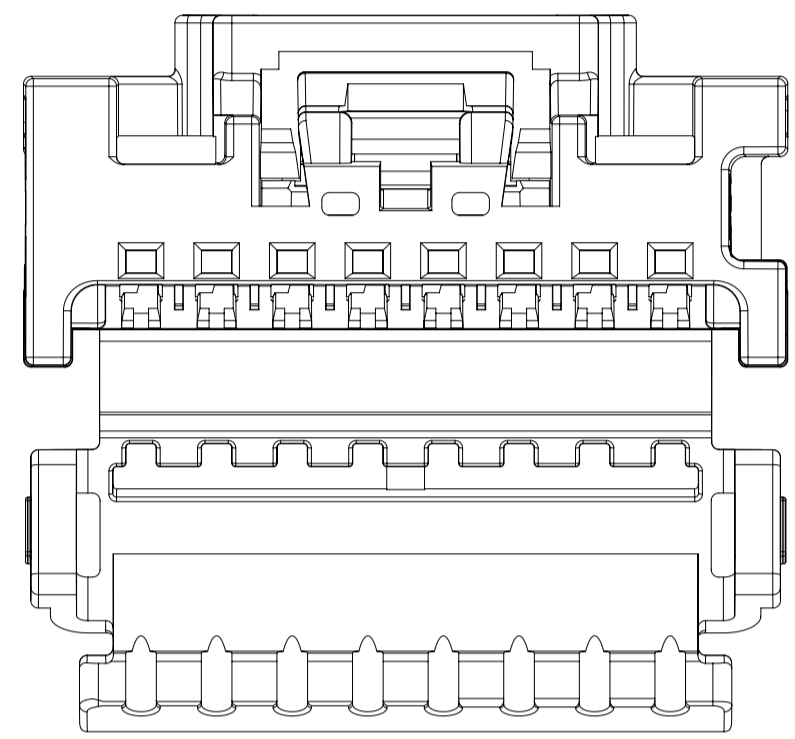
4 CT BRIDGED RECEPTACLE W/CPA
POLARIZATION OPTION D



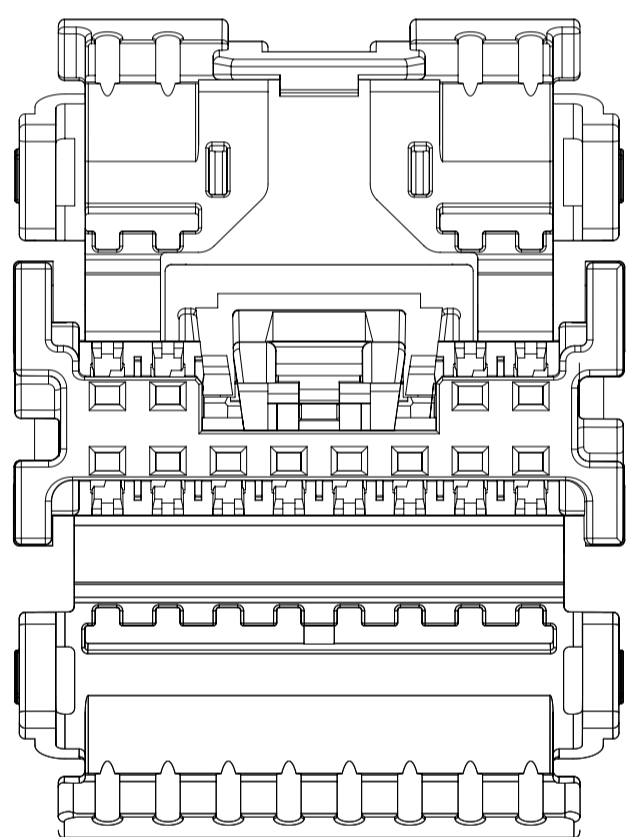
8 CT BRIDGED RECEPTACLE W/CPA
POLARIZATION OPTION A



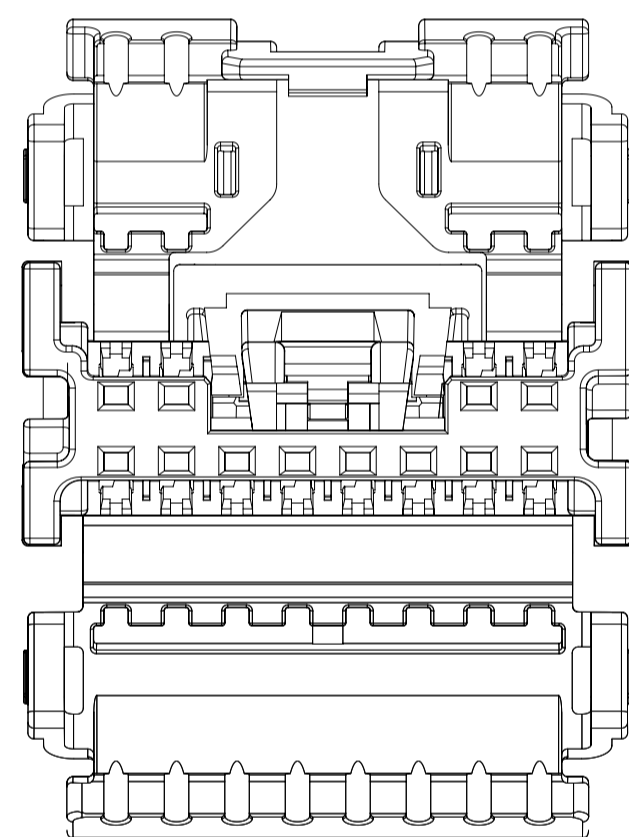
8 CT BRIDGED RECEPTACLE W/CPA
POLARIZATION OPTION B



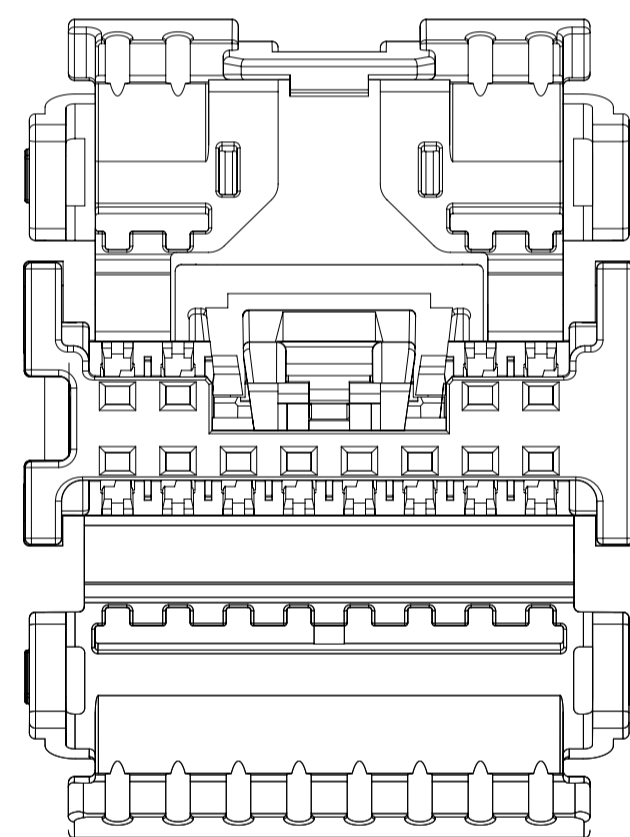
8 CT BRIDGED RECEPTACLE W/CPA
POLARIZATION OPTION C



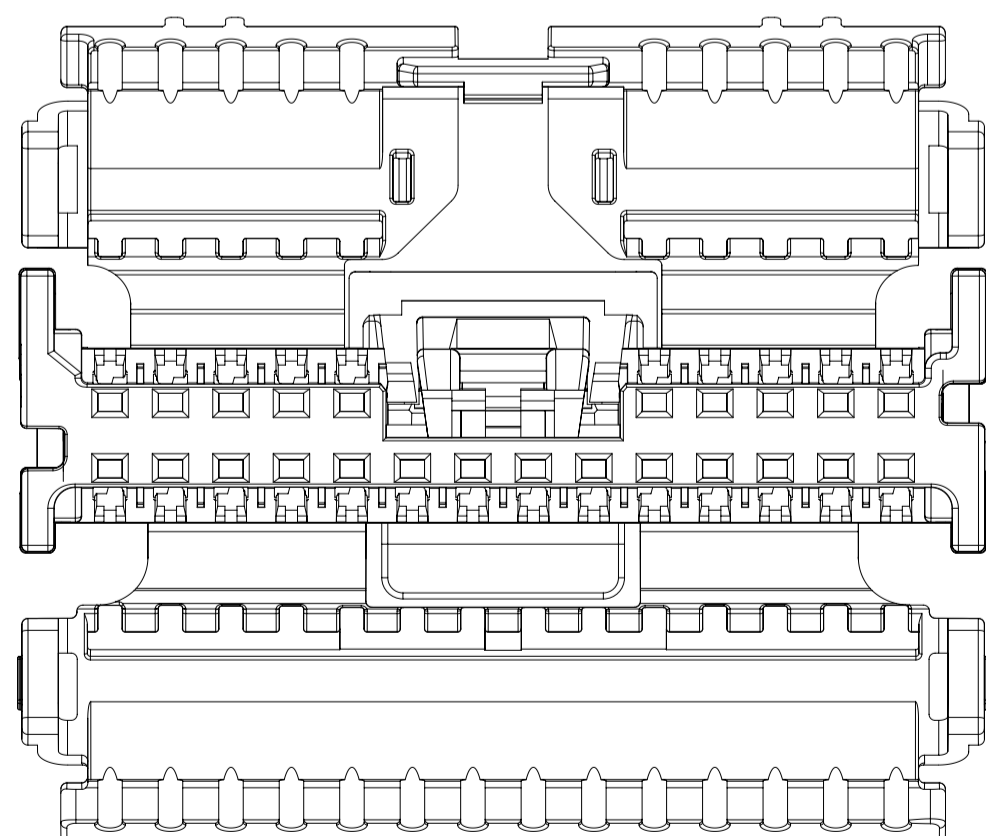
12 CT BRIDGED RECEPTACLE W/CPA
POLARIZATION OPTION A



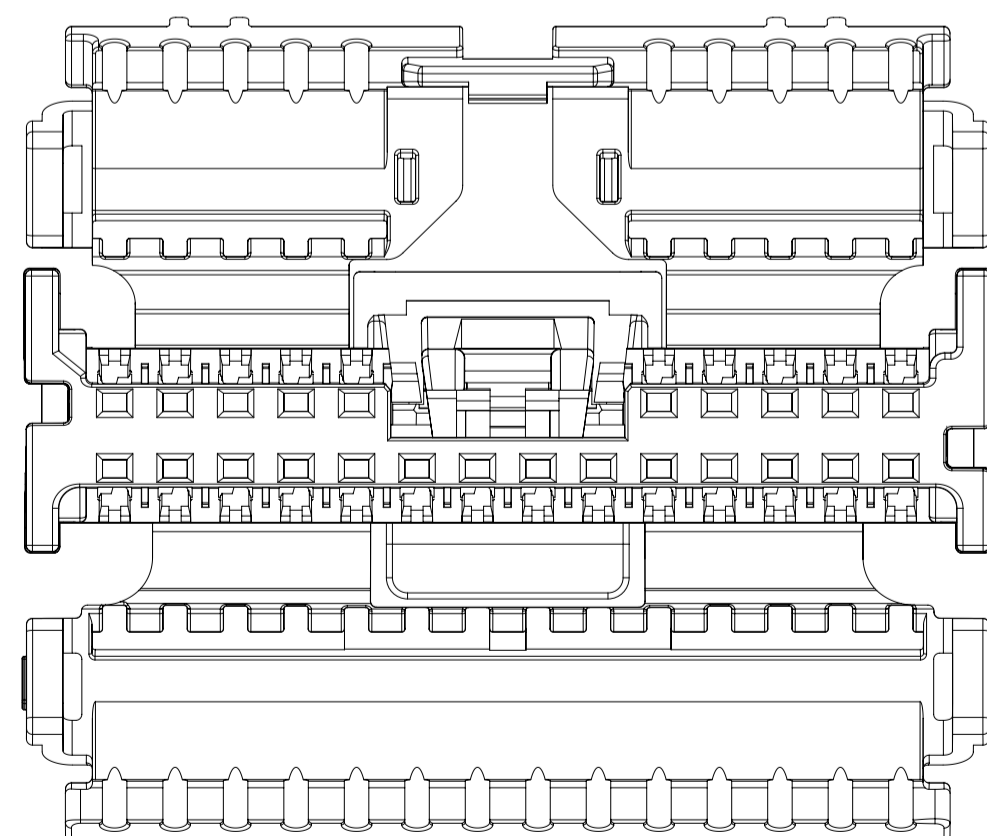
12 CT BRIDGED RECEPTACLE W/CPA
POLARIZATION OPTION B



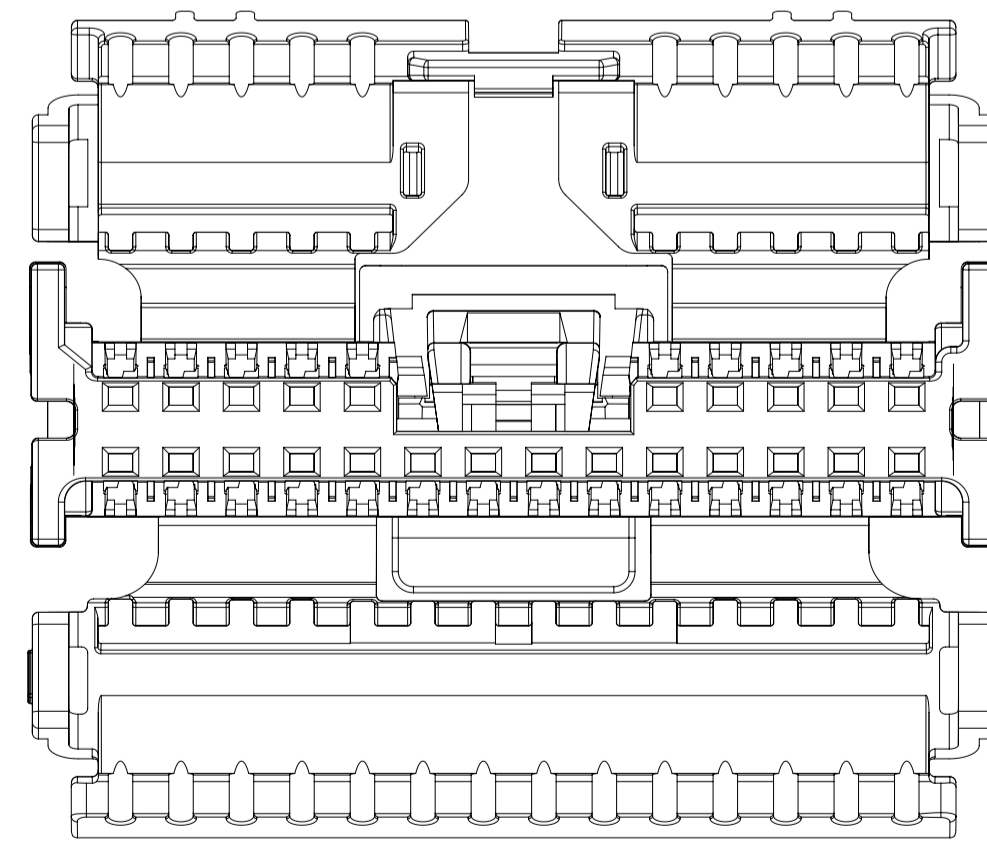
12 CT BRIDGED RECEPTACLE W/CPA
POLARIZATION OPTION C



24 CT BRIDGED RECEPTACLE W/CPA
POLARIZATION OPTION A



24 CT BRIDGED RECEPTACLE W/CPA
POLARIZATION OPTION B



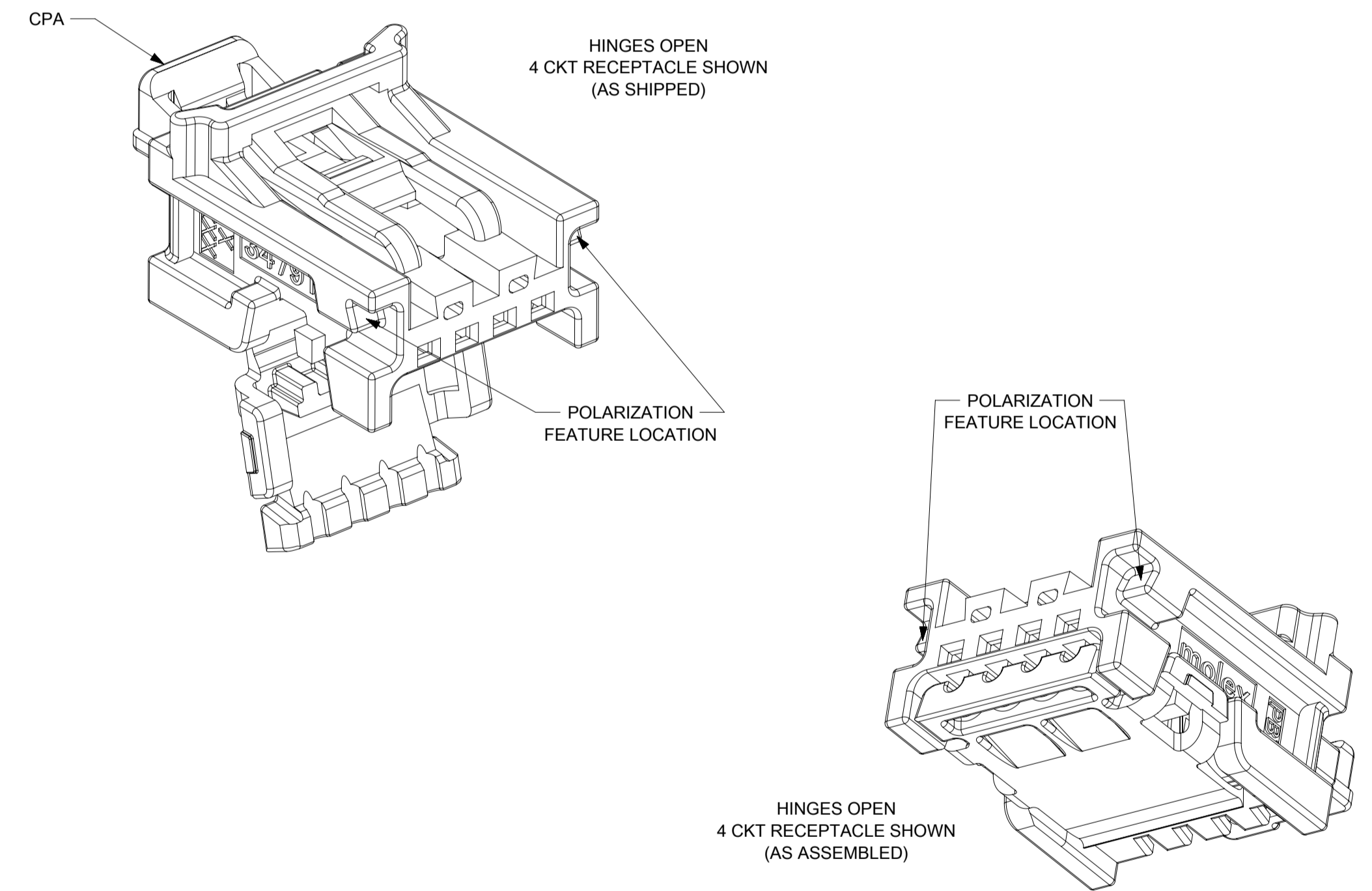
24 CT BRIDGED RECEPTACLE W/CPA
POLARIZATION OPTION C

24CKT POLARIZATIONS SHOWN ARE REPRESENTATIVE FOR 16 AND 20CKT

INSPECTION BALLOON NUMBER
PER DRAWING REVISION: M2
LAST BALLOON USED: 21
ADDED BALLOON NUMBERS:
REMOVED BALLOON NUMBERS: 22-33

NOTES: VALID UNLESS OTHERWISE SPECIFIED

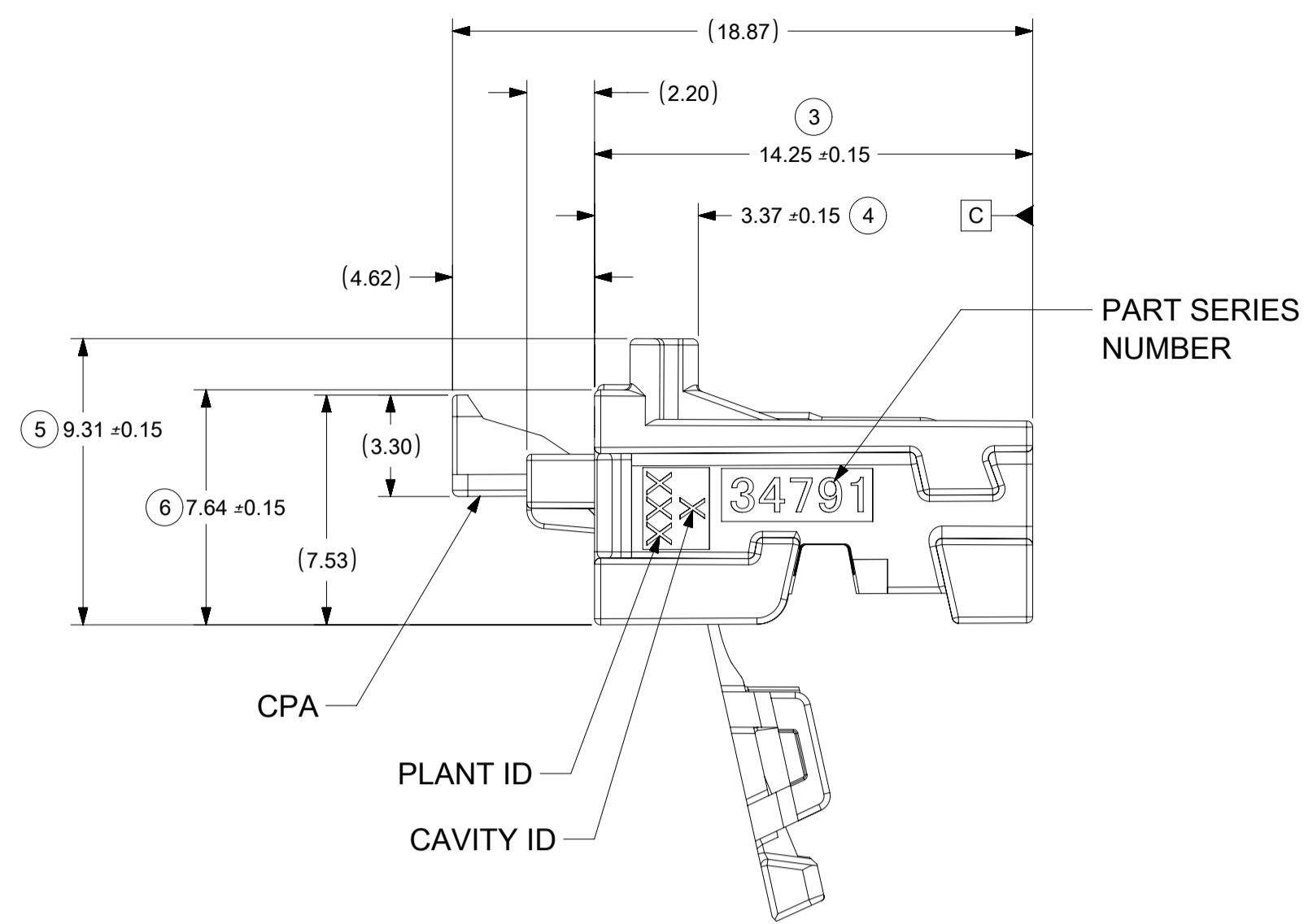
1. GENERAL:
 - a. APPLICATION SPECIFICATION SEE: AS-34791-020
 - b. PRODUCT SPECIFICATION SEE: PS-34791-020
 - c. PACKAGING SPECIFICATION PER MOLEX DRAWING: SEE CHART
 - d. PARTS MUST BE IN COMPLIANCE TO MOLEX CHEMICAL SUBSTANCES FOR PRODUCTS AND PACKAGING SPECIFICATION: QEHS-699000-301
 - e. DATA MUST BE SUBMITTED UNDER THE MOLEX PART NUMBER TO IMDS (COMPANY ID#13255)
 - f. FLAMMABILITY REQUIREMENT: PER ISO3795 OR GM3191
 1. BURN RATE 100 mm/MIN MAXIMUM
 2. MATERIAL MUST BE SELF EXTINGUISHING
 - g. VISUAL DEFECTS SHALL MEET COSMETIC STANDARD PS-45499-002 (Class B)
 - f. FOR TERMINAL USAGE, REFER TO MOLEX SALES DRAWING SD-560023-002
2. DESIGN - MATERIALS:
 - a. MATERIAL (4,8CKT): UNFILLED PBT
 - b. MATERIAL (12,16,20,24CKT): PA410 25% GF
3. DESIGN - GEOMETRY:
 - a. THIS IS A 100% CAD GENERATED PART. THE CAD MATHEMATICAL DATA IS THE MASTER FOR THIS PART. FOR DIMENSIONAL OR ANY INFORMATION NOT SHOWN ON THIS DRAWING, ANALYZE THE CAD MODEL.
 - b. GEOMETRIC DIMENSIONS AND TOLERANCES PER ASME Y14.5 - 2009
 - c. GENERAL TOLERANCES:
 - LINEAR: PER DIN 16901 CODE B FOR PRECISION ENGINEERING (SEE TABLE)
 - ANGULAR: $\pm 3^\circ$
 - d. EDGES AND UNDIMENSIONED DETAILS PER ISO13715
 - e. CORNERS SHOWN AS SHARP TO BE R 0.2 MAX
 - f. LETTERING SHALL BE 0.1 MAX RAISED IN 0.15 MAX RECESS PAD AND NOT PROTRUDE THE SURFACE. THIS INCLUDES RECYCLING CODE, PLANT ID, CAVITY ID, VENDOR ID, CIRCUIT ID, AND PART SERIES NUMBER.
 - g. DIMENSION APPLIES ONLY TO RECEPTACLES WITH LOCK BRIDGE OPTION.
4. DESIGN - FUNCTIONALITY:
 - a. HINGE DOES NOT AFFECT FUNCTION OF THE PART.



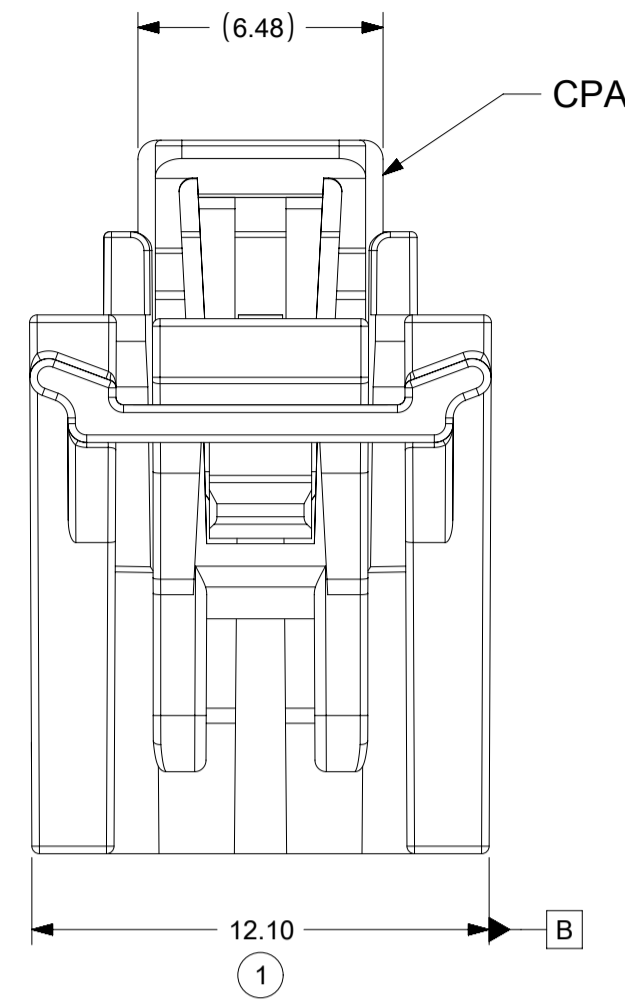
M6	ADDED DATUMS AND DATUM NOTE
M5	REMASTERING DRAWING
M2	UPDATED 24 CKT
REV	DESCRIPTION

QUALITY SYMBOLS	THIS DRAWING CONTAINS INFORMATION THAT IS PROPRIETARY TO MOLEX ELECTRONIC TECHNOLOGIES, LLC AND SHOULD NOT BE USED WITHOUT WRITTEN PERMISSION		GENERAL TOLERANCES (UNLESS SPECIFIED)		DIMENSION UNITS	SCALE	molex
	∇ = 0	∇ = 0	∇ = 0	∇ = 0	MM ONLY	5:1	
∇ = 0	∇ = 0	∇ = 0	∇ = 0	ANGULAR TOL $\pm 1.0^\circ$	DRWN BY	DATE	MINI 50 SINGLE/DUAL ROW CPA-RECEPTACLE ASSEMBLY SALES DRAWING
∇ = 0	∇ = 0	∇ = 0	∇ = 0	4 PLACES \pm	MYOUNG01	2013/01/31	
∇ = 0	∇ = 0	∇ = 0	∇ = 0	3 PLACES \pm	CHK'D BY	DATE	PRODUCT CUSTOMER DRAWING
∇ = 0	∇ = 0	∇ = 0	∇ = 0	2 PLACES ± 0.1	RBAUMAN	2013/11/13	
∇ = 0	∇ = 0	∇ = 0	∇ = 0	1 PLACE ± 0.2	APPR BY	DATE	SERIES MATERIAL NUMBER CUSTOMER
∇ = 0	∇ = 0	∇ = 0	∇ = 0	0 PLACES \pm	A1		
∇ = 0	∇ = 0	∇ = 0	∇ = 0	DRAFT WHERE APPLICABLE MUST REMAIN WITHIN DIMENSIONS	DRAWING SIZE	THIRD ANGLE PROJECTION	DOCUMENT NUMBER DOC TYPE DOC PART SHEET NUMBER
∇ = 0	∇ = 0	∇ = 0	∇ = 0		A1		
∇ = 0	∇ = 0	∇ = 0	∇ = 0				34824 SEE TABLE GENERAL MARKET
∇ = 0	∇ = 0	∇ = 0	∇ = 0				SD-34824-003 PSD 001 1 OF 4

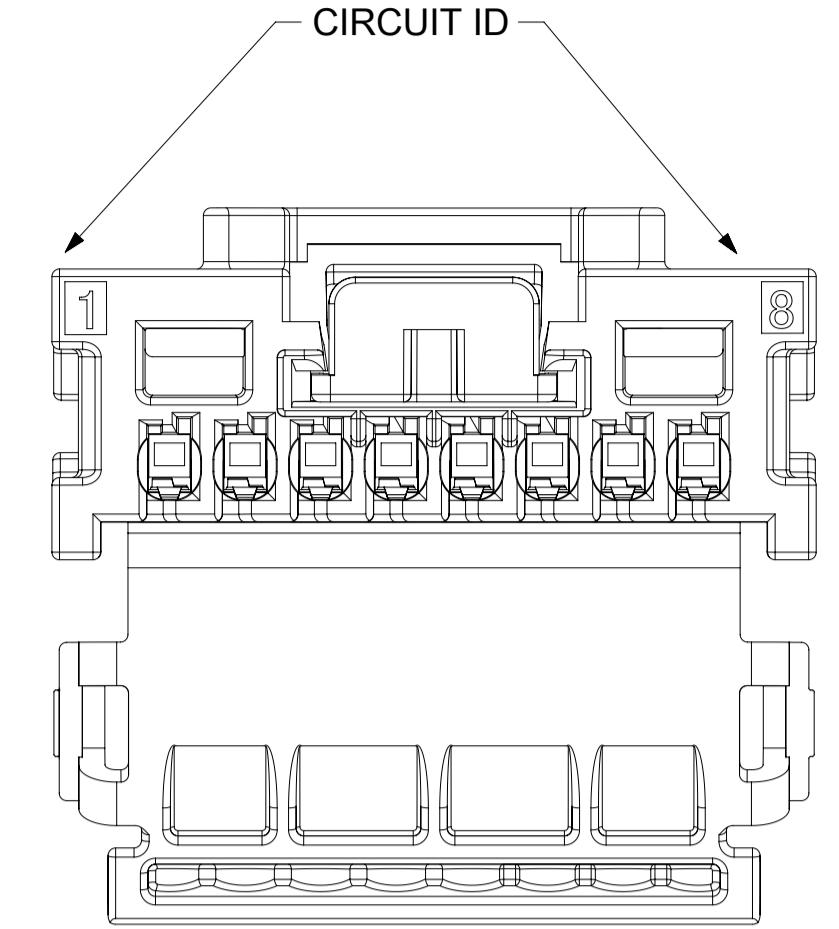
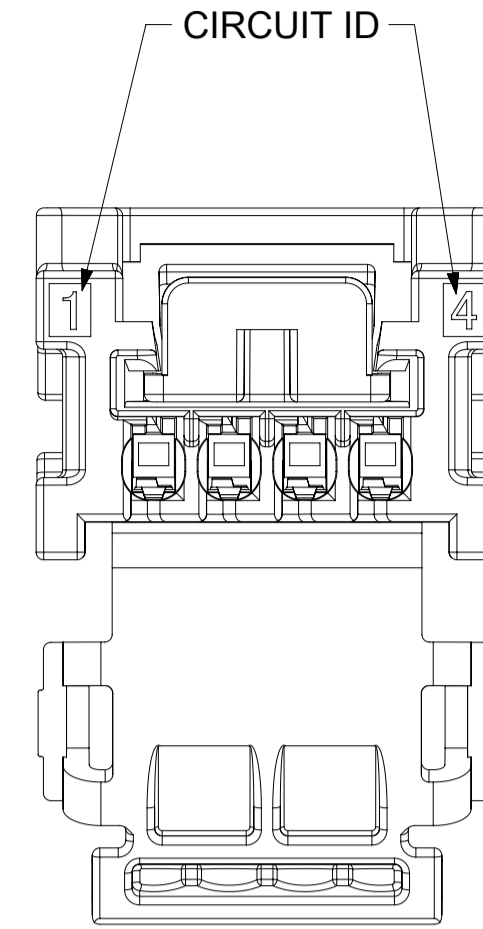
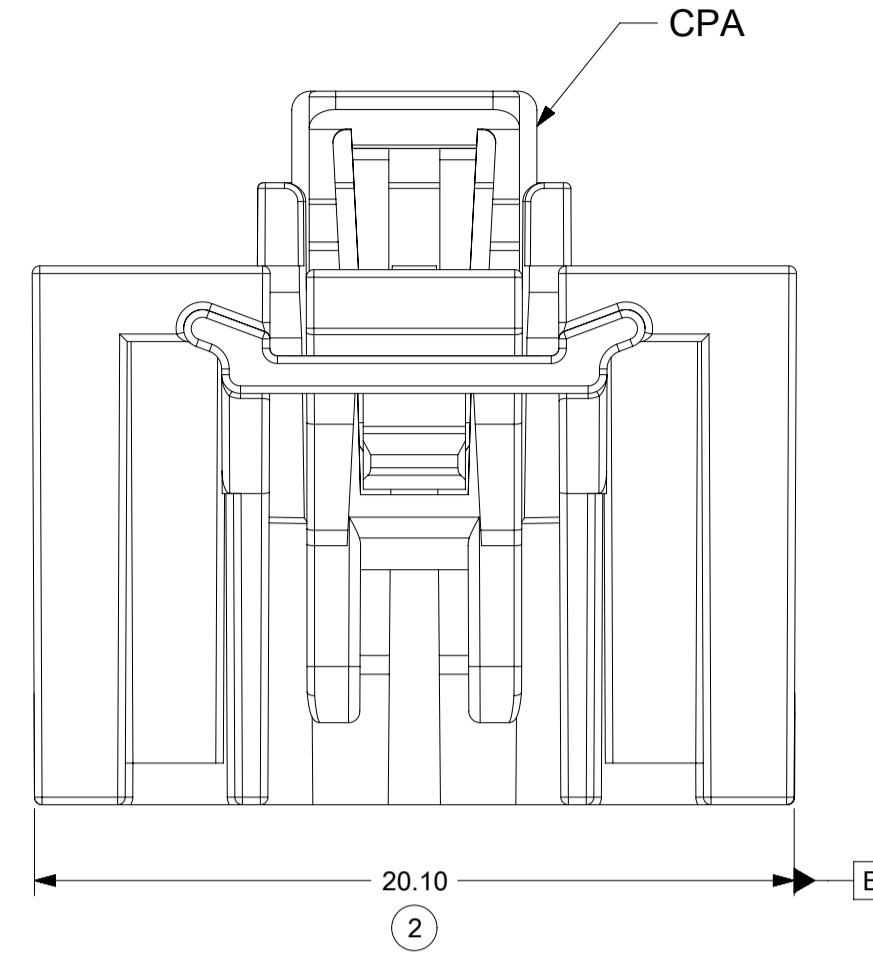
4CKT BRIDGE OPTION W/CPA IN PRE-LOCK



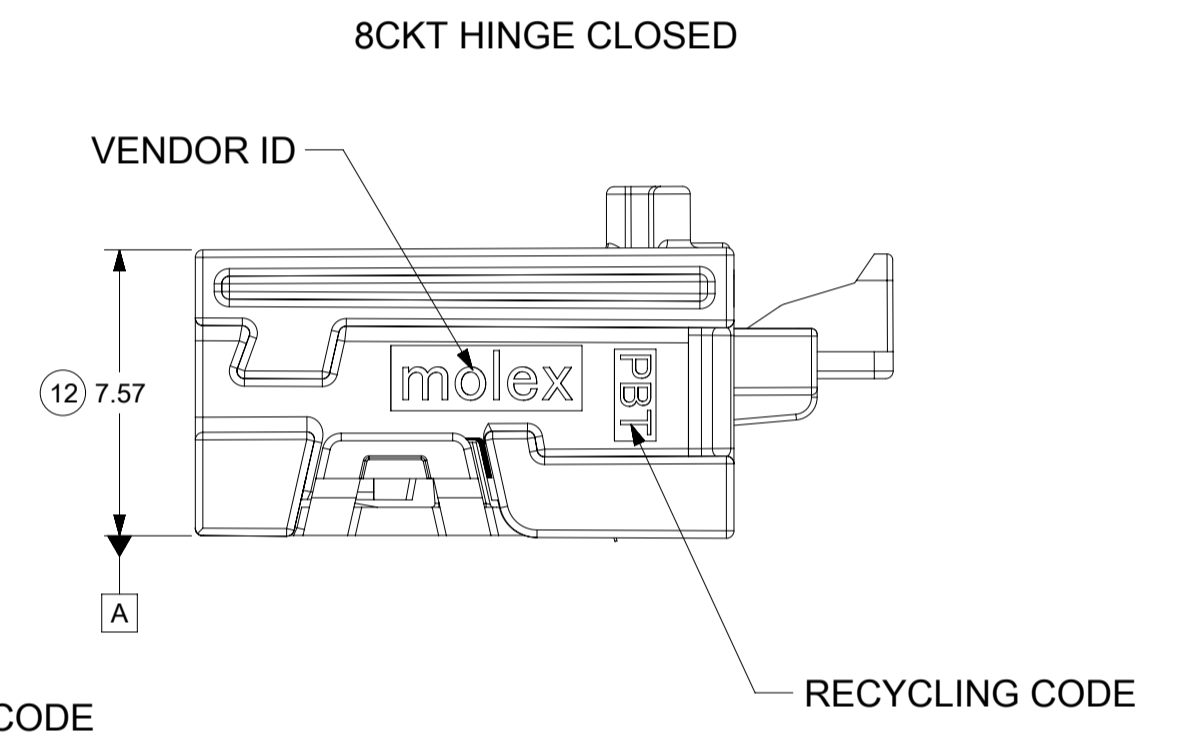
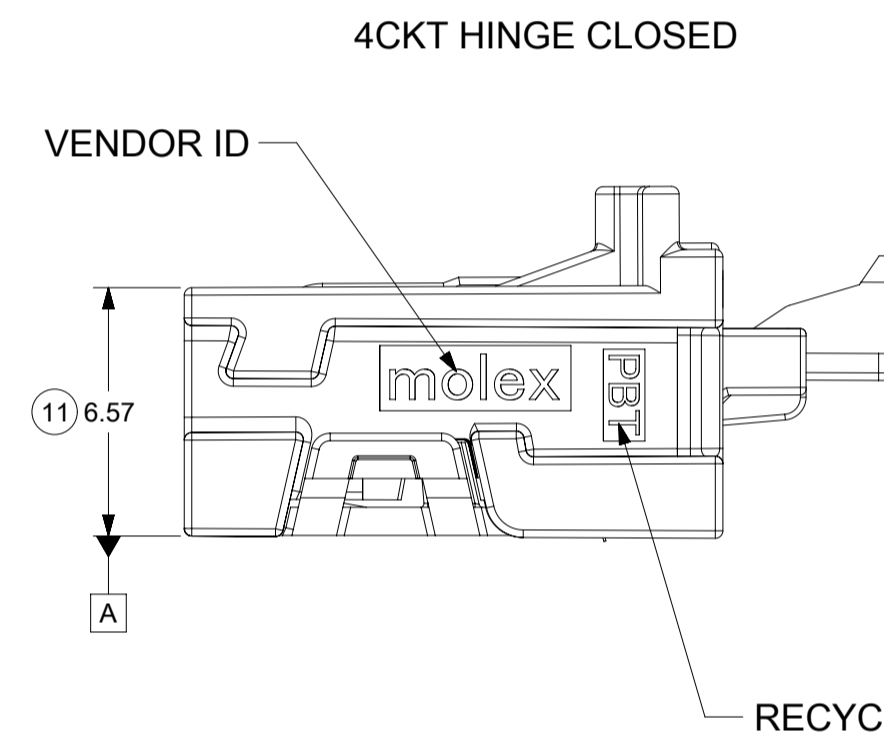
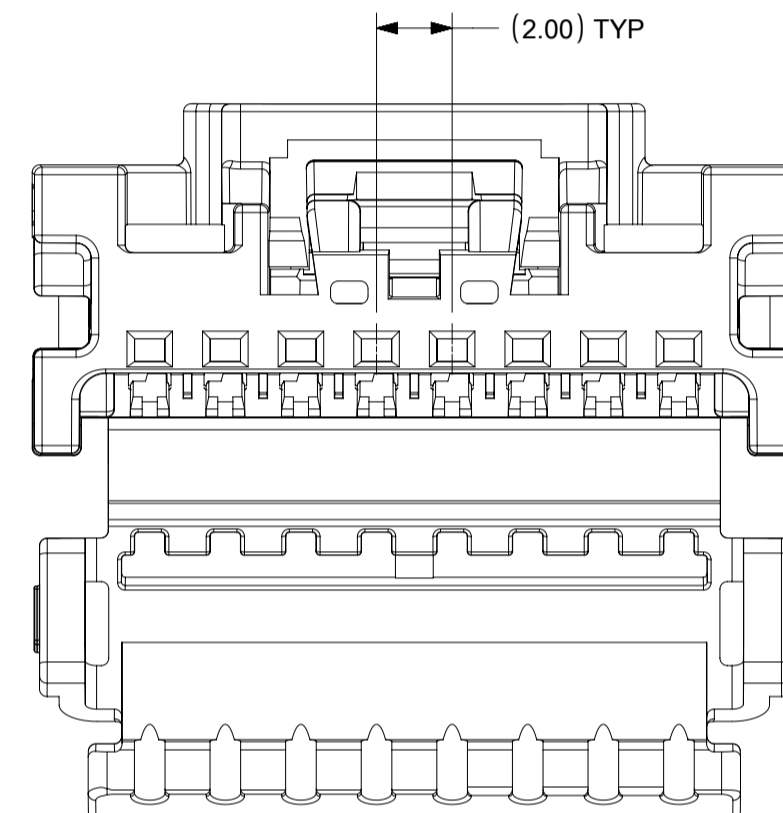
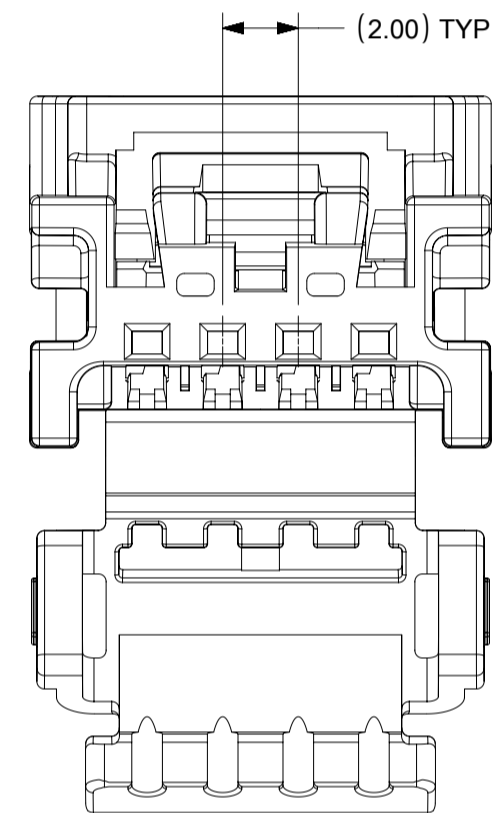
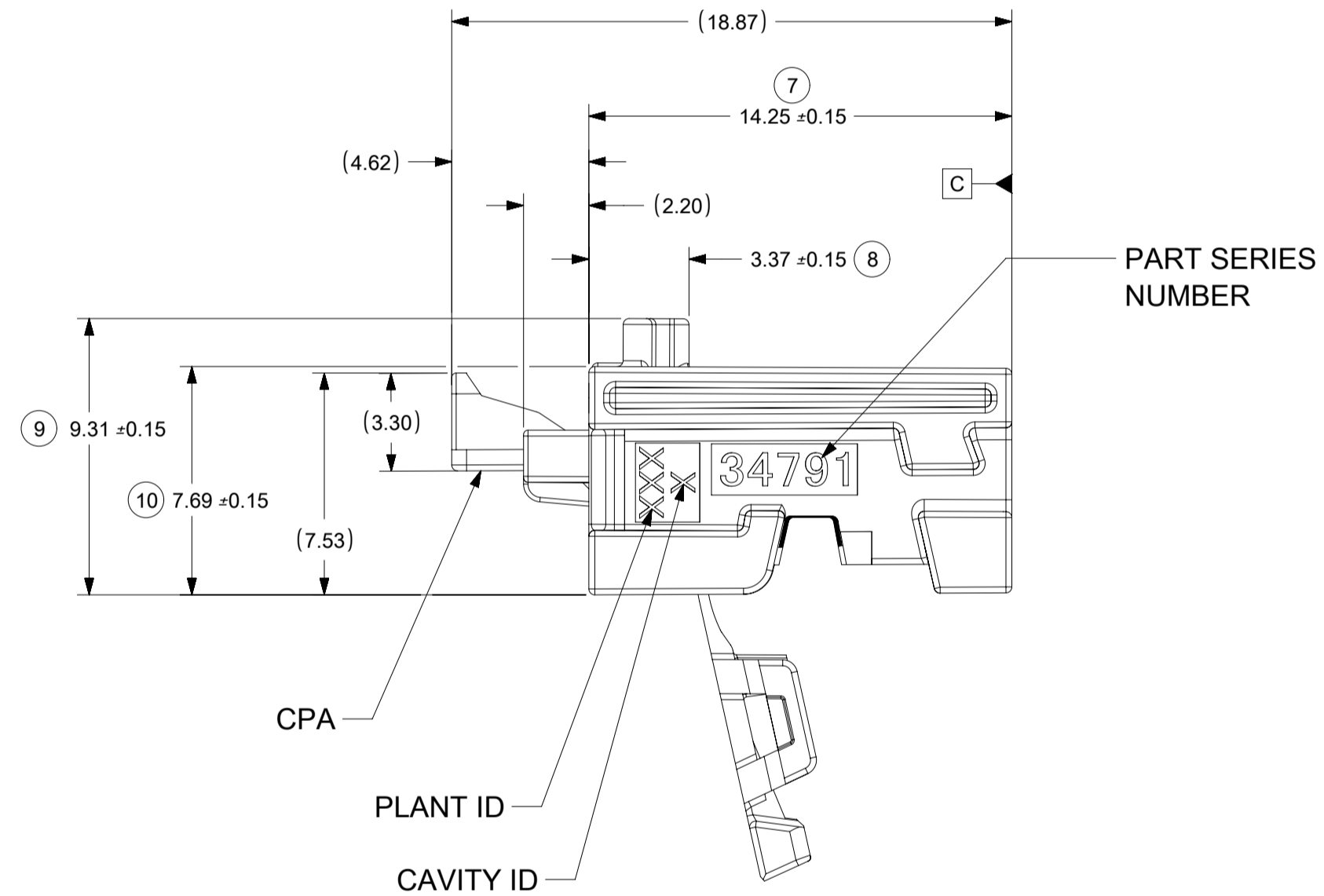
4CKT USCAR COMPATIBLE RECEPTACLE W/CPA



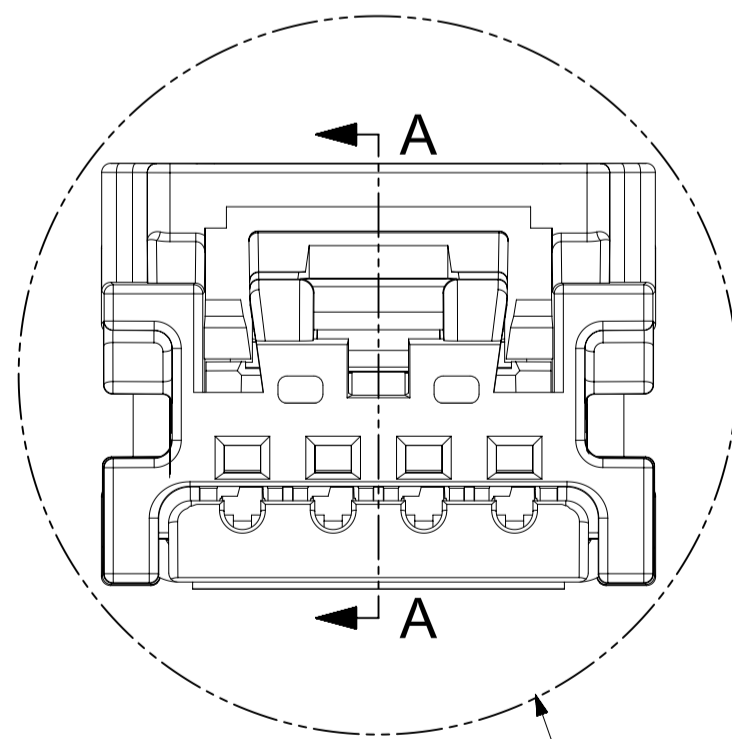
8CKT USCAR COMPATIBLE RECEPTACLE W/CPA



8CKT BRIDGE OPTION W/CPA IN PRE-LOCK

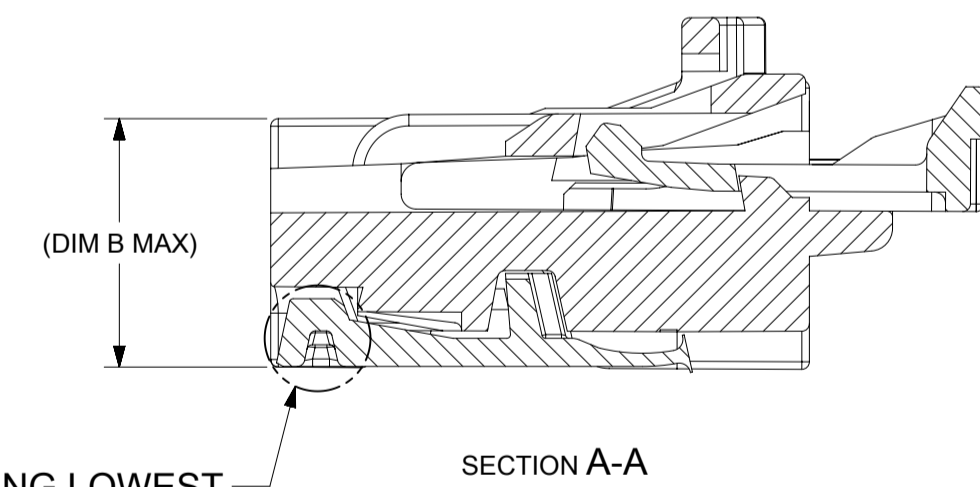


4CKT HINGE CLOSED



PASS THRU DIAMETER
∅ DIM A
1 mm ADDITIONAL CLEARANCE
ADDED TO TIGHTEST FIT CIRCLE

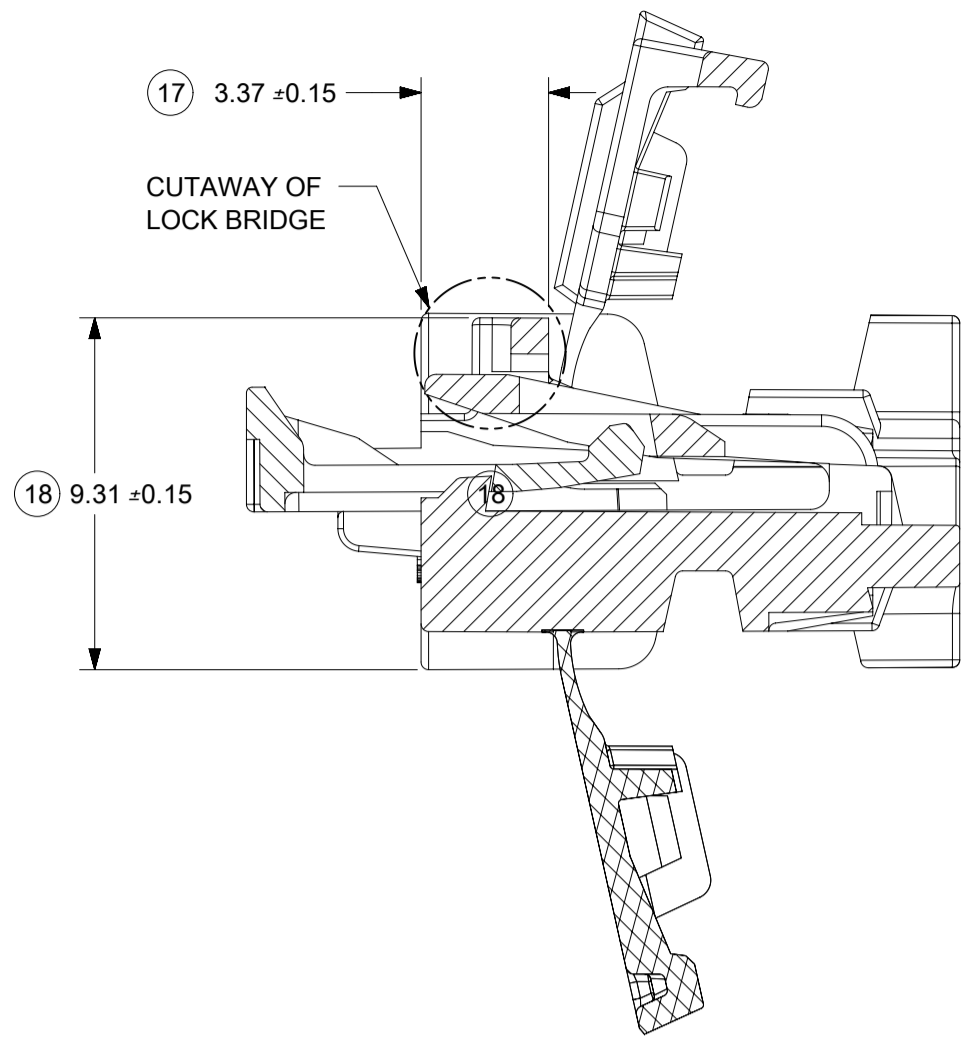
CUTAWAY SHOWING LOWEST POINT ASSEMBLED HINGE



CHARTED DIMENSIONS		
DESCRIPTION	DIMENSION	
	A	B
4 CKT	16.09	6.77
8 CKT	22.52	7.77
12 CKT	23.18	8.47
16 CKT	26.87	8.47
20 CKT	30.65	8.47
24 CKT	34.47	8.47

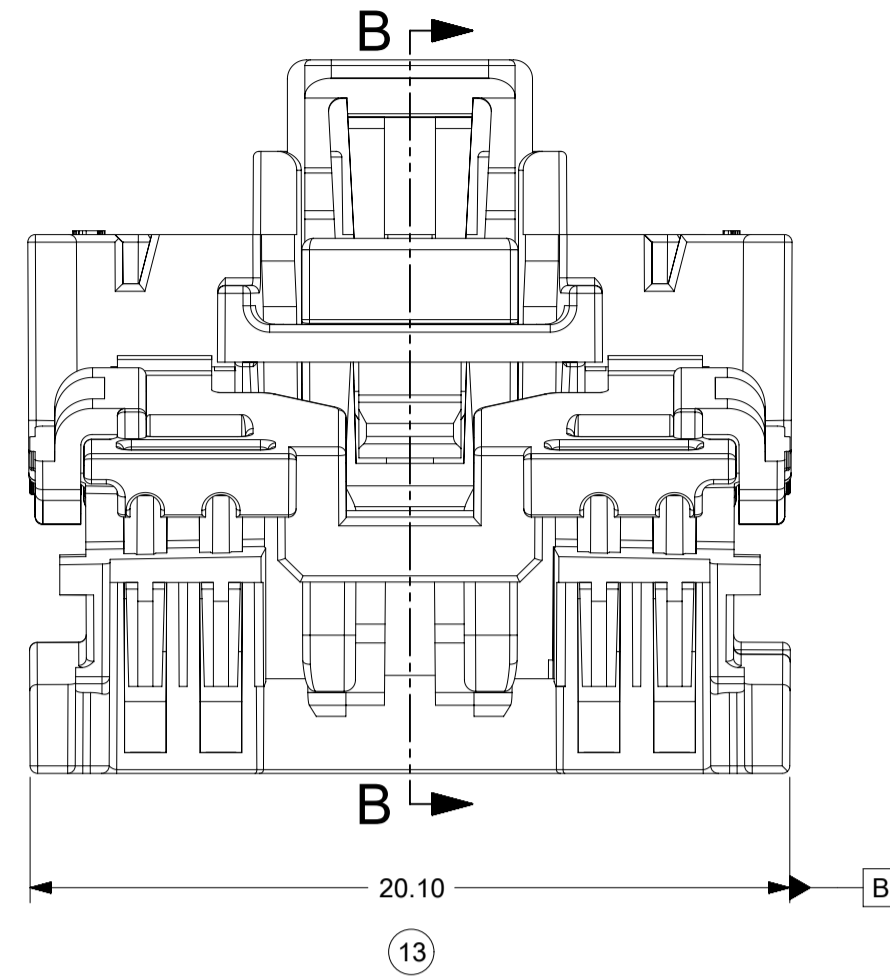
SYMBOLS THIS DRAWING CONTAINS INFORMATION THAT IS PROPRIETARY TO MOLEX ELECTRONIC TECHNOLOGIES, LLC AND SHOULD NOT BE USED WITHOUT WRITTEN PERMISSION DIMENSION UNITS: mm SCALE: 5:1 GENERAL TOLERANCES (UNLESS SPECIFIED) ANGULAR TOL: ± 1.0° 4 PLACES ± 3 PLACES ± 2 PLACES ± 0.1 1 PLACE ± 0.2 0 PLACES ± DRAFT WHERE APPLICABLE MUST REMAIN WITHIN DIMENSIONS	CURRENT REV DESC: EC NO: 608500 DRWN: JJOYA 2018/11/30 CHK'D: JDUNAJ 2018/12/03 APPR: JDUNAJ 2018/12/03					
	INITIAL REVISION: DRWN: TMACHUGA 2013/10/15 APPR: RBAUMAN 2013/11/13				MINI 50 SINGLE/DUAL ROW CPA-RECEPTACLE ASSEMBLY SALES DRAWING	
	PRODUCT CUSTOMER DRAWING		DOCUMENT NUMBER: SD-34824-003	DOC TYPE: PSD	DOC PART: 001	REVISION: M7
	MATERIAL NUMBER: 34824	CUSTOMER: GENERAL MARKET	SHEET NUMBER: 2 OF 4			

DUAL ROW LOCK BRIDGE OPTION

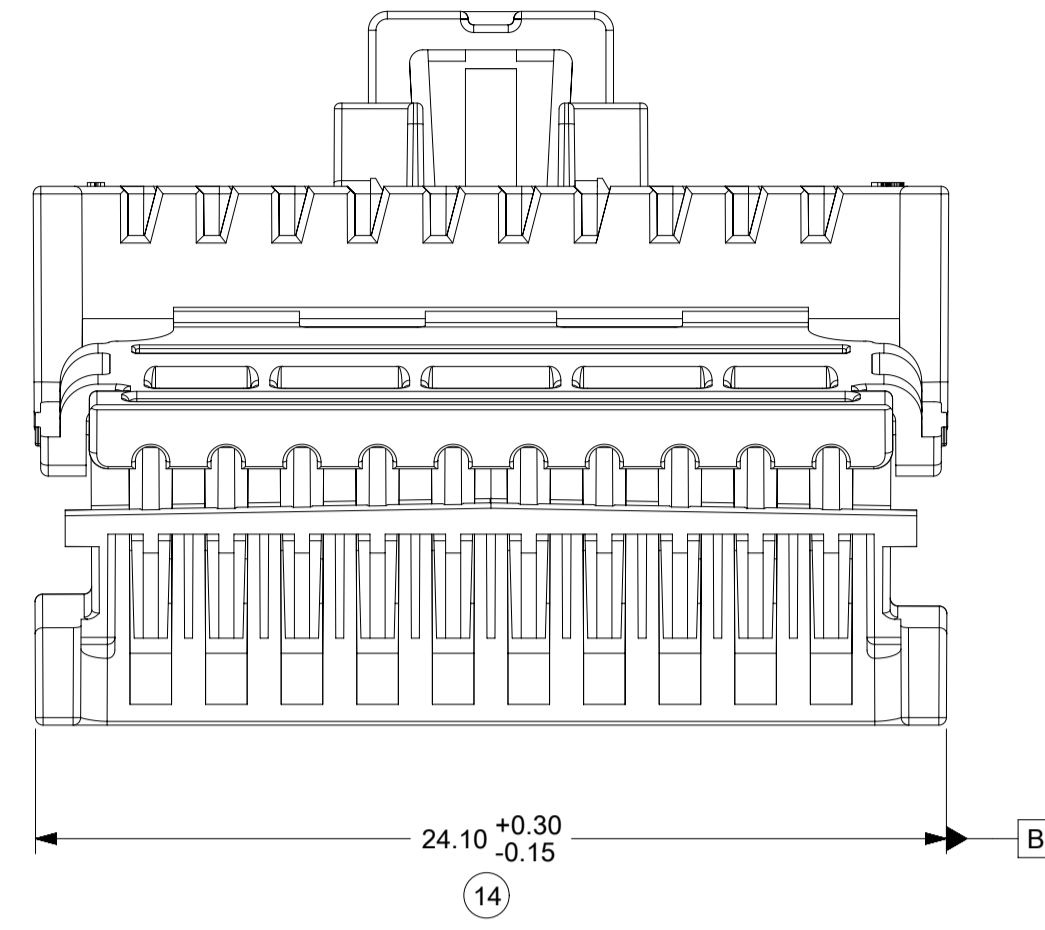


SECTION B-B

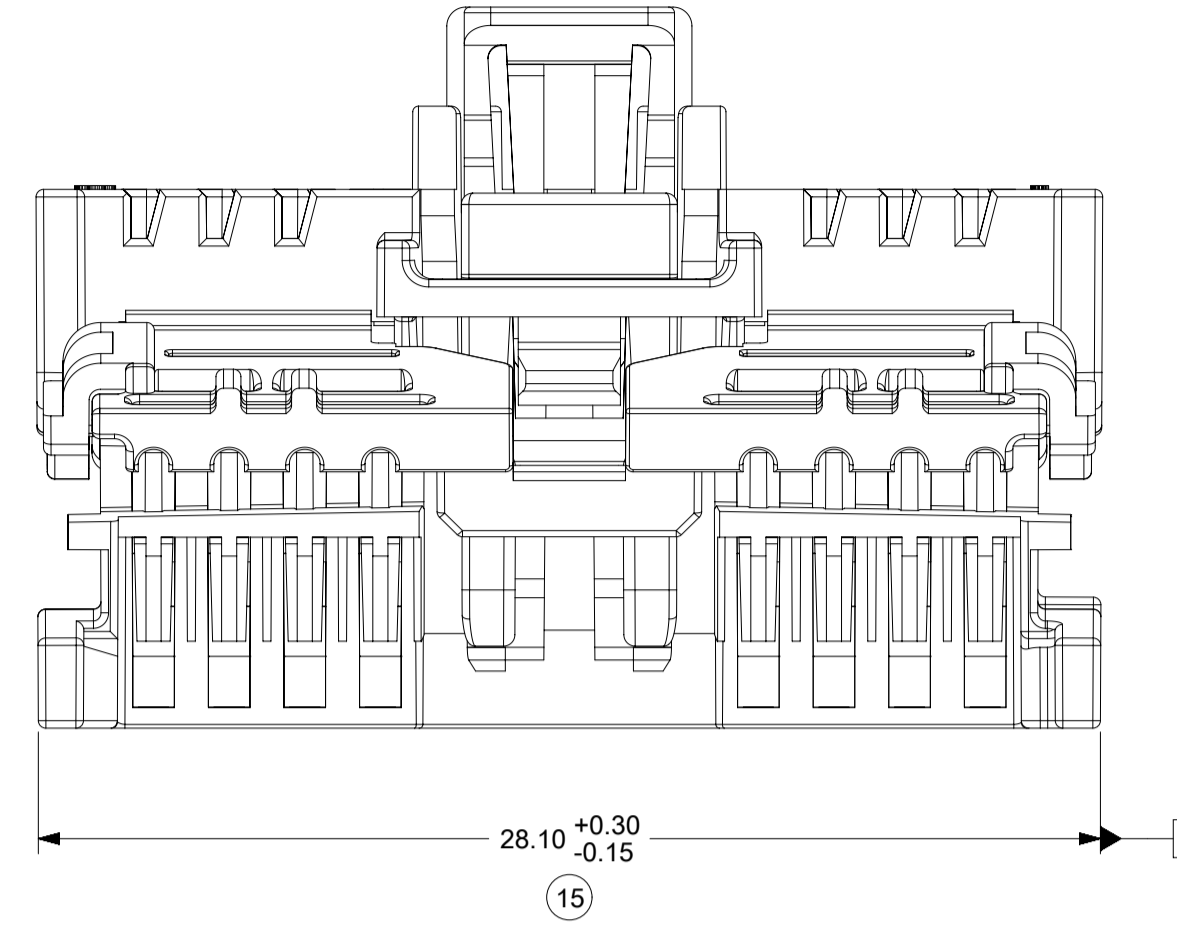
12 CKT USCAR COMPATIBLE RECEPTACLE W/CPA



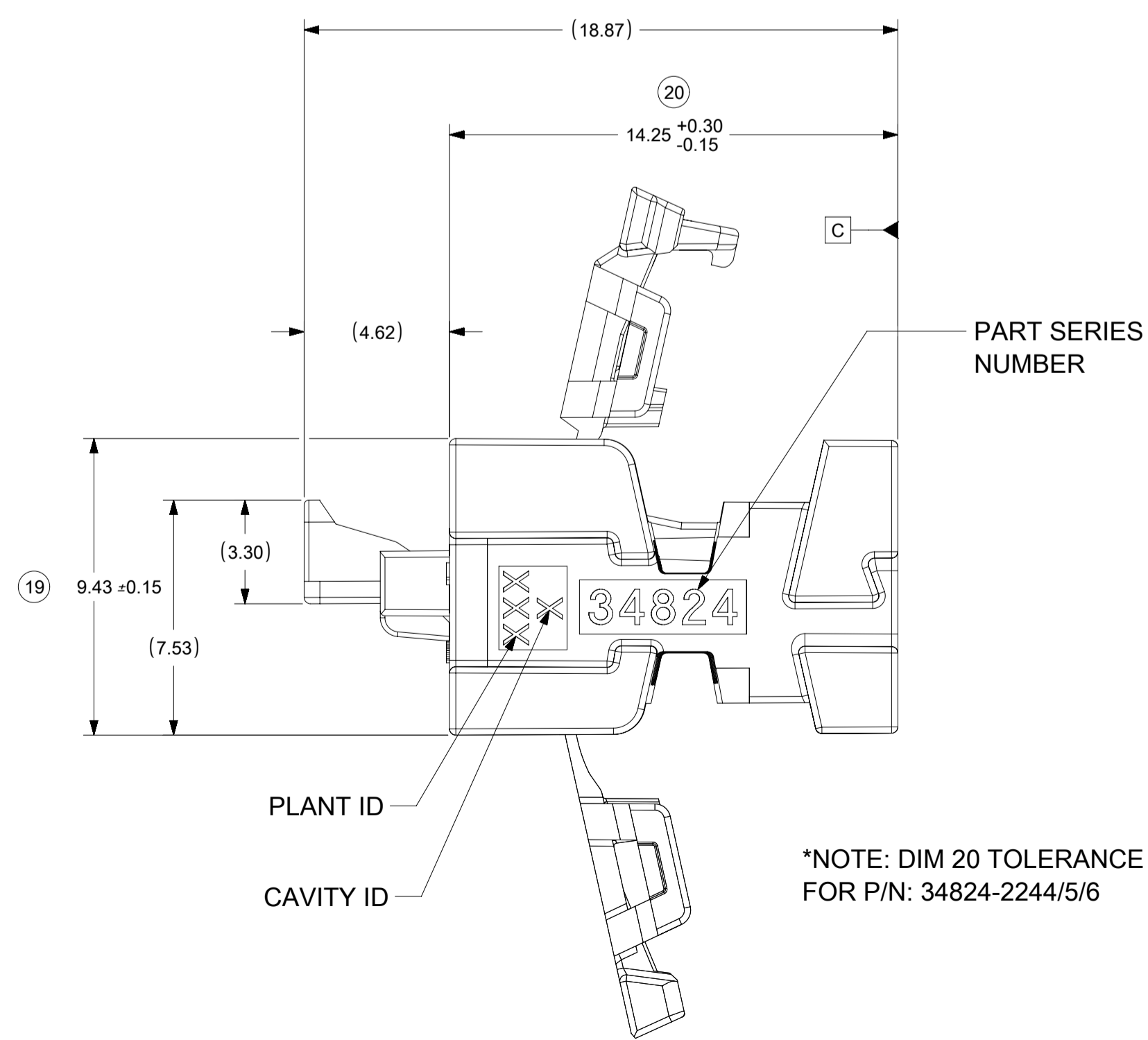
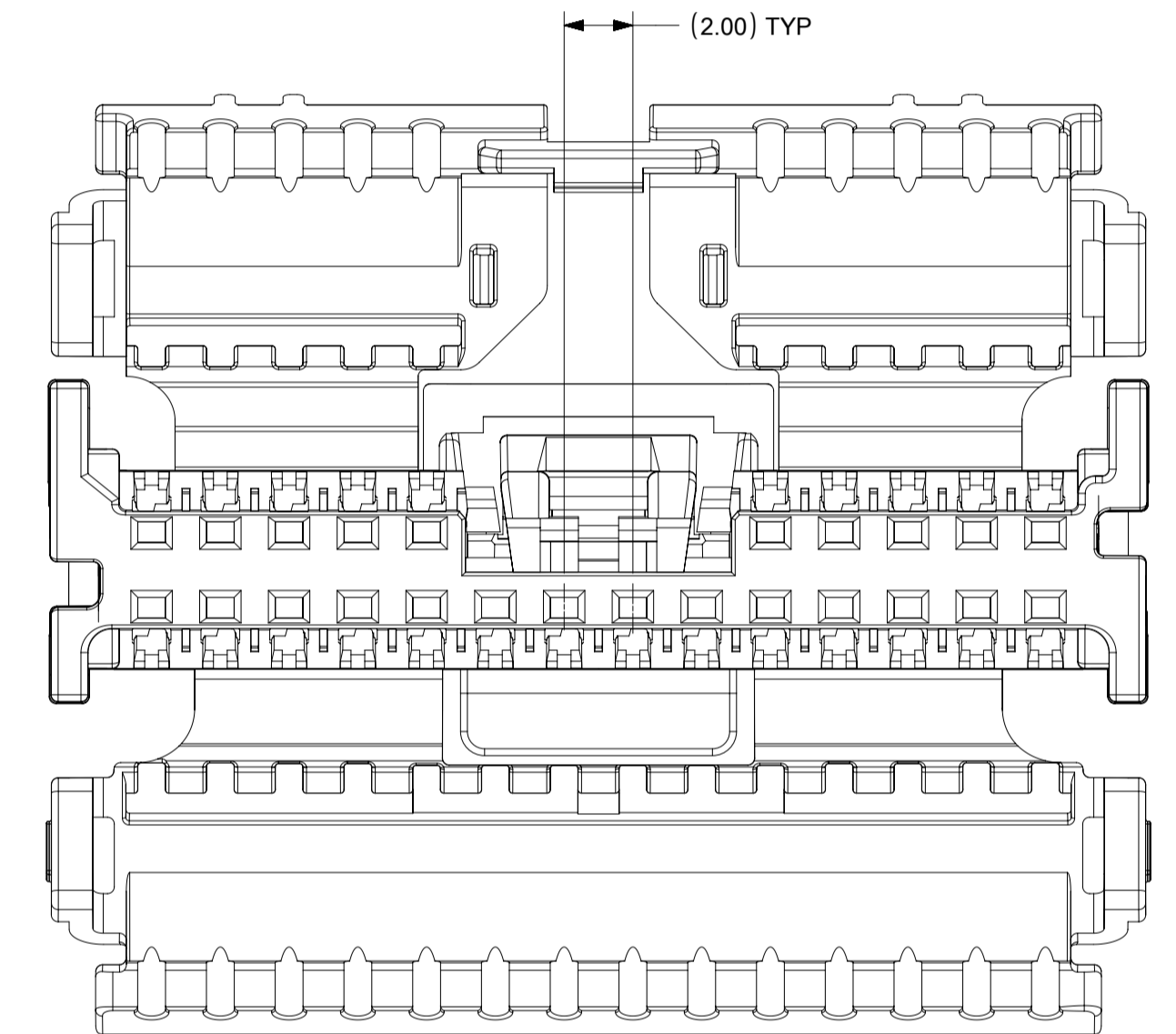
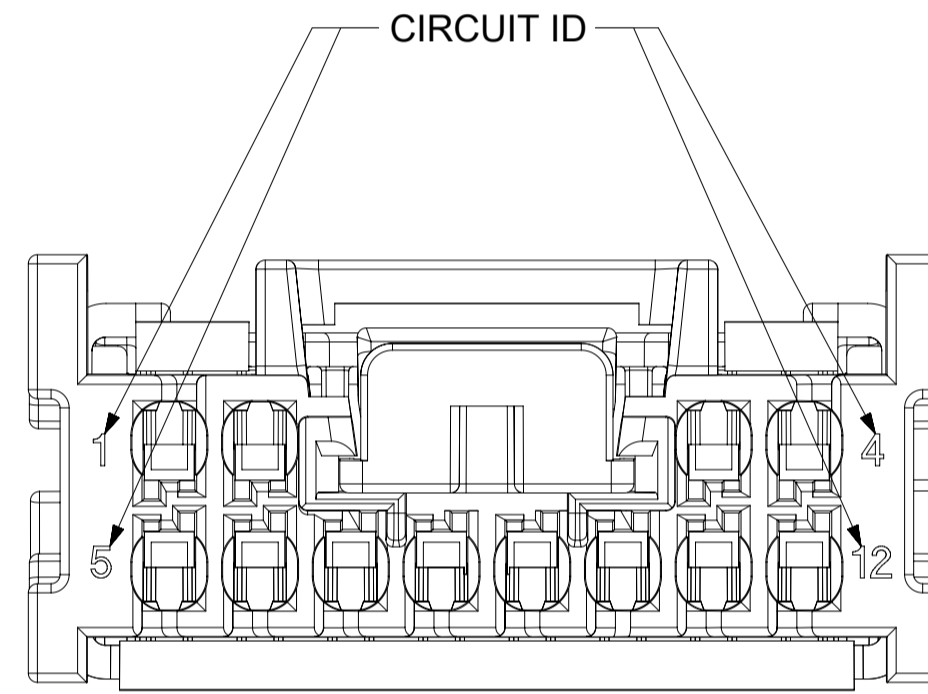
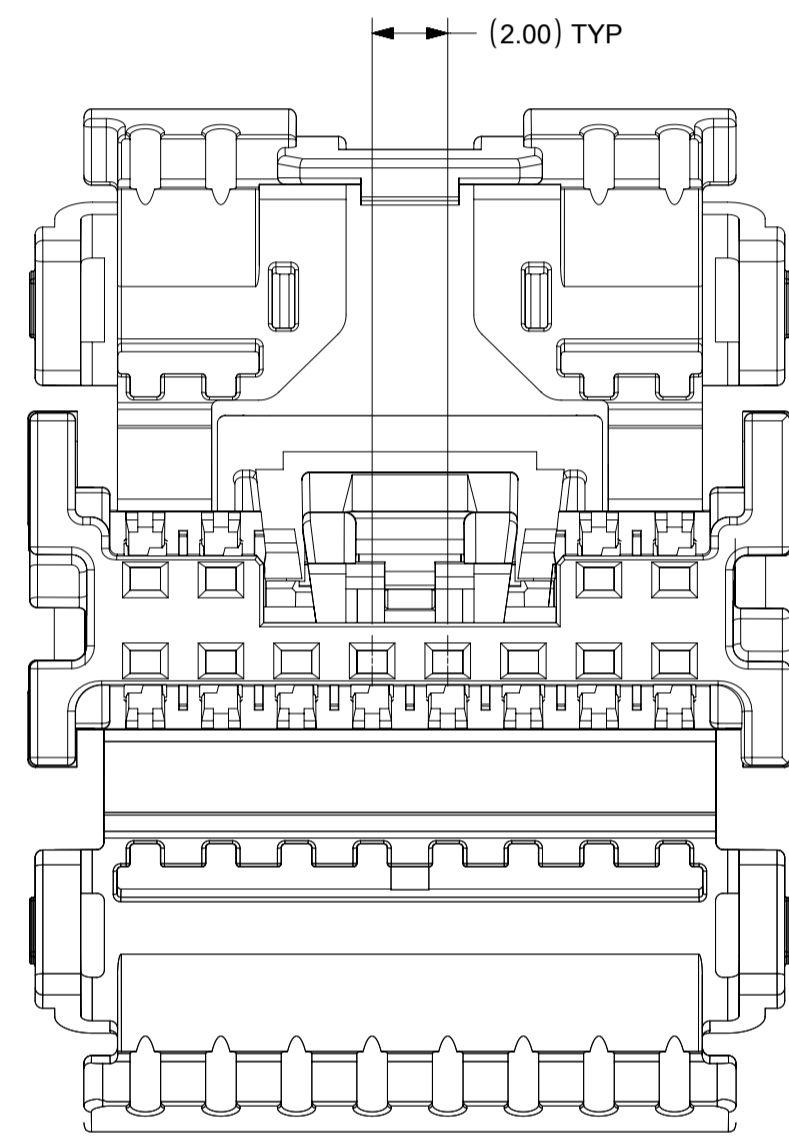
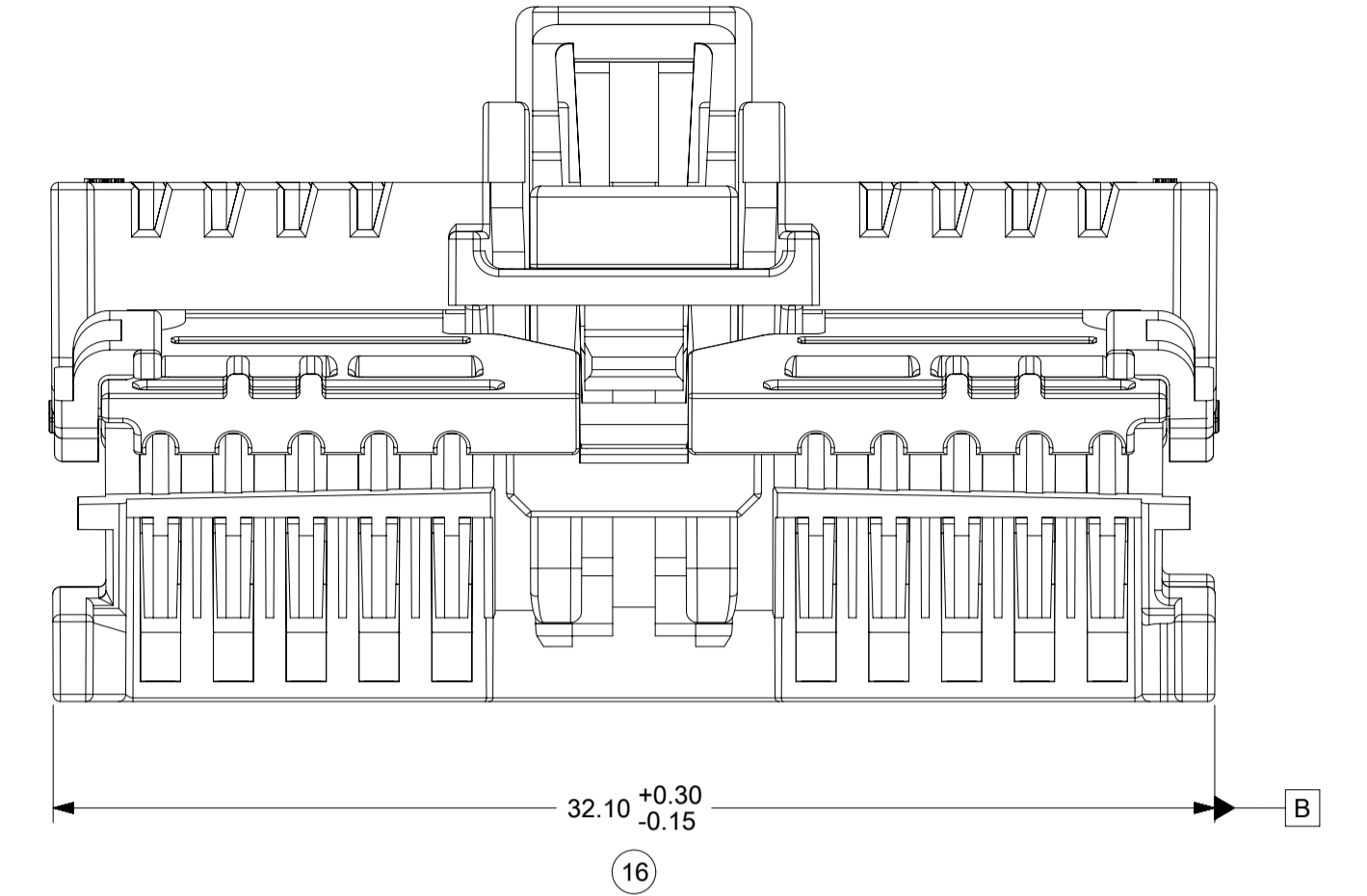
16 CKT USCAR COMPATIBLE RECEPTACLE W/CPA



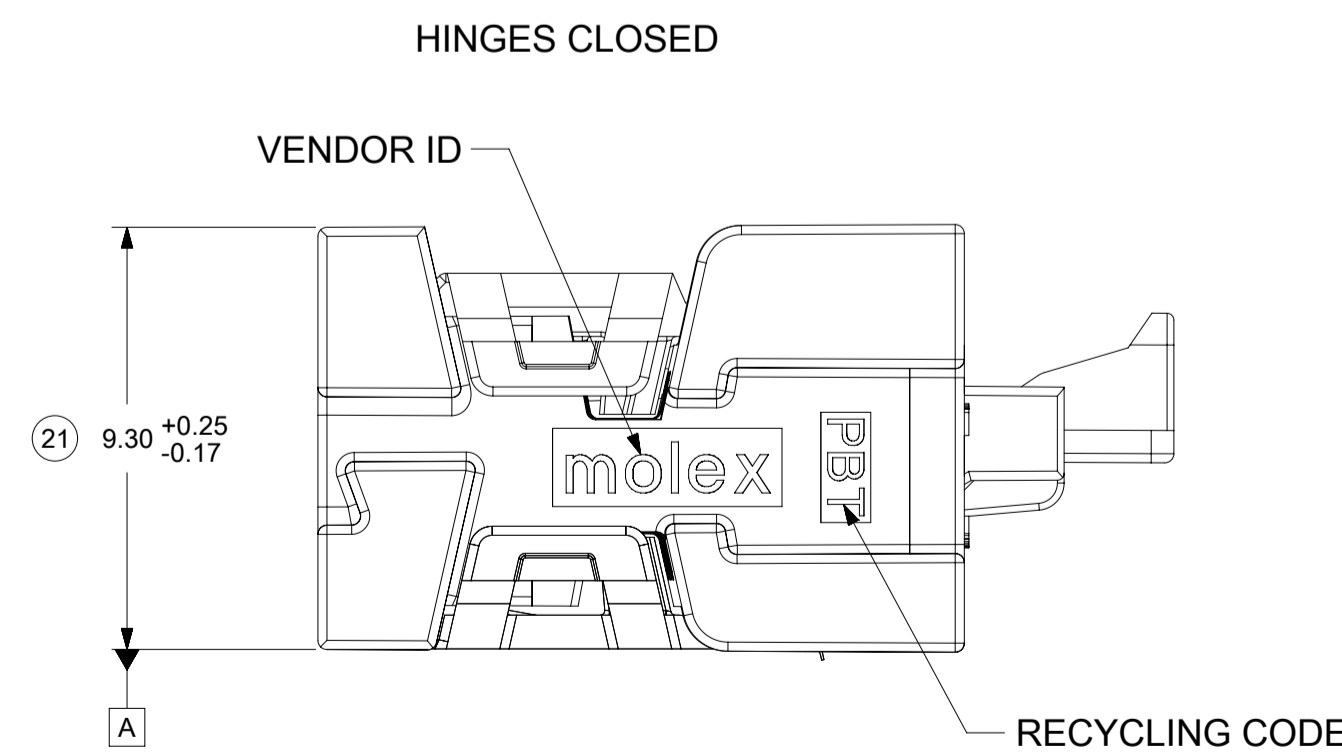
20 CKT USCAR COMPATIBLE RECEPTACLE W/CPA



24 CKT USCAR COMPATIBLE RECEPTACLE W/CPA



*NOTE: DIM 20 TOLERANCE IS +0.30/-0.15 FOR P/N: 34824-2244/5/6



*NOTE: DATUMS A AND C ARE SIMILAR FOR 12-24CKT CONNECTORS

SYMBOLS	THIS DRAWING CONTAINS INFORMATION THAT IS PROPRIETARY TO MOLEX ELECTRONIC TECHNOLOGIES, LLC AND SHOULD NOT BE USED WITHOUT WRITTEN PERMISSION		CURRENT REV DESC:	
	DIMENSION UNITS	SCALE		
▽ = 0	mm	5:1		
▽ = 0	GENERAL TOLERANCES (UNLESS SPECIFIED)			
▽ = 0	ANGULAR TOL ± 1.0°			
▽ = 0	4 PLACES	±	EC NO: 608500	
▽ = 0	3 PLACES	±	DRWN: JJOYA 2018/11/30	
▽ = 0	2 PLACES	± 0.1	CHK'D: JDUNAJ 2018/12/03	
▽ = 0	1 PLACE	± 0.2	APPR: JDUNAJ 2018/12/03	
▣ = 0	INITIAL REVISION:			
▣ = 0	0 PLACES ±		DRWN: TMACHUGA 2013/10/15	
▽ = 0	DRAFT WHERE APPLICABLE MUST REMAIN WITHIN DIMENSIONS		APPR: RBAUMAN 2013/11/13	
THIRD ANGLE PROJECTION	DRAWING	SERIES	DOCUMENT NUMBER	
	A1-SIZE	34824	SD-34824-003	
MATERIAL NUMBER		CUSTOMER	SHEET NUMBER	
		GENERAL MARKET	3 OF 4	

molex

MINI 50 SINGLE/DUAL ROW CPA-RECEPTACLE ASSEMBLY SALES DRAWING

PRODUCT CUSTOMER DRAWING

DOC TYPE | DOC PART | REVISION
PSD | 001 | M7

SINGLE ROW ASSEMBLY (RECEPTACLE WITH CPA)

MOLEX MATERIAL NUMBER BULK PACKAGING PK-31301-538	GENERAL MOTORS PART NUMBER	CONFIGURATION	MATERIAL TYPE	CIRCUIT	POL	COLOR	MATING COMPONENT					
							SURFACE MOUNT TECHNOLOGY (SMT) HEADER		VERTICAL THRU HOLE HEADER		RIGHT ANGLE THRU HOLE HEADER	
							TAPE AND REEL PACKAGING PK-31301-786	TUBE PACKAGING PK-31301-688	TAPE AND REEL PACKAGING PK-31301-440	TUBE PACKAGING PK-31301-688	TAPE AND REEL PACKAGING PK-31301-440	TUBE PACKAGING PK-31301-688
34791-5140	13507113	USCAR	PBT	4	A	BLACK	34912-8040	34912-9040	34792-0040	34792-9040	34793-0040	34793-9040
34791-5141	13507115	USCAR		4	B	LIGHT GRAY	34912-8041	34912-9041	34792-0041	34792-9041	34793-0041	34793-9041
34791-5142	13507116	USCAR		4	C	DARK GRAY	34912-8042	34912-9042	34792-0042	34792-9042	34793-0042	34793-9042
34791-5143	13507117	USCAR		4	D	GREEN	34912-8043	34912-9043	34792-0043	34792-9043	34793-0043	34793-9043
34791-5180	13507118	USCAR		8	A	BLACK	34912-8080	34912-9080	34792-0080	34792-9080	34793-0080	34793-9080
34791-5181	13507119	USCAR		8	B	LIGHT GRAY	34912-8081	34912-9081	34792-0081	34792-9081	34793-0081	34793-9081
34791-5182	13507120	USCAR		8	C	DARK GRAY	34912-8082	34912-9082	34792-0082	34792-9082	34793-0082	34793-9082

DUAL ROW ASSEMBLY (RECEPTACLE WITH CPA)

MOLEX MATERIAL NUMBER BULK PACKAGING PK-31301-538	GENERAL MOTORS PART NUMBER	CONFIGURATION	MATERIAL TYPE	CIRCUIT	POL	COLOR	MATING COMPONENT					
							SURFACE MOUNT TECHNOLOGY (SMT) HEADER		VERTICAL THRU HOLE HEADER		RIGHT ANGLE THRU HOLE HEADER	
							TAPE AND REEL PACKAGING PK-31301-786	TUBE PACKAGING PK-31301-688	TAPE AND REEL PACKAGING PK-31301-440	TUBE PACKAGING PK-31301-688	TAPE AND REEL PACKAGING PK-31301-440	TUBE PACKAGING PK-31301-688
34824-2164	N/A	USCAR	ECOPAXX	16	A	BLACK	34897-8160	34897-9160	34825-0160	34825-9160	34826-0160	34826-9160
34824-2165	N/A	USCAR		16	B	LIGHT GRAY	34897-8161	34897-9161	34825-0161	34825-9161	34826-0161	34826-9161
34824-2166	N/A	USCAR		16	C	DARK GRAY	34897-8162	34897-9162	34825-0162	34825-9162	34826-0162	34826-9162
34824-2204	13596105	USCAR		20	A	BLACK	34897-8200	34897-9200	34825-0200	34825-9200	34826-0200	34826-9200
34824-2205	13596106	USCAR		20	B	LIGHT GRAY	34897-8201	34897-9201	34825-0201	34825-9201	34826-0201	34826-9201
34824-2206	13596107	USCAR		20	C	DARK GRAY	34897-8202	34897-9202	34825-0202	34825-9202	34826-0202	34826-9202
34824-2244	N/A	USCAR		24	A	BLACK	34897-8240	34897-9240	34825-0240	34825-9240	34826-0240	34826-9240
34824-2245	N/A	USCAR		24	B	LIGHT GRAY	34897-8241	34897-9241	34825-0241	34825-9241	34826-0241	34826-9241
34824-2246	N/A	USCAR		24	C	DARK GRAY	34897-8242	34897-9242	34825-0242	34825-9242	34826-0242	34826-9242
34824-5124	13507121	USCAR		12	A	BLACK	34897-8120	34897-9120	34825-0124	34825-9124	34826-0124	34826-9124
34824-5125	13507122	USCAR		12	B	LIGHT GRAY	34897-8121	34897-9121	34825-0125	34825-9125	34826-0125	34826-9125
34824-5126	13507114	USCAR		12	C	DARK GRAY	34897-8122	34897-9122	34825-0126	34825-9126	34826-0126	34826-9126
34824-2160	N/A	USCAR	PBT	16	A	BLACK	34897-8160	34897-9160	34825-0160	34825-9160	34826-0160	34826-9160
34824-2161	N/A	USCAR		16	B	LIGHT GRAY	34897-8161	34897-9161	34825-0161	34825-9161	34826-0161	34826-9161
34824-2162	N/A	USCAR		16	C	DARK GRAY	34897-8162	34897-9162	34825-0162	34825-9162	34826-0162	34826-9162
34824-2200	13596105	USCAR		20	A	BLACK	34897-8200	34897-9200	34825-0200	34825-9200	34826-0200	34826-9200
34824-2201	13596106	USCAR		20	B	LIGHT GRAY	34897-8201	34897-9201	34825-0201	34825-9201	34826-0201	34826-9201
34824-2202	13596107	USCAR		20	C	DARK GRAY	34897-8202	34897-9202	34825-0202	34825-9202	34826-0202	34826-9202
34824-2240	N/A	USCAR		24	A	BLACK	34897-8240	34897-9240	34825-0240	34825-9240	34826-0240	34826-9240
34824-2241	N/A	USCAR		24	B	LIGHT GRAY	34897-8241	34897-9241	34825-0241	34825-9241	34826-0241	34826-9241
34824-2242	N/A	USCAR		24	C	DARK GRAY	34897-8242	34897-9242	34825-0242	34825-9242	34826-0242	34826-9242

*NOTE: MOLEX CONFIGURATION CONSISTS OF AN EXPANSION OF THE 12CKT USCAR-COMPATIBLE CONFIGURATION TO ALLOW FOR 16, 20, AND 24 CIRCUITS

MINI50 CPA (APPLIED TO SINGLE AND DUAL ROW BRIDGED RECEPTACLE CONNECTORS)

MATERIAL NUMBER	COLOR	MATING COMPONENT
34824-7000	NATURAL	SEE CHARTS ABOVE

CTX50 UNSEALED RECEPTACLE TERMINALS

PART NUMBER		MATERIAL	WIRE GAGE (mm ²)	GRIP
D-WIND (LEFT PAYOFF)	B-WIND (RIGHT PAYOFF)			
560023-0448	560023-0450	COPPER ALLOY	0.35	LARGE
560023-0421	560023-0423	COPPER ALLOY	0.22	MEDIUM
560023-0422	560023-0424	COPPER ALLOY	0.13	SMALL

SYMBOLS	THIS DRAWING CONTAINS INFORMATION THAT IS PROPRIETARY TO MOLEX ELECTRONIC TECHNOLOGIES, LLC AND SHOULD NOT BE USED WITHOUT WRITTEN PERMISSION		CURRENT REV DESC:		molex			
	DIMENSION UNITS	SCALE						
▽ = 0	mm	1:1	EC NO: 608500 DRWN: JJOYA 2018/11/30 CHK'D: JDUNAJ 2018/12/03 APPR: JDUNAJ 2018/12/03 INITIAL REVISION: DRWN: TMACHUGA 2013/10/15 APPR: RBAUMAN 2013/11/13		MINI 50 SINGLE/DUAL ROW CPA-RECEPTACLE ASSEMBLY SALES DRAWING			
▽ = 0	GENERAL TOLERANCES (UNLESS SPECIFIED)							
▽ = 0	ANGULAR TOL ± 1.0°				PRODUCT CUSTOMER DRAWING			
▽ = 0	4 PLACES	±						
▽ = 0	3 PLACES	±			DOCUMENT NUMBER: SD-34824-003 DOC TYPE: PSD DOC PART: 001 REVISION: M7			
▽ = 0	2 PLACES	± 0.1						
▽ = 0	1 PLACE	± 0.2			MATERIAL NUMBER: 34824 CUSTOMER: GENERAL MARKET SHEET NUMBER: 4 OF 4			
▽ = 0	0 PLACES	±						
☒ = 0	DRAFT WHERE APPLICABLE MUST REMAIN WITHIN DIMENSIONS		THIRD ANGLE PROJECTION	DRAWING	SERIES			
▽ = 0				A1-SIZE	34824			