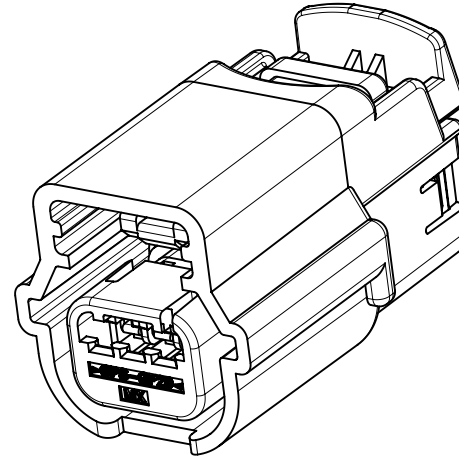
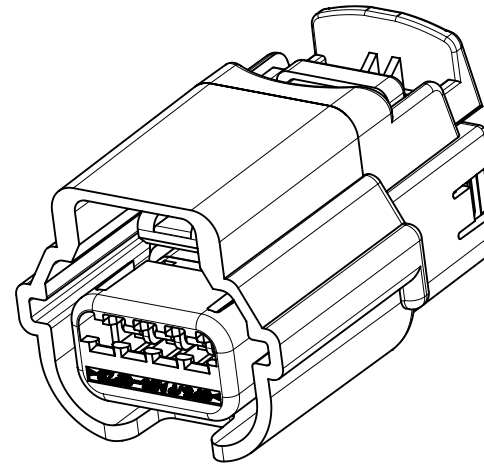


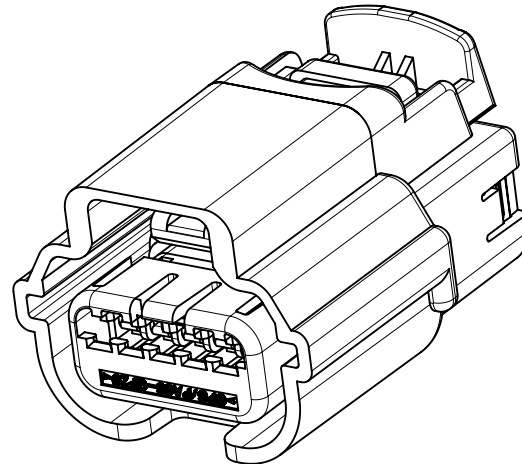
1X2



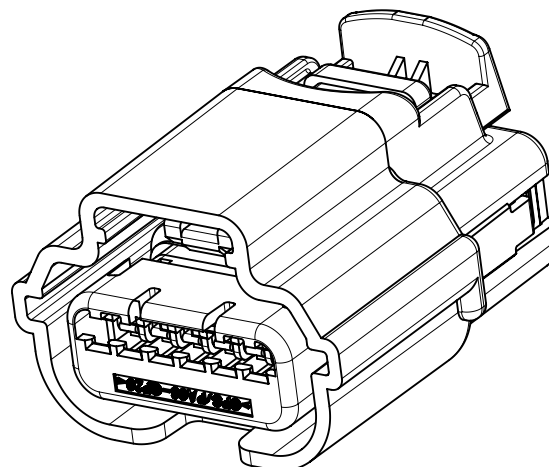
1X3



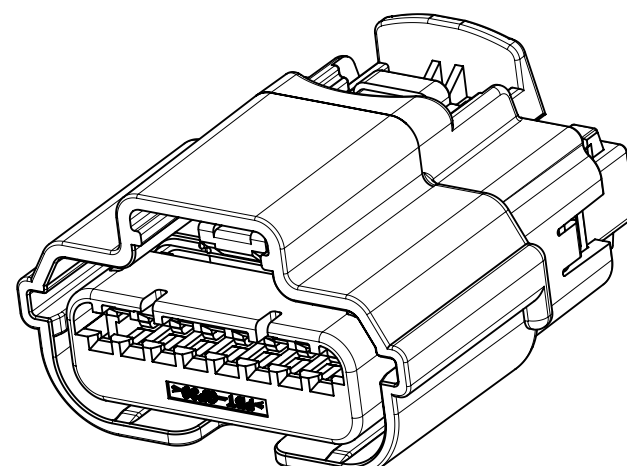
1X4



1X5



1X6



1X8

TABLE OF CONTENTS	
SHEET NO.	SHEET DESCRIPTION
1	NOTES AND BOM
2	CONNECTOR ASSEMBLY WITHOUT CLIPSLOT
3	CONNECTOR ASSEMBLY WITH CLIPSLOT
4-5	KEY CONFIGURATIONS
6-9	BOM

NOTES: VALID UNLESS OTHERWISE SPECIFIED

1. GENERAL:
  - a. APPLICATION SPECIFICATION SEE: AS-31402-000
    - CONTAINS: SEE AS CONTENT
    - DESIGNED TO MATE WITH DEVICE OR CONNECTOR AS SPECIFIED IN THE MATING INTERFACE DRAWINGS CHART.
    - \*DENOTES DRAWINGS THAT CAN BE ACCESSED AT <http://ewcap.uscarteams.org/>.
    - ASSEMBLY SHIPPED WITH PLR IN PRE-LOCK POSITION (SEE PLR PRE-LOCK VIEW ON SHEET 2 SECTION A-A).
  - b. PRODUCT RELATED DRAWING REFER TO DRAWING INFORMATION CHART
  - c. TPA'S MAY BECOME SEATED DURING TRANSIT. IF THIS OCCURS, TPA'S SHOULD BE MOVED TO THE PRE-LOCKED POSITION PRIOR TO FEMALE TERMINAL INSTALLATION. REFERENCE PRODUCT SPECIFICATION: PS-34646-001
  - d. PARTS MUST BE IN COMPLIANCE TO MOLEX CHEMICAL SUBSTANCES FOR PRODUCTS AND PACKAGING SPECIFICATION: QEHS-699000-301
  - e. DATA MUST BE SUBMITTED UNDER THE MOLEX PART NUMBER TO IMDS (COMPANY ID#13255)
  - f. SYSTEM EXCEPT SERIES 31404 1X8 CIRCUIT TO BE USED WITH OUTSIDE WIRE DIAMETERS RANGING FROM 1.20MM TO 2.06MM WITHIN RANGE OF:
    - SAE 22 AWG TO 18 AWG PER ESB-M1L123-A2
    - ISO 0.35MM<sup>2</sup> TO 0.75MM<sup>2</sup> PER GMW15626 AND ES-AU5T-1A348-AA
  - g. POLARIZATION FEATURE EFFECTIVENESS PER USCAR-2 PARAGRAPH 5.4.4 IS REDUCED WHEN TESTING ALL POLARIZATION OPTIONS: 100N MIN.
  - h. SEE SHEET #3 FOR CONNECTOR ASSEMBLY WITH CLIPSLOP
  - i. FOR CLIPSSLOT CONNECTOR: CLIP OVERHANGS CONNECTOR, PLEASE CHECK APPLICATION (COULD CAUSE WIRE CHAFING)-SHORTER CLIP IS A RECOMMENDATION.
2. DESIGN - GEOMETRY:
  - a. THE 3-D CAD DATA IS BASIC (WITHOUT TOLERANCE) AND MASTER FOR THIS PART WITH THE EXCEPTION OF UNDERLINED DIMENSIONS. DIMENSIONAL INFORMATION NOT SHOWN ON THIS DRAWING IS DEFINED BY THE DATA FILE AT ITS LATEST REVISION.
  - b. GEOMETRIC DIMENSIONS AND TOLERANCES PER ASME Y14.5M-2009
  - c. EDGES AND UNDIMENSIONED DETAILS PER ISO13715
  - d. CORNERS SHOWN AS SHARP TO BE R 0.2 MAX.
  - e. LETTERING SHALL BE 0.15 MAX RAISED IN 0.25 MAX RECESS PAD. THIS INCLUDES RECYCLING CODE, CAVITY ID, VENDOR IDENTIFICATION, AND CUSTOMER MATERIAL NUMBER.
  - f. VISUAL DEFECTS SHALL MEET COSMETIC STANDARD PS-45499-002 (Class B).
  - g. DATE CODE: FIRST TWO DIGITS ARE THE CALENDAR YEAR (EXAMPLE: 04 = 2004). THIRD THROUGH 5TH DIGIT DAY # OF THE CALENDAR YEAR (EXAMPLE: FEB. 3RD = '034').

DRAWING INFORMATION	
DESCRIPTION	DRAWING NO.
PRODUCT SPECIFICATION	PS-31402-000
	FOR 31404 1X8 REFER TO PS-31404-001-1X8
PACKAGING	PK-31300-256
SALES DRAWING	SD-31402-211
	FOR 31404 1X8 REFER TO SD-31404-811
TEST SUMMARY	FOR 1X2 REFER TO TS-31402-001-1X2
	FOR 1X3 REFER TO TS-31402-001-1X3
	FOR 1X6 REFER TO TS-31402-001-1X6
	FOR 31404 1X8 REFER TO TS-31404-001-1X8

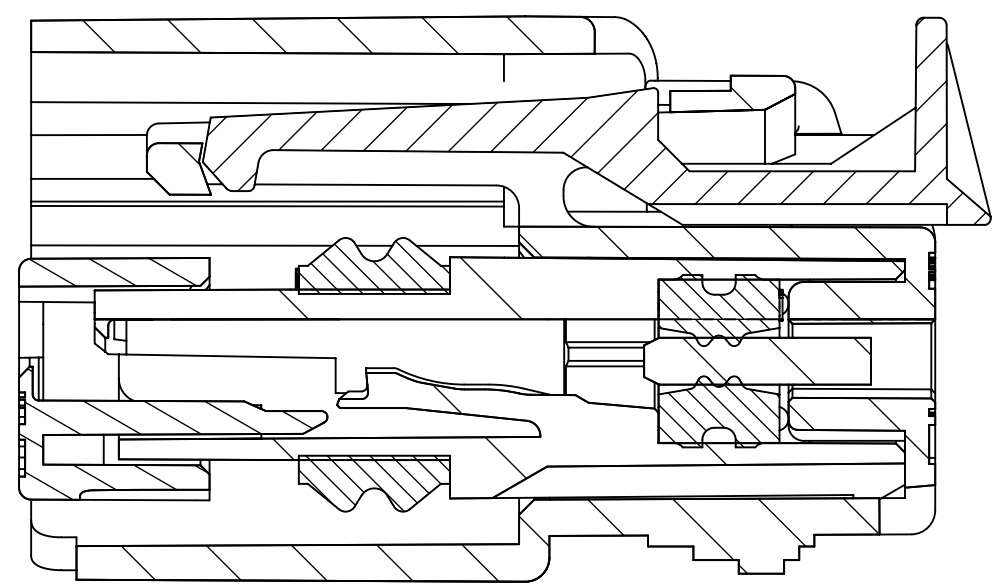
MATING INTERFACE DRAWING	
DESCRIPTION	INTERFACE DEFINITION
1X2	*064-S-002-1-Z02
1X3	*064-S-003-1-Z01
1X4	*064-S-004-1-Z02
1X5	*064-S-005-1-Z02
1X6	*064-S-006-1-Z02
1X8	*064-S-008-1-Z02

PART NUMBER LEGEND  
CONNECTOR ASSEMBLY

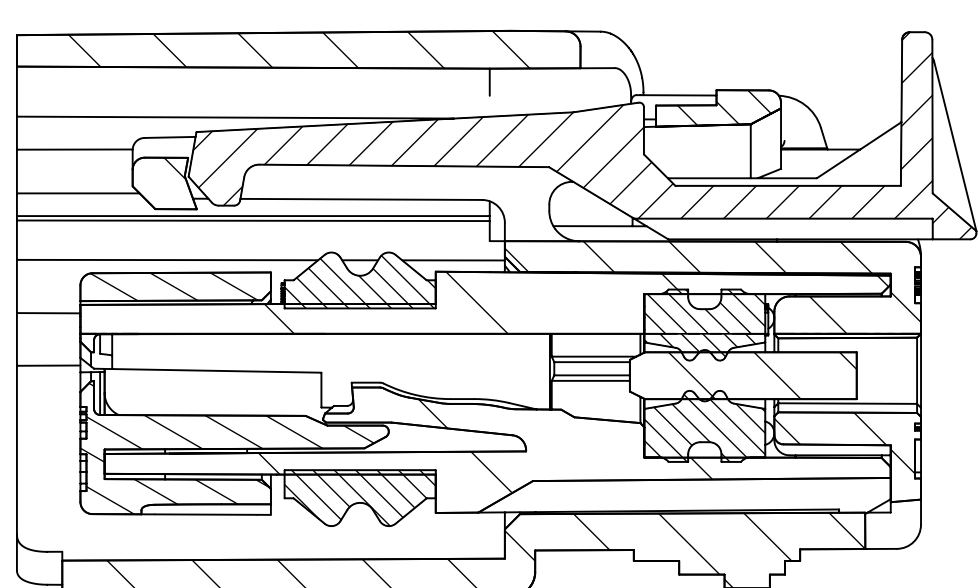
- 3140X-XXXX
- SEAL PLUG CONFIGURATION (AS MOLDED)
    - 0 - ALL CIRCUITS OPEN
    - 1-9 SEE CHART
  - CPA OPTION
    - 0 OR 2 - WITHOUT CPA
    - 1 OR 3 - WITH CPA
    - 4 - WITHOUT CPA, WITH CLIPSLOT
    - 5 - WITH CPA, WITH CLIPSLOT
  - USCAR POLARIZATION OPTION
    - 1 - POLARIZATION OPTION A
    - 2 - POLARIZATION OPTION B
    - 3 - POLARIZATION OPTION C
    - 4 - POLARIZATION OPTION D
    - 5 - POLARIZATION OPTION B, BLACK
    - 6 - POLARIZATION OPTION C, BLACK
    - 7 - POLARIZATION OPTION D, BLACK
    - 8 - POLARIZATION OPTION C, NATURAL
    - 9 - POLARIZATION OPTION D, GRAY
    - 0 - POLARIZATION OPTION D, DARK GRAY
  - CIRCUIT SIZE 2, 3, 4, 5, 6 & 8
    - 6 - CIRCUIT SIZE 6, WITH 31412-6500 OR 31412-6501 RING SEAL (FOR 31402 AND 31403 SERIES) WITH 31412-6500 RING SEAL (FOR 31404 SERIES)
    - 7 - CIRCUIT SIZE 6, WITH 31412-6501 RING SEAL (FOR 31404 SERIES)
  - TERMINAL OPTION
    - 2 - TYCOMOLEX GET 0.64
    - 3 - MOLEX 0.64
    - 4 - YAZAKI KAIZEN 0.64/TE GEN Y 0.64/JUST AIT 0.64

T7	CHANGE STATUS FROM "TOOLED" TO "SALEABLE" ADD P/N 31404-7135/7125, 31404-7216/7206, 31404-7913/7903
T6	ADD P/N: 31404-7124, 31404-7134, 31404-7205, 31404-7215, 31404-7803, 31404-7813
T5	ADD P/N: 31404-7123; 31404-7133; 31404-7902; 31404-7912
T4	ADD P/N:31402-2120,31402-2130,31402-3104,31402-3114,31402-6201,31402-6211, 31402-6301,31402-6311,31402-6401,31402-6411,31402-6501,31402-6511, 31402-6601,31402-6611,31402-6701,31402-6711,31403-6201,31403-6211, 31403-6301,31403-6311,31403-6401,31403-6411,31403-6501,31403-6511, 31403-6601,31403-6611,31403-6701,31403-6711,31404-6201,31404-6211
T2	UPDATE BOM INFORMATION ON SHEET 9
T1	DELETE 31402/31403-7*** P/N
T	ADD P/N 3140*-7XXXX FOR 1X6 WITH 31412-6501 RING SEAL VERSION ON SHEET 9
S	ADD P/N: 31402-6131; 31402-6121
R	ADD P/N: 31404-3112; 31404-3102
P	ADD P/N: 31403-3132; 31403-3122
M	ADD P/N: 31402-6118; 31402-6108
L	1. REDRAW SALES DRAWING 2. UPDATE TERMINAL INFORMATION FOR 31404 SERIES 3. ADD P/N: 31403-6212; 31403-6202
REV	REV DESCRIPTION

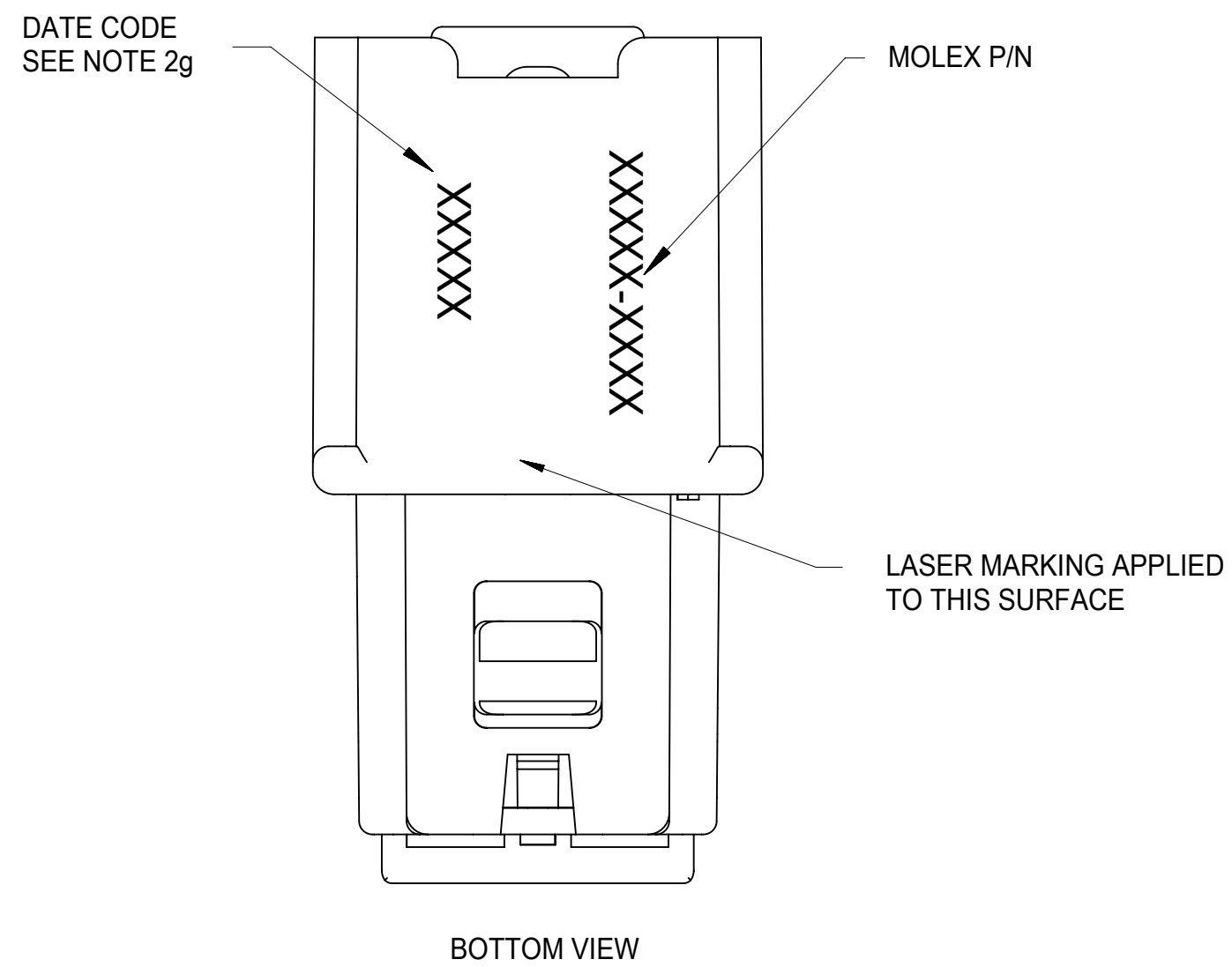
SYMBOLS		THIS DRAWING CONTAINS INFORMATION THAT IS PROPRIETARY TO MOLEX ELECTRONIC TECHNOLOGIES, LLC AND SHOULD NOT BE USED WITHOUT WRITTEN PERMISSION	
	= 0	DIMENSION UNITS	SCALE
	= 0	mm	1:1
	= 0	GENERAL TOLERANCES (UNLESS SPECIFIED)	CURRENT REV DESC:
	= 0	ANGULAR TOL ± 3.0°	EC NO: 608911
	= 0	4 PLACES ±	DRWN: PZHANG71 2018/10/09
	= 0	3 PLACES ±	CHK'D: GLI04 2018/12/11
	= 0	2 PLACES ± 0.13	APPR: JDENG02 2018/12/12
	= 0	1 PLACE ± 0.3	INITIAL REVISION:
	= 0	0 PLACES ±	DRWN: RCARLSON 2004/03/01
	= 0	DRAFT WHERE APPLICABLE MUST REMAIN WITHIN DIMENSIONS	APPR: PBERG 2004/09/30
		THIRD ANGLE PROJECTION	DRAWING SERIES
			D-SIZE 31402
DOCUMENT STATUS		P1	RELEASE DATE
P1		2018/12/12	09:57:36
molex		0.64 USCAR CONNECTOR SEALED SINGLE ROW ASSEMBLY	
PRODUCT CUSTOMER DRAWING		DOCUMENT NUMBER	
SD-31402-211		DOC TYPE	DOC PART
PSD		001	T7
GENERAL MARKET		SHEET NUMBER	
1 OF 9			



**SECTION A-A**  
TPA SHOWN IN AS-SHIPPED  
PRE-LOCKED POSITION  
SEE NOTE 1c

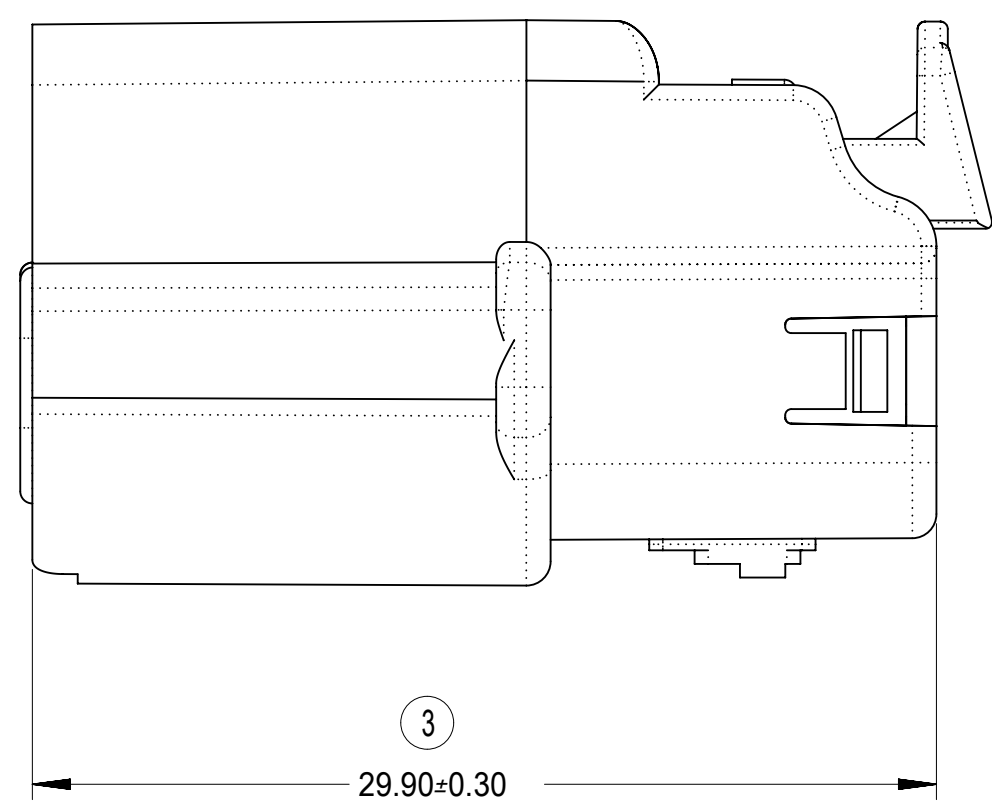
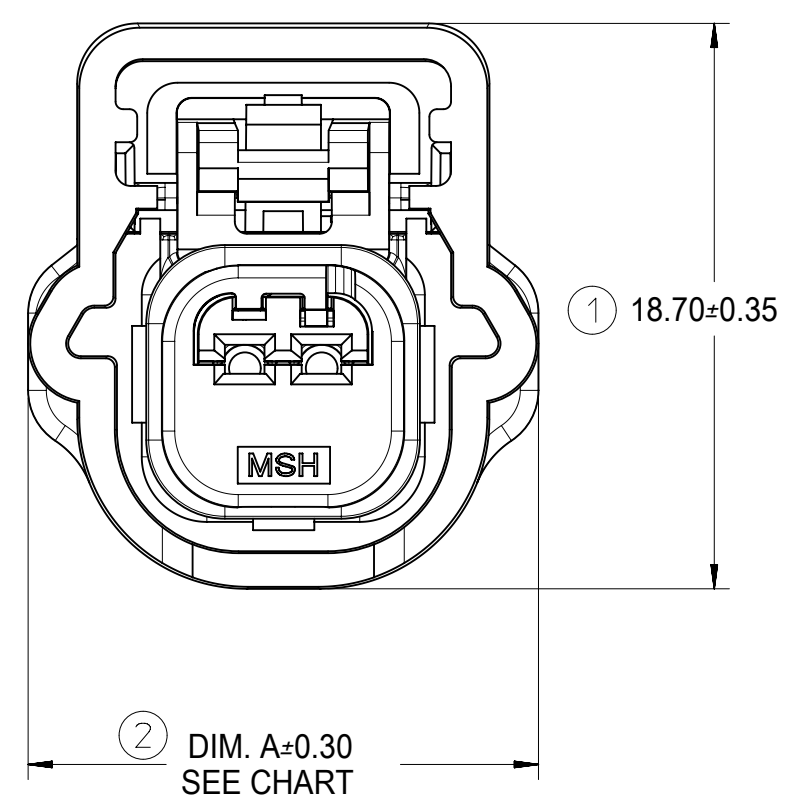
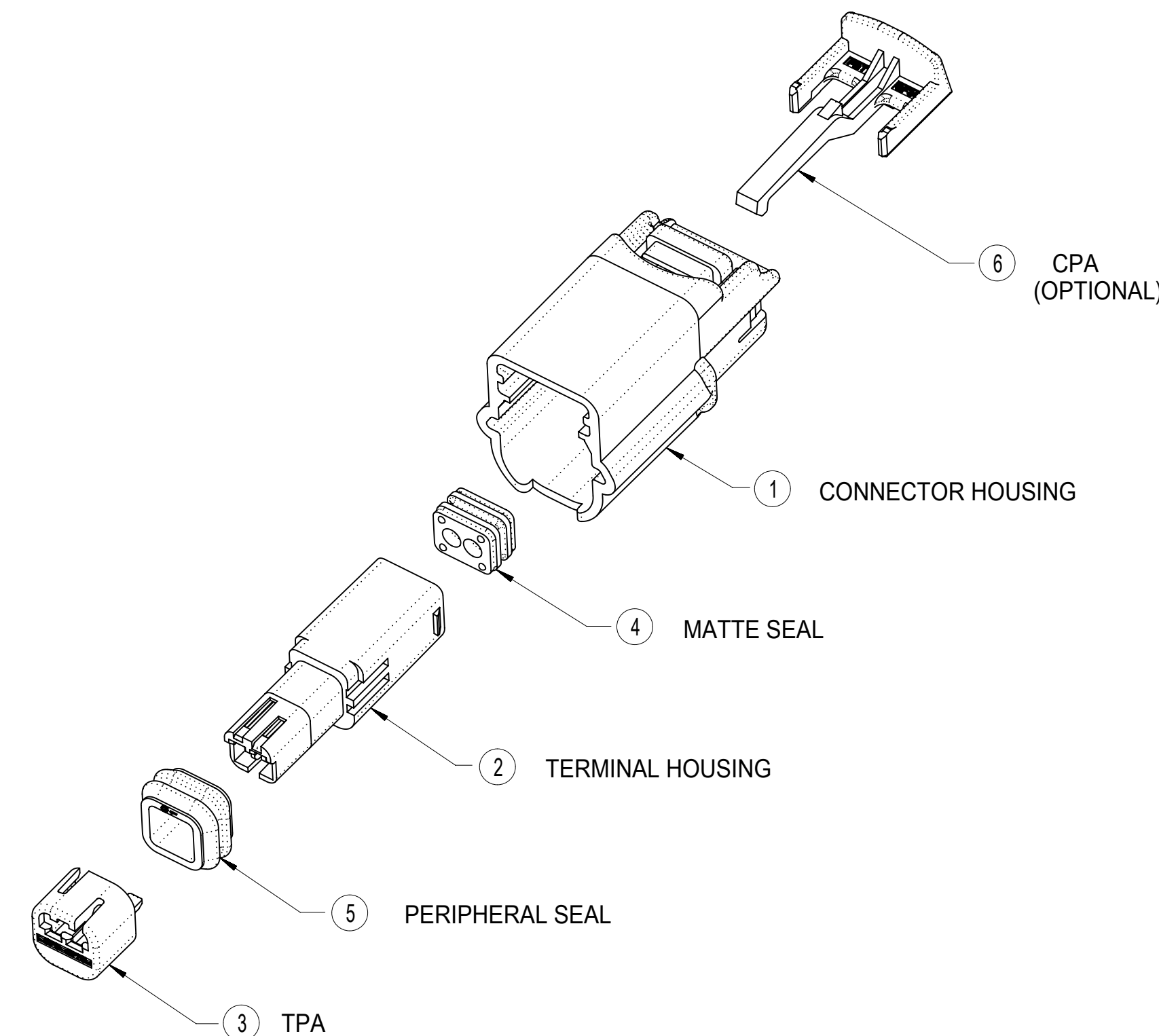


**SECTION A-A**  
TPA SHOWN IN FINAL  
LOCKED POSITION

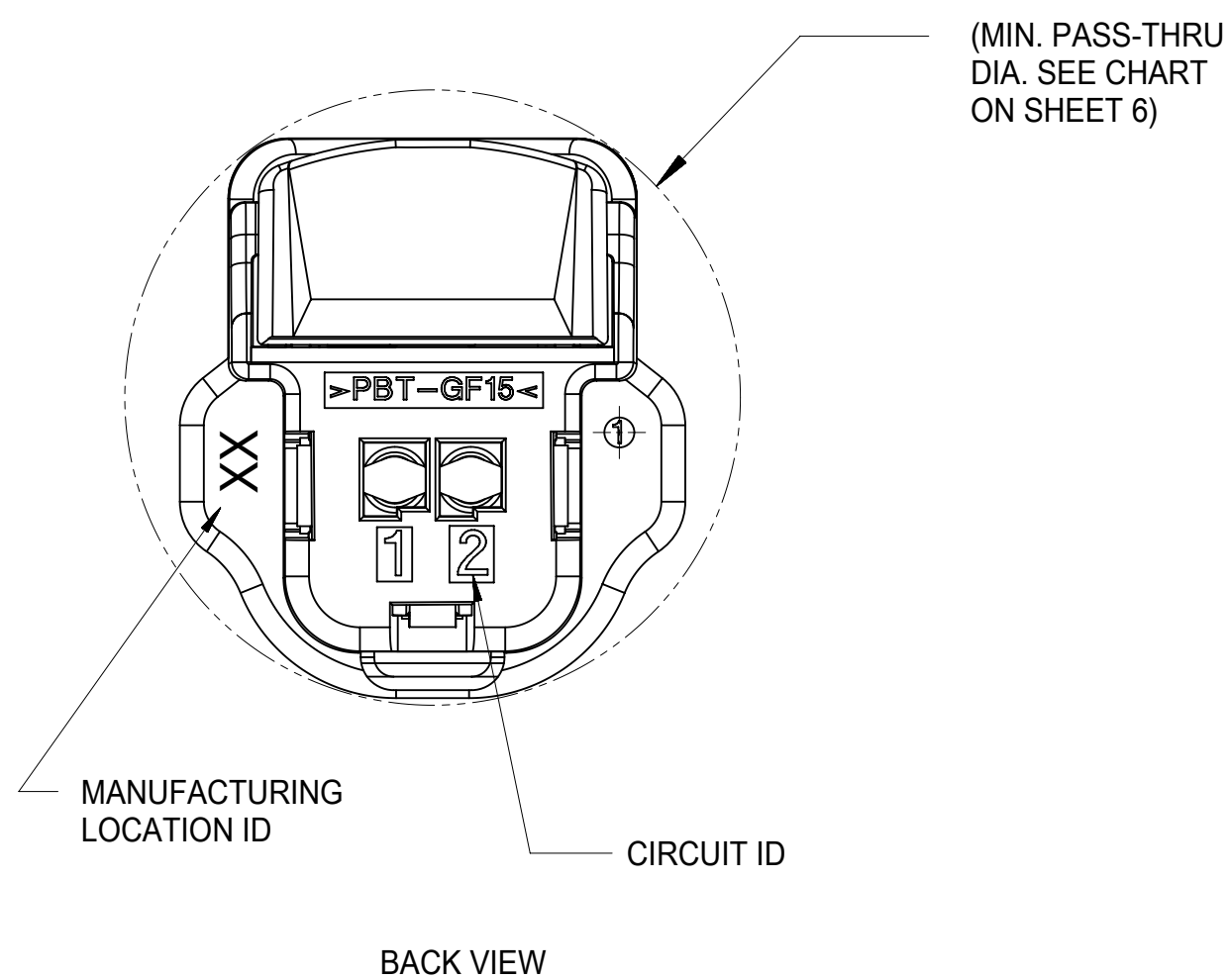


BOTTOM VIEW

# CONNECTOR ASSEMBLY WITHOUT CLIPSLOT



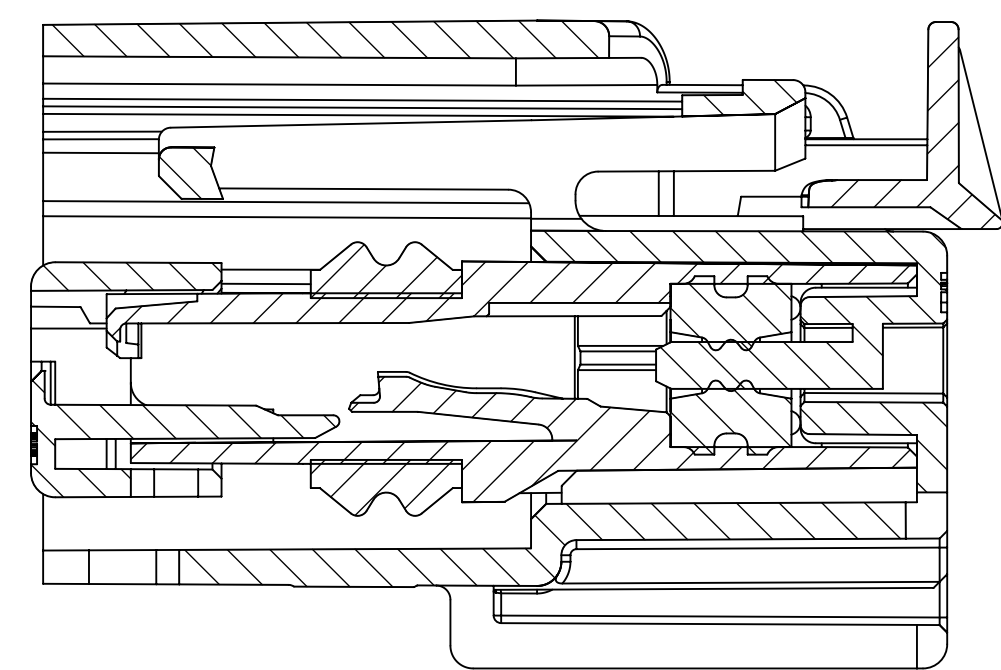
RIGHT SIDE VIEW



BACK VIEW

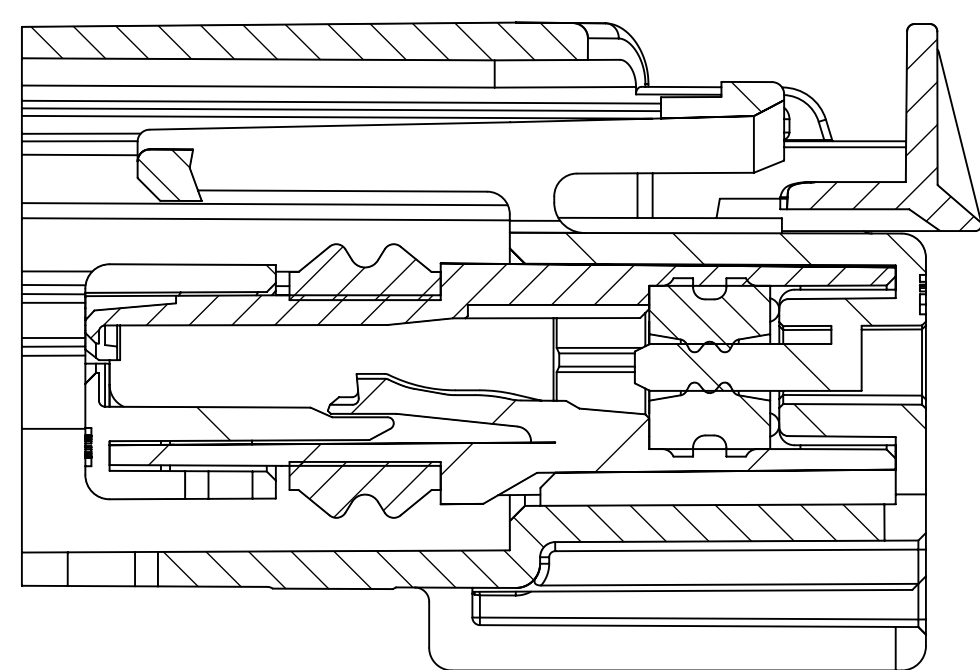
ITEM	DESCRIPTION	COLOR	MATERIAL
1	CONNECTOR HOUSING	SEE CHART	PBT GF15
2	TERMINAL HOUSING	BLACK	SPS/PA66 GF30
3	TPA	NATURAL	SPS/PA66 GF20
4	MATTE SEAL	SEE CHART	SILICONE RUBBER
5	PERIPHERAL SEAL	SEE CHART	SILICONE RUBBER
6	CPA - OPTIONAL	RED	PBT GF30

SYMBOLS	THIS DRAWING CONTAINS INFORMATION THAT IS PROPRIETARY TO MOLEX ELECTRONIC TECHNOLOGIES, LLC AND SHOULD NOT BE USED WITHOUT WRITTEN PERMISSION		
	DIMENSION UNITS	SCALE	CURRENT REV DESC:
▽ = 0	mm	1:1	<b>molex</b>  0.64 USCAR CONNECTOR SEALED SINGLE ROW ASSEMBLY  PRODUCT CUSTOMER DRAWING
▽ = 0	GENERAL TOLERANCES (UNLESS SPECIFIED)		
▽ = 0	ANGULAR TOL ± 3.0°		
▽ = 0	4 PLACES	±	
▽ = 0	3 PLACES	±	
▽ = 0	2 PLACES	± 0.13	EC NO: 608911 DRWN: PZHANG71 2018/10/09 CHK'D: GLI04 2018/12/11 APPR: JDENG02 2018/12/12
▽ = 0	1 PLACE	± 0.3	INITIAL REVISION: DRWN: RCARLSON 2004/03/01 APPR: PBERG 2004/09/30
▽ = 0	0 PLACES	±	DOCUMENT NUMBER: <b>SD-31402-211</b> DOC TYPE: PSD DOC PART: 001 REVISION: T7
□ = 0	DRAFT WHERE APPLICABLE	THIRD ANGLE PROJECTION	MATERIAL NUMBER: 31402 CUSTOMER: GENERAL MARKET SHEET NUMBER: 2 OF 9
▽ = 0	MUST REMAIN WITHIN DIMENSIONS	DRAWING: D-SIZE SERIES: 31402	



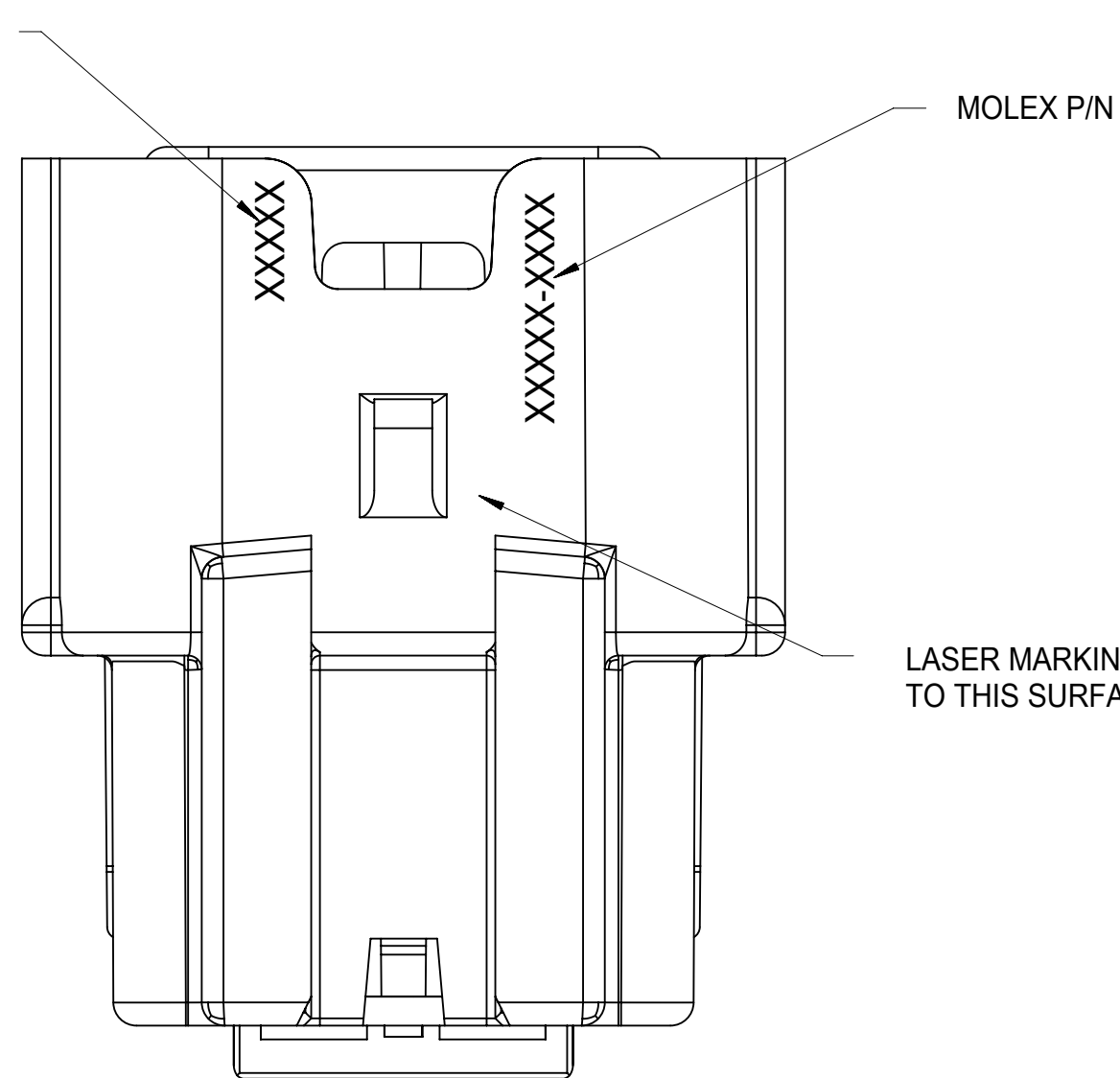
**SECTION C-C**

TPA SHOWN IN AS-SHIPPED  
PRE-LOCKED POSITION  
SEE NOTE 1c

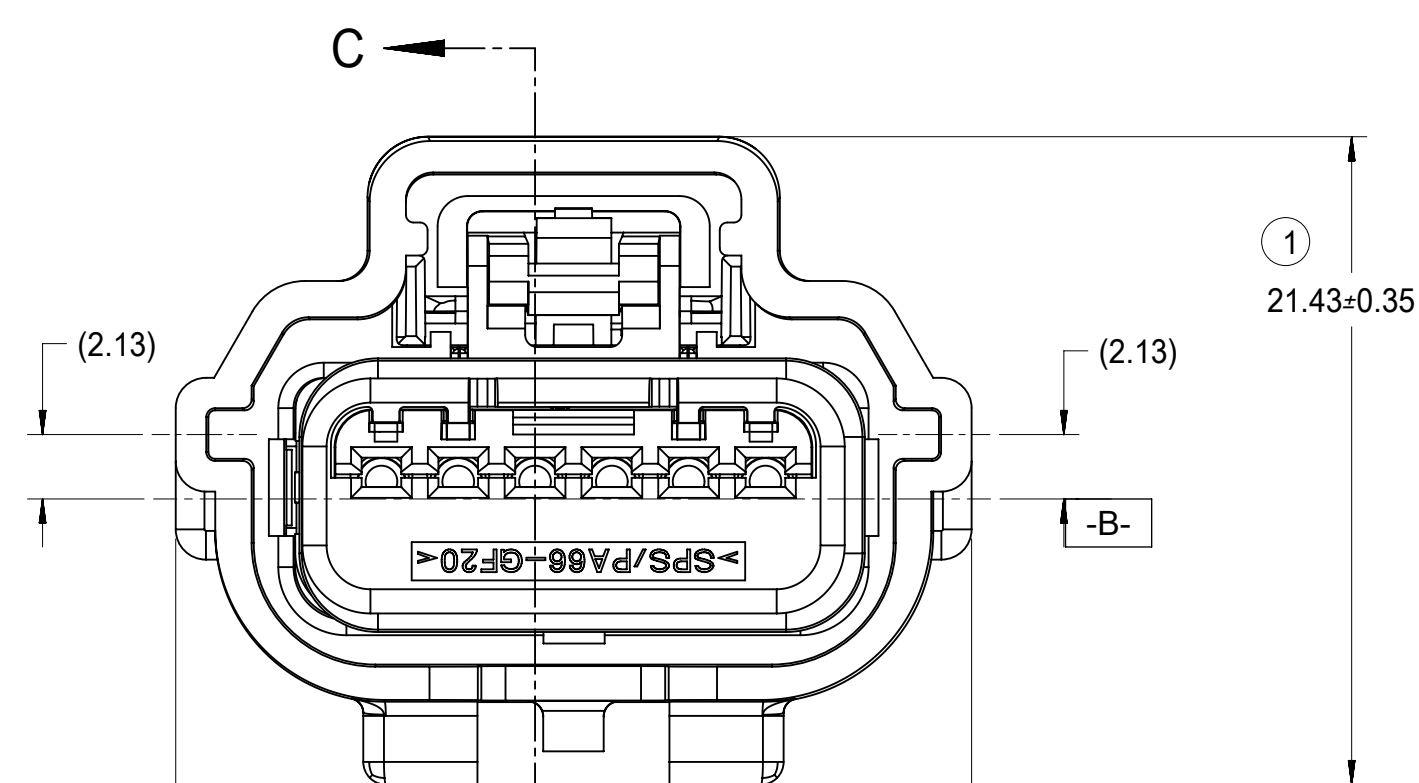
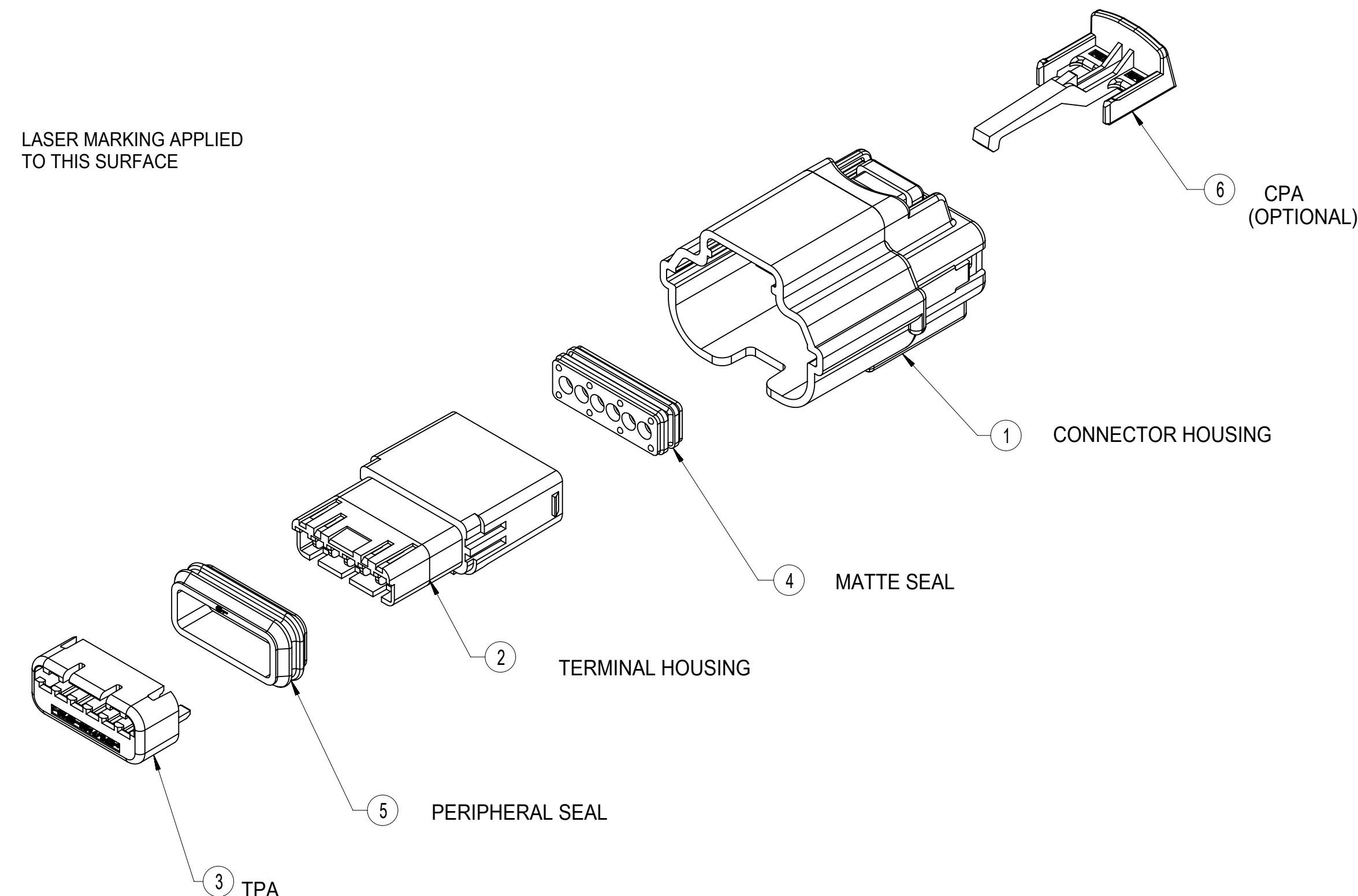


**SECTION C-C**

TPA SHOWN IN FINAL  
LOCKED POSITION



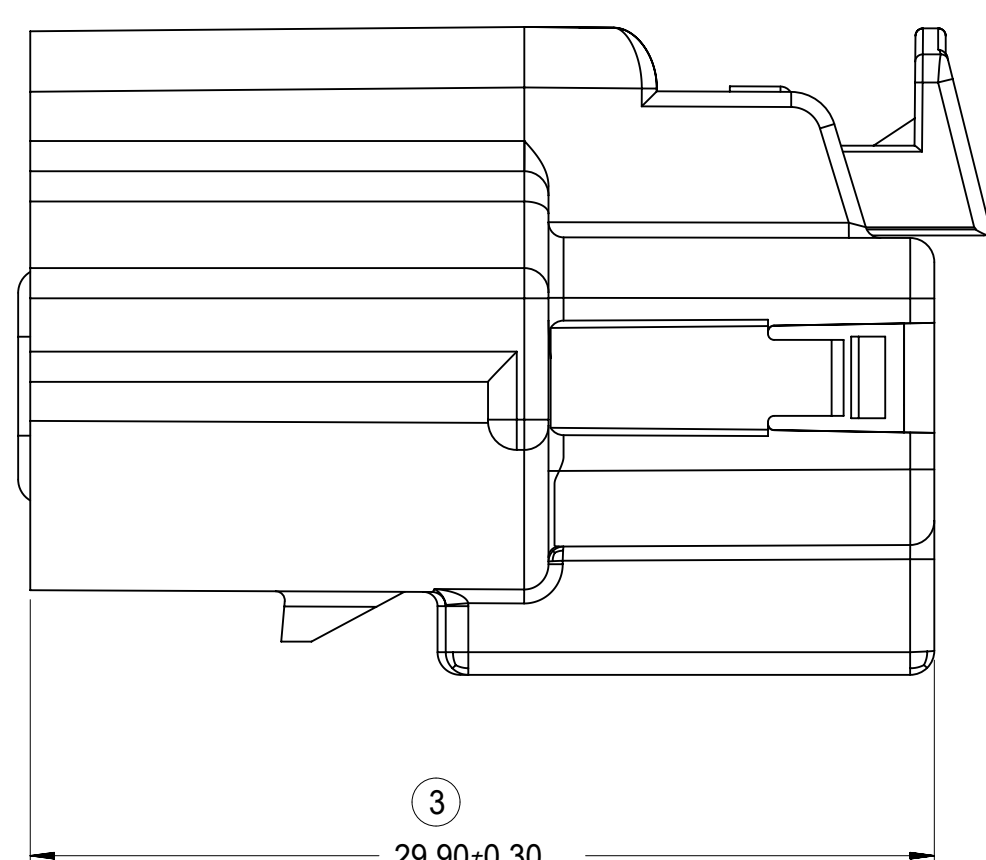
**BOTTOM VIEW**



DIM A=0.30  
SEE CHART

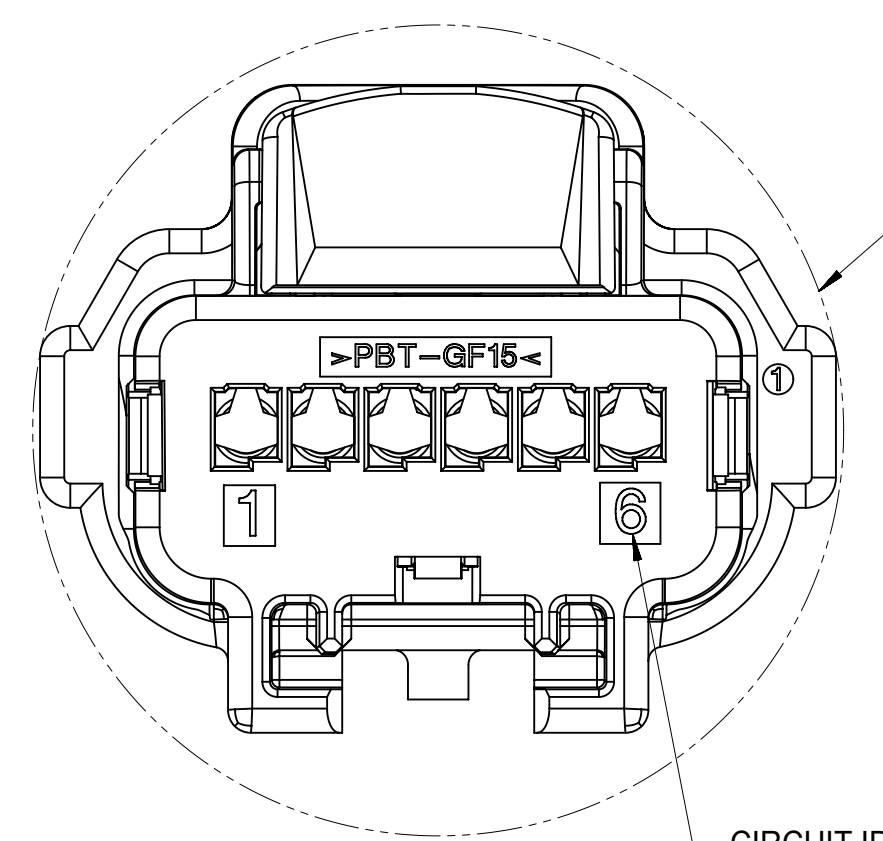
**FRONT VIEW**

**POLARIZATION A**



(3) 29.90-0.30

**RIGHT SIDE VIEW**

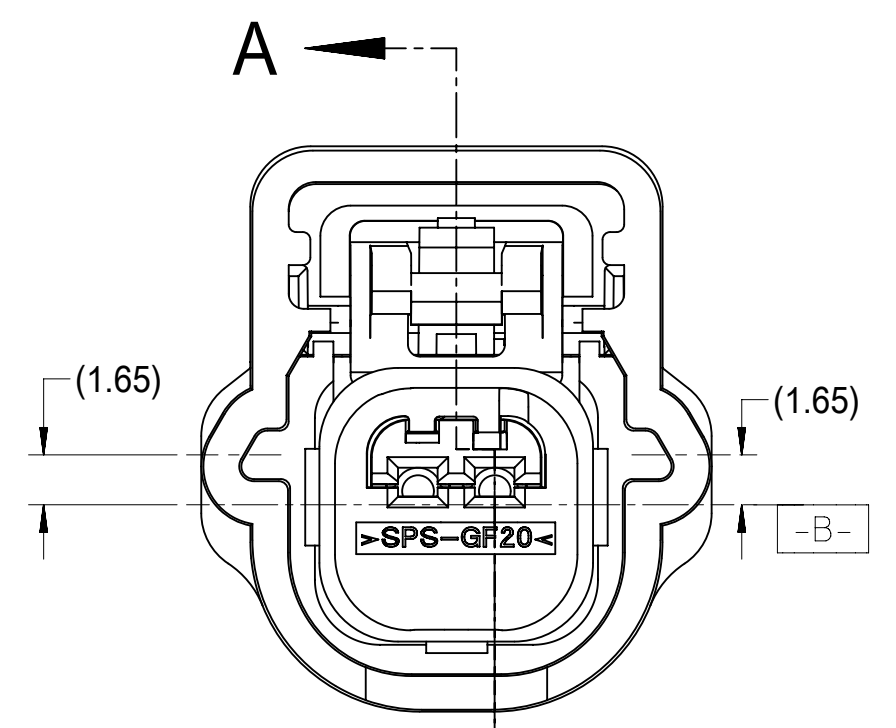


**BACK VIEW**

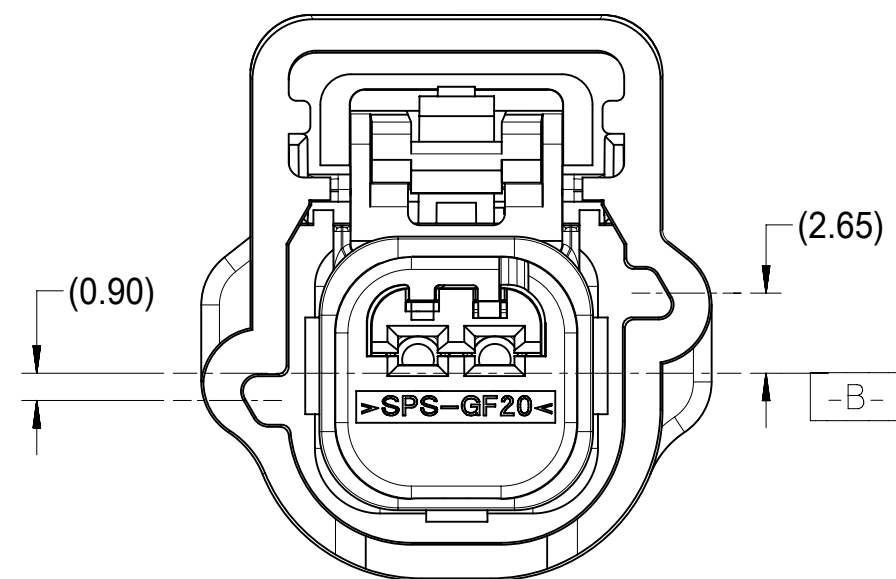
ITEM	DESCRIPTION	COLOR	MATERIAL
1	CONNECTOR HOUSING	SEE CHART	PBT GF15
2	TERMINAL HOUSING	BLACK	SPS/PA66 GF30
3	TPA	NATURAL	SPS/PA66 GF20
4	MATTE SEAL	SEE CHART	SILICONE RUBBER
5	PERIPHERAL SEAL	SEE CHART	SILICONE RUBBER
6	CPA - OPTIONAL	RED	PBT GF30

SYMBOLS		THIS DRAWING CONTAINS INFORMATION THAT IS PROPRIETARY TO MOLEX ELECTRONIC TECHNOLOGIES, LLC AND SHOULD NOT BE USED WITHOUT WRITTEN PERMISSION		CURRENT REV DESC:		<b>molex</b>	
DIMENSION UNITS	SCALE						
$\nabla = 0$	mm	1:1					
$\nabla = 0$	GENERAL TOLERANCES (UNLESS SPECIFIED)		EC NO: 608911		0.64 USCAR CONNECTOR SEALED SINGLE ROW ASSEMBLY		
$\nabla = 0$	ANGULAR TOL $\pm 3.0^\circ$		DRWN: PZHANG71 2018/10/09				
$\nabla = 0$	4 PLACES $\pm$		CHK'D: GLI04 2018/12/11		PRODUCT CUSTOMER DRAWING		
$\nabla = 0$	3 PLACES $\pm$		APPR: JDENG02 2018/12/12				
$\nabla = 0$	2 PLACES $\pm 0.13$		INITIAL REVISION:		DOCUMENT NUMBER		
$\nabla = 0$	1 PLACE $\pm 0.3$		DRWN: RCARLSON 2004/03/01				SD-31402-211
$\nabla = 0$	0 PLACES $\pm$		APPR: PBERG 2004/09/30		DOC TYPE		
$\square = 0$	DRAFT WHERE APPLICABLE MUST REMAIN WITHIN DIMENSIONS		THIRD ANGLE PROJECTION				DOC PART
$\nabla = 0$			DRAWING		REVISION		
		D-SIZE		SERIES			PSD 001 T7
		31402		MATERIAL NUMBER		GENERAL MARKET	
				CUSTOMER			
						3 OF 9	

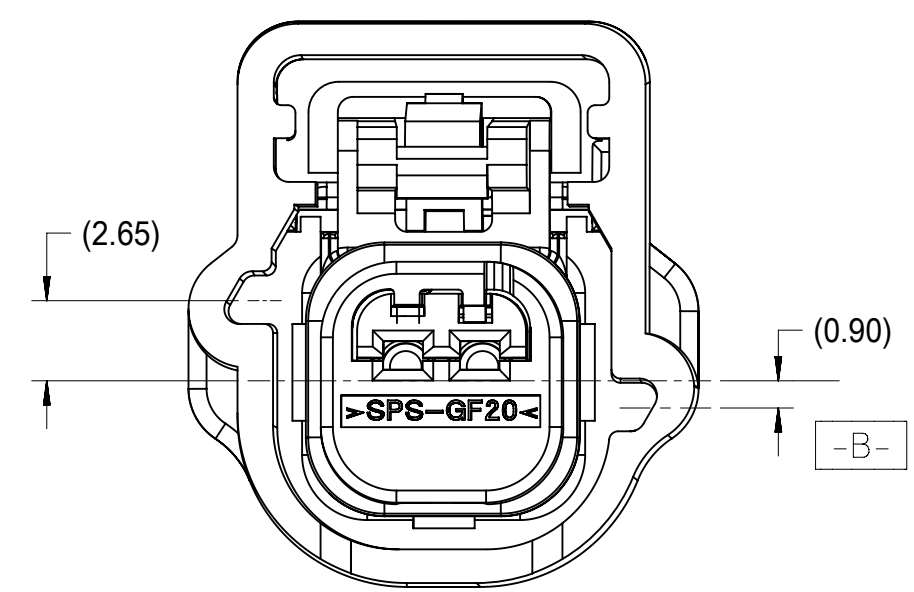
1X2



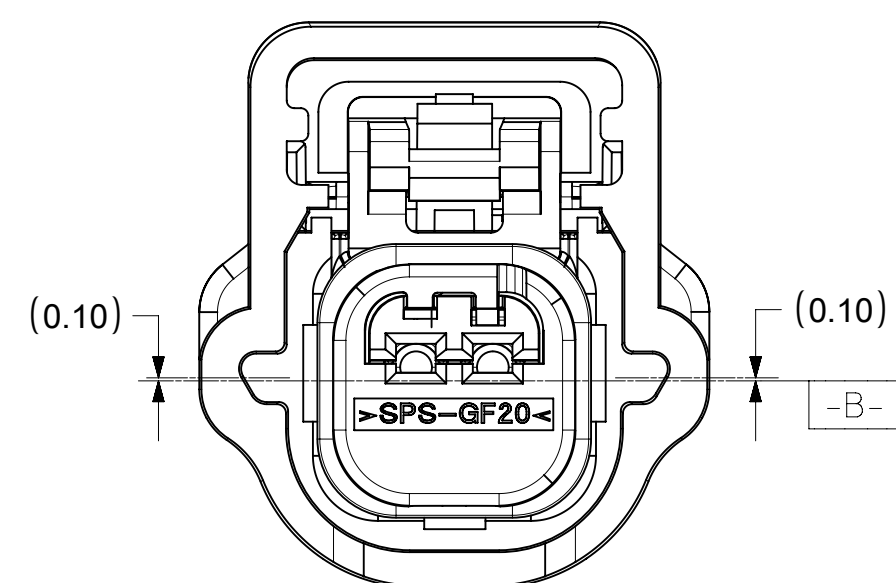
FRONT VIEW  
POLARIZATION A



POLARIZATION B

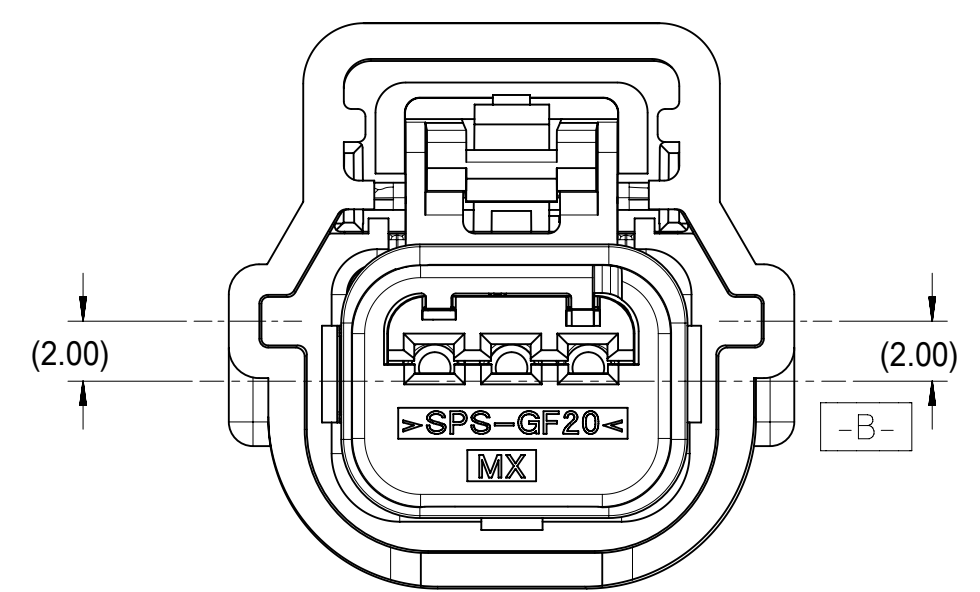


POLARIZATION C

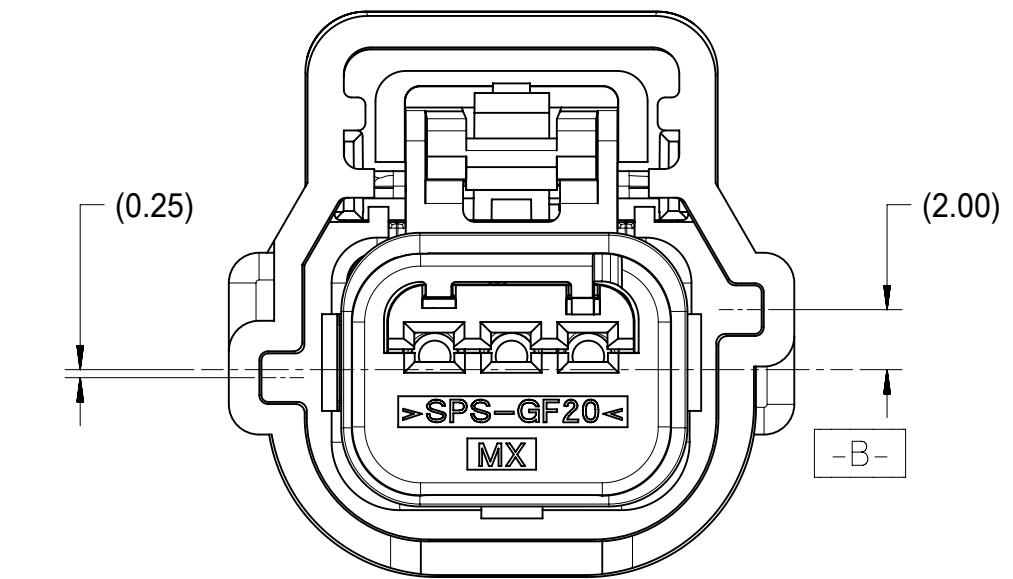


POLARIZATION D

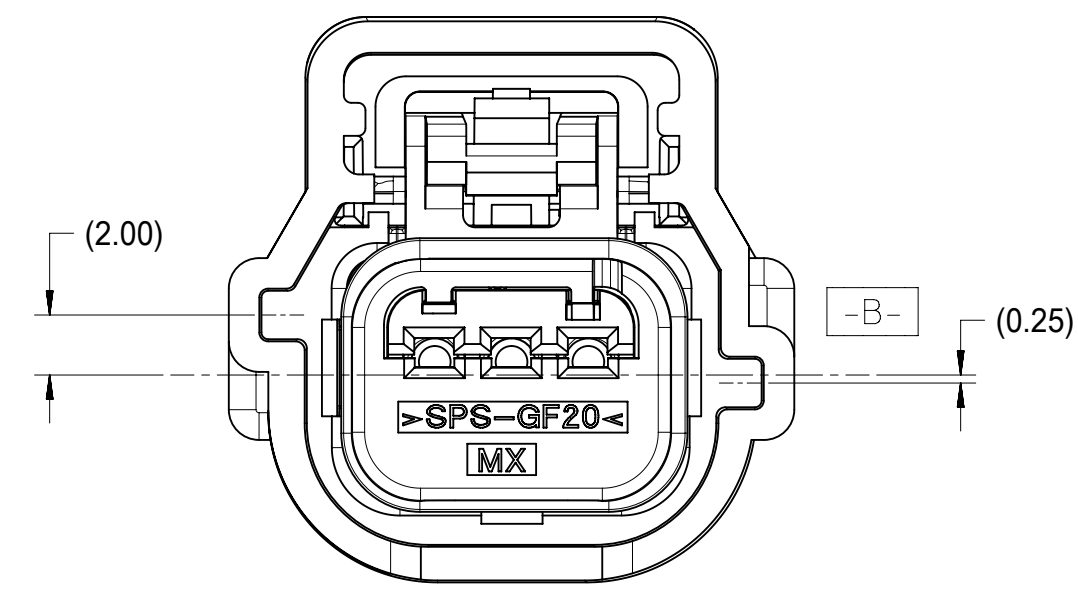
1X3



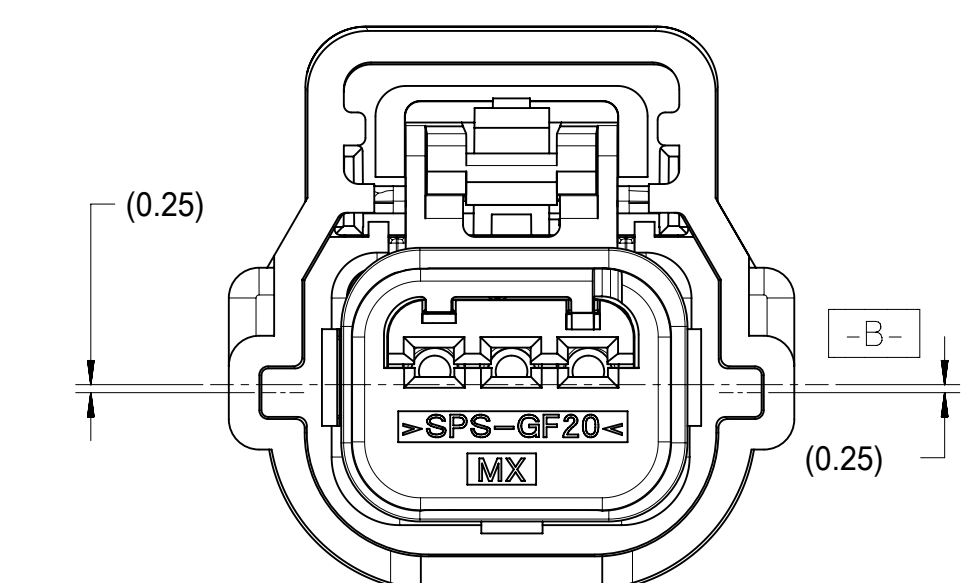
POLARIZATION A



POLARIZATION B

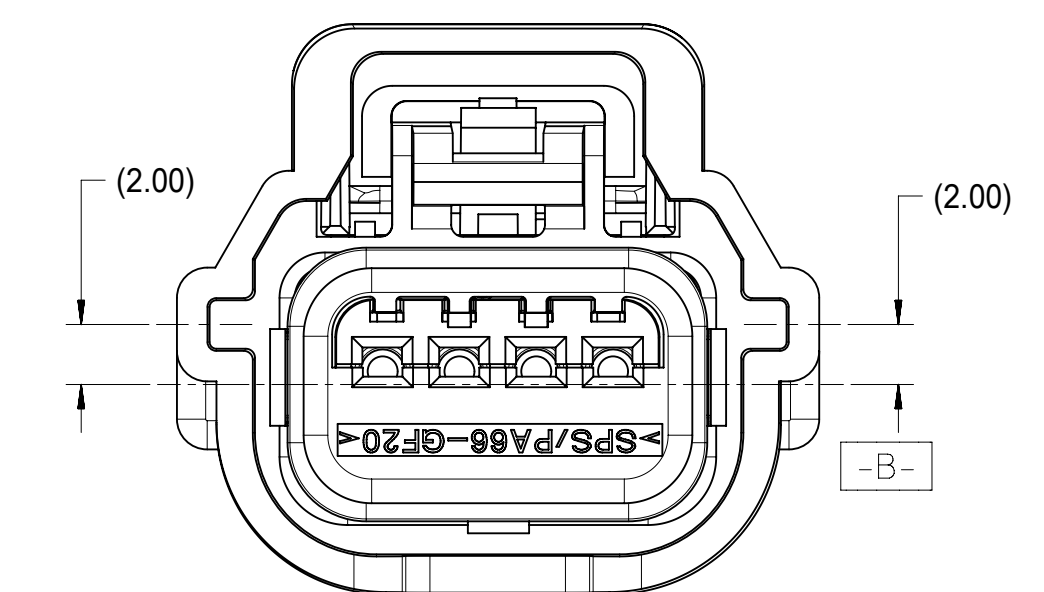


POLARIZATION C



POLARIZATION D

1X4



POLARIZATION A

# KEY CONFIGURATIONS

SYMBOLS	THIS DRAWING CONTAINS INFORMATION THAT IS PROPRIETARY TO MOLEX ELECTRONIC TECHNOLOGIES, LLC AND SHOULD NOT BE USED WITHOUT WRITTEN PERMISSION		
	DIMENSION UNITS	SCALE	CURRENT REV DESC:
▽ = 0	mm	1:1	EC NO: 608911 DRWN: PZHANG71 2018/10/09 CHK'D: GLI04 2018/12/11 APPR: JDENG02 2018/12/12 INITIAL REVISION: DRWN: RCARLSON 2004/03/01 APPR: PBERG 2004/09/30
▽ = 0	GENERAL TOLERANCES (UNLESS SPECIFIED)		
▽ = 0	ANGULAR TOL ± 3.0°		
▽ = 0	4 PLACES	±	
▽ = 0	3 PLACES	±	
▽ = 0	2 PLACES	± 0.13	
▽ = 0	1 PLACE	± 0.3	
▽ = 0	0 PLACES	±	
■ = 0	DRAFT WHERE APPLICABLE MUST REMAIN WITHIN DIMENSIONS		THIRD ANGLE PROJECTION
▽ = 0			DRAWING: D-SIZE SERIES: 31402
DOCUMENT STATUS		P1	RELEASE DATE
2018/12/12		09:57:36	
DOCUMENT NUMBER		DOC TYPE	DOC PART
SD-31402-211		PSD	001
REVISION		T7	
MATERIAL NUMBER		CUSTOMER	
		GENERAL MARKET	
SHEET NUMBER		4 OF 9	

# molex

0.64 USCAR CONNECTOR  
SEALED SINGLE ROW ASSEMBLY

PRODUCT CUSTOMER DRAWING

DOCUMENT NUMBER	DOC TYPE	DOC PART	REVISION
SD-31402-211	PSD	001	T7

MATERIAL NUMBER	CUSTOMER	SHEET NUMBER
	GENERAL MARKET	4 OF 9



PART NUMBER WITHOUT CPA	PART NUMBER WITH CPA	CLIP/SLOT OPTION	ROW/CIRCUITS	KEY*	MATTE SEAL COLOR	PERIMETER SEAL COLOR	CONNECTOR COLOR	WIDTH DIM (A)	MIN. PASS THRU DIA.	FEMALE TERMINAL SUPPLIER	USCAR FOOTPRINT DRAWING NO.	STATUS							
31402-2100	31402-2110	NO	1 X 2	A	ROYAL BLUE	BLUE	BLACK	16.88	(20.80)	TYCO OR MOLEX GET 0.64	064-S-002-1-Z02	SALEABLE							
31402-2120	31402-2130			A			GRAY					TOOLED , BUT NOT VALIDATED (T4)							
31402-2200	31402-2210			B			GRAY					SALEABLE							
31402-2300	31402-2310			C			BROWN					TOOLED, COLOR UNAVAILABLE							
31402-2400	31402-2410			D			GREEN					TOOLED, COLOR UNAVAILABLE							
31402-2500	31402-2510			B			BLACK					SALEABLE							
31402-2600	31402-2610			C			BLACK					SALEABLE							
31402-2700	31402-2710			D			BLACK					SALEABLE							
31403-2000	31403-2010			D			DK. GRAY					SALEABLE (L)							
31403-2100	31403-2110			A			BLACK					SALEABLE							
31403-2200	31403-2210			B			GRAY					SALEABLE							
31403-2300	31403-2310			C			BROWN					TOOLED, COLOR UNAVAILABLE							
31403-2400	31403-2410			D			GREEN					TOOLED, COLOR UNAVAILABLE							
31403-2500	31403-2510			B			BLACK					SALEABLE (L)							
31403-2600	31403-2610			C			BLACK					SALEABLE							
31403-2700	31403-2710			D			BLACK					SALEABLE							
31403-2800	31403-2810			C			NATURAL			SALEABLE (L)									
31403-2900	31403-2910			D			GRAY			SALEABLE									
31404-2100	31404-2110			A			BLACK			NOT TOOLED									
31404-2200	31404-2210			B			GRAY			NOT TOOLED									
31404-2300	31404-2310			C			BROWN			NOT TOOLED									
31404-2400	31404-2410			D			GREEN			NOT TOOLED									
31404-2500	31404-2510			B			BLACK			NOT TOOLED									
31404-2600	31404-2610			C			BLACK			NOT TOOLED									
31404-2700	31404-2710			D			BLACK			NOT TOOLED									
31402-3100	31402-3110			NO			1 X 3			A		LIGHT BLUE	RUST RED	BLACK	18.70	(22.00)	TYCO OR MOLEX GET 0.64	064-S-003-1-Z01	SALEABLE
31402-3200	31402-3210									B				GRAY					SALEABLE
31402-3300	31402-3310									C				BROWN					TOOLED, COLOR UNAVAILABLE
31402-3400	31402-3410									D				GREEN					TOOLED, COLOR UNAVAILABLE
31402-3500	31402-3510									B				BLACK					SALEABLE
31402-3600	31402-3610									C				BLACK					SALEABLE
31402-3700	31402-3710									D				BLACK					SALEABLE
31403-3000	31403-3010	D	DK. GRAY		SALEABLE (L)														
31403-3100	31403-3110	A	BLACK		SALEABLE														
31403-3200	31403-3210	B	GRAY		SALEABLE														
31403-3300	31403-3310	C	BROWN		TOOLED, COLOR UNAVAILABLE														
31403-3400	31403-3410	D	GREEN		TOOLED, COLOR UNAVAILABLE														
31403-3500	31403-3510	B	BLACK		SALEABLE														
31403-3600	31403-3610	C	BLACK		SALEABLE														
31403-3700	31403-3710	D	BLACK		SALEABLE														
31403-3800	31403-3810	C	NATURAL		SALEABLE (L)														
31404-3100	31404-3110	A	BLACK		SALEABLE														
31404-3200	31404-3210	B	GRAY		SALEABLE														
31404-3300	31404-3310	C	BROWN		TOOLED, COLOR UNAVAILABLE														
31404-3400	31404-3410	D	GREEN		TOOLED, COLOR UNAVAILABLE														
31404-3500	31404-3510	B	BLACK		SALEABLE														
31404-3600	31404-3610	C	BLACK		SALEABLE														
31404-3700	31404-3710	D	BLACK		SALEABLE														
31402-4100	31402-4110	NO	1 X 4		A	TBD		TBD	BLACK	21.25	(22.34)			TYCO OR MOLEX GET 0.64			064-S-004-1-Z02		NOT TOOLED
31402-4200	31402-4210				B				GRAY										NOT TOOLED
31402-4300	31402-4310				C				BROWN										NOT TOOLED
31402-4400	31402-4410				D				GREEN										NOT TOOLED
31402-4500	31402-4510				B				BLACK										NOT TOOLED
31402-4600	31402-4610				C				BLACK										NOT TOOLED
31402-4700	31402-4710				D				BLACK										NOT TOOLED
31403-4100	31403-4110				A				BLACK										NOT TOOLED
31403-4200	31403-4210				B				GRAY										NOT TOOLED
31403-4300	31403-4310			C	BROWN		NOT TOOLED												
31403-4400	31403-4410			D	GREEN		NOT TOOLED												
31403-4500	31403-4510			B	BLACK		NOT TOOLED												
31403-4600	31403-4610			C	BLACK		NOT TOOLED												
31403-4700	31403-4710			D	BLACK		NOT TOOLED												
31404-4100	31404-4110			A	BLACK		NOT TOOLED												
31404-4200	31404-4210			B	GRAY		NOT TOOLED												
31404-4300	31404-4310			C	BROWN		NOT TOOLED												
31404-4400	31404-4410			D	GREEN		NOT TOOLED												
31404-4500	31404-4510			B	BLACK		NOT TOOLED												
31404-4600	31404-4610			C	BLACK		NOT TOOLED												
31404-4700	31404-4710			D	BLACK		NOT TOOLED												
31404-4800	31404-4810			A	BLACK		NOT TOOLED												
31404-4900	31404-4910			B	GRAY		NOT TOOLED												
31404-5000	31404-5010			C	BROWN		NOT TOOLED												
31404-5100	31404-5110			D	GREEN		NOT TOOLED												
31404-5200	31404-5210			B	BLACK		NOT TOOLED												
31404-5300	31404-5310			C	BLACK		NOT TOOLED												
31404-5400	31404-5410			D	BLACK		NOT TOOLED												

SYMBOLS	THIS DRAWING CONTAINS INFORMATION THAT IS PROPRIETARY TO MOLEX ELECTRONIC TECHNOLOGIES, LLC AND SHOULD NOT BE USED WITHOUT WRITTEN PERMISSION		
	DIMENSION UNITS	SCALE	CURRENT REV DESC:
▽ = 0	mm	1:1	<b>molex</b> 0.64 USCAR CONNECTOR SEALED SINGLE ROW ASSEMBLY
▽ = 0	GENERAL TOLERANCES (UNLESS SPECIFIED)		
▽ = 0	ANGULAR TOL	± 3.0°	EC NO: 608911 DRWN: PZHANG71 2018/10/09 CHK'D: GLI04 2018/12/11 APPR: JDENG02 2018/12/12
▽ = 0	4 PLACES	±	
▽ = 0	3 PLACES	±	PRODUCT CUSTOMER DRAWING DOCUMENT NUMBER: SD-31402-211 DOC TYPE: PSD DOC PART: 001 REVISION: T7
▽ = 0	2 PLACES	± 0.13	
▽ = 0	1 PLACE	± 0.3	INITIAL REVISION: DRWN: RCARLSON 2004/03/01 2004/09/30 APPR: PBERG
▽ = 0	0 PLACES	±	
■ = 0	DRAFT WHERE APPLICABLE MUST REMAIN WITHIN DIMENSIONS	THIRD ANGLE PROJECTION	DRAWING: D-SIZE SERIES: 31402 MATERIAL NUMBER: GENERAL MARKET CUSTOMER: SHEET NUMBER: 6 OF 9
▽ = 0			

PART NUMBER WITHOUT CPA	PART NUMBER WITH CPA	CLIPSLOT OPTION	ROW/ CIRCUITS	KEY*	MATTE SEAL COLOR	PERIMETER SEAL COLOR	CONNECTOR COLOR	WIDTH DIM (A)	MIN. PASS THRU DIA.	FEMALE TERMINAL SUPPLIER	USCAR FOOTPRINT DRAWING NO.	STATUS							
31402-5100	31402-5110	NO	1 X 5	A	TBD	TBD	BLACK	23.80	(24.28)	TYCO OR MOLEX GET 0.64	064-S-005-1-Z02	NOT TOOLED							
31402-5200	31402-5210			B			GRAY					NOT TOOLED							
31402-5300	31402-5310			C			BROWN					NOT TOOLED							
31402-5400	31402-5410			D			GREEN					NOT TOOLED							
31402-5500	31402-5510			B			BLACK					NOT TOOLED							
31402-5600	31402-5610			C			BLACK					NOT TOOLED							
31402-5700	31402-5710			D			BLACK					NOT TOOLED							
31403-5100	31403-5110			A			BLACK					NOT TOOLED							
31403-5200	31403-5210			B			GRAY					NOT TOOLED							
31403-5300	31403-5310			C			BROWN					NOT TOOLED							
31403-5400	31403-5410			D			GREEN					NOT TOOLED							
31403-5500	31403-5510			B			BLACK					NOT TOOLED							
31403-5600	31403-5610			C			BLACK			NOT TOOLED									
31403-5700	31403-5710			D			BLACK			NOT TOOLED									
31404-5100	31404-5110			A			BLACK			NOT TOOLED									
31404-5200	31404-5210			B			GRAY			NOT TOOLED									
31404-5300	31404-5310			C			BROWN			NOT TOOLED									
31404-5400	31404-5410			D			GREEN			NOT TOOLED									
31404-5500	31404-5510			B			BLACK			NOT TOOLED									
31404-5600	31404-5610			C			BLACK			NOT TOOLED									
31404-5700	31404-5710			D			BLACK			NOT TOOLED									
31402-6100	31402-6110			NO			1 X 6			A		ROYAL BLUE	LIGHT BLUE	BLACK	26.33	(26.82)	TYCO OR MOLEX GET 0.64	064-S-006-1-Z02	SALEABLE
31402-6200	31402-6210									B				GRAY					SALEABLE
31402-6300	31402-6310									C				BROWN					TOOLED, COLOR UNAVAILABLE
31402-6400	31402-6410	D	GREEN		TOOLED, COLOR UNAVAILABLE														
31402-6500	31402-6510	B	BLACK		SALEABLE														
31402-6600	31402-6610	C	BLACK		SALEABLE														
31402-6700	31402-6710	D	BLACK		SALEABLE														
31403-6100	31403-6110	A	BLACK		SALEABLE														
31403-6200	31403-6210	B	GRAY		SALEABLE														
31403-6300	31403-6310	C	BROWN		TOOLED, COLOR UNAVAILABLE														
31403-6400	31403-6410	D	GREEN		TOOLED, COLOR UNAVAILABLE														
31403-6500	31403-6510	B	BLACK		SALEABLE														
31403-6600	31403-6610	C	BLACK		SALEABLE														
31403-6700	31403-6710	D	BLACK		SALEABLE														
31404-6100	31404-6110	A	BLACK		SALEABLE														
31404-6200	31404-6210	B	GRAY		SALEABLE														
31404-6300	31404-6310	C	BROWN		TOOLED, COLOR UNAVAILABLE														
31404-6400	31404-6410	D	GREEN		TOOLED, COLOR UNAVAILABLE														
31404-6500	31404-6510	B	BLACK		SALEABLE														
31404-6600	31404-6610	C	BLACK		SALEABLE														
31404-6700	31404-6710	D	BLACK		SALEABLE														
31404-6800	31404-6810	C	NATURAL		SALEABLE														

PART NUMBER WITHOUT CPA	PART NUMBER WITH CPA	CLIPSLOT OPTION	ROW/ CIRCUITS	KEY*	MATTE SEAL COLOR	PERIMETER SEAL COLOR	CONNECTOR COLOR	WIDTH DIM (A)	MIN. PASS THRU DIA.	FEMALE TERMINAL SUPPLIER	USCAR FOOTPRINT DRAWING NO.	STATUS							
31402-8100	31402-8110	NO	1 X 8	A	TBD	TBD	BLACK	31.25	(31.90)	TYCO OR MOLEX GET 0.64	064-S-008-1-Z02	NOT TOOLED							
31402-8200	31402-8210			B			GRAY					NOT TOOLED							
31402-8300	31402-8310			C			BROWN					NOT TOOLED							
31402-8400	31402-8410			D			GREEN					NOT TOOLED							
31402-8500	31402-8510			B			BLACK					NOT TOOLED							
31402-8600	31402-8610			C			BLACK					NOT TOOLED							
31402-8700	31402-8710			D			BLACK					NOT TOOLED							
31403-8100	31403-8110			A			BLACK					NOT TOOLED							
31403-8200	31403-8210			B			GRAY					NOT TOOLED							
31403-8300	31403-8310			C			BROWN					NOT TOOLED							
31403-8400	31403-8410			D			GREEN					NOT TOOLED							
31403-8500	31403-8510			B			BLACK					NOT TOOLED							
31403-8600	31403-8610			C			BLACK			NOT TOOLED									
31403-8700	31403-8710			D			BLACK			NOT TOOLED									
31404-8100	31404-8110			A			BLACK			NOT TOOLED									
31404-8200	31404-8210			B			LT. GRAY			NOT TOOLED									
31404-8300	31404-8310			C			DK. GRAY			NOT TOOLED									
31404-8400	31404-8410			D			TBD			NOT TOOLED									
																	REFER TO SD-31404-811		INFORMATION REFER TO SD-31404-811

<b>SYMBOLS</b> = 0 = 0 = 0 = 0 = 0 = 0 = 0 = 0 = 0 = 0	THIS DRAWING CONTAINS INFORMATION THAT IS PROPRIETARY TO MOLEX ELECTRONIC TECHNOLOGIES, LLC AND SHOULD NOT BE USED WITHOUT WRITTEN PERMISSION		CURRENT REV DESC:		 <b>0.64 USCAR CONNECTOR SEALED SINGLE ROW ASSEMBLY</b> PRODUCT CUSTOMER DRAWING DOCUMENT NUMBER: <b>SD-31402-211</b>   DOC TYPE: PSD   DOC PART: 001   REVISION: T7	
	DIMENSION UNITS: <b>mm</b>	SCALE: <b>1:1</b>	EC NO: 608911			
	GENERAL TOLERANCES (UNLESS SPECIFIED)		DRWN: PZHANG71 2018/10/09			
	ANGULAR TOL ± 3.0°		CHK'D: GLI04 2018/12/11			
	4 PLACES ±		APPR: JDENG02 2018/12/12			
	3 PLACES ±		INITIAL REVISION:			
	2 PLACES ± 0.13		DRWN: RCARLSON 2004/03/01			
	1 PLACE ± 0.3		2004/09/30			
	0 PLACES ±		APPR: PBERG			
	DRAFT WHERE APPLICABLE MUST REMAIN WITHIN DIMENSIONS		THIRD ANGLE PROJECTION	DRAWING: <b>D-SIZE</b>		SERIES: <b>31402</b>

ADDITIONAL CAVITY PLUG CONFIGURATIONS:

ROW/ CIRCUITS	FEMALE TERMINAL	MOLEX P/N WITH CPA	MOLEX P/N WITHOUT CPA	KEY OPTION	CLIPSLOT OPTION	COLOR	CIRCUIT NUMBER: "0" INDICATED PLUG LOCATION						TOTAL CIRCUITS PLUGGED	STATUS	
							1	2	3	4	5	6			
1X6	TYCO/MOLEX GET	31402-6110	31402-6100	A	NO	BLACK							0	SALEABLE	
		31402-6111	31402-6101	A	NO	BLACK	0	0	0	0	0	0	6	SALEABLE	
		31402-6112	31402-6102	A	NO	BLACK	0	0					2	SALEABLE	
		31402-6113	31402-6103	A	NO	BLACK		0					1	SALEABLE	
		31402-6114	31402-6104	A	NO	BLACK	0	0	0	0			4	SALEABLE	
		31402-6115	31402-6105	A	NO	BLACK			0		0	0	3	SALEABLE	
		31402-6118	31402-6108	A	NO	BLACK					0		1	SALEABLE	
		31402-6119	31402-6109	A	NO	BLACK			0				1	SALEABLE	
		31402-6131	31402-6121	A	NO	BLACK				0			1	SALEABLE	
		31402-6150	31402-6140	A	YES	BLACK							0	SALEABLE	
		31402-6211	31402-6201	B	NO	GRAY	0	0	0	0	0	0	6	SALEABLE	
		31402-6311	31402-6301	C	NO	BROWN	0	0	0	0	0	0	6	TOOLED, COLOR UNAVAILABLE	
		31402-6411	31402-6401	D	NO	GREEN	0	0	0	0	0	0	6	TOOLED, COLOR UNAVAILABLE	
		31402-6511	31402-6501	B	NO	BLACK	0	0	0	0	0	0	6	SALEABLE	
		31402-6611	31402-6601	C	NO	BLACK	0	0	0	0	0	0	6	SALEABLE	
	31402-6711	31402-6701	D	NO	BLACK	0	0	0	0	0	0	6	SALEABLE		
	MOLEX 0.64	31403-6110	31403-6100	A	NO	BLACK							0	SALEABLE	
		31403-6111	31403-6101	A	NO	BLACK	0	0	0	0	0	0	6	SALEABLE	
		31403-6112	31403-6102	A	NO	BLACK			0				1	SALEABLE	
		31403-6113	31403-6103	A	NO	BLACK	0	0	0		0		4	SALEABLE	
		31403-6114	31403-6104	A	NO	BLACK					0	0	2	SALEABLE	
		31403-6211	31403-6201	B	NO	GRAY	0	0	0	0	0	0	6	SALEABLE	
		31403-6212	31403-6202	B	NO	GRAY				0	0	0	3	SALEABLE	
		31403-6311	31403-6301	C	NO	BROWN	0	0	0	0	0	0	6	TOOLED, COLOR UNAVAILABLE	
		31403-6411	31403-6401	D	NO	GREEN	0	0	0	0	0	0	6	TOOLED, COLOR UNAVAILABLE	
		31403-6511	31403-6501	B	NO	BLACK	0	0	0	0	0	0	6	SALEABLE	
		31403-6611	31403-6601	C	NO	BLACK	0	0	0	0	0	0	6	SALEABLE	
		31403-6711	31403-6701	D	NO	BLACK	0	0	0	0	0	0	6	SALEABLE	
		YAZAKI KAIZEN 0.64 TE GEN Y 0.64 JST AIT 0.64	31404-6110	31404-6100	A	NO	BLACK							0	SALEABLE
			31404-6111	31404-6101	A	NO	BLACK	0	0	0	0	0	0	6	SALEABLE
			31404-6112	31404-6102	A	NO	BLACK	0		0				2	SALEABLE
	31404-6113		31404-6103	A	NO	BLACK	0					0	2	SALEABLE	
	31404-6116		31404-6106	A	NO	BLACK						0	1	SALEABLE	
31404-6117	31404-6107		A	NO	BLACK	0		0			0	3	SALEABLE		
31404-6118	31404-6108		A	NO	BLACK	0						1	SALEABLE		
31404-6119	31404-6109		A	NO	BLACK			0		0	0	3	SALEABLE		
31404-6132	31404-6122		A	NO	BLACK			0				1	SALEABLE		
31404-6211	31404-6201		B	NO	GRAY	0	0	0	0	0	0	6	SALEABLE		
31404-6213	31404-6203		B	NO	GRAY	0					0	2	SALEABLE		
31404-6214	31404-6204		B	NO	GRAY						0	1	SALEABLE		
31404-6812	31404-6802		C	NO	NATURAL				0	0	0	3	SALEABLE		
1X3	TYCO/MOLEX GET	31402-3113	31402-3103	A	NO	BLACK			0				1	SALEABLE	
		31402-3114	31402-3104	A	NO	BLACK	0						1	SALEABLE	
	MOLEX 0.64	31403-3132	31403-3122	A	NO	GRAY		0					1	SALEABLE	
	YAZAKI KAIZEN 0.64, TE GEN Y 0.64, JST AIT 0.64	31404-3112	31404-3102	A	NO	BLACK		0					1	SALEABLE	

(S)

(T4)

(T4)

(T4)

(T4)

(T4)

(T4)

(T4)

(T4)

(T4)

(T4)

(T4)



(T4)

(T4)

(T4)

(P)

(R)

SYMBOLS	THIS DRAWING CONTAINS INFORMATION THAT IS PROPRIETARY TO MOLEX ELECTRONIC TECHNOLOGIES, LLC AND SHOULD NOT BE USED WITHOUT WRITTEN PERMISSION		CURRENT REV DESC:		
	DIMENSION UNITS	SCALE			
▽ = 0	mm	1:1			0.64 USCAR CONNECTOR SEALED SINGLE ROW ASSEMBLY
▽ = 0	GENERAL TOLERANCES (UNLESS SPECIFIED)				
▽ = 0	ANGULAR TOL ± 3.0°		EC NO: 608911		PRODUCT CUSTOMER DRAWING
▽ = 0	4 PLACES ±		DRWN: PZHANG71 2018/10/09		
▽ = 0	3 PLACES ±		CHK'D: GLI04 2018/12/11		
▽ = 0	2 PLACES ± 0.13		APPR: JDENG02 2018/12/12		
▽ = 0	1 PLACE ± 0.3		INITIAL REVISION:		
▽ = 0	0 PLACES ±		DRWN: RCARLSON 2004/03/01		
▽ = 0	DRAFT WHERE APPLICABLE MUST REMAIN WITHIN DIMENSIONS		APPR: PBERG 2004/09/30		
▽ = 0	THIRD ANGLE PROJECTION		DRAWING	SERIES	DOCUMENT NUMBER
			D-SIZE	31402	SD-31402-211
					DOC TYPE
					PSD
					DOC PART
					001
					REVISION
					T7
					MATERIAL NUMBER
					CUSTOMER
					GENERAL MARKET
					SHEET NUMBER
					8 OF 9



PART NUMBER WITHOUT CPA	PART NUMBER WITH CPA	CLIPSLOT OPTION	ROW/ CIRCUITS	KEY*	MATTE SEAL COLOR	PERIMETER SEAL COLOR	CONNECTOR COLOR	WIDTH DIM (A)	MIN. PASS THRU DIA.	FEMALE TERMINAL SUPPLIER	USCAR FOOTPRINT DRAWING NO.	STATUS
31404-7100	31404-7110	NO	1X6	A	ROYAL BLUE	LIGHT BLUE	BLACK	26.33	(26.82)	YAZAKI KAIZEN 0.64 TE GEN Y 0.64 JST AIT 0.64	064-S-006-1-Z02	SALEABLE
31404-7200	31404-7210			B			GRAY					SALEABLE
31404-7300	31404-7310			C			BROWN					TOOLED, COLOR UNAVAILABLE
31404-7400	31404-7410			D			GREEN					TOOLED, COLOR UNAVAILABLE
31404-7500	31404-7510			B			BLACK					SALEABLE
31404-7600	31404-7610			C			BLACK					SALEABLE
31404-7700	31404-7710			D			BLACK					SALEABLE
31404-7800	31404-7810			C			NATURAL					SALEABLE

ADDITIONAL CAVITY PLUG CONFIGURATIONS:

ROW/ CIRCUITS	FEMALE TERMINAL	MOLEX P/N WITH CPA	MOLEX P/N WITHOUT CPA	KEY OPTION	CLIPSLOT OPTION	COLOR	CIRCUIT NUMBER: "0" INDICATED PLUG LOCATION						TOTAL CIRCUITS PLUGGED	STATUS
							1	2	3	4	5	6		
1X6	YAZAKI KAIZEN 0.64 TE GEN Y 0.64 JST AIT 0.64	31404-7110	31404-7100	A	NO	BLACK							0	SALEABLE
		31404-7111	31404-7101	A	NO	BLACK	0	0	0	0	0	0	6	SALEABLE
		31404-7112	31404-7102	A	NO	BLACK	0		0				2	SALEABLE
		31404-7113	31404-7103	A	NO	BLACK	0					0	2	SALEABLE
		31404-7116	31404-7106	A	NO	BLACK						0	1	SALEABLE
		31404-7117	31404-7107	A	NO	BLACK	0		0			0	3	SALEABLE
		31404-7118	31404-7108	A	NO	BLACK	0						1	SALEABLE
		31404-7119	31404-7109	A	NO	BLACK			0		0	0	3	SALEABLE
		31404-7132	31404-7122	A	NO	BLACK			0				1	SALEABLE
		31404-7133	31404-7123	A	NO	BLACK		0					1	SALEABLE
		31404-7134	31404-7124	A	NO	BLACK				0		0	2	SALEABLE
		31404-7135	31404-7125	A	NO	BLACK		0		0			2	SALEABLE
		31404-7213	31404-7203	B	NO	GRAY	0					0	2	SALEABLE
		31404-7214	31404-7204	B	NO	GRAY						0	1	SALEABLE
		31404-7215	31404-7205	B	NO	GRAY		0					1	SALEABLE
		31404-7216	31404-7206	B	NO	GRAY		0			0	0	3	SALEABLE
		31404-7812	31404-7802	C	NO	NATURAL				0	0	0	3	SALEABLE
		31404-7813	31404-7803	C	NO	NATURAL		0					1	SALEABLE
31404-7912	31404-7902	D	NO	GRAY		0					1	SALEABLE		
31404-7913	31404-7903	D	NO	GRAY		0		0			2	SALEABLE		

<b>SYMBOLS</b> = 0 = 0 = 0 = 0 = 0 = 0 = 0 = 0 = 0	THIS DRAWING CONTAINS INFORMATION THAT IS PROPRIETARY TO MOLEX ELECTRONIC TECHNOLOGIES, LLC AND SHOULD NOT BE USED WITHOUT WRITTEN PERMISSION														
	DIMENSION UNITS		SCALE		CURRENT REV DESC:										
	mm		1:1												
	GENERAL TOLERANCES (UNLESS SPECIFIED)				EC NO: 608911						<b>0.64 USCAR CONNECTOR SEALED SINGLE ROW ASSEMBLY</b> <b>PRODUCT CUSTOMER DRAWING</b>				
	ANGULAR TOL ± 3.0°				DRWN: PZHANG71 2018/10/09										
	4 PLACES ±				CHK'D: GLI04 2018/12/11										
	3 PLACES ±				APPR: JDENG02 2018/12/12						<b>SD-31402-211</b> PSD    001    T7				
	2 PLACES ± 0.13				INITIAL REVISION:										
	1 PLACE ± 0.3				DRWN: RCARLSON 2004/03/01						<b>GENERAL MARKET</b> 9 OF 9				
	0 PLACES ±				APPR: PBERG 2004/09/30										
DRAFT WHERE APPLICABLE MUST REMAIN WITHIN DIMENSIONS				THIRD ANGLE PROJECTION		DRAWING		SERIES		MATERIAL NUMBER		CUSTOMER		SHEET NUMBER	
						D-SIZE		31402		GENERAL MARKET		9 OF 9			