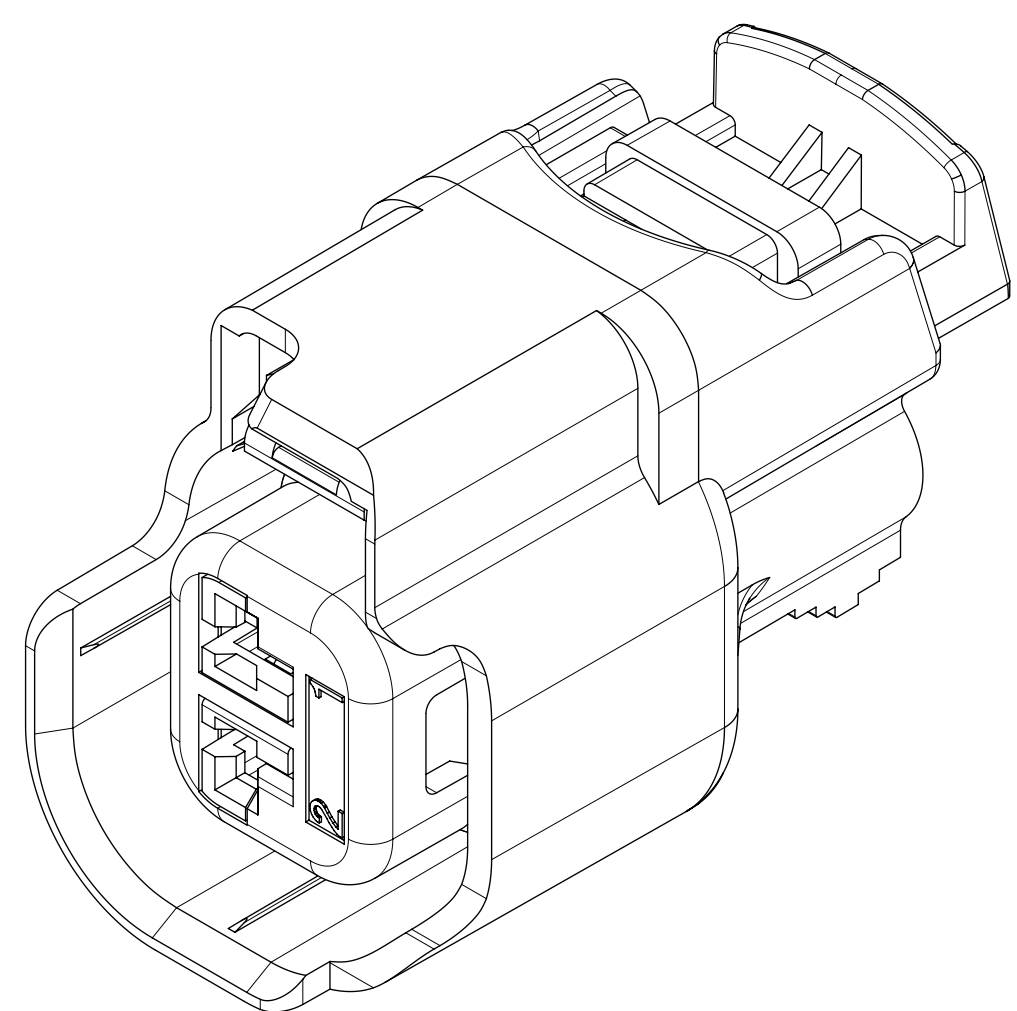
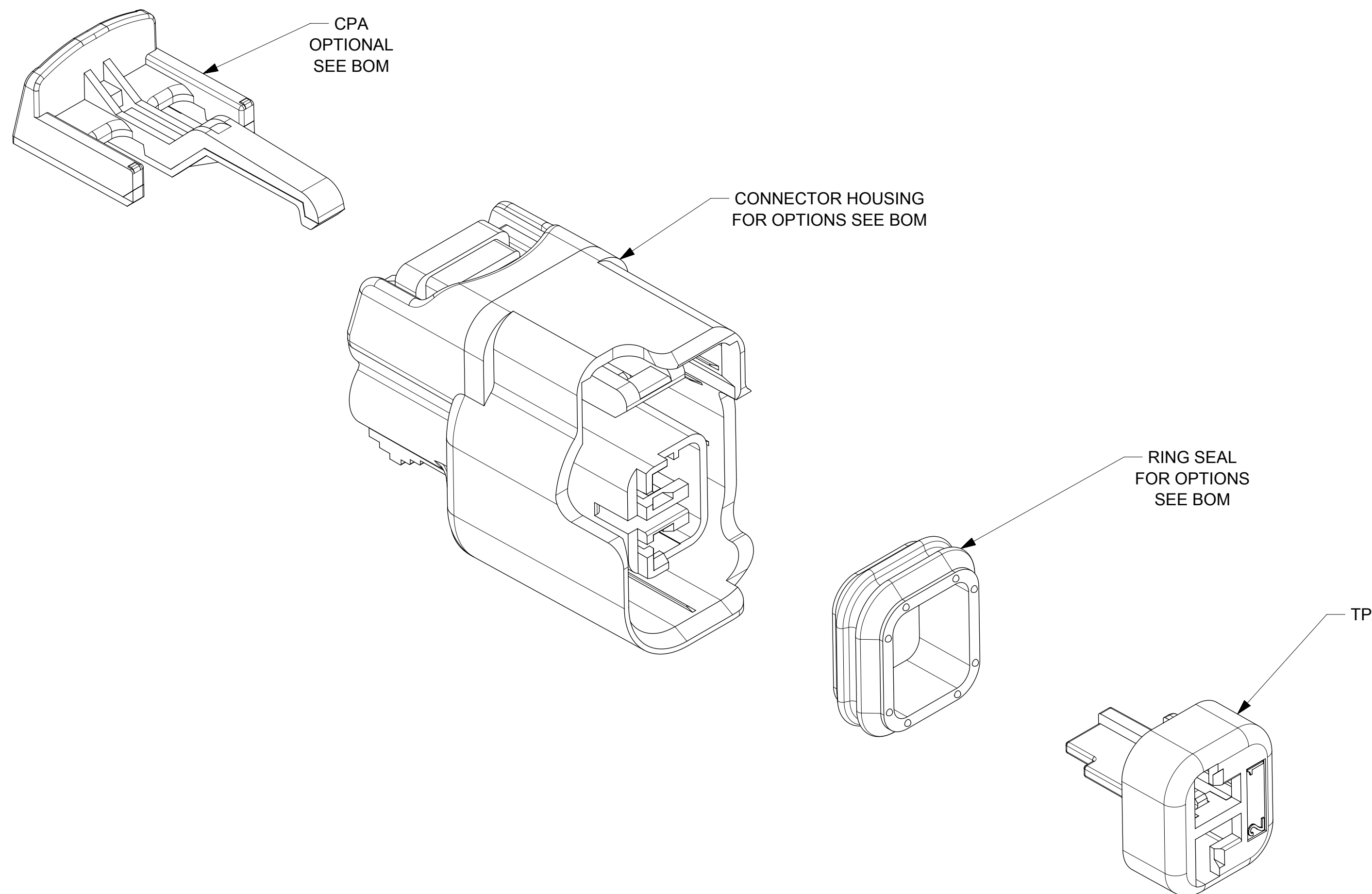


TABLE OF CONTENTS	
SHEET NO.	SHEET DESCRIPTION
1	NOTES
2, 3	CONFIGURATIONS
4	RECEPTACLE CONNECTOR ASSEMBLY
5	MOLEX INTERFACE

NOTES: VALID UNLESS OTHERWISE SPECIFIED

1. GENERAL:
- a. APPLICATION SPECIFICATION SEE: AS-34062-000
 - CONTAINS: PRODUCT INTRODUCTION, PRODUCT SUMMARY, CONNECTOR ASSEMBLY, PACKAGING INFORMATION, CONNECTOR MATING, SERVICE INSTRUCTIONS, ELECTRICAL CONTINUITY CHECKING, CRIMPING, AND TROUBLESHOOTING.
 - DESIGNED TO MATE WITH DEVICE CONNECTION AS SPECIFIED IN DRAWING EWCAP 150-S-002-1-Z01. AVAILIBLE AT <http://ewcap.uscarteams.org/>.
 - DESIGNED TO MATE WITH BLADE SEALED ASSEMBLY AS SPECIFIED IN DRAWING: SD-34675-001
 - ASSEMBLY SHIPPED WITH TPA IN PRE-LOCK (SEE TPA PRE-LOCK VIEW IN SHEET 4)
 - b. PRODUCT SPECIFICATION SEE: PS-34062-000
 - CONTAINS: SCOPE, PRODUCT DESCRIPTION, INTEGRAL COMPONENTS AND ACCESSORIES, APPLICABLE DOCUMENTS AND SPECIFICATIONS, RATINGS, PERFORMANCE, PACKAGING, GAUGE AND FIXTURES, AND OTHER INFORMATION.
 - c. PACKAGING SPECIFICATION PER MOLEX DRAWING: PK-30907-879
 - d. PARTS MUST BE IN COMPLIANCE TO MOLEX CHEMICAL SUBSTANCES FOR PRODUCTS AND PACKAGING SPECIFICATION: QEHS-699000-301
 - e. DATA MUST BE SUBMITTED UNDER THE MOLEX PART NUMBER TO IMDS (COMPANY ID#13255)
2. DESIGN - MATERIALS:
- a. SEE BOM TABLE IN SD-34062-004
3. DESIGN - GEOMETRY:
- a. THIS IS A 100% CAD GENERATED PART. THE CAD MATHEMATICAL DATA IS THE MASTER FOR THIS PART. FOR DIMENSIONAL OR ANY INFORMATION NOT SHOWN ON THIS DRAWING, ANALYZE THE CAD MODEL.
 - b. GEOMETRIC DIMENSIONS AND TOLERANCES PER ASME Y14.5M - 1994
 - c. EDGES AND UNDIMENSIONED DETAILS PER ISO13715
 - d. CORNERS SHOWN AS SHARP TO BE R 0.2 MAX.
 - e. LETTERING SHALL BE 0.15 MAX RAISED IN 0.25 MAX RECESS PAD. THIS INCLUDES RECYCLING CODE, CAVITY ID, VENDOR IDENTIFICATION, AND CUSTOMER MATERIAL NUMBER.
 - f. VISUAL DEFECTS SHALL MEET COSMETIC STANDARD PS-45499-002 (Class B)
 - g. LASER MARKING: TBD

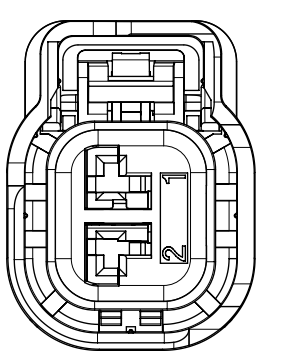
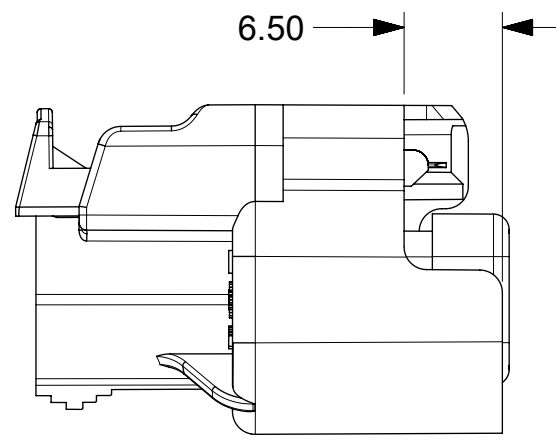


J19	NX RE-MASTERING
J18	ADDED DIM ICD 64
REV.	DESCRIPTION

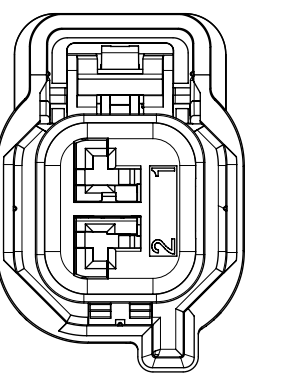
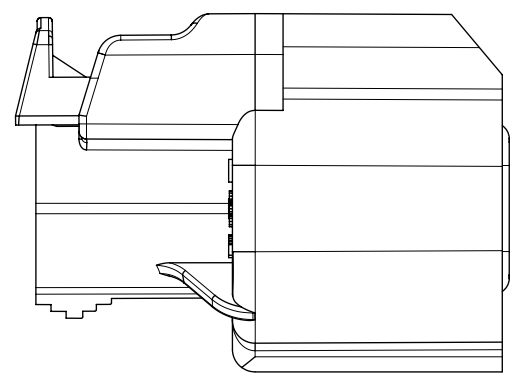
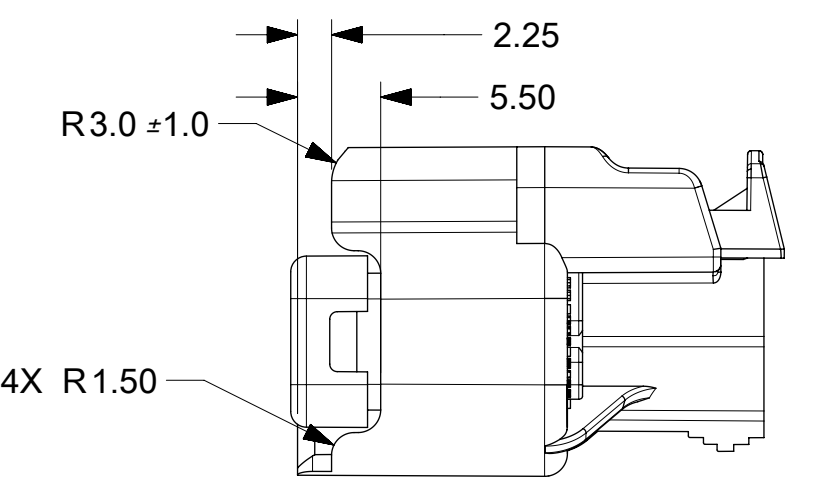
THIS DRAWING CONTAINS INFORMATION THAT IS PROPRIETARY TO MOLEX ELECTRONIC TECHNOLOGIES, LLC AND SHOULD NOT BE USED WITHOUT WRITTEN PERMISSION		DIMENSION UNITS: MM SCALE: 4:1					
GENERAL TOLERANCES (UNLESS SPECIFIED) ANGULAR TOL ± 3.0 °		DRWN BY: KCUNNINGHAM DATE: 2011/11/08					
4 PLACES ± 3 PLACES ± 2 PLACES ± 0.1 1 PLACE ± 0.3 0 PLACES ±		CHKD BY: MVANSLAMBROU DATE: 1/26/2012		PRODUCT CUSTOMER DRAWING			
DRAFT WHERE APPLICABLE MUST REMAIN WITHIN DIMENSIONS		APPR BY: KDEKOSKI DATE: 2017/06/14		SERIES: 34062	MATERIAL NUMBER: SEE NOTE 2a	CUSTOMER: GENERAL MARKET	
EC NO: 117955 DRWN: PKABBUR CHKD: KDEKOSKI REV: J19		DIMENSION UNITS: D THIRD ANGLE PROJECTION		DOCUMENT NUMBER: SD-34062-002	DOC TYPE: PSD	DOC PART: 000	SHEET NUMBER: 1 OF 5

INSPECTION BALLOON NUMBER LOG	
PER DRAWING REVISION:	J18
LAST BALLOON NUMBER USED:	ICD 64
ADDED BALLOON NUMBERS:	ICD 64
REMOVED BALLOON NUMBERS:	ICD 7, ICD 8, ICD 9, ICD 18, ICD 19, ICD 20, ICD 41, ICD 42

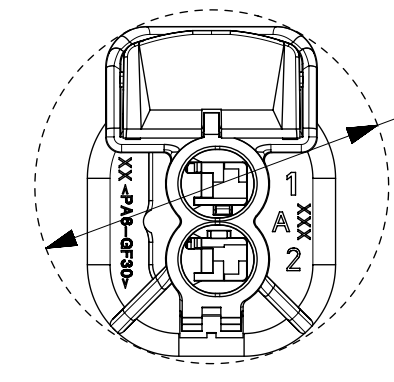
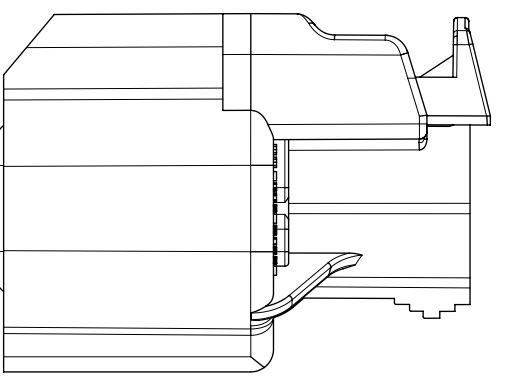
SHEET DESCRIPTION
CONFIGURATIONS



OPTION A

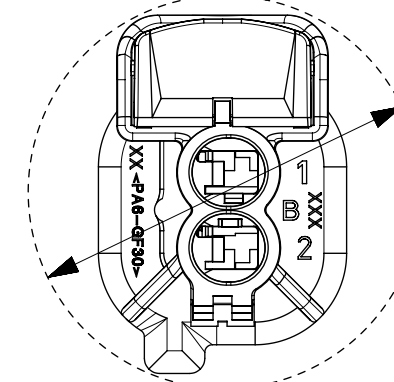


OPTION B



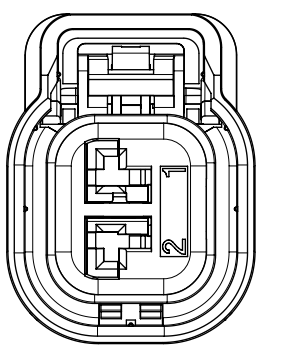
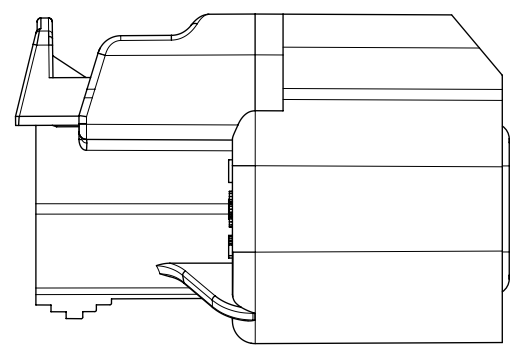
REAR VIEW

Ø23.40
MINIMUM PASS-THRU WITH
NO CLEARANCE
APPLIES TO NON-CLIP SLOT
OPTIONS A, C, D & G

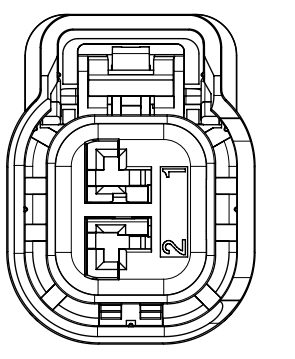
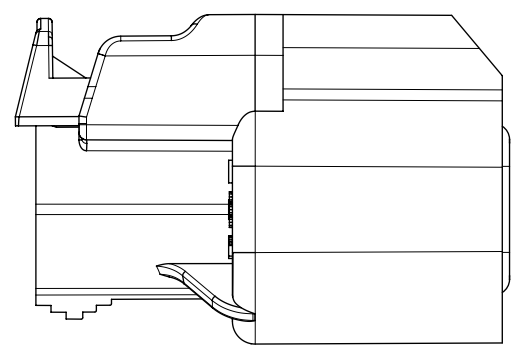
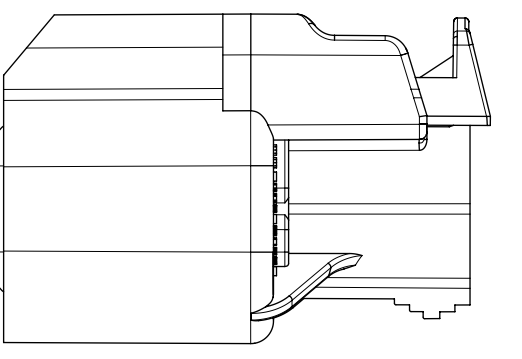


REAR VIEW

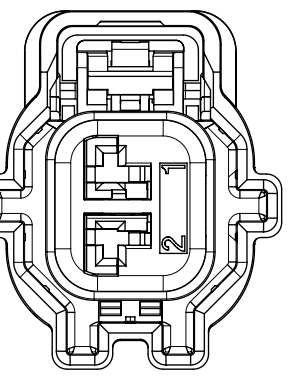
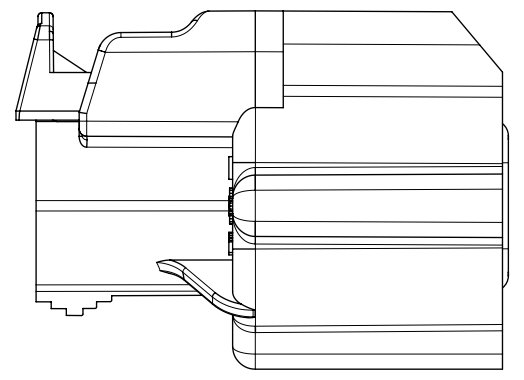
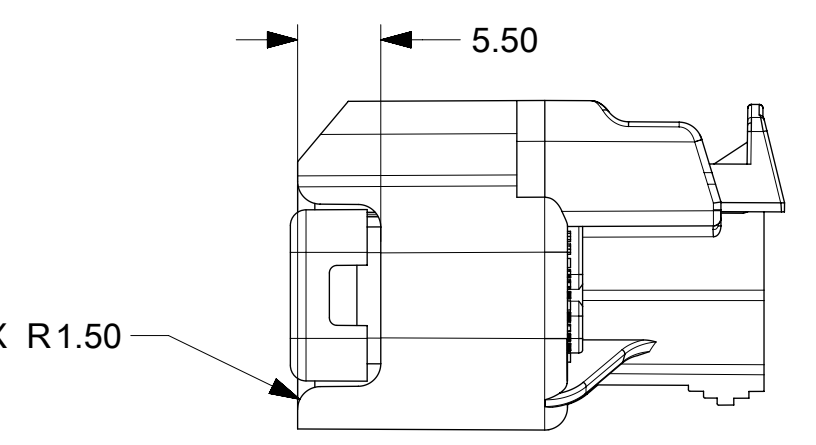
Ø26.00
MINIMUM PASS-THRU WITH
NO CLEARANCE
APPLIES TO NON-CLIP SLOT
OPTIONS B, E & F



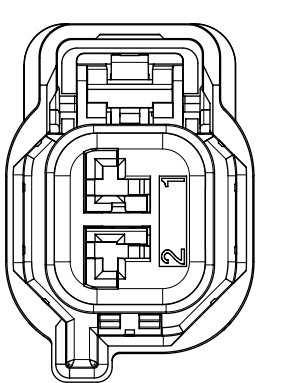
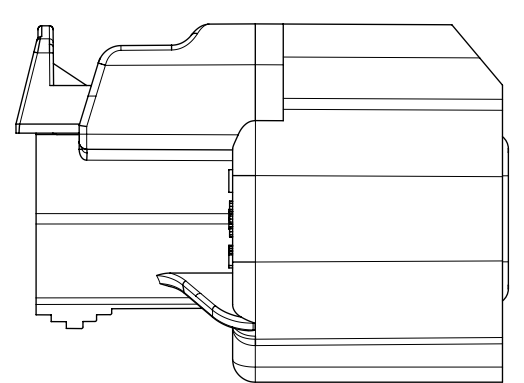
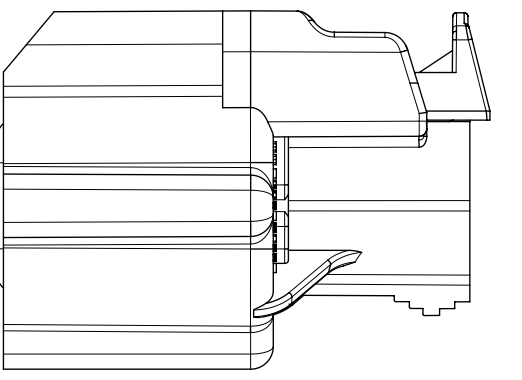
OPTION C



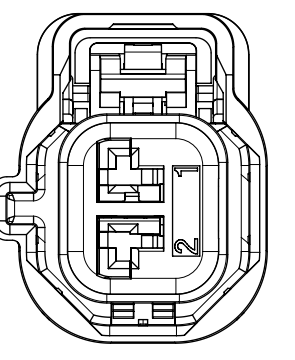
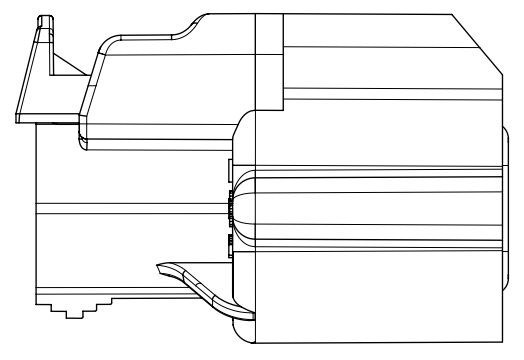
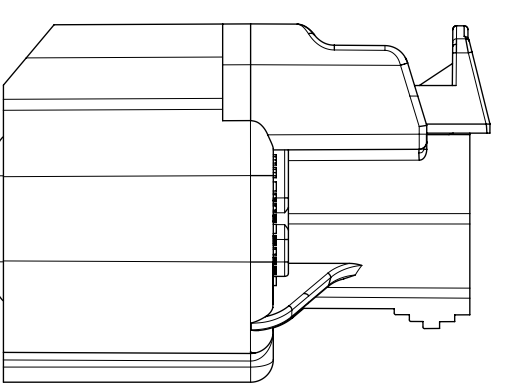
OPTION D



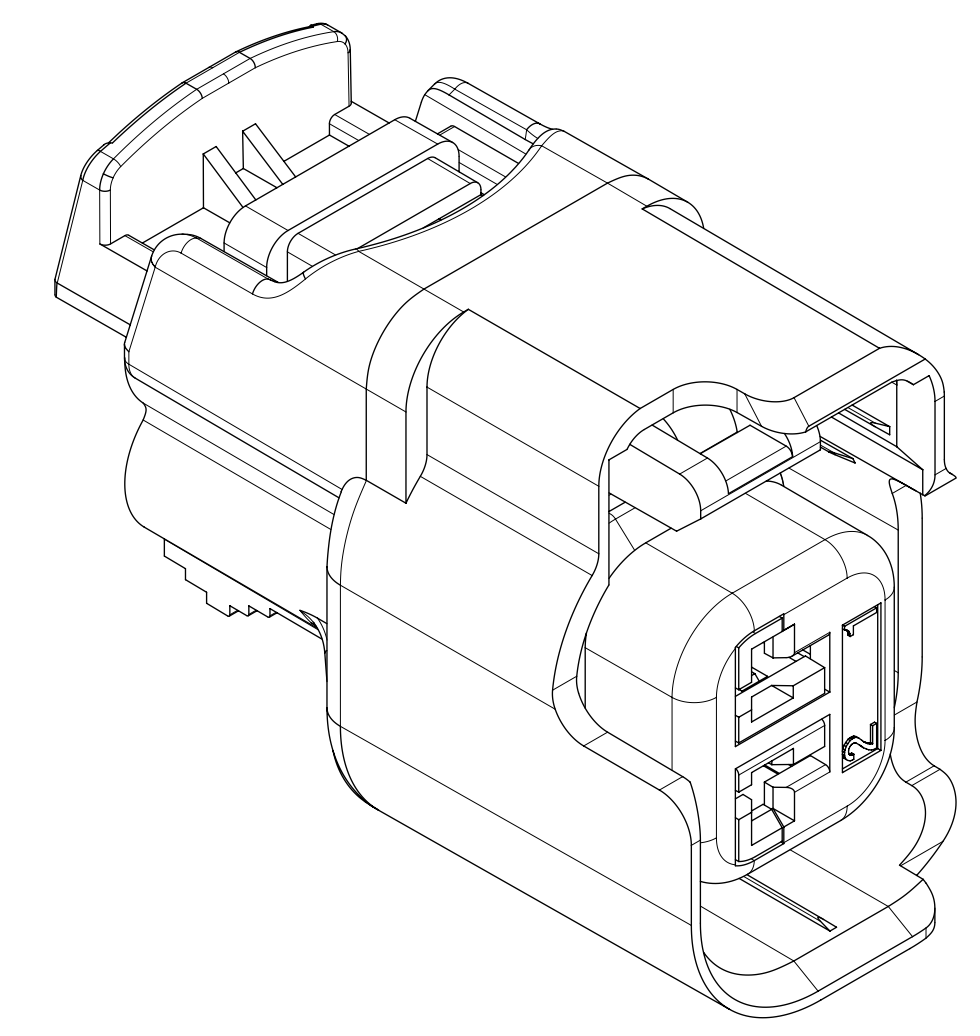
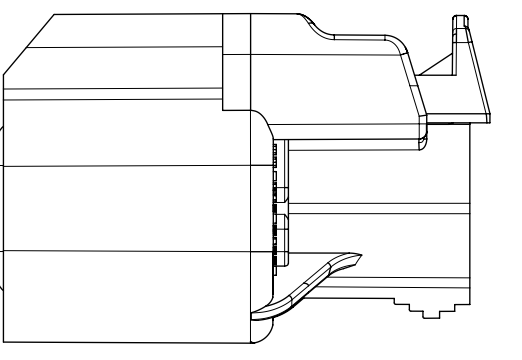
OPTION E



OPTION F



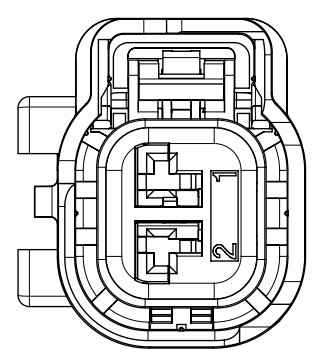
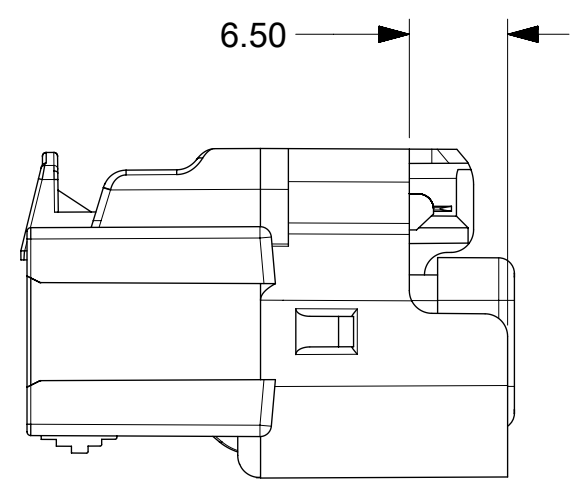
OPTION G



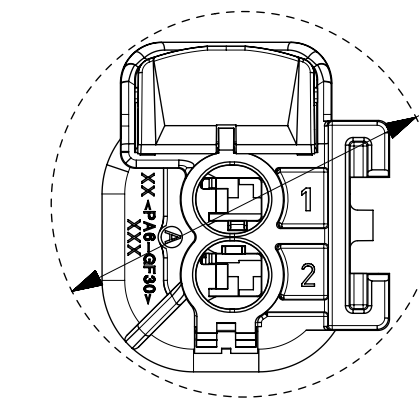
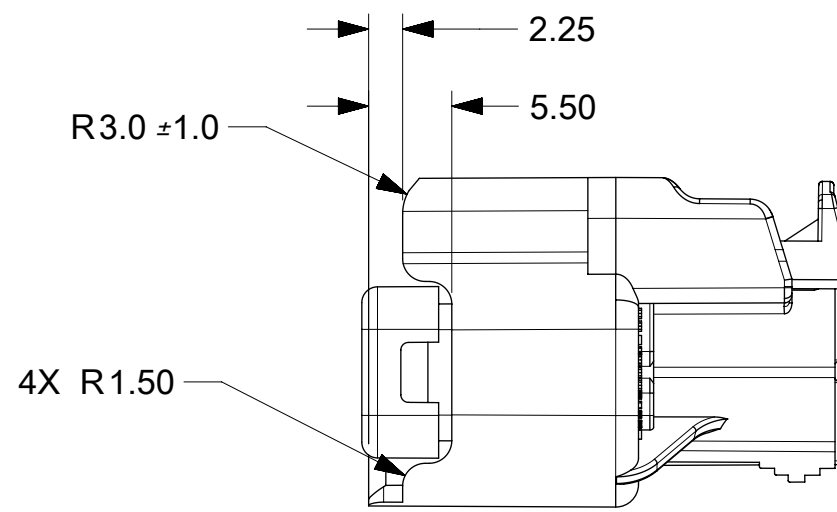
NON CLIP-SLOT OPTION
SCALE 4:1

THIS DRAWING CONTAINS INFORMATION THAT IS PROPRIETARY TO MOLEX ELECTRONIC TECHNOLOGIES, LLC AND SHOULD NOT BE USED WITHOUT WRITTEN PERMISSION											
QUALITY SYMBOLS	EC NO: 117955 DRWN: PKABBUR CHK'D: REV APPR: KDEKOSKI	2017/05/15 2017/06/14	GENERAL TOLERANCES (UNLESS SPECIFIED)		DIMENSION UNITS	SCALE					
			ANGULAR TOL ± 3.0 °		MM	2:1					
▽ = 0	DRAFT WHERE APPLICABLE MUST REMAIN WITHIN DIMENSIONS	D	4 PLACES ±	DRWN BY	DATE	MX150 2 WAY CABLE SEAL RECEPTACLE CONN. SYSTEM (5.0MM PITCH)					
▽ = 0			3 PLACES ±	KCUNNINGHAM	2011/11/08						
▽ = 0			2 PLACES ± 0.1	CHKD BY	DATE	PRODUCT CUSTOMER DRAWING					
▽ = 0			1 PLACE ± 0.3	MVANSLAMBROU	1/26/2012						
▽ = 0			0 PLACES ±	APPR BY	DATE	SERIES	MATERIAL NUMBER	CUSTOMER	GENERAL MARKET		
▽ = 0				KDEKOSKI	2017/06/14	34062	SEE NOTE 2a				
▽ = 0				DRAWING SIZE	THIRD ANGLE PROJECTION	DOCUMENT NUMBER	DOC TYPE	DOC PART	SHEET NUMBER		
						SD-34062-002	PSD	000	2 OF 5		

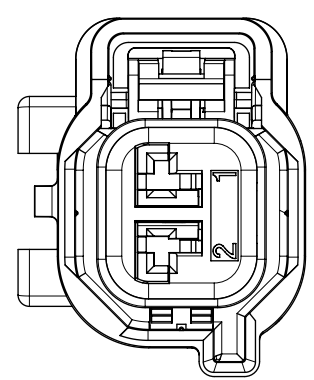
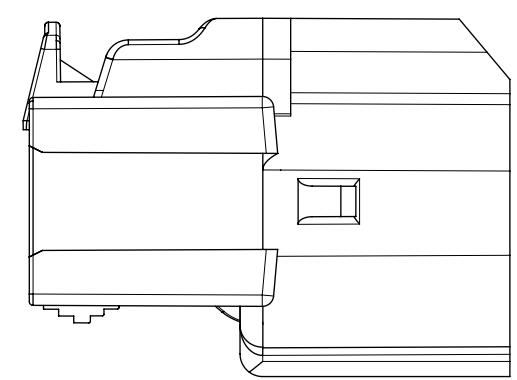
SHEET DESCRIPTION
CONFIGURATIONS



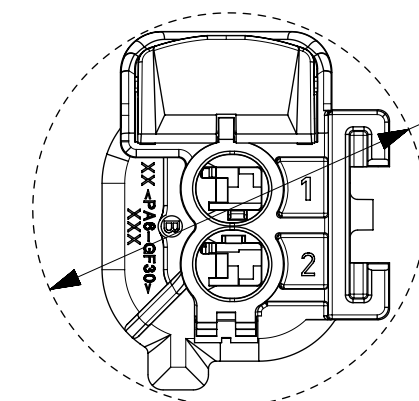
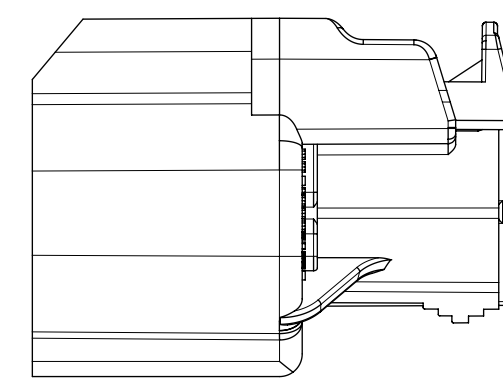
OPTION A W/CLIP-SLOT *



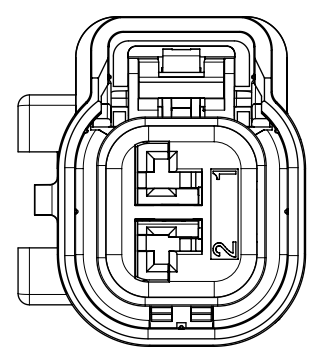
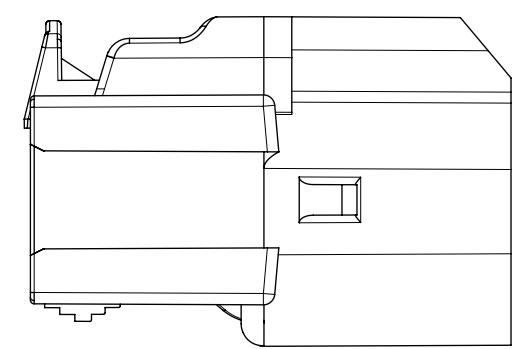
Ø25.50
MINIMUM PASS-THRU WITH
NO CLEARANCE
APPLIES TO CLIP-SLOT
OPTIONS A, C & D



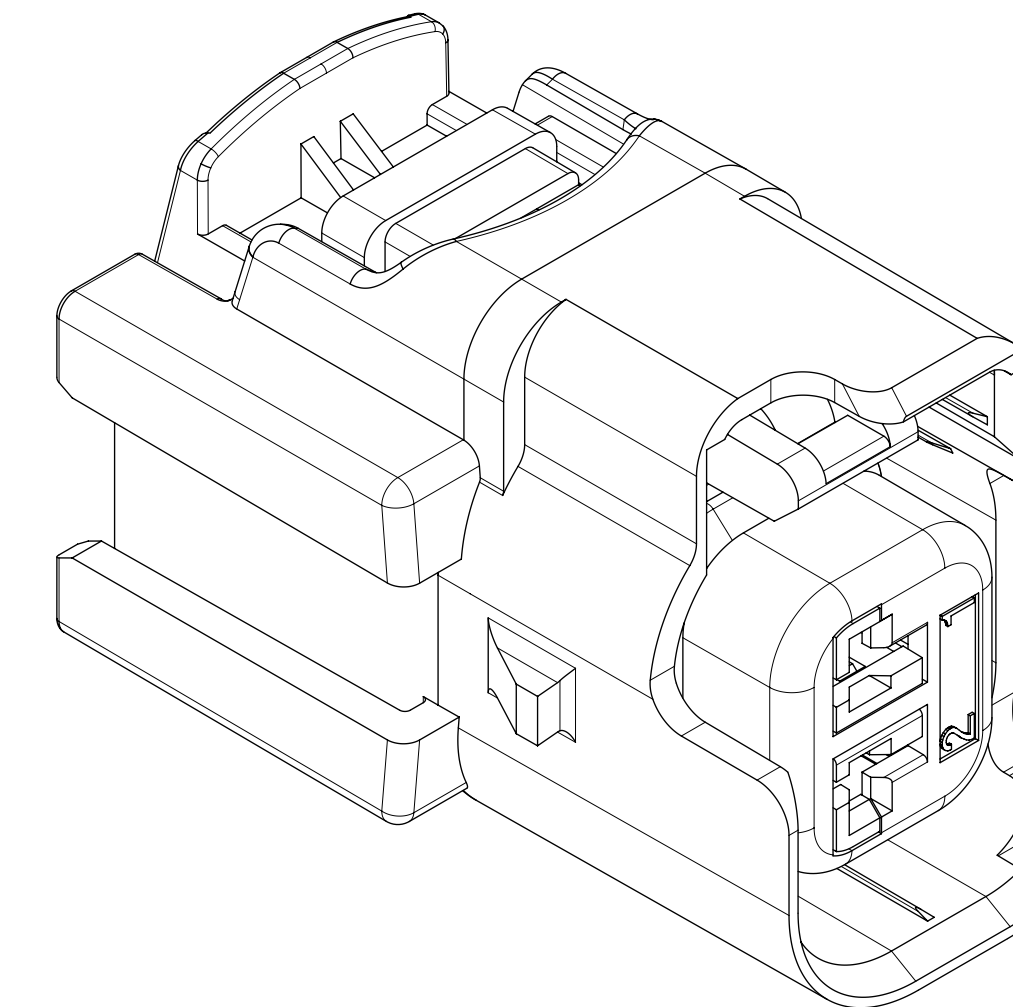
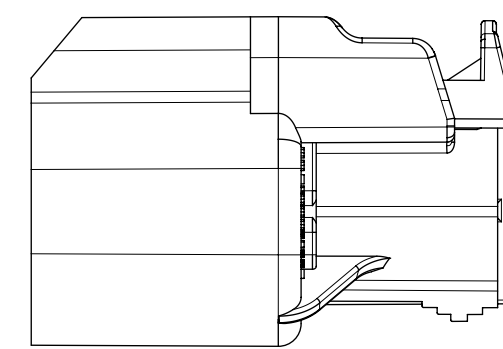
OPTION B W/CLIP-SLOT *



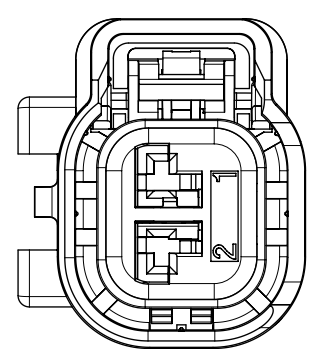
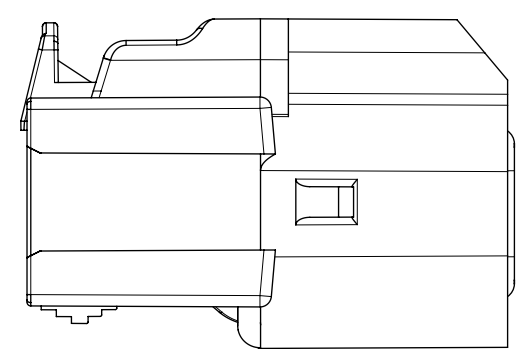
Ø26.00
MINIMUM PASS-THRU WITH
NO CLEARANCE
APPLIES TO CLIP-SLOT
OPTION B



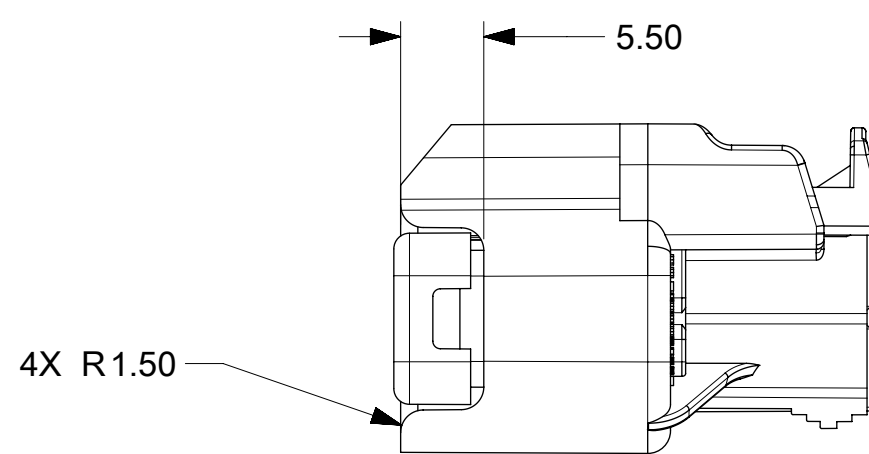
OPTION C W/CLIP-SLOT *



CLIP-SLOT OPTION
SCALE 4:1



OPTION D W/CLIP-SLOT *

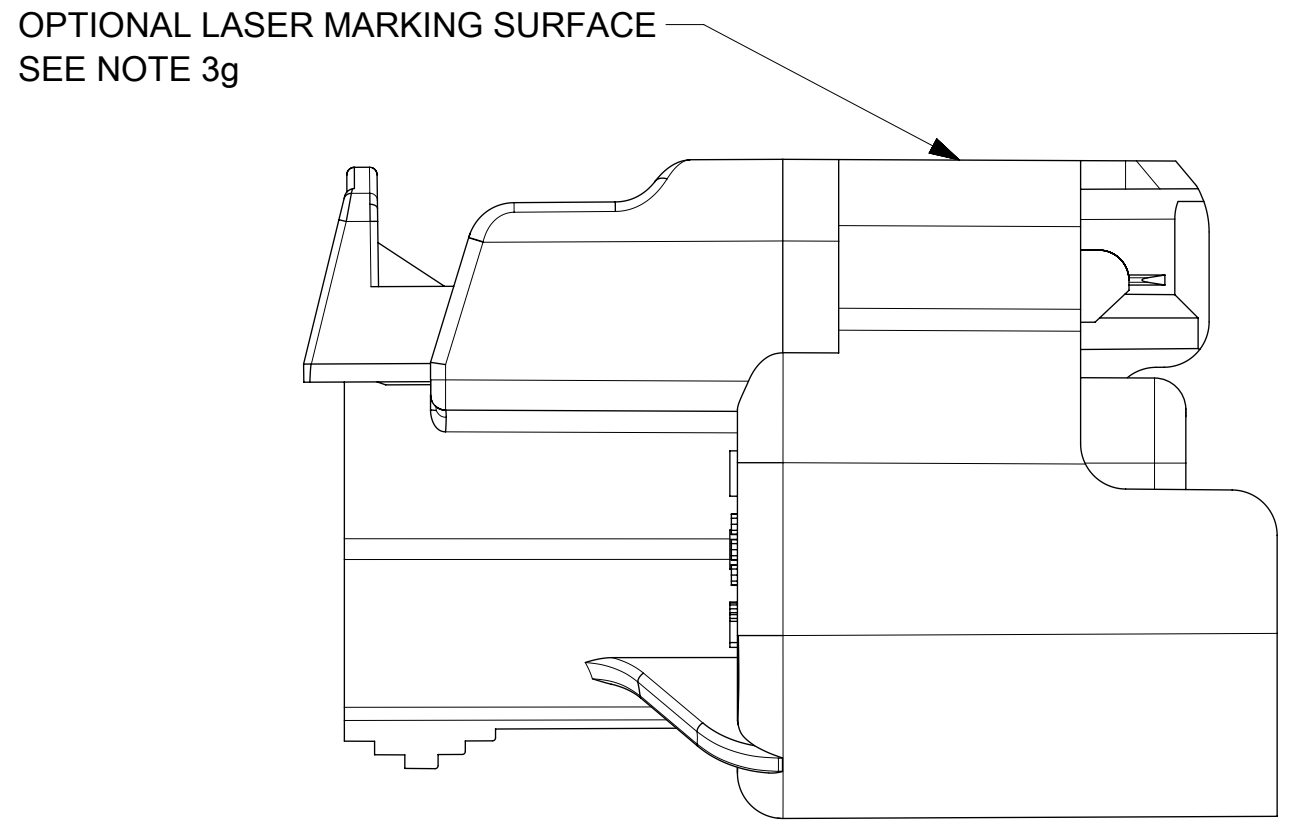


* WITH CLIP-SLOT CONFIGURATIONS
DO NOT MEET USCAR PACKAGING FRAME REQUIREMENTS

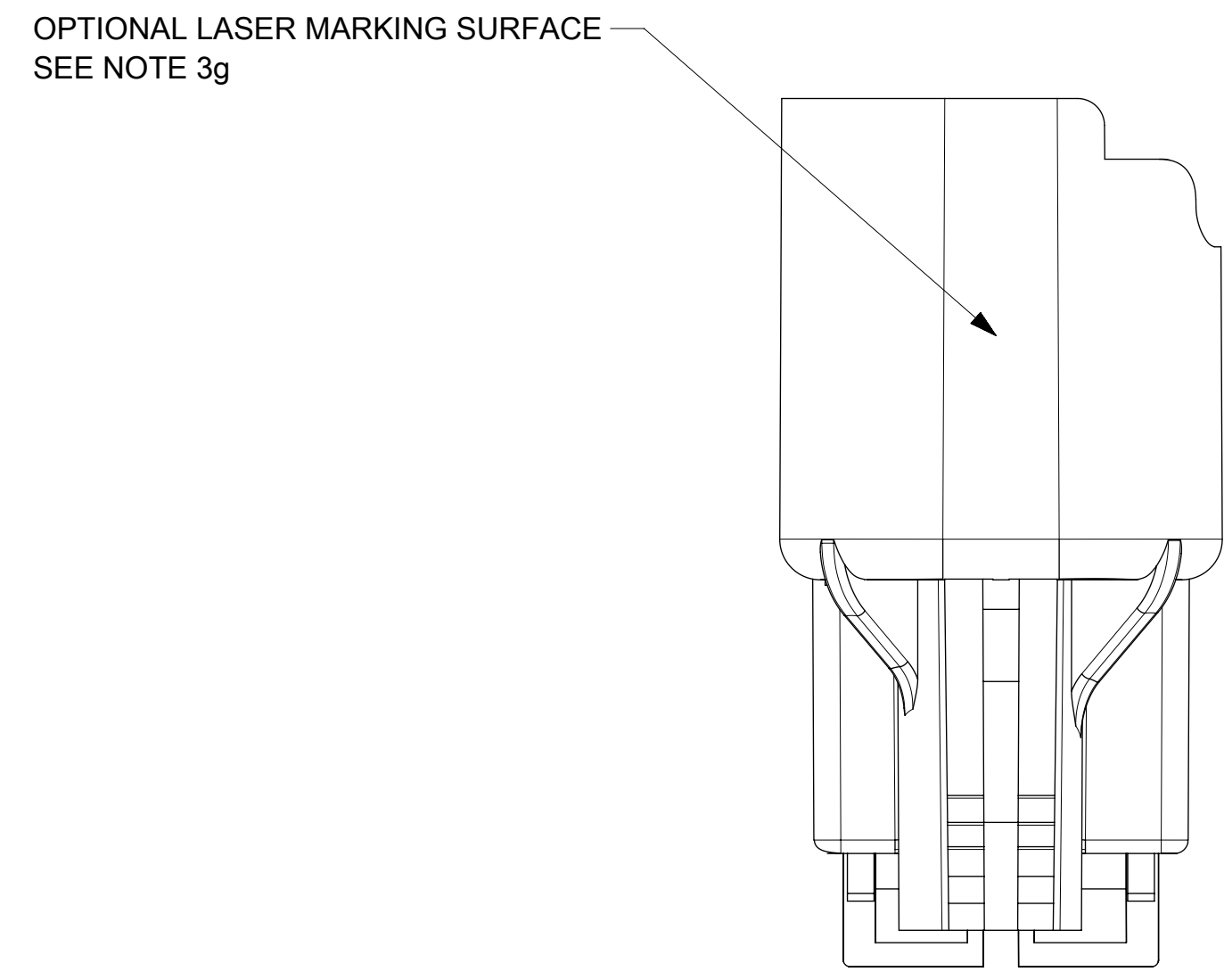
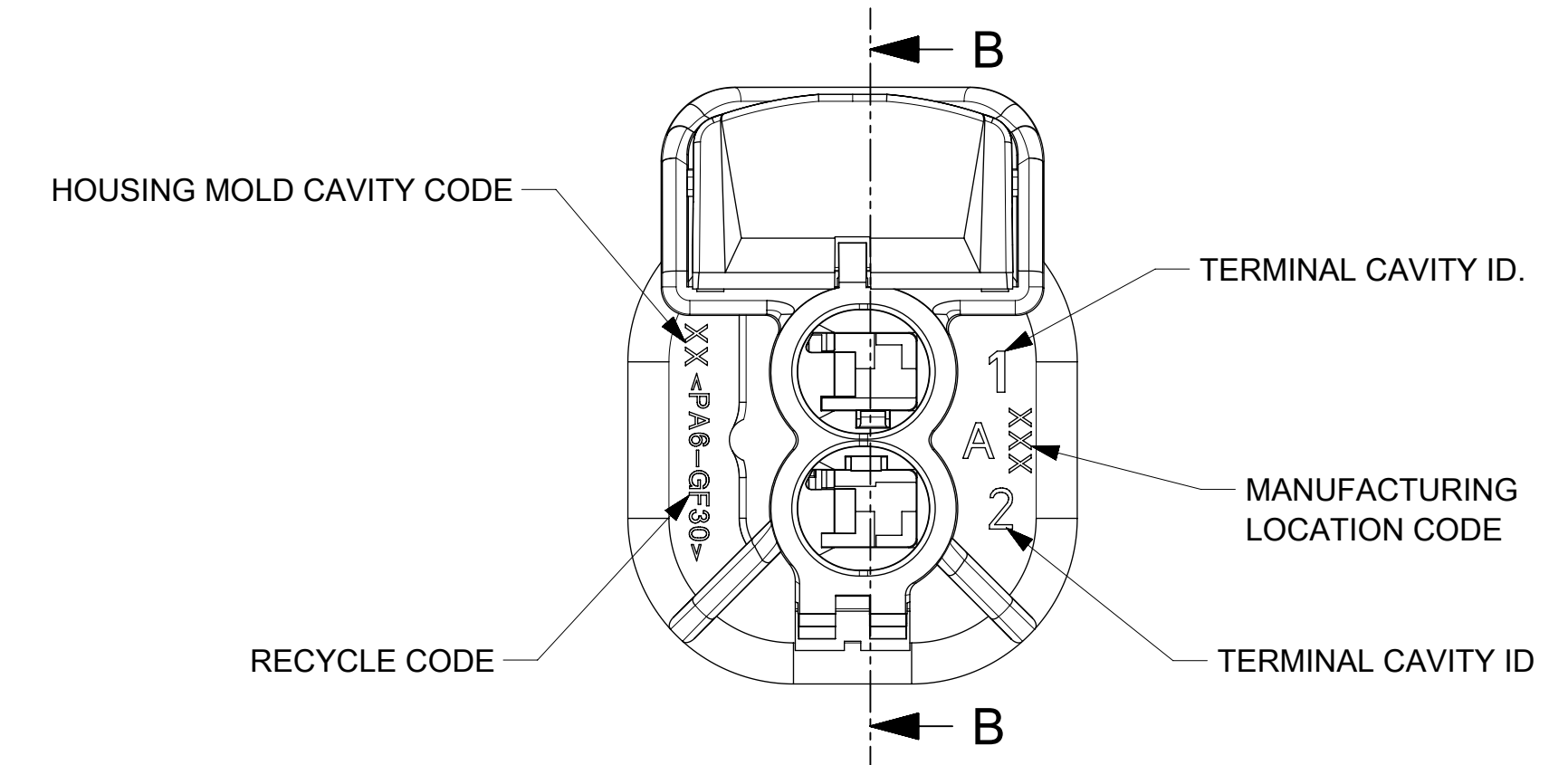
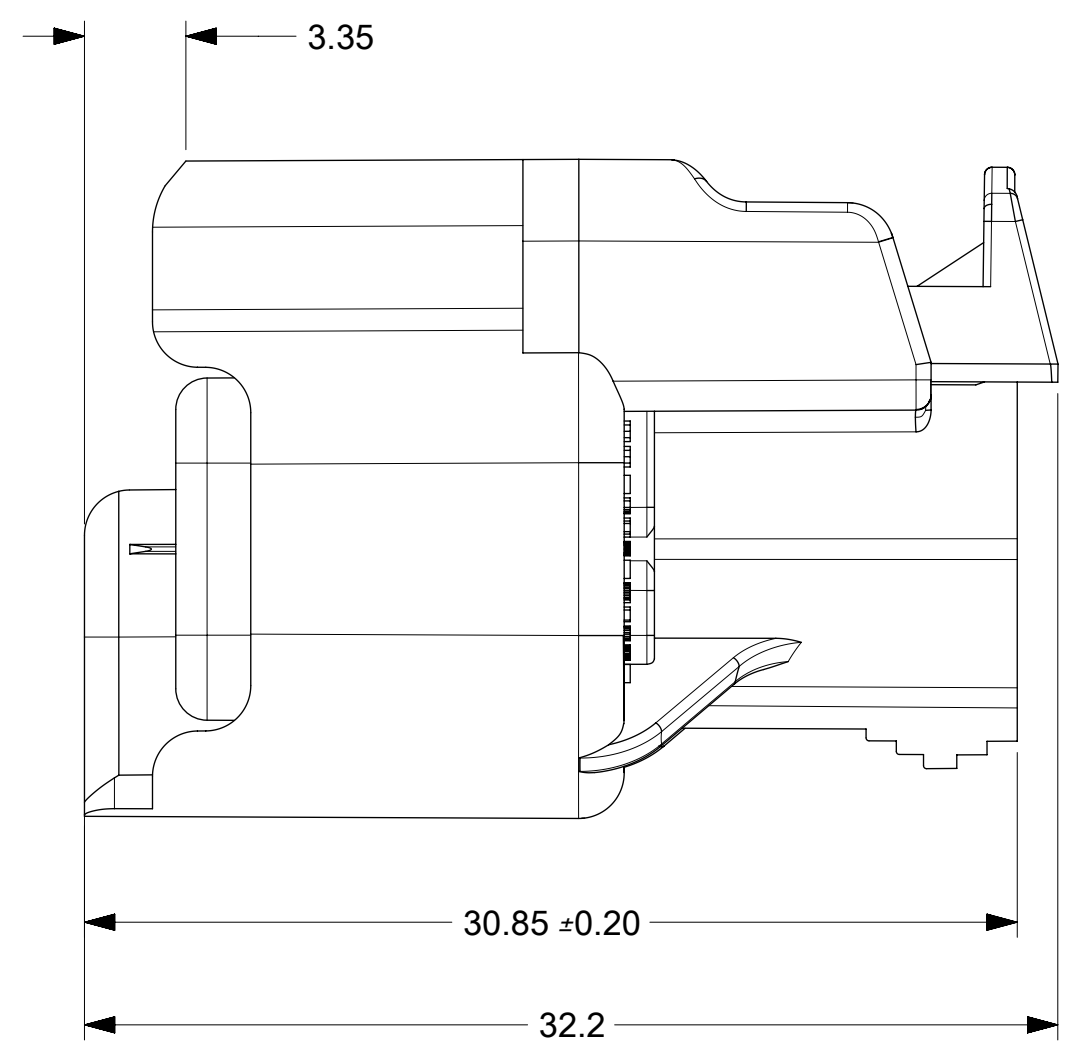
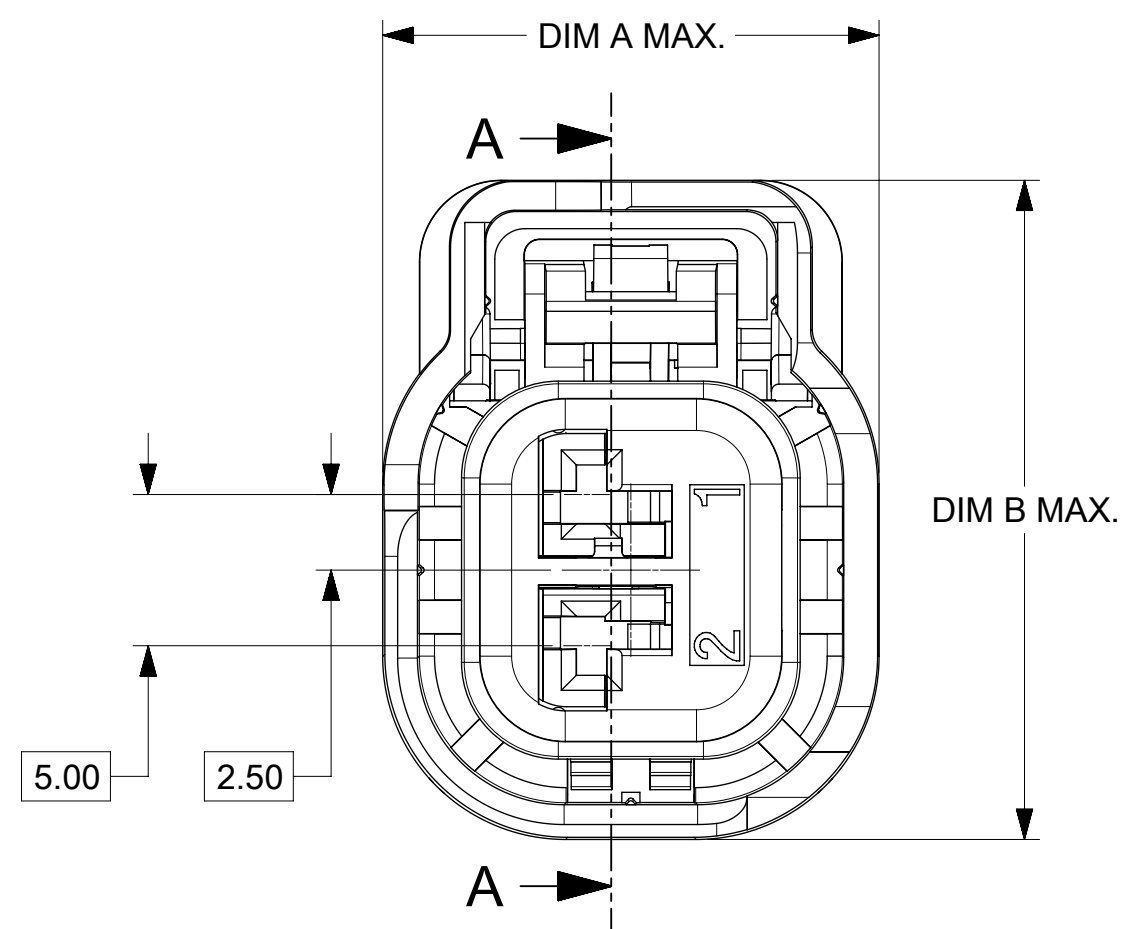
QUALITY SYMBOLS 	THIS DRAWING CONTAINS INFORMATION THAT IS PROPRIETARY TO MOLEX ELECTRONIC TECHNOLOGIES, LLC AND SHOULD NOT BE USED WITHOUT WRITTEN PERMISSION			
	EC NO: 117955	DRWN: PKABBUR	CHKD: KDEKOSKI	REV: APPR: KDEKOSKI
	2017/05/15	2017/06/14	GENERAL TOLERANCES (UNLESS SPECIFIED)	
	4 PLACES ±		DIMENSION UNITS	SCALE
	3 PLACES ±		MM	2:1
	2 PLACES ± 0.1		DRWN BY	DATE
	1 PLACE ± 0.3		KCUNNINGHAM	2011/11/08
	0 PLACES ±		CHKD BY	DATE
	DRAFT WHERE APPLICABLE MUST REMAIN WITHIN DIMENSIONS		MVANSLAMBROU	1/26/2012
	DRAFT WHERE APPLICABLE MUST REMAIN WITHIN DIMENSIONS		APPR BY	DATE
DRAFT WHERE APPLICABLE MUST REMAIN WITHIN DIMENSIONS		KDEKOSKI	2017/06/14	
DRAFT WHERE APPLICABLE MUST REMAIN WITHIN DIMENSIONS		DRAWING SIZE	THIRD ANGLE PROJECTION	
DRAFT WHERE APPLICABLE MUST REMAIN WITHIN DIMENSIONS		D		
DRAFT WHERE APPLICABLE MUST REMAIN WITHIN DIMENSIONS		SERIES	MATERIAL NUMBER	
DRAFT WHERE APPLICABLE MUST REMAIN WITHIN DIMENSIONS		34062	SEE NOTE 2a	
DRAFT WHERE APPLICABLE MUST REMAIN WITHIN DIMENSIONS		CUSTOMER	GENERAL MARKET	
DRAFT WHERE APPLICABLE MUST REMAIN WITHIN DIMENSIONS		DOCUMENT NUMBER	DOC TYPE	
DRAFT WHERE APPLICABLE MUST REMAIN WITHIN DIMENSIONS		SD-34062-002	PSD	
DRAFT WHERE APPLICABLE MUST REMAIN WITHIN DIMENSIONS		DOC PART	SHEET NUMBER	
DRAFT WHERE APPLICABLE MUST REMAIN WITHIN DIMENSIONS		000	3 OF 5	

SHEET DESCRIPTION	
RECEPTACLE CONNECTOR ASSEMBLY	

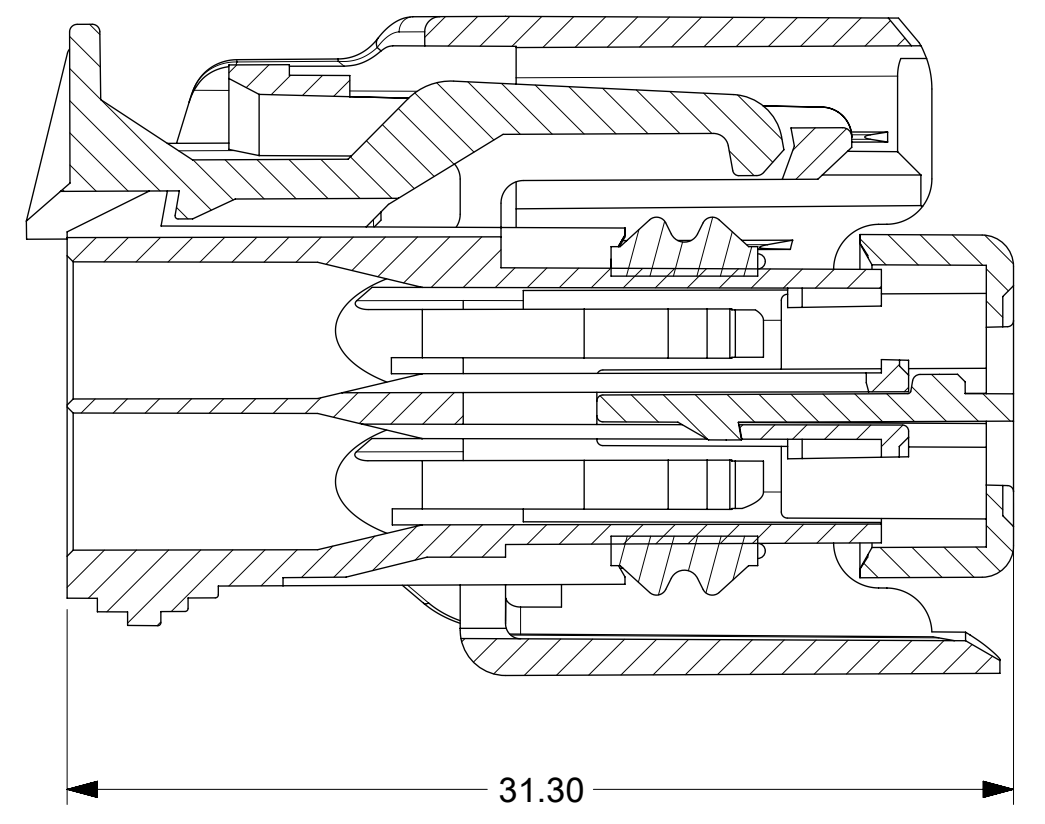
CHARTED DIMENSIONS		
CONFIGURATIONS	DIMENSIONS	
	A	B
OPTIONS A, C, D	16.6	22.0
OPTION B	16.6	23.9
OPTION E	20.2	23.9
OPTION F	16.6	23.9
OPTION G	18.4	22.0
OPTIONS A, C, D W/CLIP-SLOT	19.2	22.0
OPTION B W/CLIP-SLOT	19.2	23.9



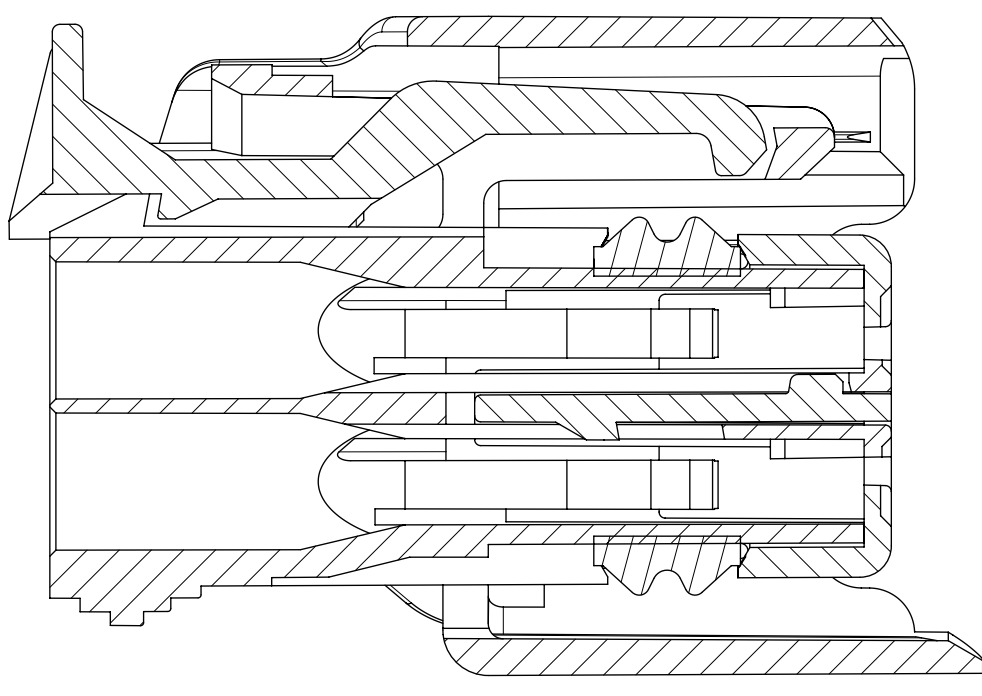
OPTIONAL LASER MARKING SURFACE
SEE NOTE 3g



OPTIONAL LASER MARKING SURFACE
SEE NOTE 3g



SECTION A-A
TPA SHOWN IN THE
PRE-STAGED POSITION



SECTION B-B
TPA SHOWN IN
FINAL-LOCK POSITION

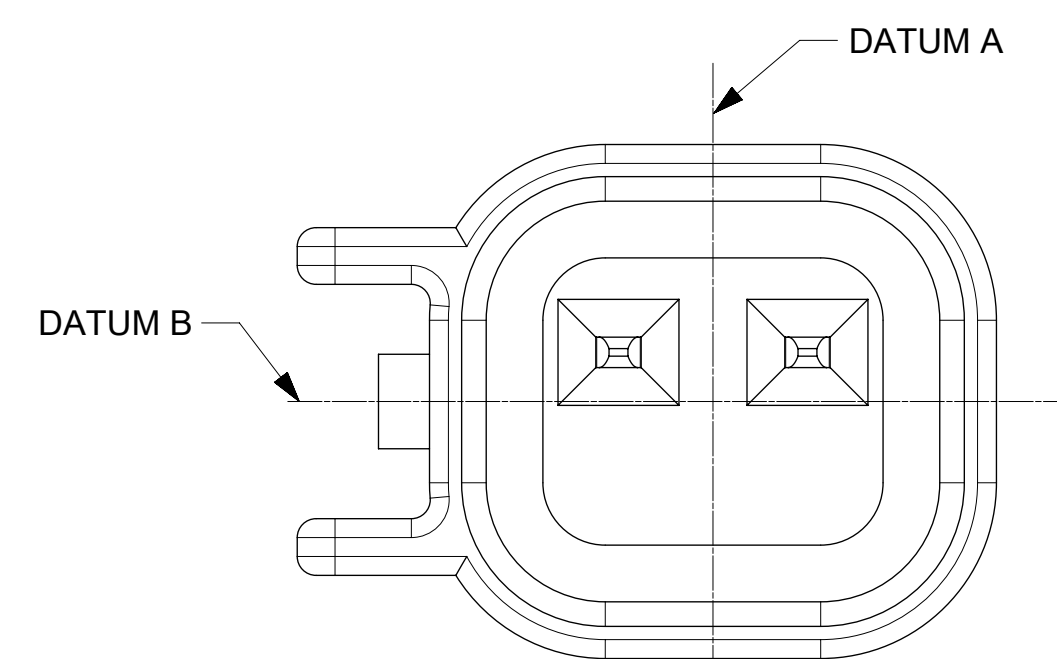
THIS DRAWING CONTAINS INFORMATION THAT IS PROPRIETARY TO MOLEX ELECTRONIC TECHNOLOGIES, LLC AND SHOULD NOT BE USED WITHOUT WRITTEN PERMISSION											
QUALITY SYMBOLS		2017/05/15		2017/06/14		GENERAL TOLERANCES (UNLESS SPECIFIED)		DIMENSION UNITS		SCALE	
▽ = 0	▽ = 0	▽ = 0	▽ = 0	▽ = 0	▽ = 0	▽ = 0	▽ = 0	MM	4:1		
▽ = 0	▽ = 0	▽ = 0	▽ = 0	▽ = 0	▽ = 0	▽ = 0	▽ = 0	ANGULAR TOL ± 3.0 °	DRWN BY	DATE	
▽ = 0	▽ = 0	▽ = 0	▽ = 0	▽ = 0	▽ = 0	▽ = 0	▽ = 0	4 PLACES ±	KCUNNINGHAM	2011/11/08	
▽ = 0	▽ = 0	▽ = 0	▽ = 0	▽ = 0	▽ = 0	▽ = 0	▽ = 0	3 PLACES ±	CHKD BY	DATE	
▽ = 0	▽ = 0	▽ = 0	▽ = 0	▽ = 0	▽ = 0	▽ = 0	▽ = 0	2 PLACES ± 0.1	MVANSLAMBROU	1/26/2012	
▽ = 0	▽ = 0	▽ = 0	▽ = 0	▽ = 0	▽ = 0	▽ = 0	▽ = 0	1 PLACE ± 0.3	APPR BY	DATE	
▽ = 0	▽ = 0	▽ = 0	▽ = 0	▽ = 0	▽ = 0	▽ = 0	▽ = 0	0 PLACES ±	KDEKOSKI	2017/06/14	
▽ = 0	▽ = 0	▽ = 0	▽ = 0	▽ = 0	▽ = 0	▽ = 0	▽ = 0	DRAFT WHERE APPLICABLE MUST REMAIN WITHIN DIMENSIONS	DRAWING SIZE	THIRD ANGLE PROJECTION	
▽ = 0	▽ = 0	▽ = 0	▽ = 0	▽ = 0	▽ = 0	▽ = 0	▽ = 0	D	⊕		
EC NO: 117955		DRWN: PKABBUR		CHKD: KDEKOSKI		REV: APPR: KDEKOSKI		SERIES		MATERIAL NUMBER	
J19								34062		SEE NOTE 2a	
RELEASE STATUS		RELEASE DATE		DOCUMENT NUMBER		DOC TYPE		DOC PART		SHEET NUMBER	
				SD-34062-002		PSD		000		4 OF 5	



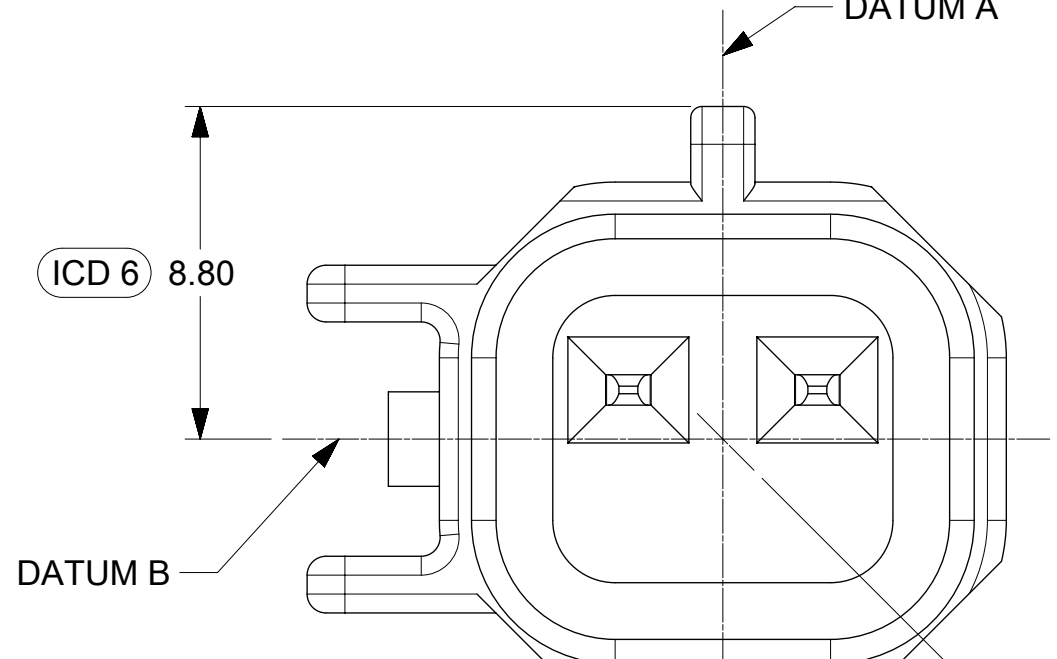
MX150 2 WAY CABLE SEAL
RECEPTACLE CONN. SYSTEM (5.0MM PITCH)

PRODUCT CUSTOMER DRAWING

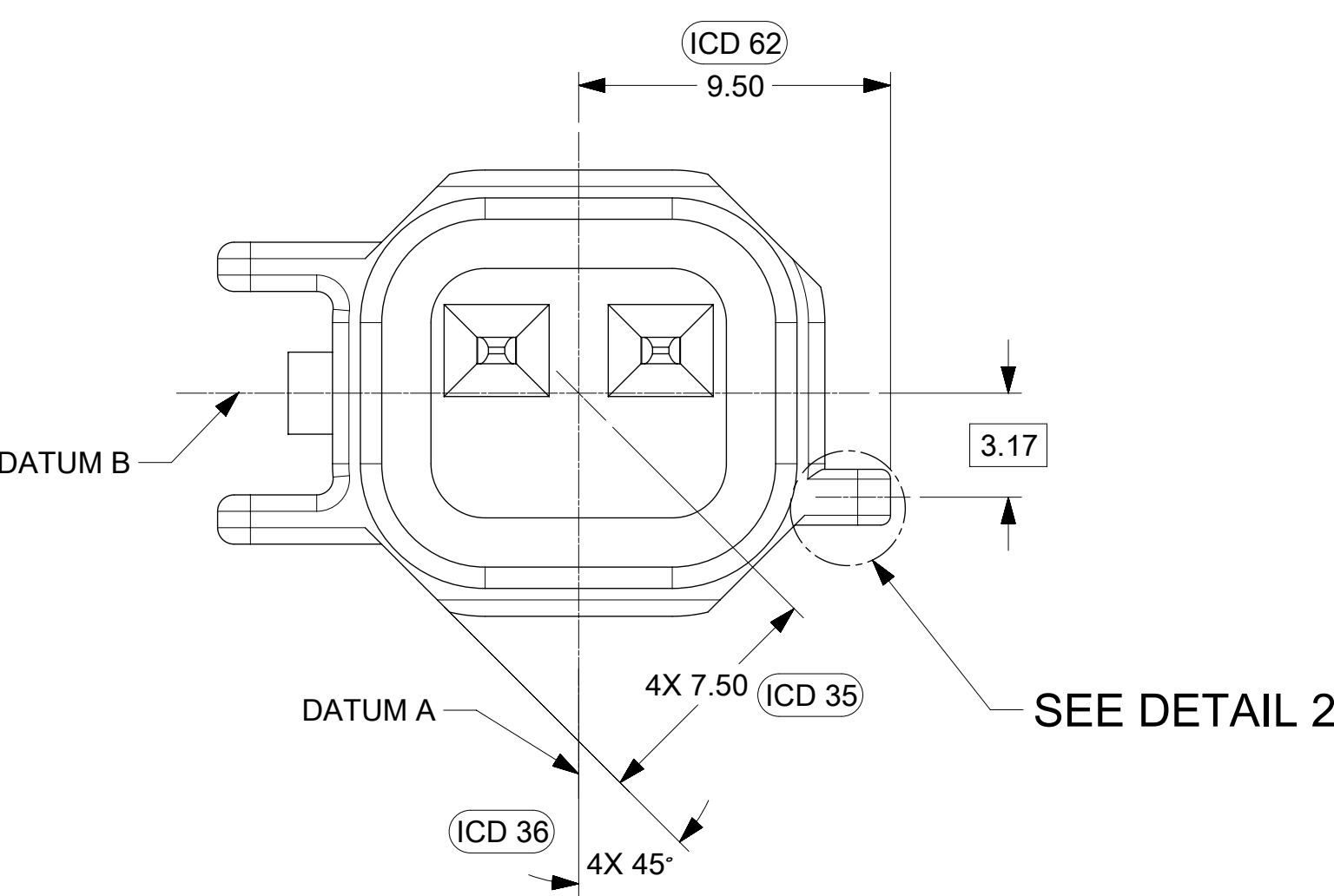
GENERAL MARKET



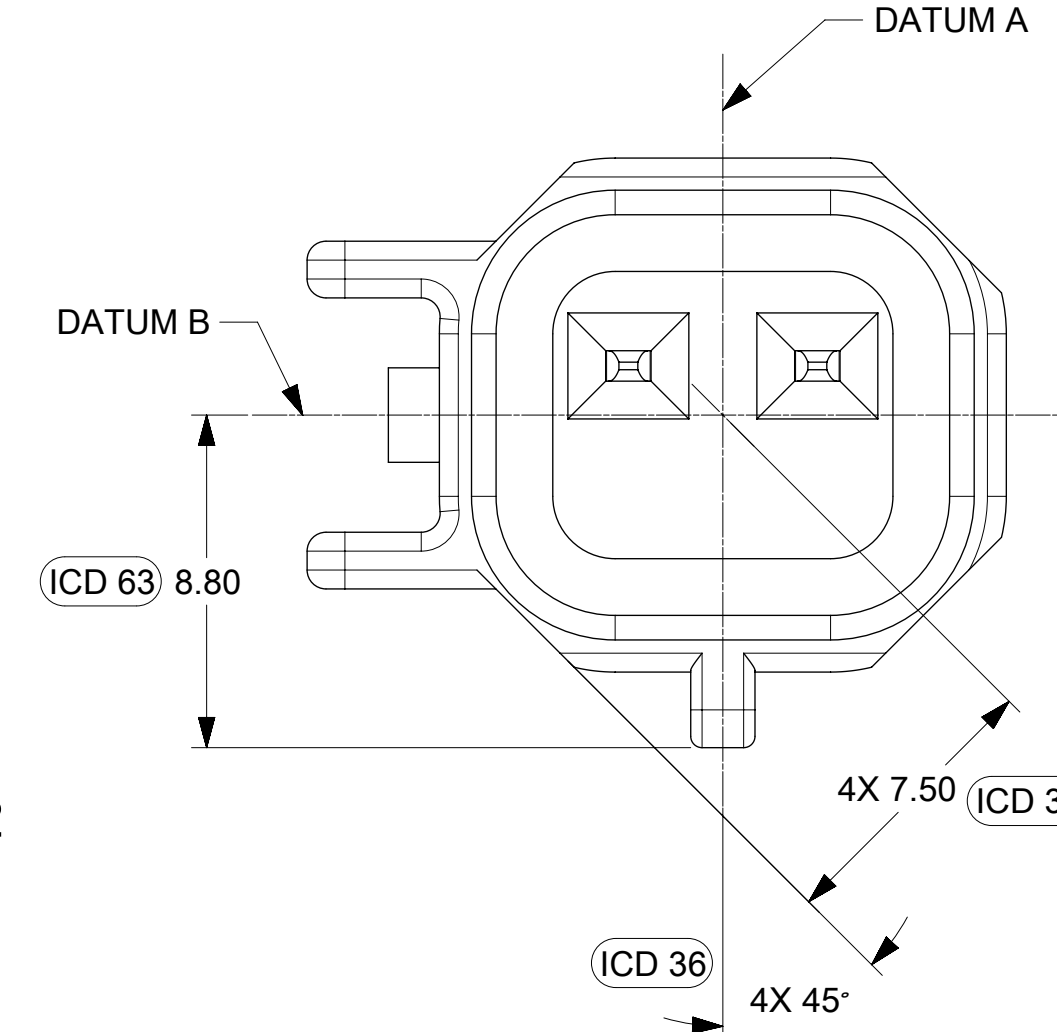
OPTIONS A, C, D
(SAME INTERFACE)



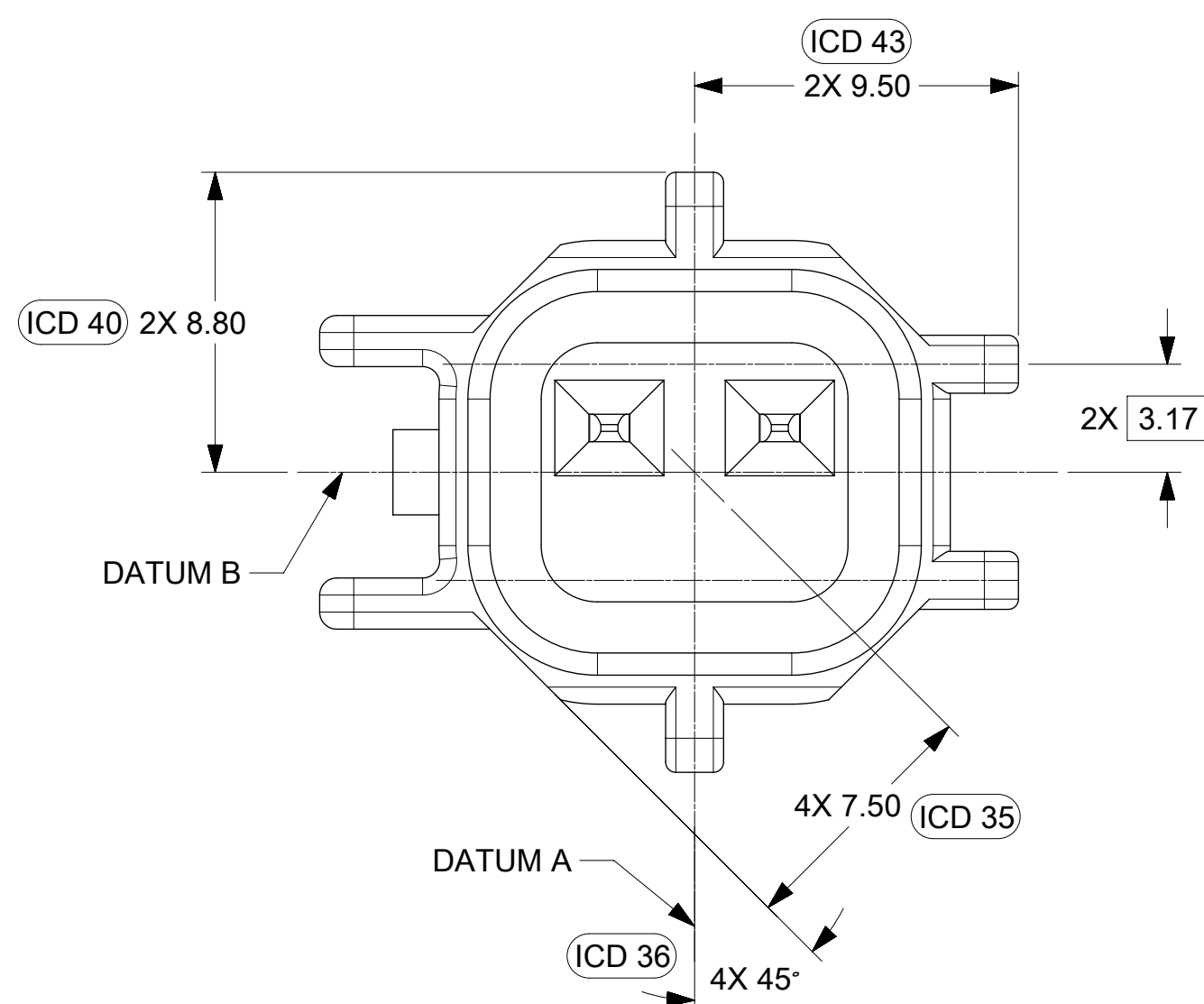
OPTION G



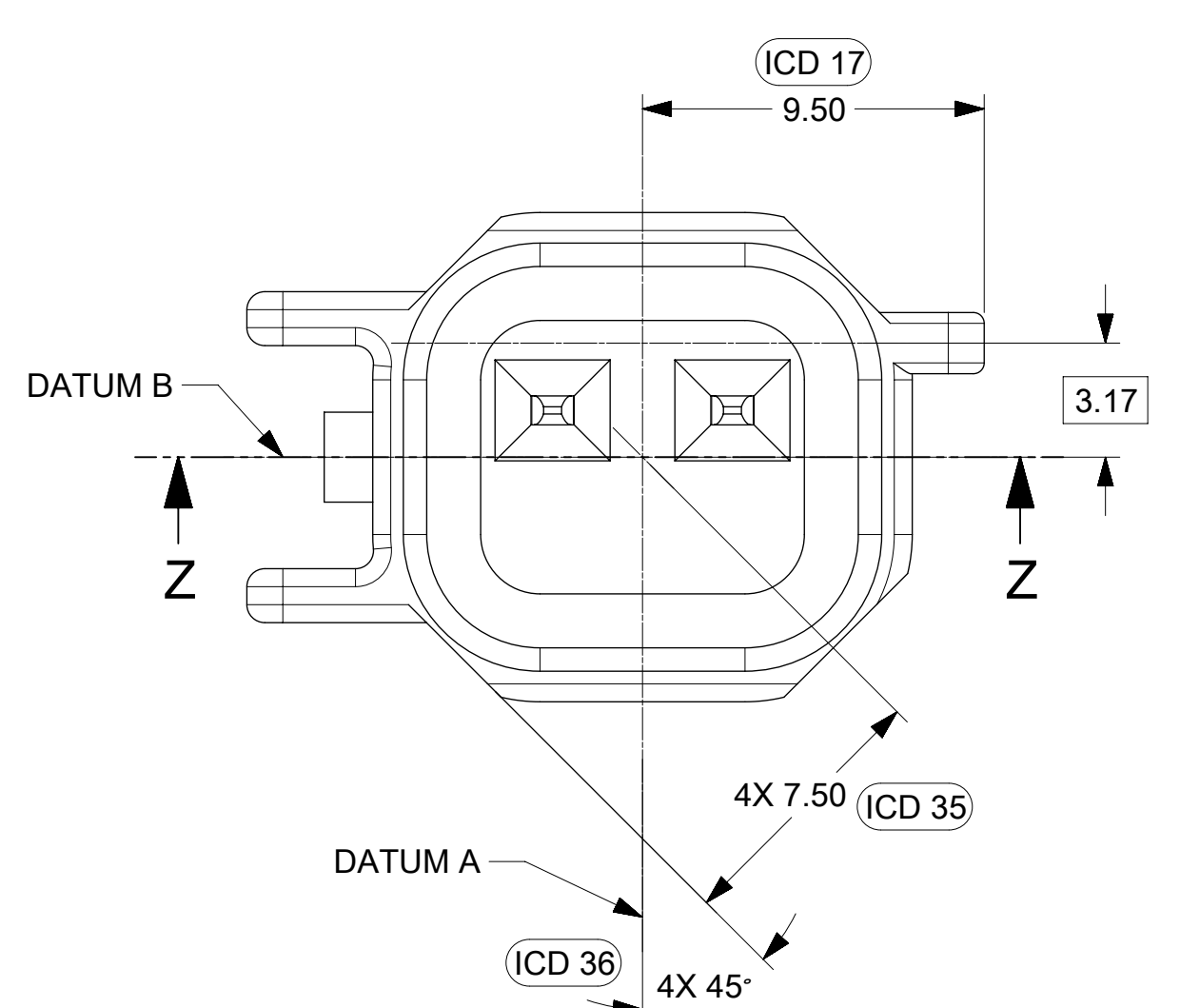
OPTION B



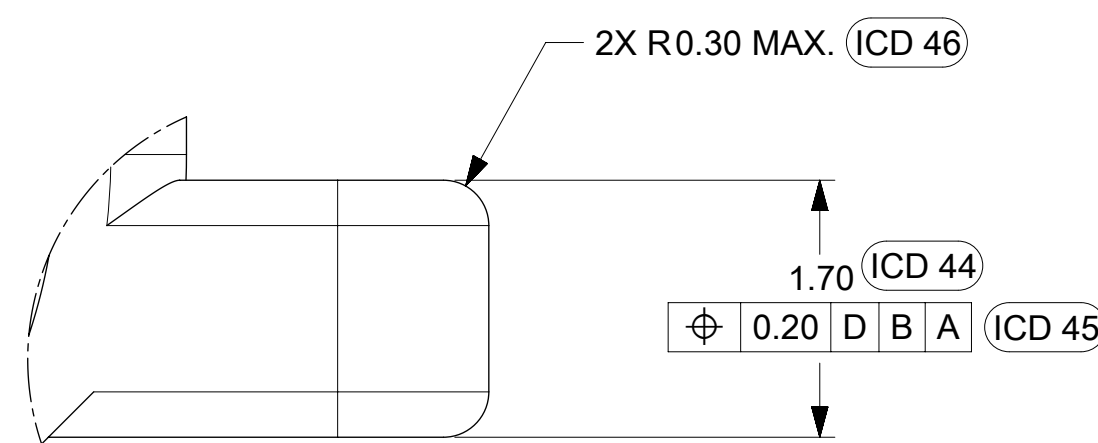
OPTION H



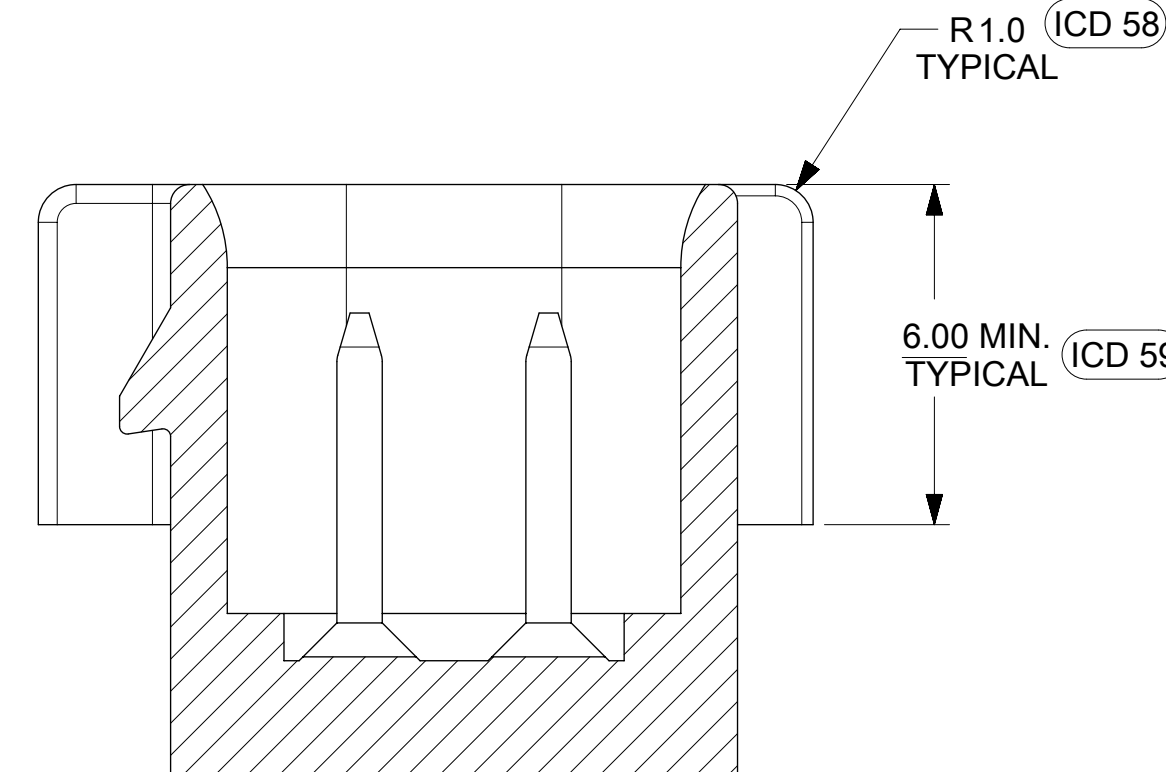
OPTION E



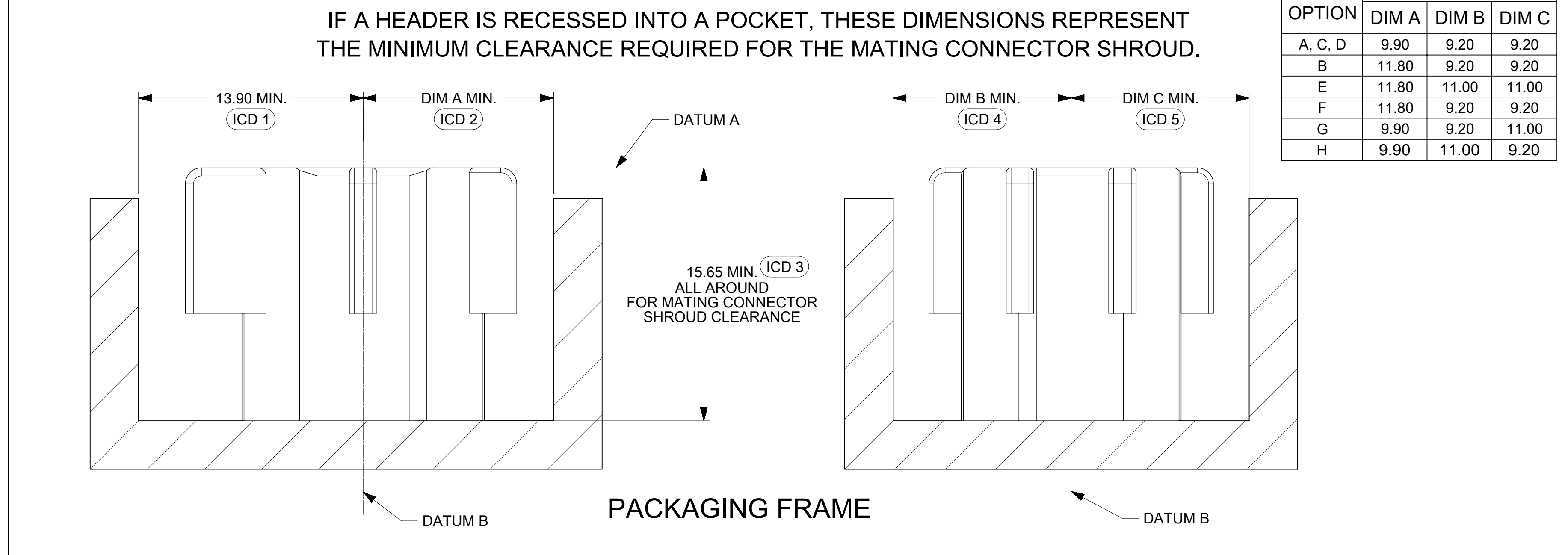
OPTION F



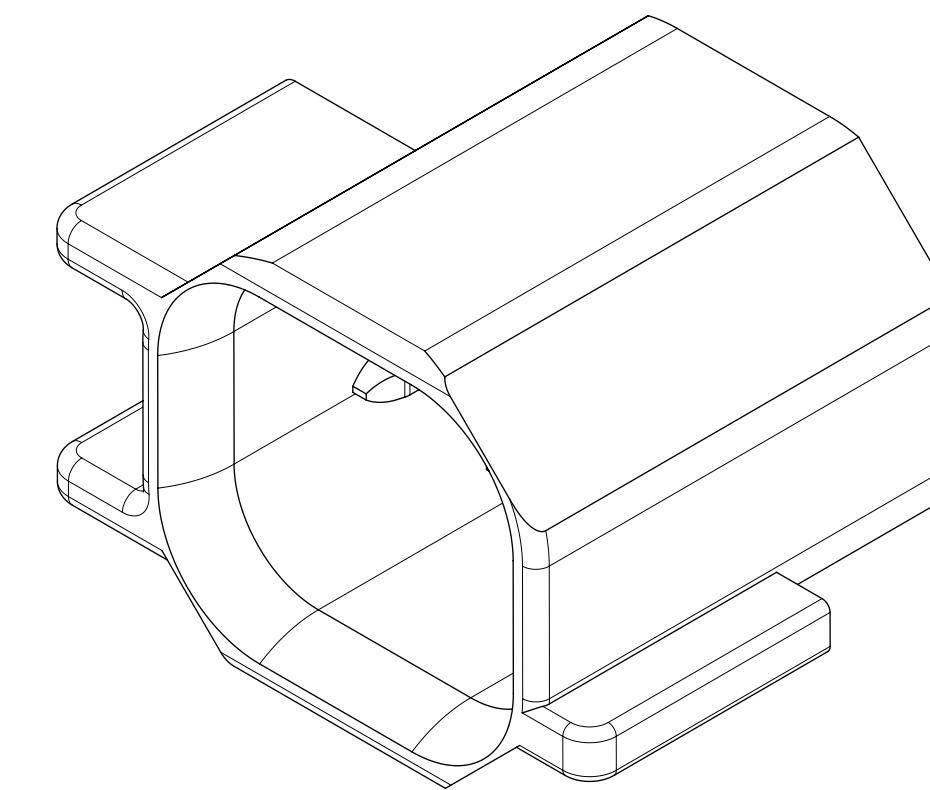
DETAIL 2
SCALE 20:1
TYPICAL
SEE KEYING OPTIONS VIEWS FOR POSITIONS



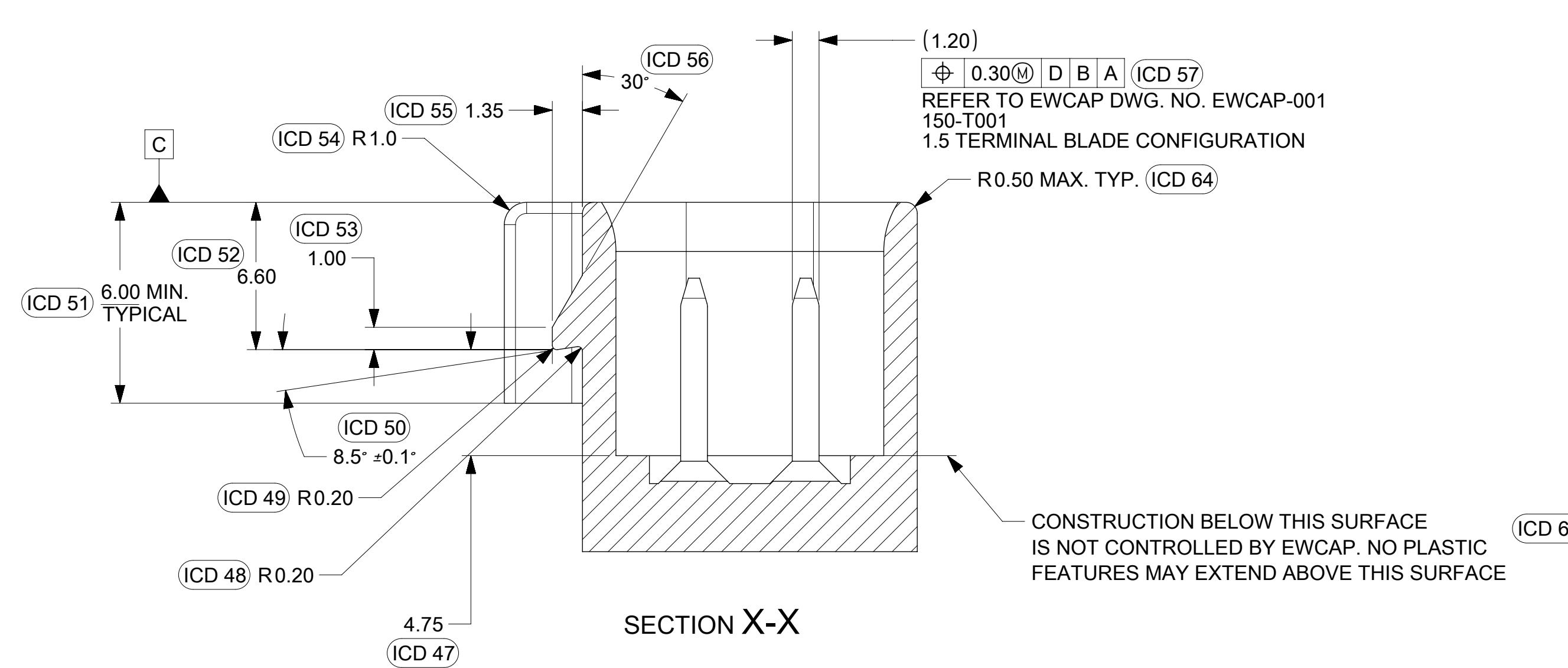
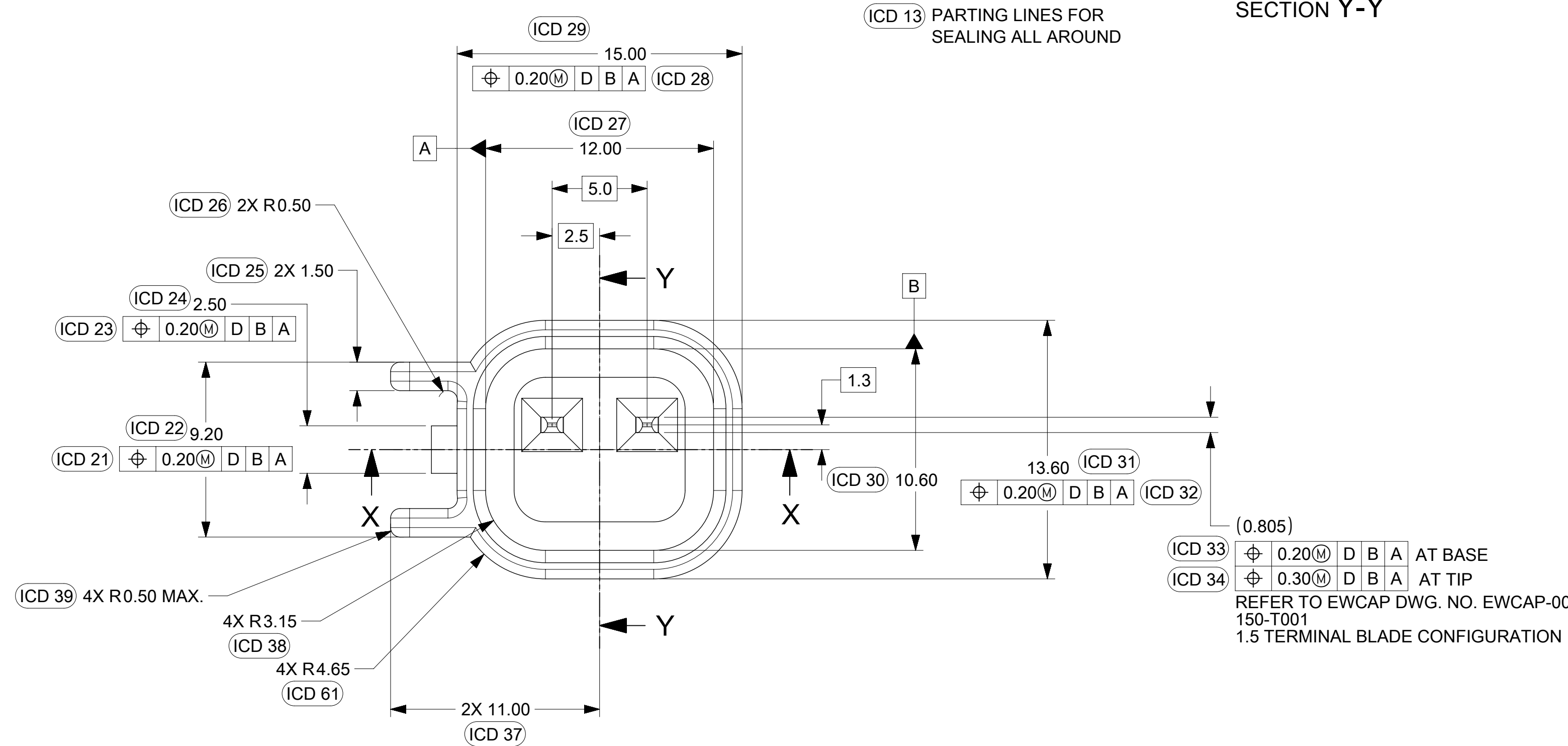
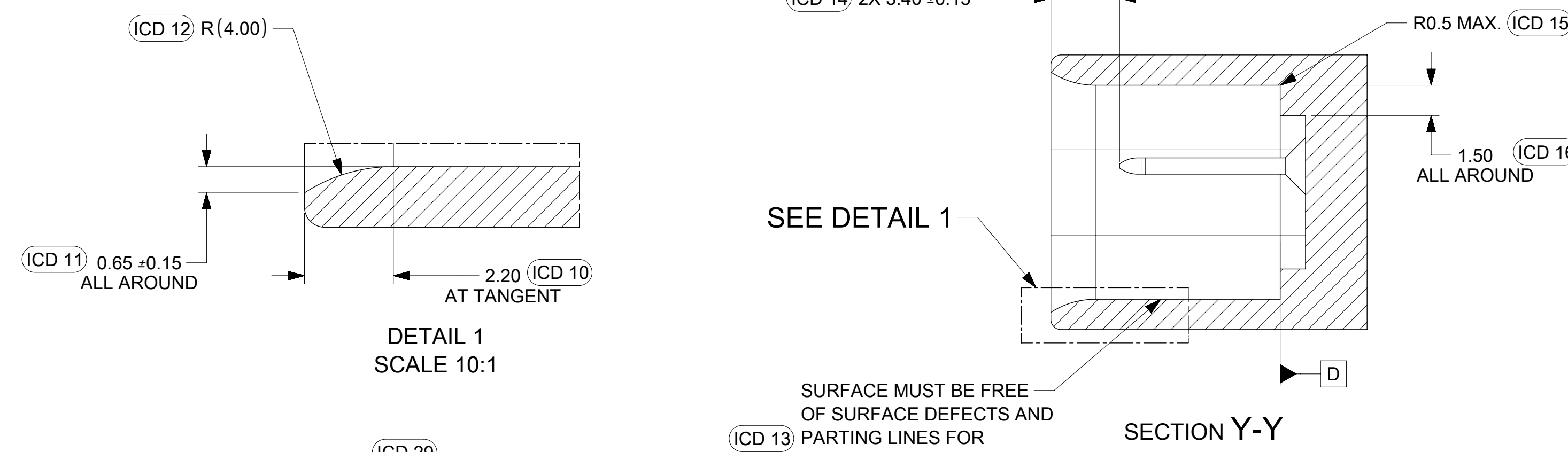
SECTION Z-Z
SEE KEYING OPTION VIEWS FOR POSITIONS



KEY OPTION	DIMENSIONS		
	DIM A	DIM B	DIM C
A, C, D	9.90	9.20	9.20
B	11.80	9.20	9.20
E	11.80	11.00	11.00
F	11.80	9.20	9.20
G	9.90	9.20	11.00
H	9.90	11.00	9.20



OPTION B



NOTES: UNLESS OTHERWISE SPECIFIED

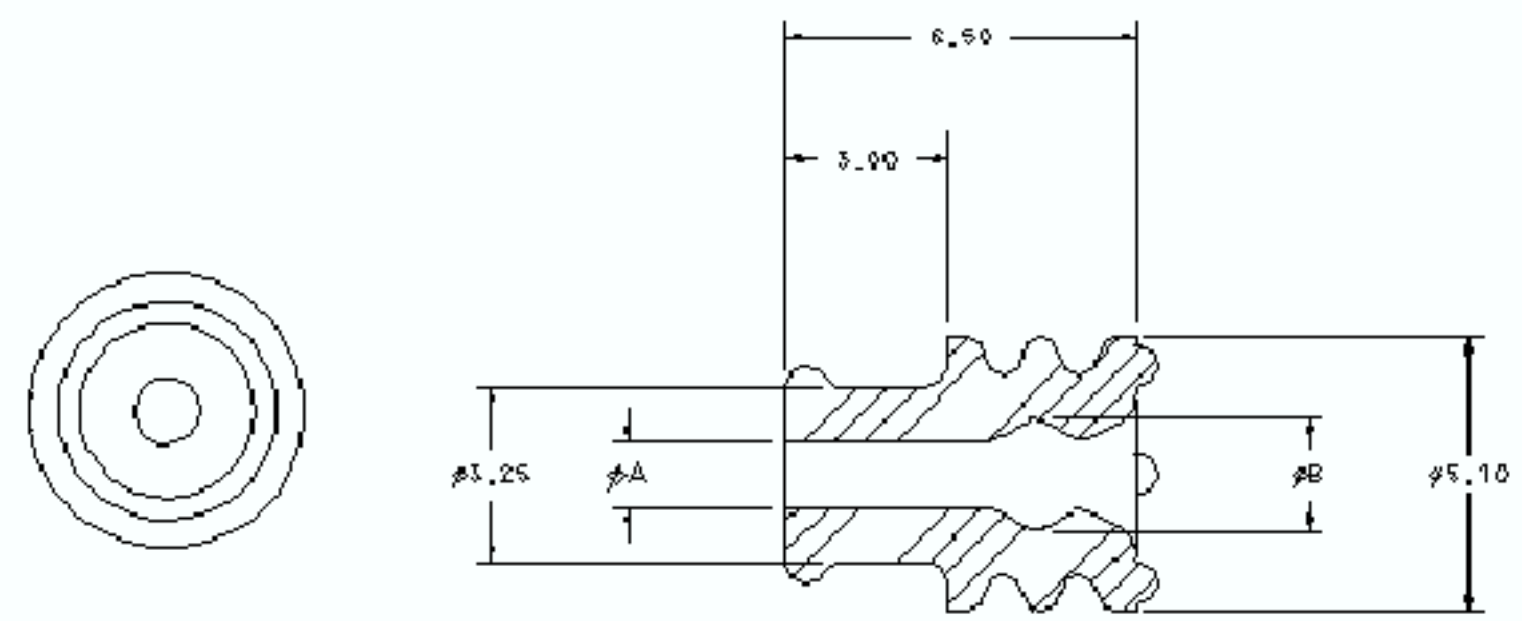
- ALL DIMENSIONS SHOWN IN MILLIMETERS.
- DIMENSIONING AND TOLERANCING PER ASME Y14.5M-1994
- 0.25 RADII ON ALL CORNERS SHOWN SHARP.
- UNSPECIFIED RADII: 0.25 EXCEPT AS NOTED.
- STANDARD COLORS FOR POLARIZATION (SEE CHART). DEVIATION REQUIRES APPROVAL OF AUTHORIZED PERSON.
- REFER TO SAE/USCAR 12 CONNECTOR GUIDELINES FOR ADDITIONAL REQUIREMENTS.
- EXCEPT WHERE NOTED, DRAFT ON OUTSIDE SURFACES IS PERMISSIBLE WITHIN TOLERANCE.
- SYMBOL INDICATES DRAFT DIRECTION.
- FOR TERMINAL MATERIAL, DIMENSIONAL, AND COATING REQUIREMENTS AND ANY BLADE TERMINAL DESIGN INFORMATION NOT SHOWN ON THIS DRAWING SEE EWCAP DWG. NO. EWCAP-001
- A FULL SHROUD ON THE MATING CONNECTOR IS REQUIRED TO ENSURE THAT THE CONNECTOR-HEADER POLARIZATION FEATURES (OPTIONS A THRU H) WILL FUNCTION. THE FULL SHROUD ALSO PREVENTS SCOOP DAMAGE TO THE HEADER PINS. REFER TO SAE/USCAR-12 CONNECTOR DESIGN GUIDE LINES FOR ADDITIONAL INFORMATION.
- REFER TO USCAR/EWCAP PART LIST AS FOUND ON WEBSITE <http://www.uscarteams.org>
- THIS IS A 100% CAD GENERATED PART. THE CAD MATHEMATICAL DATA IS THE MASTER FOR THIS PART. FOR DIMENSIONAL OR ANY INFORMATION NOT SHOWN ON THIS DRAWING, ANALYZE THE CAD MODEL.

QUALITY SYMBOLS		THIS DRAWING CONTAINS INFORMATION THAT IS PROPRIETARY TO MOLEX ELECTRONIC TECHNOLOGIES, LLC AND SHOULD NOT BE USED WITHOUT WRITTEN PERMISSION		DIMENSION UNITS		SCALE	
△ = 0	□ = 0	2017/05/15	2017/06/14	MM	5:1	<p>MX150 2 WAY CABLE SEAL RECEPTACLE CONN. SYSTEM (5.0MM PITCH)</p> <p>PRODUCT CUSTOMER DRAWING</p>	
▽ = 0	◇ = 0	GENERAL TOLERANCES (UNLESS SPECIFIED)		DRWN BY	DATE		
◇ = 0	◇ = 0	ANGULAR TOL ± 3.0 °		KCUNNINGHAM	2011/11/08		
◇ = 0	◇ = 0	4 PLACES	±	CHK'D BY	DATE		
◇ = 0	◇ = 0	3 PLACES	±	MVANSLAMBROU	1/26/2012		
◇ = 0	◇ = 0	2 PLACES	± 0.1	APPR BY	DATE		
◇ = 0	◇ = 0	1 PLACE	± 0.3	KDEKOSKI	2017/06/14		
◇ = 0	◇ = 0	0 PLACES	±	DRAWING SIZE	THIRD ANGLE PROJECTION		
◇ = 0	◇ = 0	DRAFT WHERE APPLICABLE MUST REMAIN WITHIN DIMENSIONS		E	⊕ ⊖		
◇ = 0	◇ = 0	EC NO: 117955 DRWN: PKABBUR CHKD: KDEKOSKI REV APPR: KDEKOSKI		SERIES			
A, C, D BLACK A		B LIGHT GRAY B		34062		N/A	
E BLACK E		F LIGHT GRAY D		DOCUMENT NUMBER		DOC TYPE	
G BLACK C		H LIGHT GRAY F		SD-34062-002		PSD	
OPTION COLOR SIMILAR TO AFL DRAWING R63461 (OPTION GEOMETRY IDENTICAL)		COMMENTS		CUSTOMER		GENERAL MARKET	
RELEASE STATUS		RELEASE DATE		DOC PART		SHEET NUMBER	
				000		5 OF 5	

A, C, D	BLACK	A	
B	LIGHT GRAY	B	
E	BLACK	E	NOT RECOMMENDED MATING CONNECTOR IS UNIVERSAL
F	LIGHT GRAY	D	
G	BLACK	C	
H	LIGHT GRAY	F	
OPTION	COLOR	SIMILAR TO AFL DRAWING R63461 (OPTION GEOMETRY IDENTICAL)	COMMENTS
RELEASE STATUS	RELEASE DATE		



SCALE 3:1



SECTION A--A

- 1) CRITICAL DIMENSION
 - 2) UNLESS OTHERWISE NOTED, TOLERANCE, FINISH AND FLASH TO CONFORM TO FIG. 42-F2-T 0.4.
 - 3) SPECIFICATION: ASTM D2000 MICROMETER TEST METHOD D11 Z1 - Z5
 - Z1- HARDSNESS, SHORE-J, 125°C
 - Z2- MODULUS AT 100% ELONGATION, DIE-C, 25 TO 100 PSI
 - Z3- HEAT RESISTANCE, ASTM D371, TO BE PERFORMED FOR 1000H AT 150°C
 - Z4- COMPRESSION SET, ASTM D371, METHOD-B, 20% AT 180°C, 168 HRS.
 - Z5- FLUID RESISTANCE, ASTM D471, 100% AT 27°C, 100% METHANOL
- HARDSNESS CHANGE : 0 TO -12 POINTS MAX.
 TENSILE STRENGTH CHANGE : -50% MAX.
 ELONGATION CHANGE : -50% MAX.
 VOLUME CHANGE : 0 TO +15% MAX.

DATE	REV	RELEASED	JAS
05/13/02	A	REVISED	DRAWN
QUALITY SYNTHETIC RUBBER, INC.			
UNLESS OTHERWISE SPECIFIED, DIMENSIONS ARE IN MILLIMETERS		TOLERANCES ARE:	
DECIMALS	ANGLES	ORIGINAL WHEN P.D.	
0.10	0.5	APPROVALS	DATE
DO NOT SCALE DRAWING		DRAWN	5/13/02
COMPOND	A4011+	CHECKED	
DWG FILE	S:\YASAKI\E1644	TITLE TRNG	
PART NO. (FAB.)	016 01 116 1	APPROVED BY (P.D.)	
NAME: CABLE SEAL (1.5 TERMINAL SYSTEM)			
PART NUMBER: E-1644-##			
MATERIAL: SILICONE RUBBER - SEE NOTE 3			
MOLD NUMBER: SEE TABLE			
SCALE	SIZE	DRAWING NUMBER	SHEET
10:1	A2	A-0055	1 OF 1

E-1644-02	7157-3337-70	1.65	2.40	YELLOW	2.18 - 2.70	2197
E-1644-01	7157-3379-50	0.90	1.65	PINK	1.19 - 1.70	2071
E-1644-00	7157-3336-60	1.25	2.10	GREEN	1.60 - 2.10	1934, 2012, 2066, 2046
QSR PART #	YASAKI PART #	'A'	'B'	COLOR	FOR CABLE O.D.	QSR MOLD #

THIS DRAWING AND/OR ELECTRONIC FILE, AND THE DESIGN HEREON, CONSTITUTES A PROPRIETARY DESIGN OF QUALITY SYNTHETIC RUBBER, INC. AND IS NOT TO BE DUPLICATED OR REPRODUCED.

34753-0003	E-1644-02
34753-0002	E-1644-01
34753-0001	E-1644-00
MOLEX P/N	QSR P/N

ENTER DESCRIPTION EC NO: DRWN: DGRIFITHS 2008/07/31 CHKD: MVANSLAMBROU APPR:	DESCRIPTION REV	QUALITY SYMBOLS	GENERAL TOLERANCES (UNLESS SPECIFIED)	DIMENSION STYLE	SCALE	DESIGN UNITS	THIRD ANGLE PROJECTION	
		▼=0 ▽=0	mm INCH 4 PLACES ± --- ± --- 3 PLACES ± --- ± --- 2 PLACES ± 0.10 ± --- 1 PLACE ± 0.2 ± --- ANGULAR ± 3°	MM ONLY	4:1	METRIC	DRAWN BY: DGRIFITHS DATE: 07-31-08 CHECKED BY: MVANSLAMBROU DATE: 07-31-08 APPROVED BY: KOSHY DATE: 07-31-08	TITLE: CABLE SEAL (1.5 TERMINAL SYSTEM) CHARTED MOLEX INCORPORATED
		DRAFT WHERE APPLICABLE MUST REMAIN WITHIN DIMENSIONS	SEE TABLE	MATERIAL NO. SEE TABLE DOCUMENT NO. SD-34753-001 SHEET NO. 1 OF 1				
		THIS DRAWING CONTAINS INFORMATION THAT IS PROPRIETARY TO MOLEX INCORPORATED AND SHOULD NOT BE USED WITHOUT WRITTEN PERMISSION						