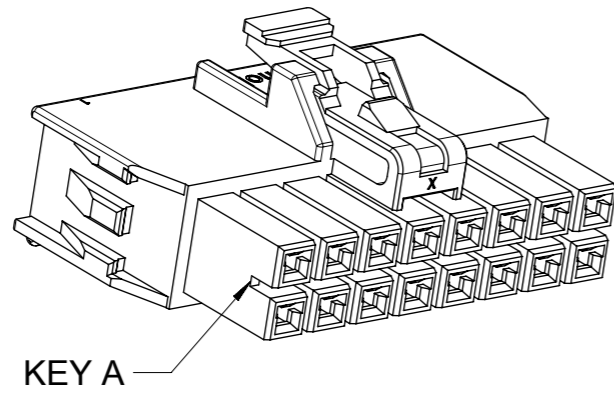


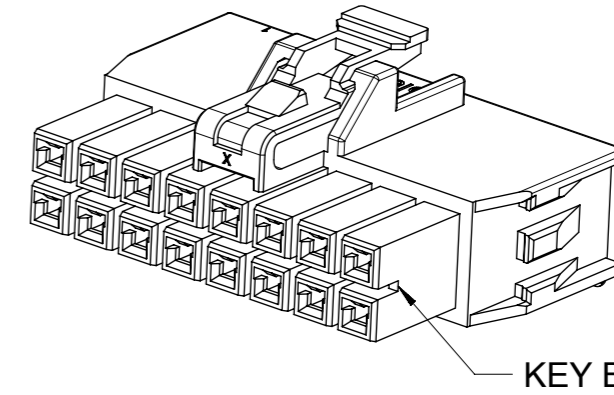
NOTES:

- MATERIAL:
 OPTION 1: PA4T, 30% GLASS FILLED, 94V-0, BLACK
 OPTION 2: PA4T, 30 GLASS FILLED, 94V-0, NATUAL.
- PRODUCT SPECIFICATION: PS-105300-100.
- PACKAGE SPECIFICATION: PK-105308-100.
- THE COMPONENT COMPLIANT TO RoHS DIRECTIVE 2011/65/EU AND ELV DIRECTIVE 2000/53/EC.
- TO MATE WITH TERMINAL OF 105300-****.
 TO MATE WITH TPA OF 105325-****.
 TO MATE WITH HEADER OF 105310-****, 105312-**** AND 105314-****.
- PARTS CONFORM TO CLASS 'B' REQUIREMENTS OF COSMETIC SPECIFICATION PS-45499-002.
- APPLICATION SPECIFICATION: AS-105300-100.

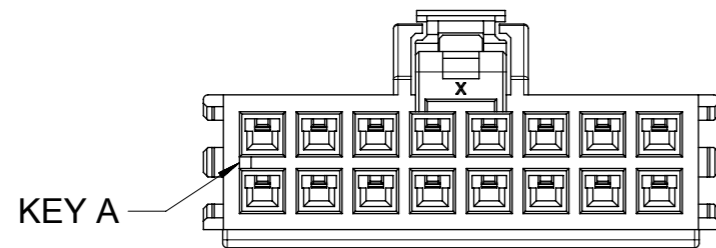
THIS DRAWING CONTAINS INFORMATION THAT IS PROPRIETARY TO MOLEX ELECTRONIC TECHNOLOGIES, LLC AND SHOULD NOT BE USED WITHOUT WRITTEN PERMISSION														
QUALITY SYMBOLS	2018/04/03 2018/04/23 2018/04/23	GENERAL TOLERANCES (UNLESS SPECIFIED)		DIMENSION UNITS	SCALE									
		ANGULAR TOL ± 3.0 °		mm	3:1									
▽A = 0	EC NO: 174537 DRWN: GLLI CHK'D: AYIN REV APPR: AYIN	4 PLACES ±	DRWN BY	DATE										
▽E = 0		3 PLACES ±		GLLI	2014/08/13									
▽B = 0		2 PLACES ± 0.2	CHK'D BY		DATE		RECEPTACLE OF NANO-FIT, D/R, TPA POWER CONNECTOR							
▼ = 0		1 PLACE ± 0.3	APPR BY		DATE									
▽C = 0		0 PLACES ±	DRAFT WHERE APPLICABLE MUST REMAIN WITHIN DIMENSIONS		DRAWING SIZE		THIRD ANGLE PROJECTION		PRODUCT CUSTOMER DRAWING					
⊠ = 0		A3	D		A3									
■ = 0	REV	D		A3		A3		SERIES: 105308 MATERIAL NUMBER: SEE SHEET 4 CUSTOMER: GENERAL MARKET						
▽ = 0	REV	D		A3		A3		DOCUMENT NUMBER: SD-105308-100 DOC TYPE: PSD DOC PART: 000 SHEET NUMBER: 1 OF 4						



KEY A

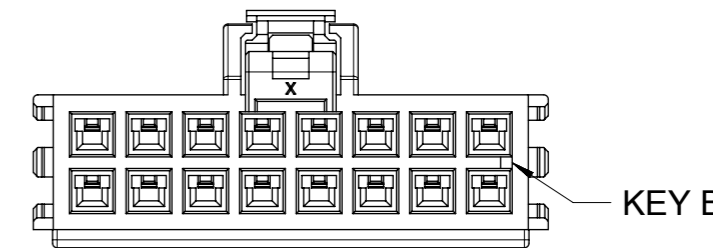


KEY B



KEY A


BLACK



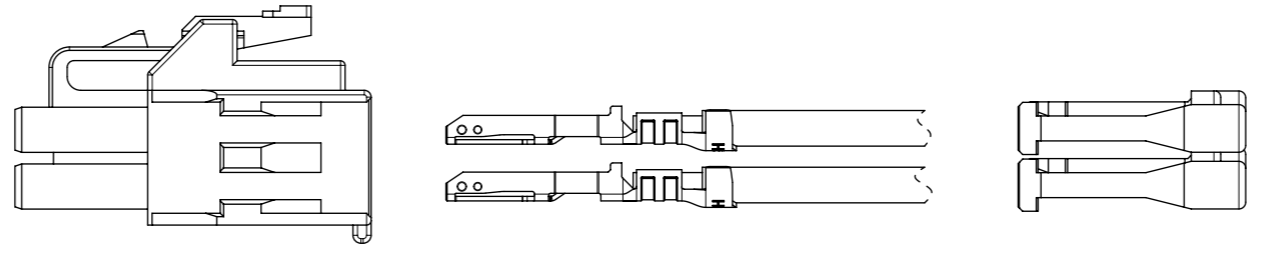
KEY B

NATURAL

COLOR OPTION

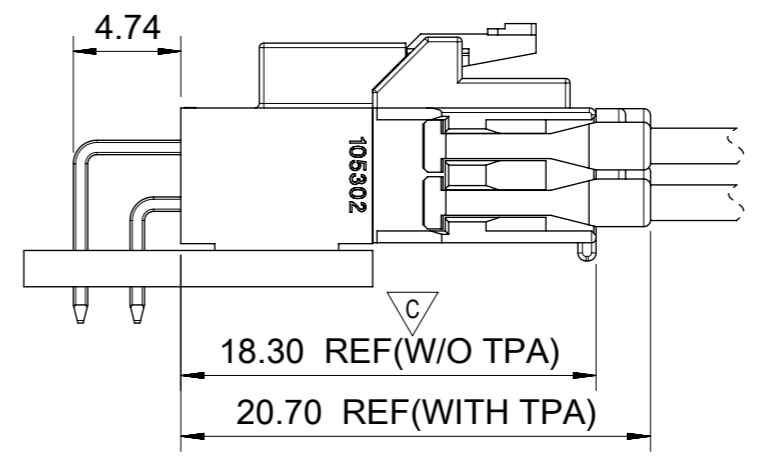
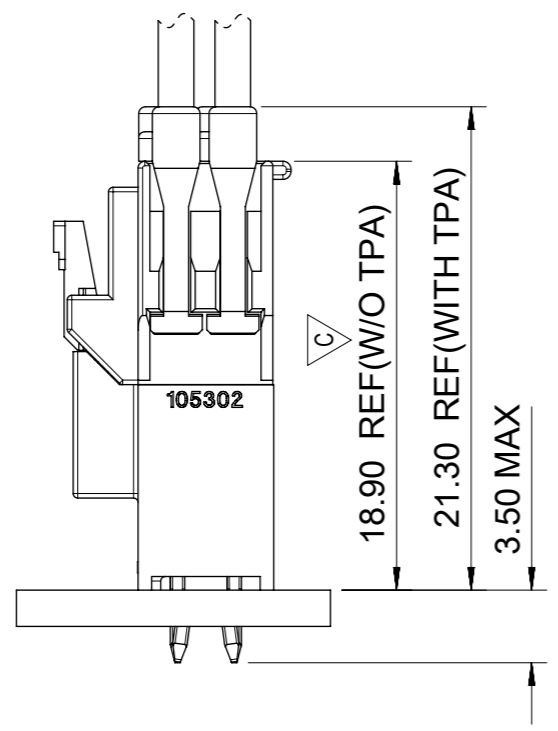
THIS DRAWING CONTAINS INFORMATION THAT IS PROPRIETARY TO MOLEX ELECTRONIC TECHNOLOGIES, LLC AND SHOULD NOT BE USED WITHOUT WRITTEN PERMISSION												
QUALITY SYMBOLS ▽A = 0 ▽E = 0 ▽F = 0 ▼ = 0 ▽C = 0 ⊠ = 0 ■ = 0 ▽ = 0		EC NO: 174537 DRWN: GLLI CHK'D: AYIN REV APPR: AYIN			2018/04/03 2018/04/23 2018/04/23		GENERAL TOLERANCES (UNLESS SPECIFIED) ANGULAR TOL ± 3.0 ° 4 PLACES ± 3 PLACES ± 2 PLACES ± 0.2 1 PLACE ± 0.3 0 PLACES ±		DIMENSION UNITS: mm SCALE: 3:1		 RECEPTACLE OF NANO-FIT, D/R, TPA POWER CONNECTOR	
		DRAFT WHERE APPLICABLE MUST REMAIN WITHIN DIMENSIONS		DRWN BY: GLLI DATE: 2014/08/13		DRWN BY: GLLI DATE: 2014/08/13		APPR BY: AYIN DATE: 2015/04/08		PRODUCT CUSTOMER DRAWING		
RELEASE STATUS: P1 RELEASE DATE: 2018/04/23 06:47:55				EC NO: 174537 DRWN: GLLI CHK'D: AYIN REV APPR: AYIN		DRAFT WHERE APPLICABLE MUST REMAIN WITHIN DIMENSIONS		DIMENSION UNITS: A3 THIRD ANGLE PROJECTION		SERIES: 105308 MATERIAL NUMBER: SEE SHEET 4 CUSTOMER: GENERAL MARKET		
				EC NO: 174537 DRWN: GLLI CHK'D: AYIN REV APPR: AYIN		DRAFT WHERE APPLICABLE MUST REMAIN WITHIN DIMENSIONS		DIMENSION UNITS: A3 THIRD ANGLE PROJECTION		DOCUMENT NUMBER: SD-105308-100 DOC TYPE: PSD DOC PART: 000 SHEET NUMBER: 2 OF 4		

E



TERMINAL AND TPA ORIENTATION

D

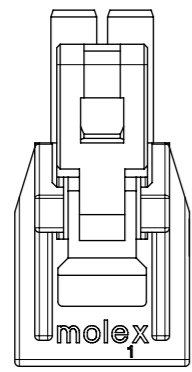


C

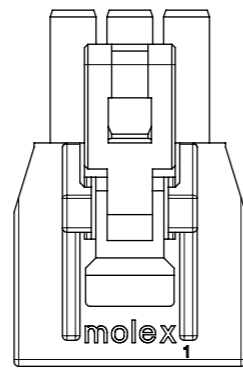
B

A

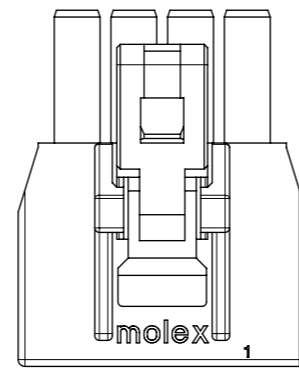
QUALITY SYMBOLS ▽A = 0 ▽E = 0 ▽F = 0 ▼ = 0 ▽C = 0 ⊗ = 0 ■ = 0 ▽ = 0	THIS DRAWING CONTAINS INFORMATION THAT IS PROPRIETARY TO MOLEX ELECTRONIC TECHNOLOGIES, LLC AND SHOULD NOT BE USED WITHOUT WRITTEN PERMISSION										
	2018/04/03	GENERAL TOLERANCES (UNLESS SPECIFIED)			DIMENSION UNITS	SCALE					
	2018/04/23	ANGULAR TOL ± 3.0 °			mm	3:1					
	2018/04/23	4 PLACES	±		DRWN BY	DATE	RECEPTACLE OF NANO-FIT, D/R, TPA POWER CONNECTOR				
		3 PLACES	±		GLLI	2014/08/13					
		2 PLACES	±	0.2	CHK'D BY	DATE	PRODUCT CUSTOMER DRAWING				
		1 PLACE	±	0.3	APPR BY	DATE					
		0 PLACES	±		AYIN	2015/04/08	SERIES	MATERIAL NUMBER	CUSTOMER		
		DRAFT WHERE APPLICABLE MUST REMAIN WITHIN DIMENSIONS			DRAWING SIZE	THIRD ANGLE PROJECTION	105308	SEE SHEET 4	GENERAL MARKET		
					A3		DOCUMENT NUMBER		DOC TYPE	DOC PART	SHEET NUMBER
						SD-105308-100	PSD	000	3 OF 4		



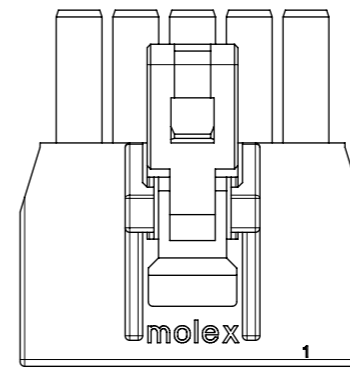
4 CKT



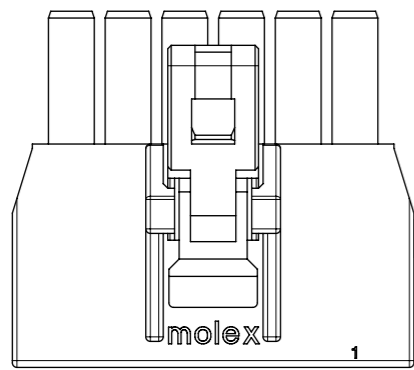
6 CKT



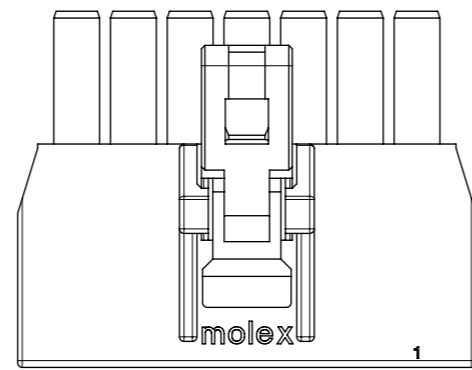
8 CKT



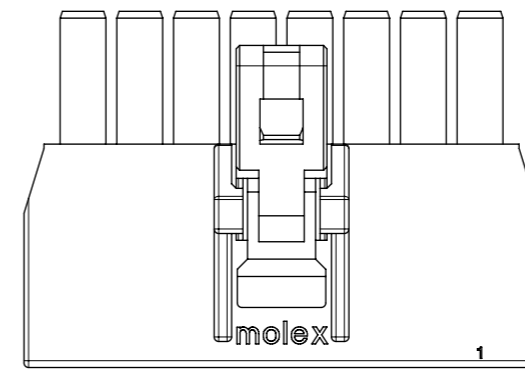
10 CKT



12 CKT



14 CKT



16 CKT

WITH TPA FEATURE			
PART No	DIM 'A'	CKT SIZE	COLOR
105308-1204	7.70	4	BLACK (KEY A)
105308-1206	10.20	6	
105308-1208	12.70	8	
105308-1210	15.20	10	
105308-1212	17.70	12	
105308-1214	20.20	14	
105308-2204	7.70	4	NATURAL (KEY B)
105308-2206	10.20	6	
105308-2208	12.70	8	
105308-2210	15.20	10	
105308-2212	17.70	12	
105308-2214	20.20	14	
105308-2216	22.70	16	

105308- * * * *

CIRCUIT SIZE

TPA OPTION: 1 - STANDARD
2 - WITH TPA

COLOR OPTION: 1 - BLACK
2 - NATURAL

THIS DRAWING CONTAINS INFORMATION THAT IS PROPRIETARY TO MOLEX ELECTRONIC TECHNOLOGIES, LLC AND SHOULD NOT BE USED WITHOUT WRITTEN PERMISSION													
QUALITY SYMBOLS	2018/04/03 DRWN: GLLI	2018/04/23 CHK'D: AYIN	2018/04/23 APPR: AYIN	GENERAL TOLERANCES (UNLESS SPECIFIED)		DIMENSION UNITS	SCALE						
				ANGULAR TOL ± 3.0 °		mm	3:1						
▽A = 0	EC NO: 174537	DRWN: GLLI	CHK'D: AYIN	APPR: AYIN	4 PLACES ±	DRWN BY	DATE	RECEPTACLE OF NANO-FIT, D/R, TPA POWER CONNECTOR					
▽E = 0					3 PLACES ±							GLLI	2014/08/13
▽F = 0					2 PLACES ± 0.2	CHK'D BY	DATE	PRODUCT CUSTOMER DRAWING					
▽ = 0					1 PLACE ± 0.3							AYIN	2015/04/08
▽ = 0					0 PLACES ±	DRAFT WHERE APPLICABLE MUST REMAIN WITHIN DIMENSIONS		DRAWING SIZE	THIRD ANGLE PROJECTION	SERIES	MATERIAL NUMBER	CUSTOMER	
▽ = 0						A3		105308	SEE CHART	GENERAL MARKET			
▽ = 0				DOCUMENT NUMBER		DOC TYPE	DOC PART	SHEET NUMBER					
				SD-105308-100		PSD	000	4 OF 4					