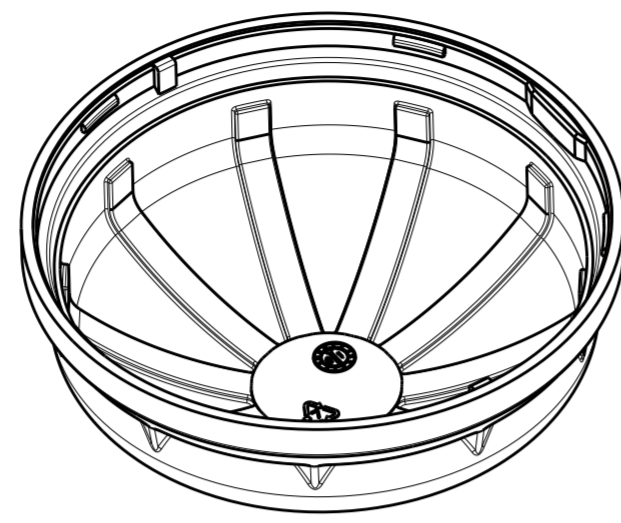
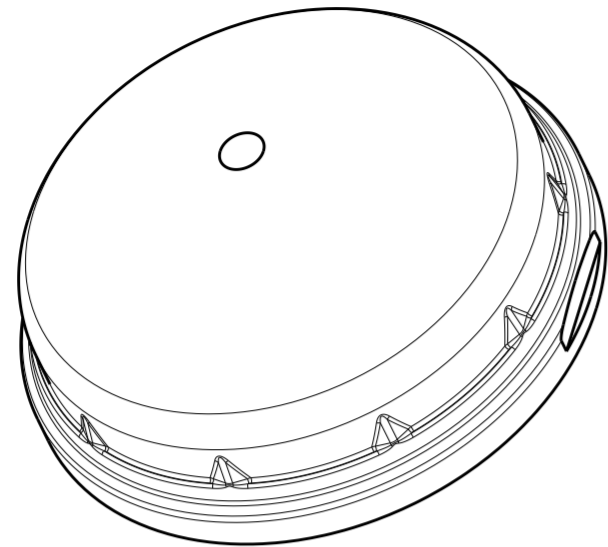
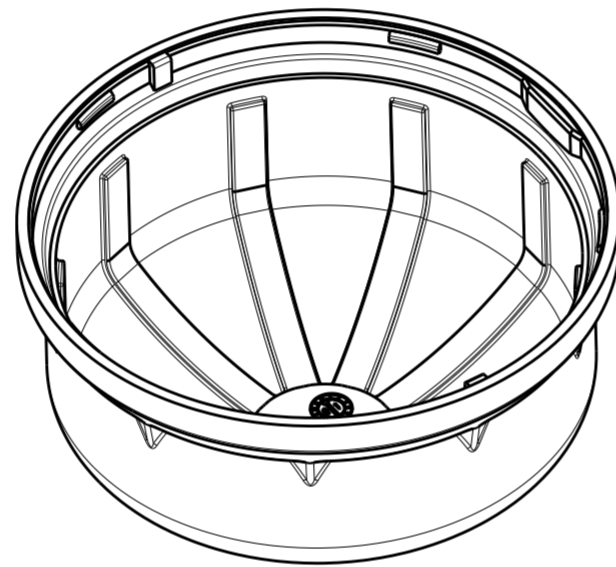
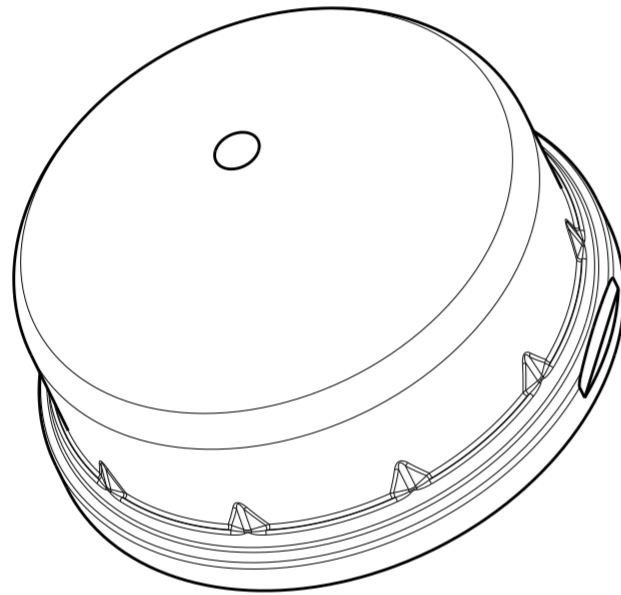


THIS DRAWING IS UNPUBLISHED. RELEASED FOR PUBLICATION
 © COPYRIGHT copyright.dBTe- ALL RIGHTS RESERVED.

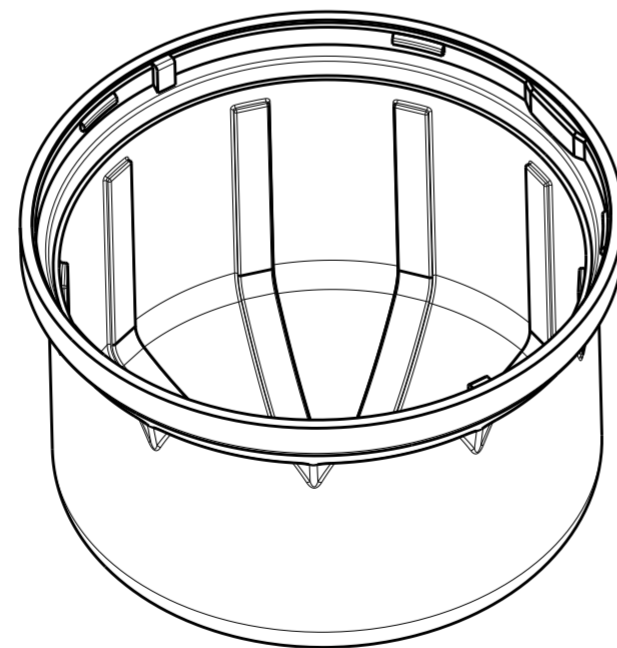
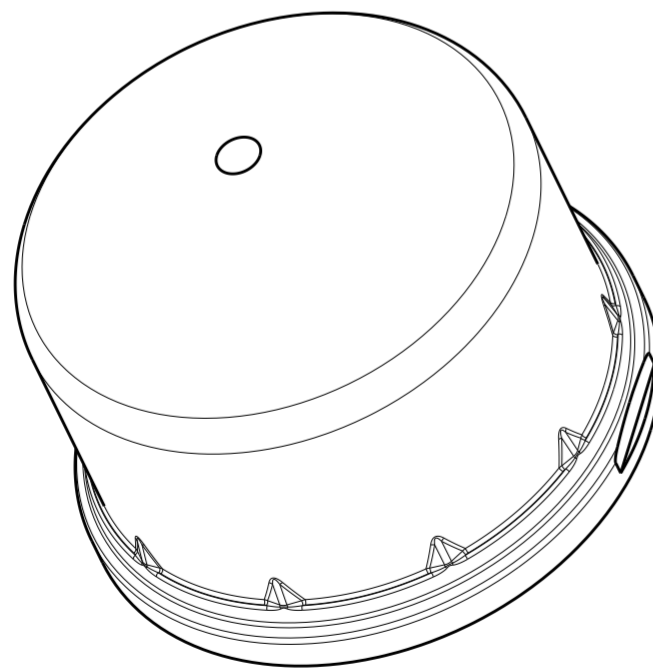
REVISIONS				
P	LTR	DESCRIPTION	DATE	APVD
3		UPDATED	04SEP2018	MM MM
A		REVISED PER ECR-18-017862	22NOV2018	SR DD



2328823-1 AND 1-2328823-1
SHOWN



2328823-2 AND 1-2328823-2
SHOWN



2328823-3 AND 1-2328823-3
SHOWN

NOTES:

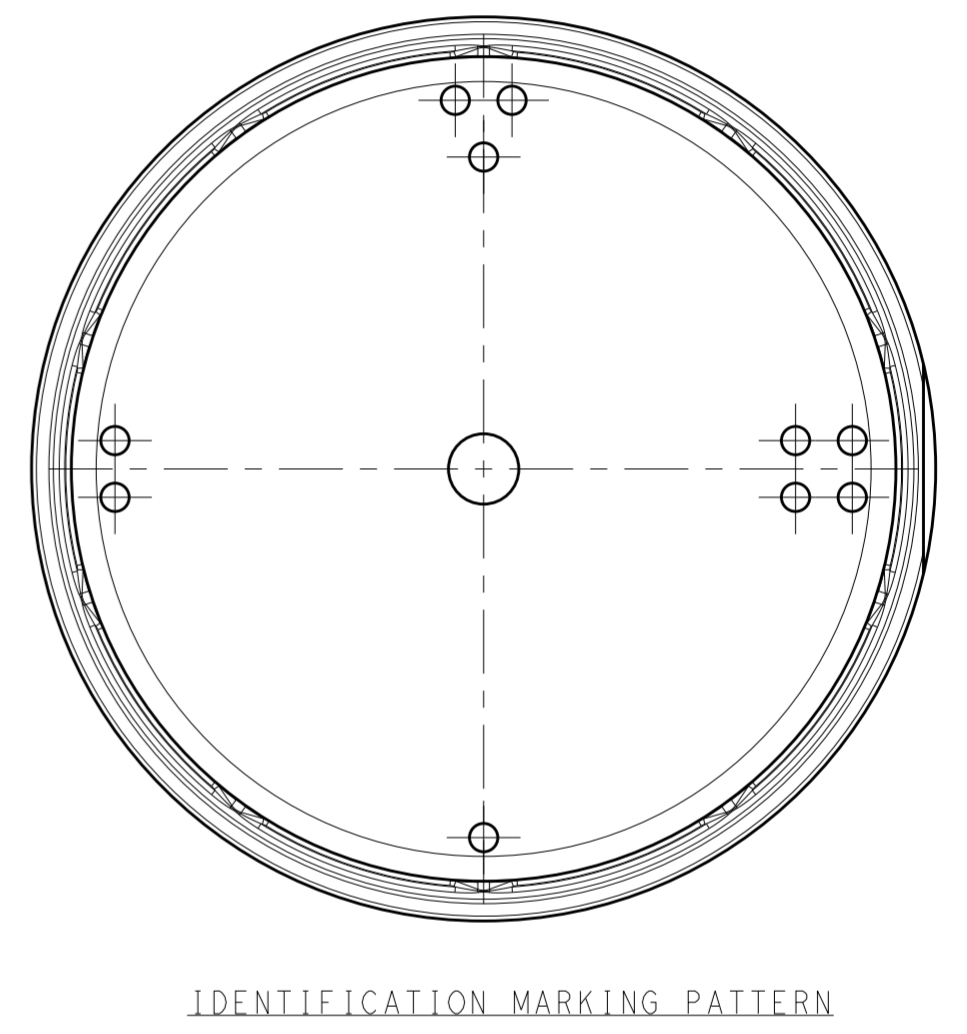
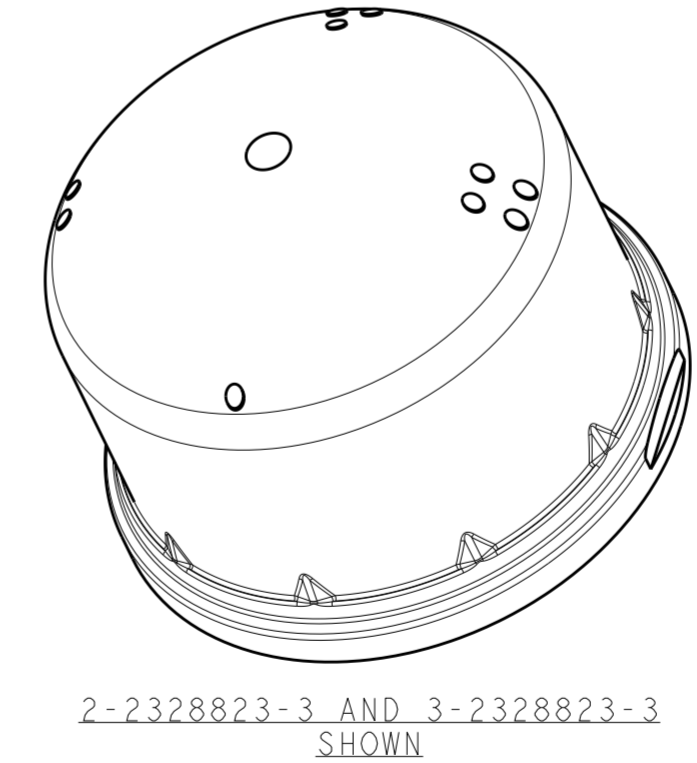
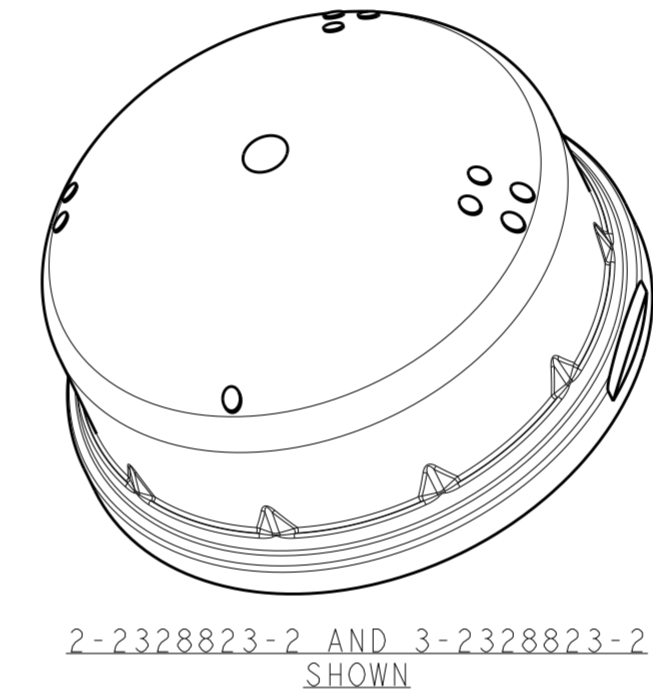
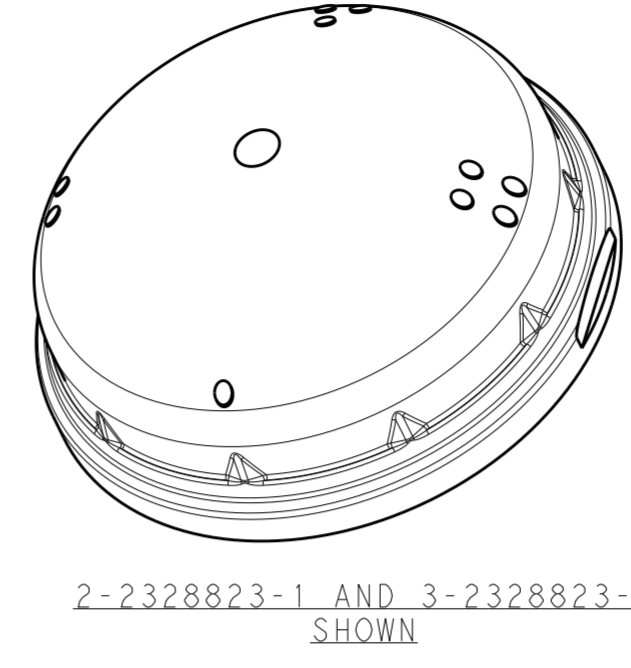
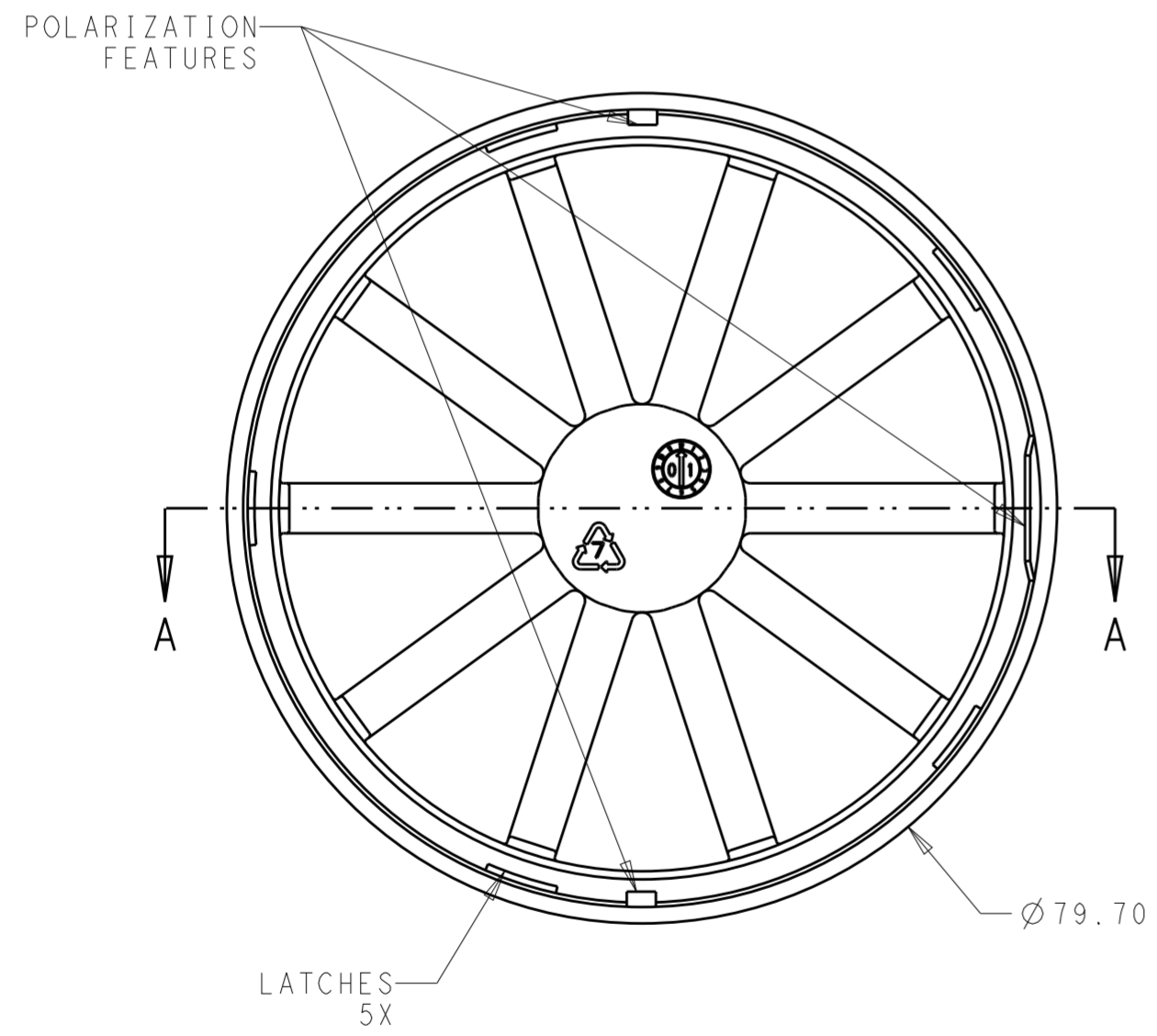
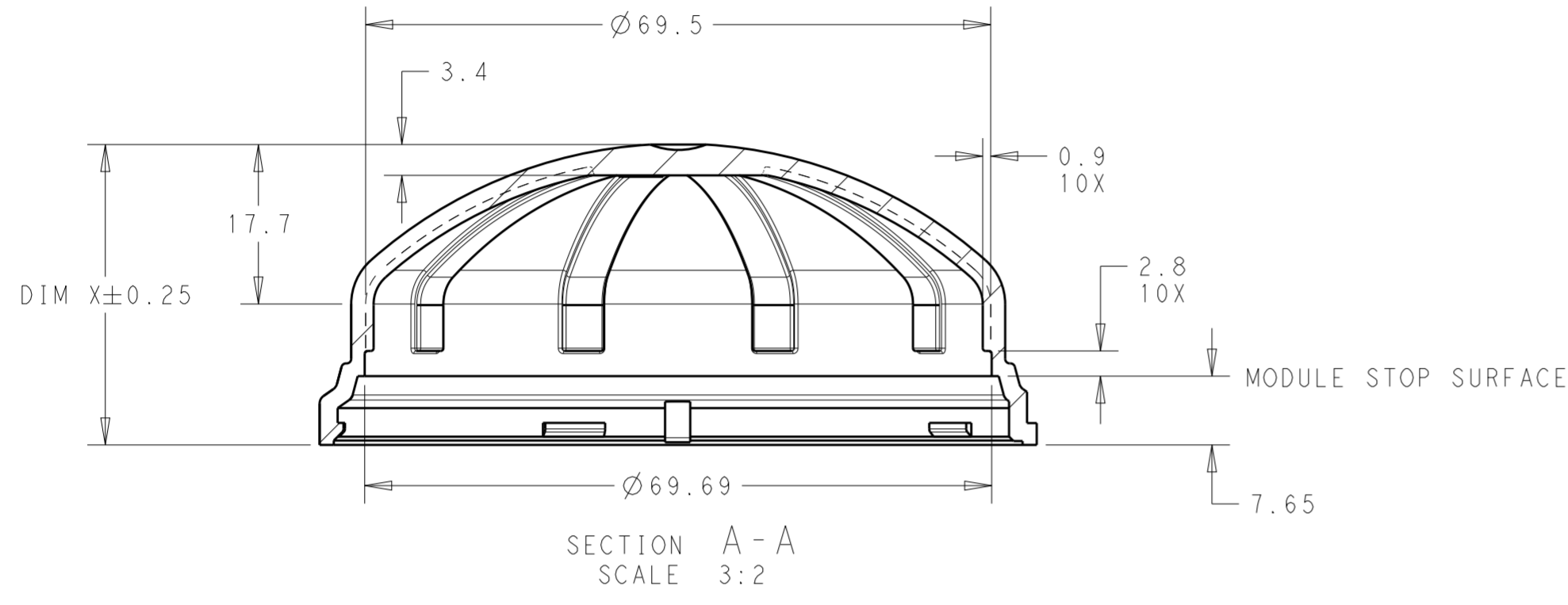
- 1. MATERIAL: -POLYCARBONATE COLOR: SEE TABLE
- 2. MUST COMPLY WITH DIRECTIVE 2002/95/EC (ROHS)
- 3. THIS PRODUCT HAS NOT COMPLETED VALIDATION TESTING
- 4. MODULE BASE TE P/N: 2213831-1

IDENTIFICATION MARKINGS	APPROX. LIGHT TRANSMISSION	COLOR	DIM X	PART NO.
YES	78	TRANSPARENT CLEAR	58.43	3-2328823-3
YES	78	TRANSPARENT CLEAR	43.43	3-2328823-2
YES	78	TRANSPARENT CLEAR	33.43	3-2328823-1
YES	24	TRANSPARENT SMOKE	58.43	2-2328823-3
YES	24	TRANSPARENT SMOKE	43.43	2-2328823-2
YES	24	TRANSPARENT SMOKE	33.43	2-2328823-1
NO	78	TRANSPARENT CLEAR	58.43	1-2328823-3
NO	78	TRANSPARENT CLEAR	43.43	1-2328823-2
NO	78	TRANSPARENT CLEAR	33.43	1-2328823-1
NO	24	TRANSPARENT SMOKE	58.43	2328823-3
NO	24	TRANSPARENT SMOKE	43.43	2328823-2
NO	24	TRANSPARENT SMOKE	33.43	2328823-1

THIS DRAWING IS A CONTROLLED DOCUMENT.		DWN C. DAILY 10 JAN 2018	TE Connectivity NAME DOME, LUMAWISE ENDURANCE S, 80mm	
		CHK M. STOLLER 10 JAN 2018		
DIMENSIONS: mm		APVD -	PRODUCT SPEC 108-133073	SIZE A200779
TOLERANCES UNLESS OTHERWISE SPECIFIED:		APVD -	APPLICATION SPEC 114-133074	CAGE CODE C-2328823
0 PLC ± 1 PLC ±0.2 2 PLC ±0.10 3 PLC ± 4 PLC ± ANGLES ±1° FINISH -		WEIGHT -	RESTRICTED TO -	SCALE 1:1
MATERIAL SEE TABLE		CUSTOMER DRAWING	SHEET 1 OF 2 REV A	

THIS DRAWING IS UNPUBLISHED. RELEASED FOR PUBLICATION
 © COPYRIGHT copyright.dble- ALL RIGHTS RESERVED.

REVISIONS				
P	LTR	DESCRIPTION	DATE	APVD
-	-	SEE SHEET 1	-	-



THIS DRAWING IS A CONTROLLED DOCUMENT.		DWN C. DAILY 10 JAN 2018	TE Connectivity	
		CHK M. STOLLER 10 JAN 2018		
DIMENSIONS:		APVD		NAME
mm		PRODUCT SPEC		DOME, LUMAWISE ENDURANCE S, 80mm
TOLERANCES UNLESS OTHERWISE SPECIFIED:		APPLICATION SPEC		SIZE
0 PLC	±	114-133074		CAGE CODE
1 PLC	±0.2	WEIGHT		A200779
2 PLC	±0.10	CUSTOMER DRAWING		DRAWING NO
3 PLC	±	SCALE 1:1		RESTRICTED TO
4 PLC	±	SHEET 2 OF 2		-
ANGLES	±1°	REV A		-
FINISH	-			-