

För icke direkt toleranssatta mått gäller toleransklass
General tolerances if not otherwise stated

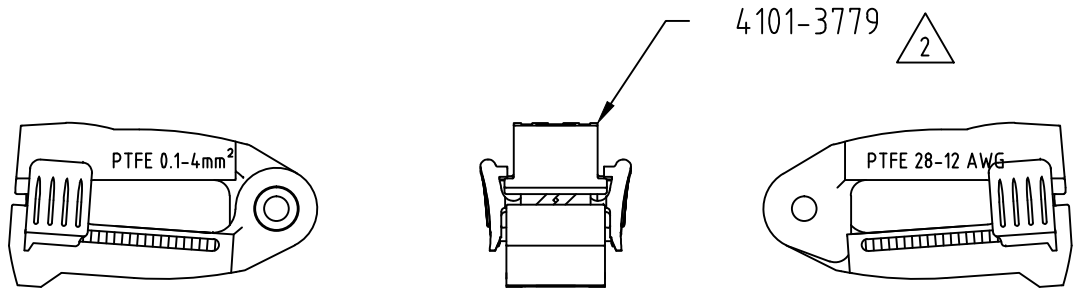
Rev	Change order	Change: A = Added W = Was D = Deleted	Date	Sign
1	1015830000	4 101-2145, 4 101-2120 ÄNDRAD/CHANGED	D030325	SE
2	1023850000	4 101-3779 W. 4 101-2053	050823	jowi

NOM DIM MM		TOL CLASS		
From	To	A	B	C
(1)	6	±0.05	±0.1	±0.2
(6)	30	±0.1	±0.2	±0.5
(30)	100	±0.15	±0.3	±0.8
(100)	300	±0.2	±0.5	±1.2
(300)	1000	±0.3	±0.8	±2

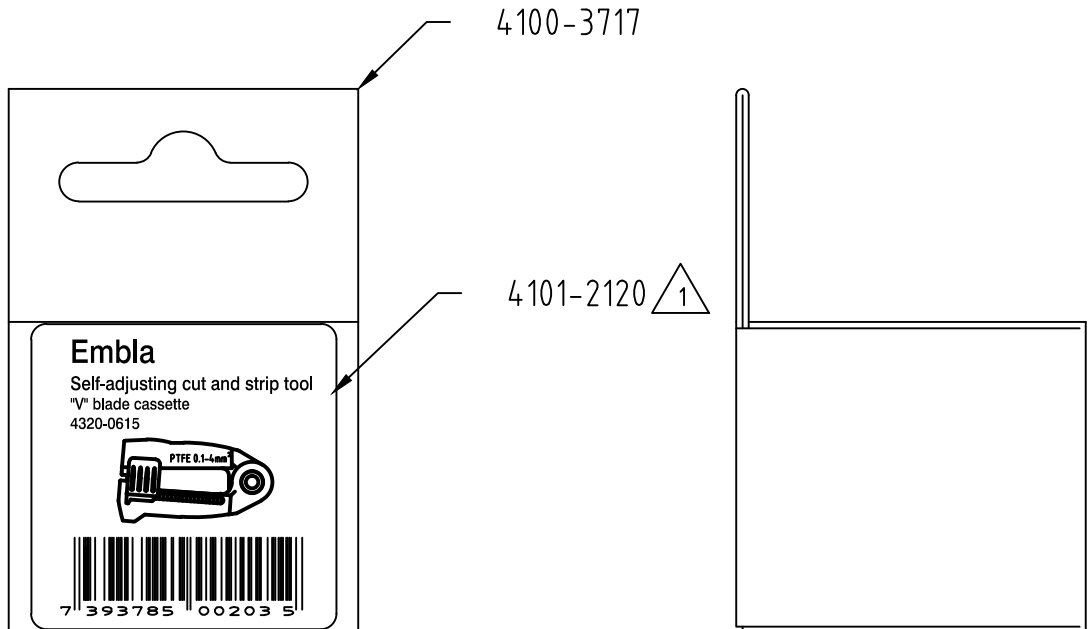
Hål / Holes H13


Skarpa kanter brutna där ej annat anges.
No sharp edges unless otherwise specified.

Övriga generella toleranser enligt ritning 4100-4644.
Additional general tolerances in accordance with drawing 4100-4644.



KASSETT LASERMÄRKT ENLIGT RITNING : 4 101-2145
CASSETTE LASERMARKED ACCORDING TO DRAWING : 4 101-2145 1



Material		Behandling/Treatment			Status Prel.utc.	
Konstr/Design JOWI	Ritad/Drawn SE	Datum/Date 2005-08-23	Skala/Scale 1:1	Kontr/Checked	Godk/Approved	Ämne/Blank
pressmaster® 				Benämning/Denomination V-blad kassett V-blade cassette		Vikt/Weight,gram Art grp 012
				Ritn nr/Drawing no 43200615		REV 002

Denna ritning är Pressmaste AB:s egendom. Skyddad av gällande lag.
This drawing is the property of Pressmaster AB. Protected in accordance with prevailing law.