

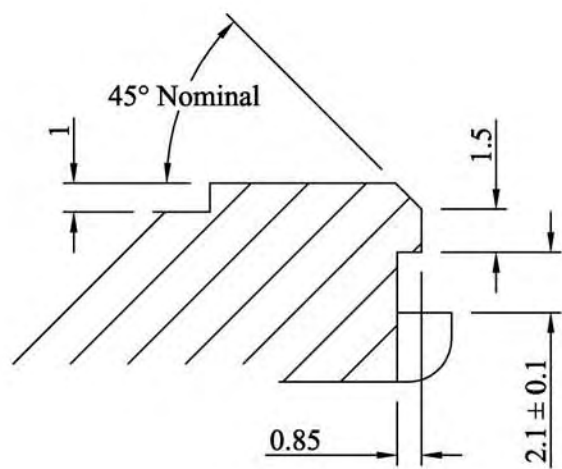
Third Angle Projection

Part No. 01BBN08

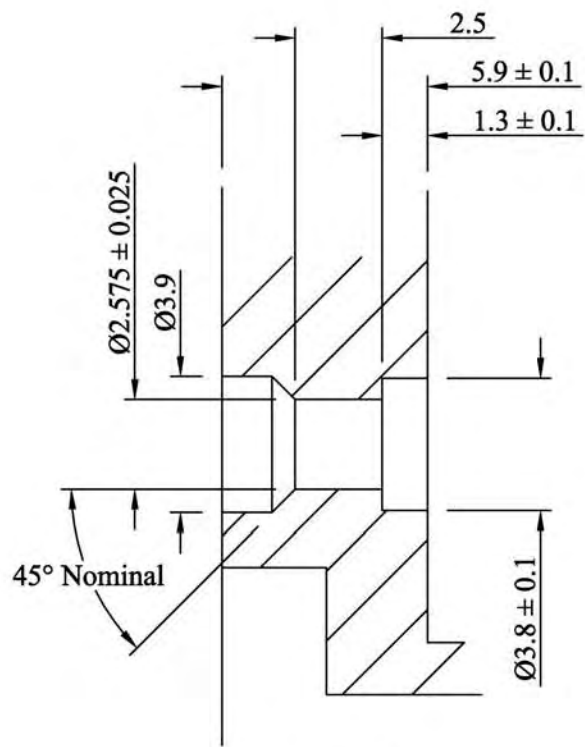
Issue	A	Date	10/05/2002
Drawn		Date	10/05/2002
Approved	P.J.H	Date	10/05/2002

Unless otherwise stated All Dimensions are in mm

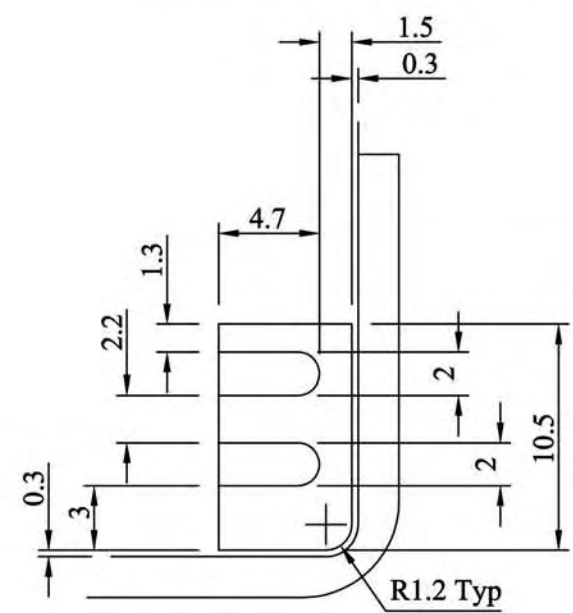
General tolerance +/- 0.2mm



Detail A
Section on
Centre Line



Detail B



Detail C

Sheet 2 of 2

Material :- Black Glass Filled Nylon Beetle 66GF6
Or Approved Equivalent

Finish :- External surfaces textured except central
area around pins & numbering

Issue History		
Issue A	First Drawn	10/05/02

THIS DRAWING IS THE PROPERTY OF PERANCEA LTD AND MAY NOT BE COPIED OR REPRODUCED WITHOUT OUR WRITTEN CONSENT



Title Plug in case 8 pin base

Unit 36, Silicon Business Centre, Greenford, UB6 7JZ
Telephone: 020 8365 2520 Fax: 020 8566 7217
Email: sales@perancea.com Web: www.perancea.com