

**NOTES:**

**1- MATERIAL:**

HOUSING: LCP GLASS FILLED UL 94V0, COLOUR: BLACK  
 TERMINAL: COPPER ALLOY PLATED WITH:  
 BASE FINISH: NICKEL  
 CONTACT SURFACE FINISH:  
 GOLD  
 OR  
 GOLD FLASH OVER PALLADIUM NICKEL.  
 EXCEEDS PRODUCT REQUIREMENTS BASED ON PS-95501

SOLDER PEGS: COPPER ALLOY PLATED WITH TIN.

2- JACK FOR MATING WITH IEC 60603-7 & TIA-1096-A PLUGS (MOLEX 90075 SERIES).

3- PRODUCT SPECIFICATION: MOLEX PS-95501

4 - POLYIMIDE ADHESIVE TAPE FOR PICK & PLACE SURFACE. THICKNESS: 125 μm

5 - PACKAGING SPECIFICATION: MOLEX PK-85502. (BLISTER PACKAGING).

6 - COPLANARITY OF SIGNAL LEADS: 0.10

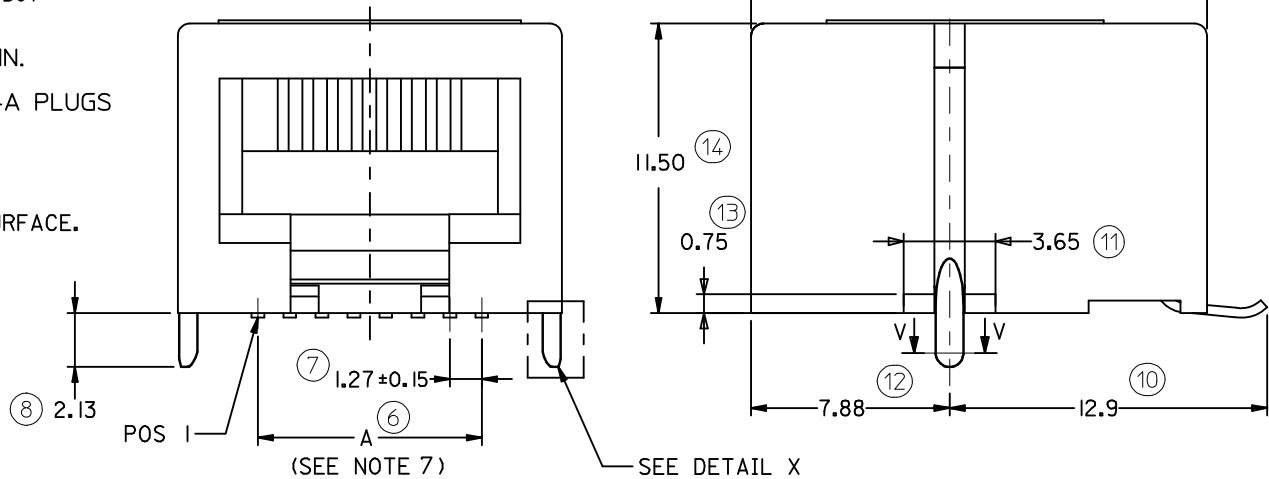
7 - SEE DIMENSIONS IN CHART ON SHEET 2.

8 - P.C. BOARD THICKNESS: 1.57

9- MANUFACTURING I.D. CAN BE EITHER MG, MXF OR MXI.

10- APPLICATION SPEC: AS-85513-001

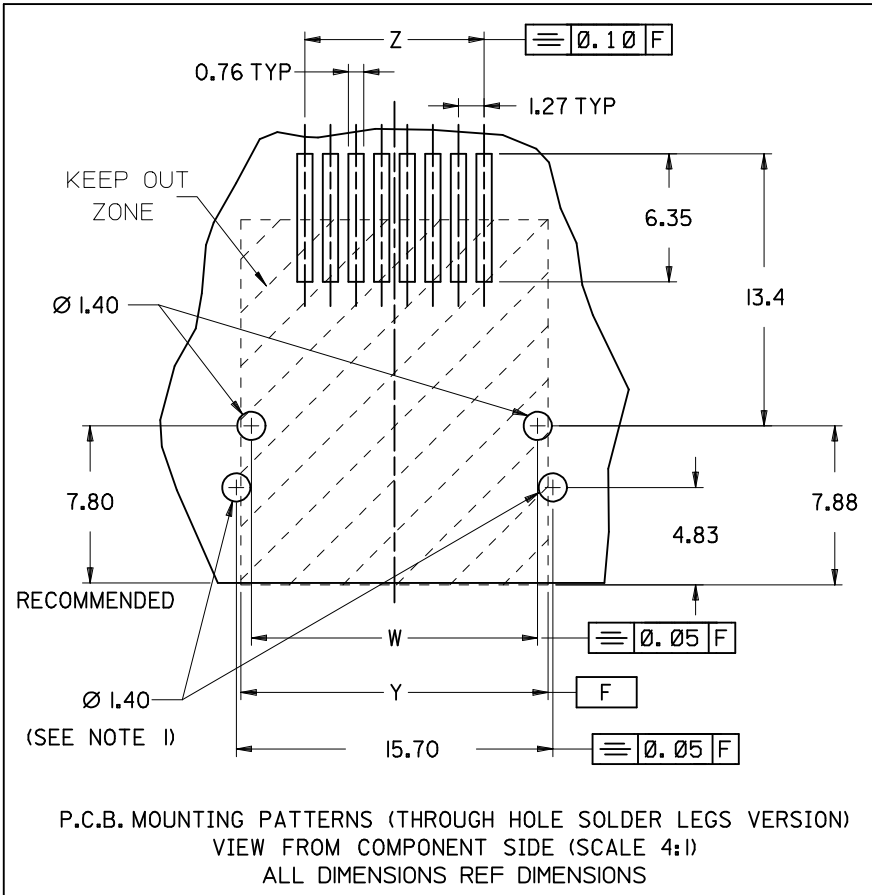
LAST INSPECTION NUMBER: 14



CHANGED PROD SPEC EC NO: IPG2013-0771 DRWN:DBYRNES 2012/11/23 CHKD: APPR:STGRIFFIN 2012/12/13 REV DESCRIPTION	QUALITY SYMBOLS	GENERAL TOLERANCES (UNLESS SPECIFIED)	DIMENSION STYLE	SCALE	DESIGN UNITS	THIRD ANGLE PROJECTION	
	▽=0 ∠=0	mm INCH	MM ONLY	5:1	METRIC		
		4 PLACES ± --- ± --- 3 PLACES ± --- ± --- 2 PLACES ± 0.25 ± --- 1 PLACE ± 0.35 ± ---	DRAWN BY DATE DB 2006/06/12	TITLE R/A LOW PROFILE P.C.JACK SMT; 4,6 & 8 CKTS WITH THROUGH HOLE SOLDER PEGS			
		ANGULAR ± 2 °	CHECKED BY DATE EOMAHONY 2006/06/15	MOLEX MOLEX INCORPORATED			
	DRAFT WHERE APPLICABLE MUST REMAIN WITHIN DIMENSIONS	APPROVED BY DATE EOMAHONY 2006/06/15	MATERIAL NO.	DOCUMENT NO.	SHEET NO.		
		SIZE A3	SEE CHART SHT 2	SD-85502-103	1 OF 2		
		THIS DRAWING CONTAINS INFORMATION THAT IS PROPRIETARY TO MOLEX INCORPORATED AND SHOULD NOT BE USED WITHOUT WRITTEN PERMISSION					

NOTES

- 1 : TWO OPTIONAL HOLES FOR THE 8 POSITION-VERSION FOR THE COMPATIBILITY WITH THE INTERNAL SHIELDED VERSION.
- 2 : PLATING SEE SHEET ONE



HOUSING COLOR	POS 4		POS 6		POS 6		POS 8		
	4 CKTS	TOOLED	4 CKTS	TOOLED	6 CKTS	TOOLED	8 CKTS	TOOLED	
STANDARD VERSION	BLACK	85502-5009	X	85502-5010	X	85502-5011	X	85502-5012	X

TYPE	POS 4	POS 6		POS 8
	4 CKTS	4 CKTS	6 CKTS	8 CKTS
A ±0.15	3.81	3.81	6.35	8.89
B	11.18	13.21	13.21	15.24
C (REF)	8.50	8.50	8.50	12.00
E	11.08	13.11	13.11	15.14
W ±0.05	10.13	12.16	12.16	14.19
Y (REF)	11.18	13.21	13.21	15.24
Z ±0.05	3.81	3.81	6.35	8.89

P.C.B. MOUNTING PATTERNS (THROUGH HOLE SOLDER LEGS VERSION)  
VIEW FROM COMPONENT SIDE (SCALE 4:1)  
ALL DIMENSIONS REF DIMENSIONS

SEE SHEET 1 EC NO: IPG2012-0691 DRW:DBYRNES 2012/04/02 CHK:DMAHER 2012/04/17 APPR:EFOLAN 2012/06/26	QUALITY SYMBOLS	GENERAL TOLERANCES (UNLESS SPECIFIED)	DIMENSION STYLE	SCALE	DESIGN UNITS	THIRD ANGLE PROJECTION
	▽=0 ∇=0	mm    INCH 4 PLACES ± --- ± --- 3 PLACES ± --- ± --- 2 PLACES ± 0.25 ± --- 1 PLACE ± 0.35 ± --- ANGULAR ± 2 °	MM ONLY	5:1	METRIC	DRAWN BY: DB DATE: 2006/06/12 CHECKED BY: EOMAHONY DATE: 2006/06/15 APPROVED BY: EOMAHONY DATE: 2006/06/15
		DRAFT WHERE APPLICABLE MUST REMAIN WITHIN DIMENSIONS	SEE CHART	TITLE		RIGHT ANGLE LOW PROFILE SMT PC JACK WITH THROUGH HOLE SOLDER PEGS MOLEX INCORPORATED
				MATERIAL NO.	DOCUMENT NO.	SHEET NO.