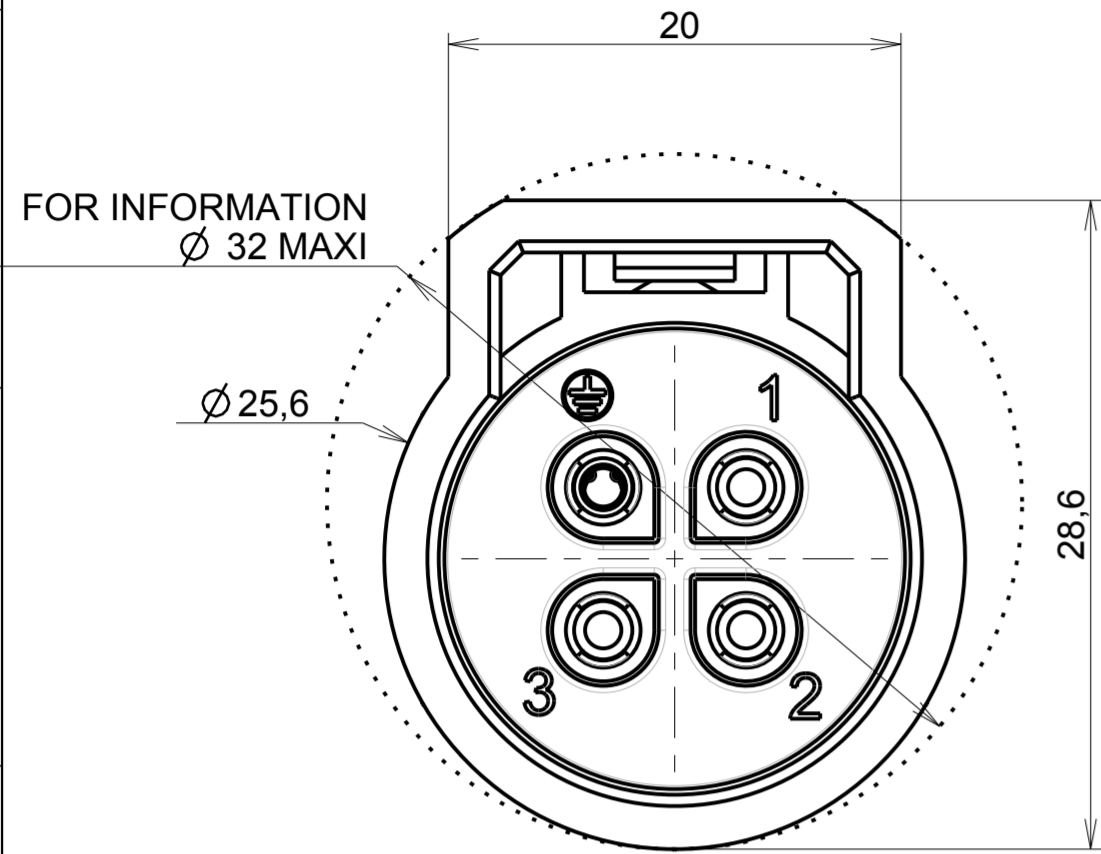
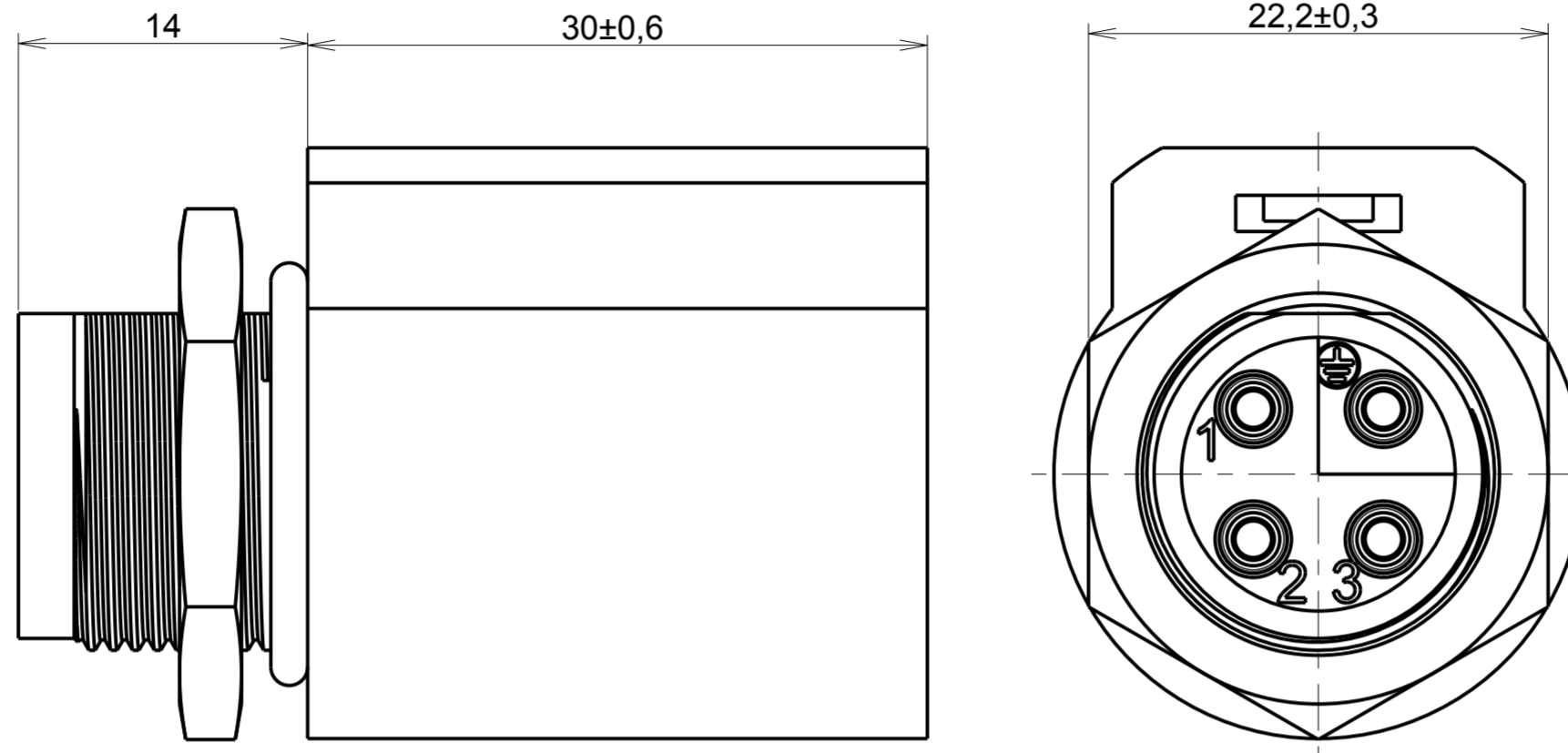


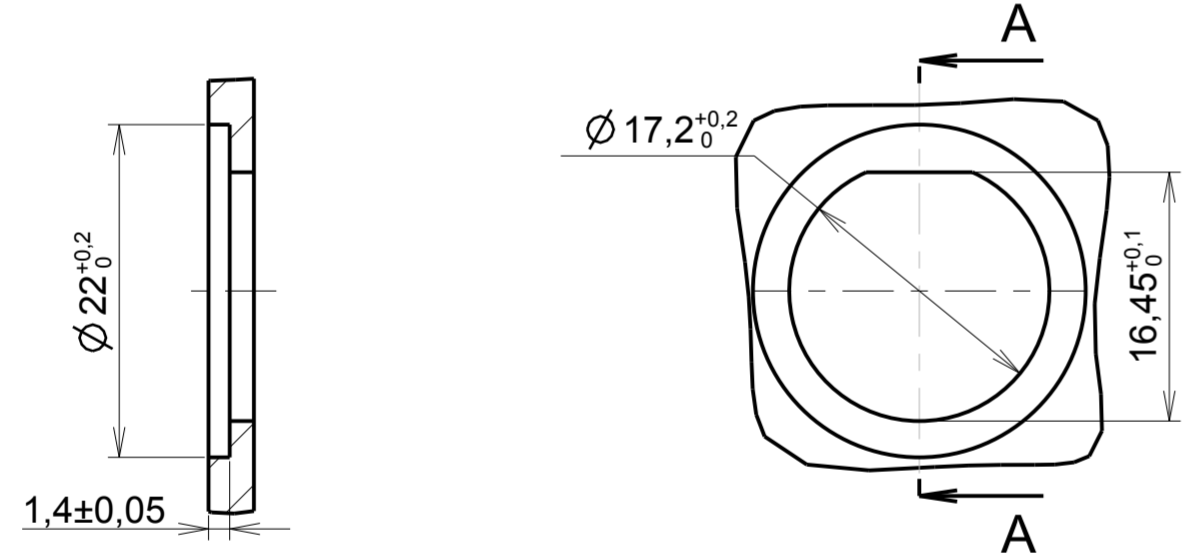
### MATING FACE



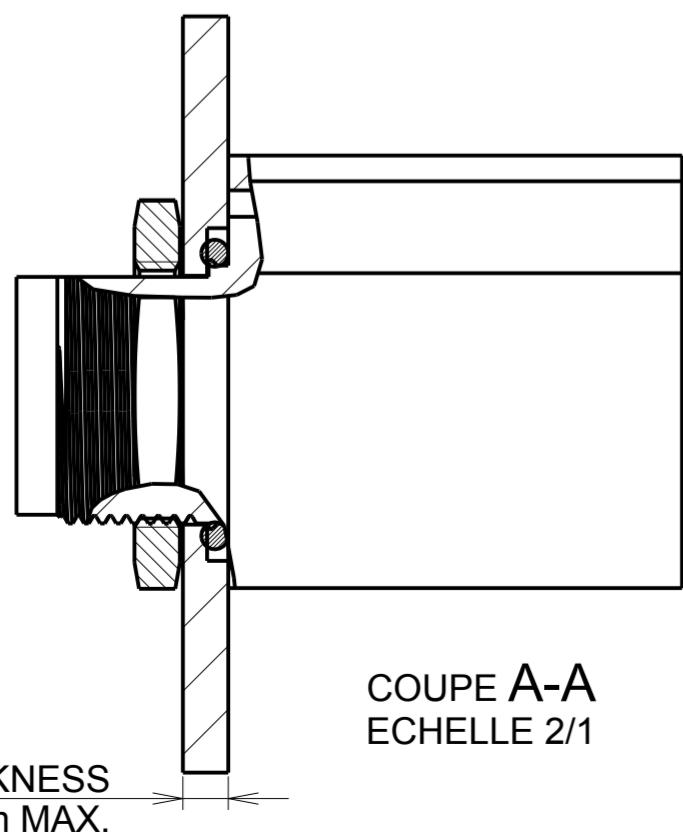
### WIRING FACE



### PANEL CUT OUT

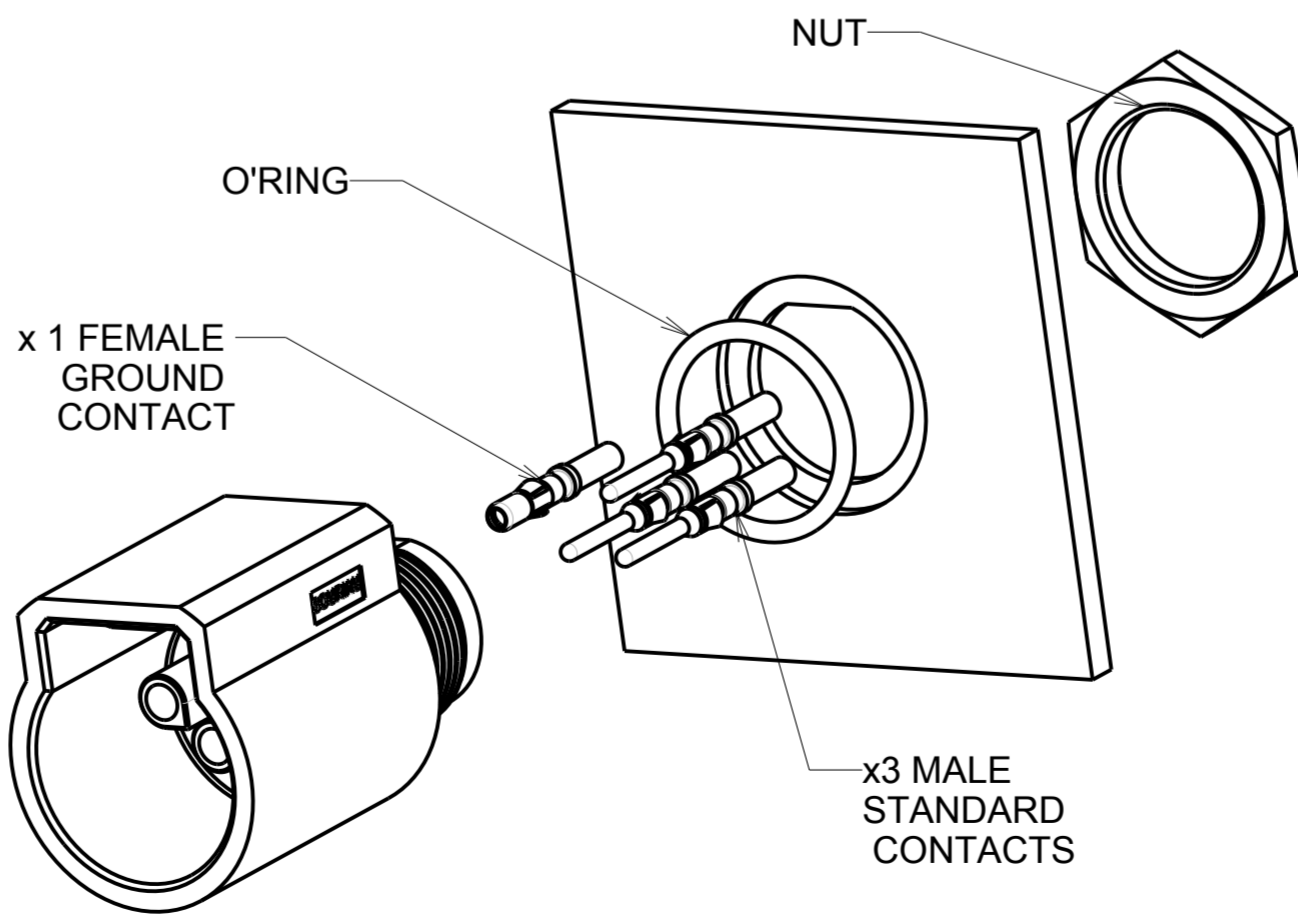


COUPE A-A



COUPE A-A  
ECHELLE 2/1

PANEL THICKNESS  
6mm MAX.



#### NOTES

**MATERIALS**  
SHELL  
O'RING  
NUT

SEE TABLE  
NBR  
BLACK ANODIZED ALUMINIUM ALLOY

#### PERFORMANCES CHARACTERISTICS

MECHANICAL	TEMPERATURE CLASS	IEC61984/UL1977	-40°C TO 105°C
DURABILITY	IEC61984		500 MATE / UNMATE CYCLES
SEALING IN MATED CONDITIONS	IEC60529		IP68 1BAR DURING 1WEEK
	DIN40050		IP69K
SEALING IN UNMATED CONDITIONS	IEC60529		IP67 WITH CAPS
OPEN FACE SEALING	IEC60529		IP67 WITH R*M25* CONTACTS
POLLUTION DEGREE	IEC61984		4
CORROSION SALT SPRAY			MIN 1000H
FLAMMABILITY	UL94		MATERIAL RATING: 5VA
OUTDOOR SUITABILITY (UV RESIST)	UL746C		MATERIAL RATING: (f1)
SCOOP PROOF			
<b>ELECTRICAL</b>			
TOUCH PROOF	IEC60529		IP2X
NOMINAL CURRENT	UL1977		16A WITH AWG14 WIRE / 13A WITH AWG16 WIRE
NOMINAL CURRENT	IEC61984		16A WITH 2.5MM² WIRE / 13A WITH 1.5MM² WIRE AT 60°C
NOMINAL VOLTAGE	UL1977		600V
NOMINAL VOLTAGE	IEC61984		250VAC 4KV 4 FOR CLASS II
	IEC61984		500VAC 6KV 4 FOR CLASS I
CONNECTOR BREAKING CAPACITY	UL1977		277V 13A WITH AWG14/16 WIRES
	IEC61984		250VAC 13A 4KV 4

#### ROHS COMPLIANT

- COUNTERPART REFERENCE UTL PLUG
- CONNECTORS ARE DELIVERED AS PRE-ASSEMBLED KIT
- CONNECTOR BLOCKS ACCEPTS TRIM TRIO CONTACTS #16, R\*M\* OR S\*M\* TYPES
- CONTACTS TO BE ORDERED SEPARATELY.
- WARNING: PHASE CONTACTS ARE MALE VERSION AND GROUND CONTACT IS FEMALE VERSION
- UNIT IN MM

P/N	SHELL' S MATERIAL
UTL7103G1P	POLYAMID GLASS REINFORCED BLACK COLOR
UTL7103G1P03	POLYAMID GLASS REINFORCED LIGHT GREY COLOR

P/N : SEE TABLE

d	19/11/12	Change part number customer drawing	22725
ISS	DATE	UTS2-0007A-C01 by UTL1-0007A-C01	MOD N°
		Latest modification - by: RIOUX.B	
Designed by:	RAGINE M.	Date: 06/12/11	CUSTOMER DRAWING
TITLE	MALE RECEPTACLE LAYOUT 4 CONTACTS UTL CONNECTOR		
Scale	1/1	General linear Tolerances: ± 0,3	NPRDS / PROJECT UTL
		WWW.SOURIAU.COM	This document is the property of SOURIAU. It must not be reproduced or communicated without permission.
FORMAT	A2	SOURIAU DRG N° UTL1-0007A-C01	SHEET 1/1

NOT EXPORT CONTROLLED