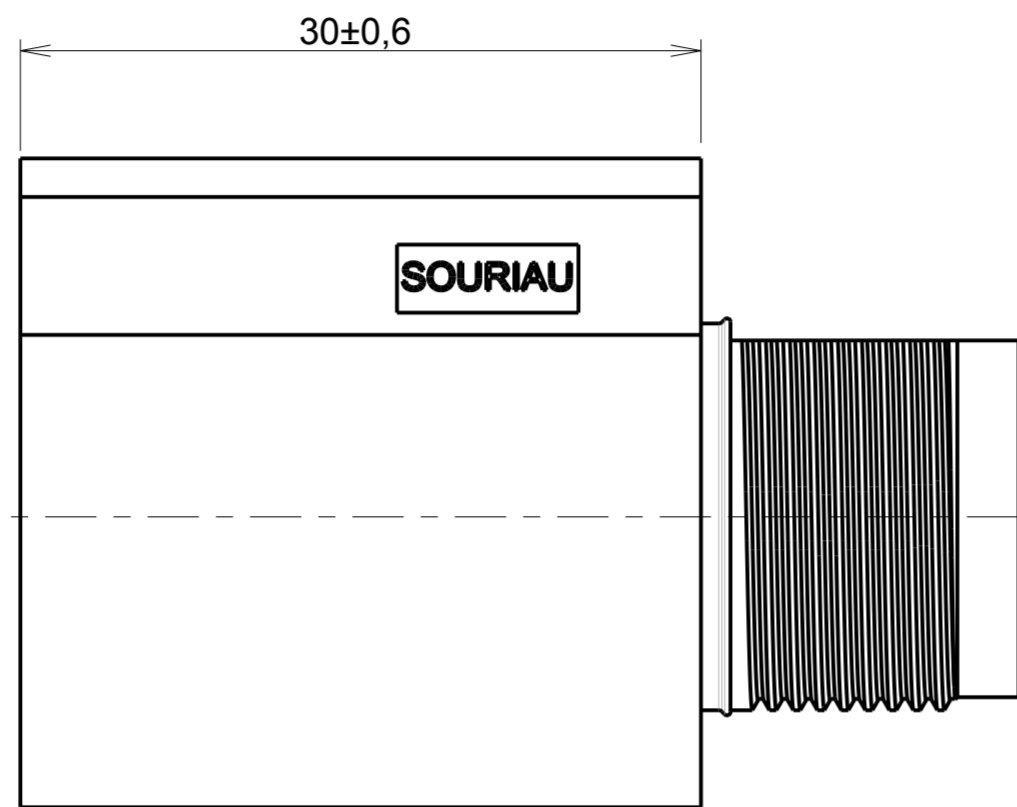
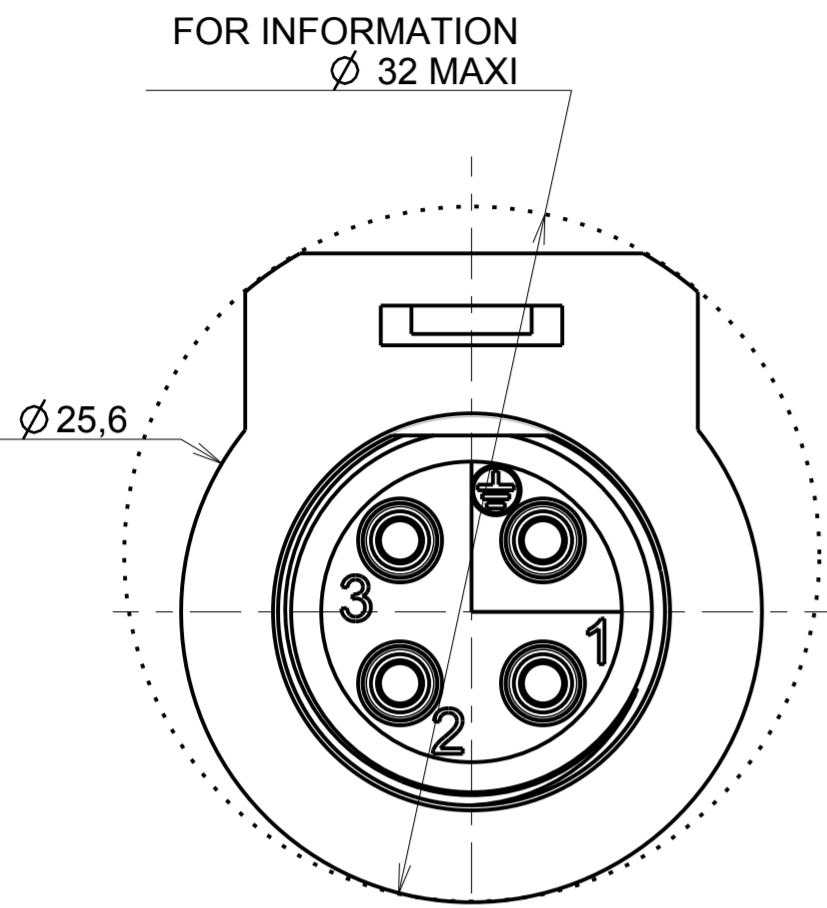
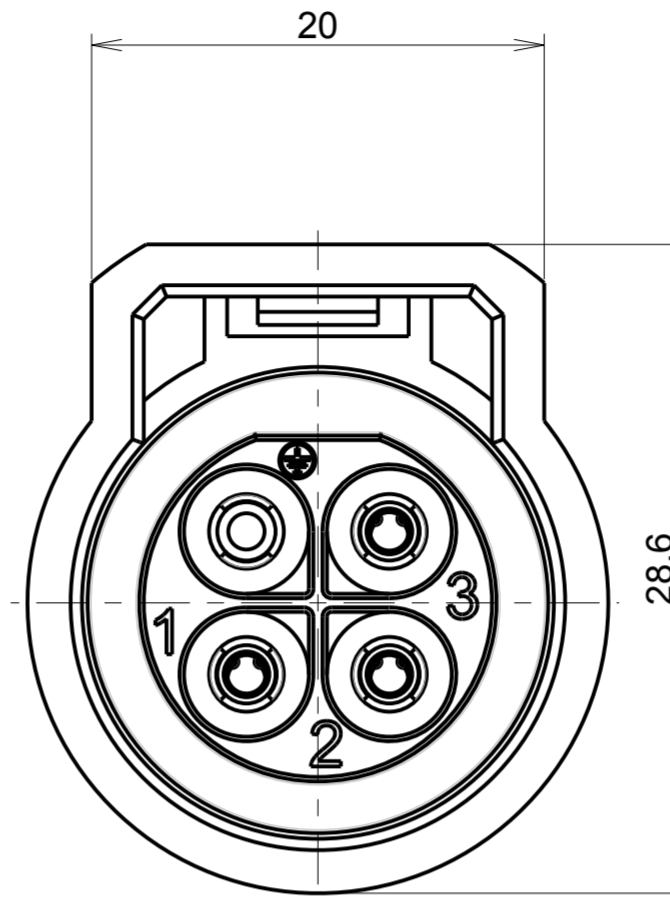


C:1:RL

WIRING FACE



MATING FACE



NOTES

MATERIALS
SHELL

SEE TABLE

PERFORMANCES CHARACTERISTICS
MECHANICAL

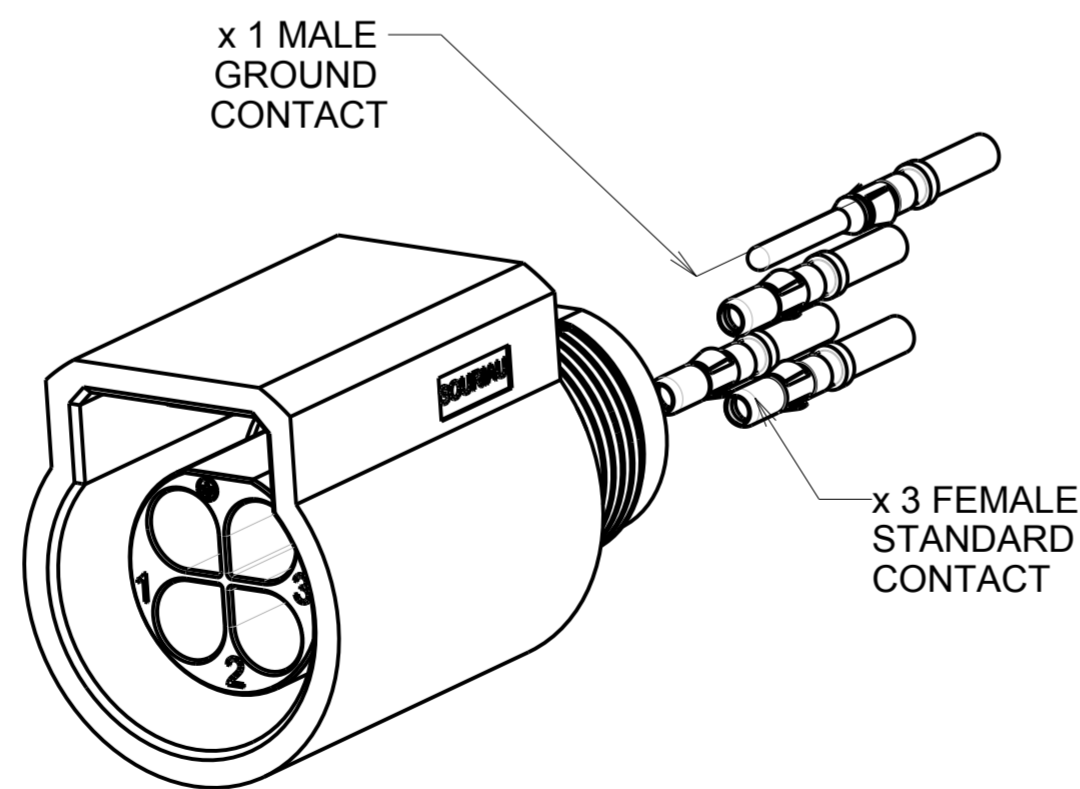
TEMPERATURE CLASS	IEC61984/UL1977	-40°C TO 105°C
DURABILITY	IEC61984	500 MATE / UNMATE CYCLES
SEALING IN MATED CONDITIONS	IEC60529 DIN40050	IP68 1BAR DURING 1WEEK IP69K
SEALING IN UNMATED CONDITIONS	IEC60529	IP67 WITH CAPS
OPEN FACE SEALING	IEC60529	IP67 WITH R*M25* CONTACTS
POLLUTION DEGREE	IEC61984	4
CORROSION SALT SPRAY		MIN 1000H
FLAMMABILITY	UL94	MATERIAL RATING: 5VA
OUTDOOR SUITABILITY (UV RESIST)	UL746C	MATERIAL RATING: (f1)
SCOOP PROOF		

ELECTRICAL

TOUCH PROOF	IEC60529	IP2X
NOMINAL CURRENT	UL1977	16A WITH AWG14 WIRE / 13A WITH AWG16 WIRE
NOMINAL CURRENT	IEC61984	16A WITH 2.5MM² WIRE / 13A WITH 1.5MM² WIRE AT 60°C
NOMINAL VOLTAGE	UL1977	600V
NOMINAL VOLTAGE	IEC61984	250VAC 4KV 4 FOR CLASS II
	IEC61984	500VAC 6KV 4 FOR CLASS I
CONNECTOR BREAKING CAPACITY	UL1977	277V 13A WITH AWG14/16 WIRES
	IEC61984	250VAC 13A 4KV 4

ROHS COMPLIANT

- COUNTERPART REFERENCE UTL PLUG
- CONNECTORS ARE DELIVERED AS PRE-ASSEMBLED KIT
- CONNECTOR BLOCKS ACCEPTS TRIM TRIO CONTACTS #16, R*M* OR S*M* TYPES
- CONTACTS TO BE ORDERED SEPARATELY.
- WARNING: PHASE CONTACTS ARE FEMALE VERSION AND GROUND CONTACT IS MALE VERSION
- UNIT IN MM



P/N	SHELL' S MATERIAL
UTL1103G1S	POLYAMID GLASS REINFORCED BLACK COLOR
UTL1103G1S03	POLYAMID GLASS REINFORCED LIGHT GREY COLOR

P/N : SEE TABLE

C	19/11/12	Change part number customer drawing UTS2-0014A-C01 by UTL1-0014A-C01	22725
ISS	DATE	Latest modification - by: RIOUX.B	MOD N°
Designed by: RAGINE M.		Date: 25/01/12	CUSTOMER DRAWING
TITLE		FEMALE FREE HANGING SIZE 10 UTL CONNECTOR	
Scale	1/1	General linear Tolerances: ± 0,3	NPRDS / PROJECT UTL
		WWW.SOURIAU.COM	This document is the property of SOURIAU It must not be reproduced or communicated without permission
FORMAT	A2	SOURIAU DRG N° UTL1-0014A-C01	SHEET 1/1

NOT EXPORT CONTROLLED