

NOTES

MATERIALS
 SHELL: STAINLESS STEEL
 COUPLING LATCH: LUBRICATED RED SILICON
 O'RING: LUBRICATED RED SILICON

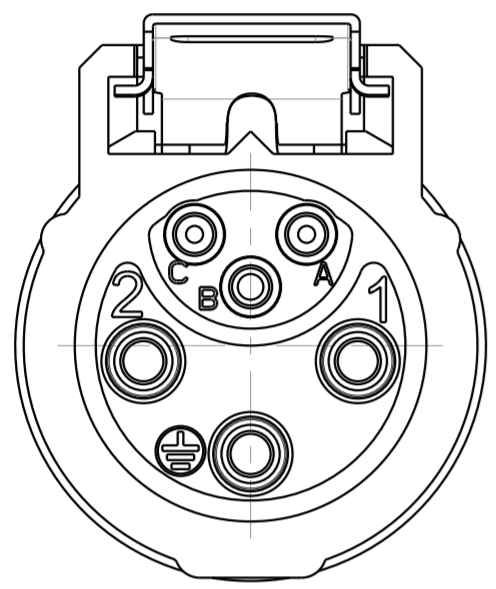
PERFORMANCES CHARACTERISTICS
MECHANICAL
 TEMPERATURE CLASS: IEC61984/UL1977 -40°C TO 105°C
 DURABILITY: IEC61984 500 MATE / UNMATE CYCLES
 SEALING IN MATED CONDITIONS: IEC60529 IP68 1BAR DURING 1WEEK
 SEALING IN UNMATED CONDITIONS: DIN40050 IP69K
 POLLUTION DEGREE: IEC60529 IP67 WITH CAPS
 CORROSION SALT SPRAY: IEC61984 4
 FLAMMABILITY: UL94 MIN 1000H
 OUTDOOR SUITABILITY (UV RESIST): UL746C MATERIAL RATING: 5VA
 SCOOP PROOF: IEC61984 MATERIAL RATING: (f1)

ELECTRICAL
 TOUCH PROOF: IEC60529 IP2X
POWER AND GROUND LINES:
 NOMINAL CURRENT: UL1977 16A WITH AWG14 WIRE / 13A WITH AWG16 WIRE
 NOMINAL CURRENT: IEC61984 16A WITH 2.5MM² WIRE / 13A WITH 1.5MM² WIRE AT 60°C
 NOMINAL VOLTAGE: UL1977 600V
 NOMINAL VOLTAGE: IEC61984 250VAC 4KV 4 FOR CLASS II
 IEC61984 500VAC 6KV 4 FOR CLASS I
SIGNAL CONTACT (a,b,c) LINES:
 NOMINAL VOLTAGE: IEC61984 48V AC
 NOMINAL CURRENT: IEC61984 5A

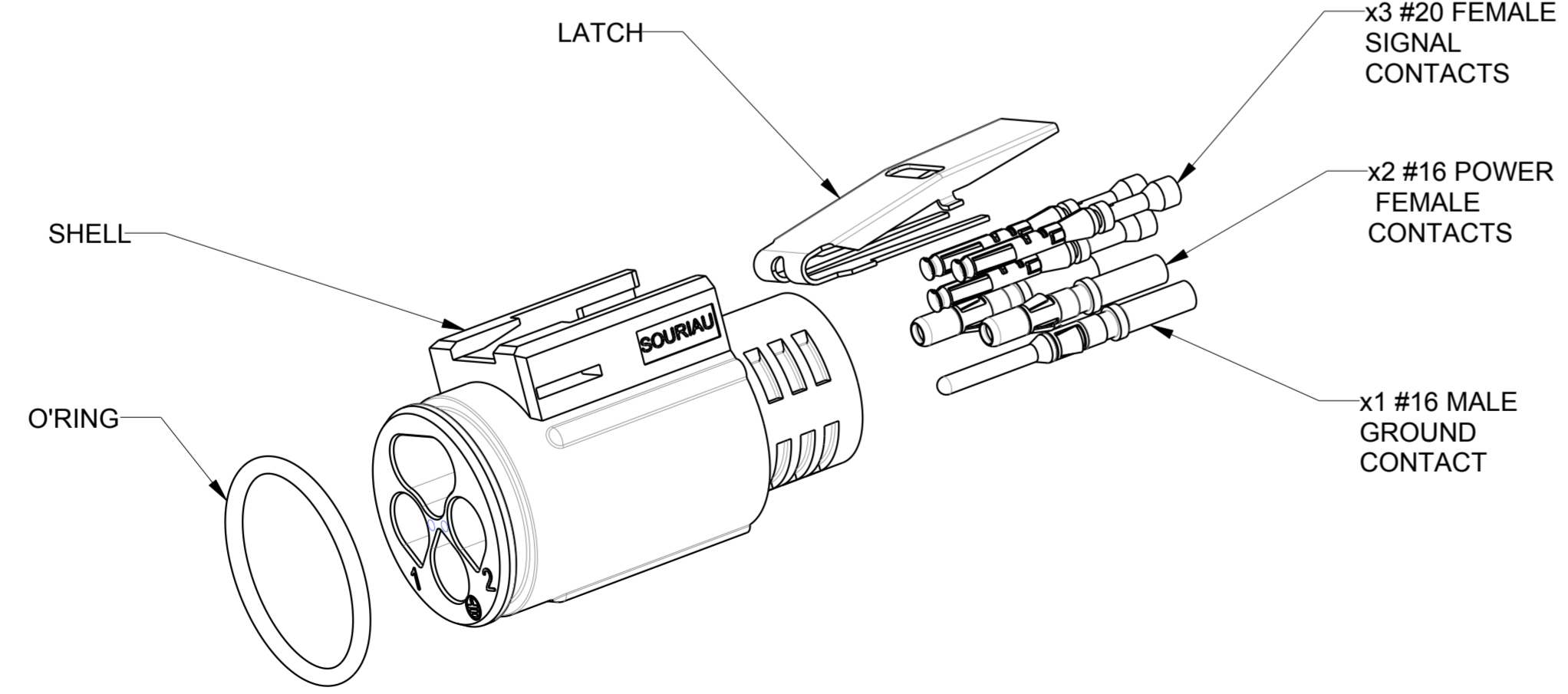
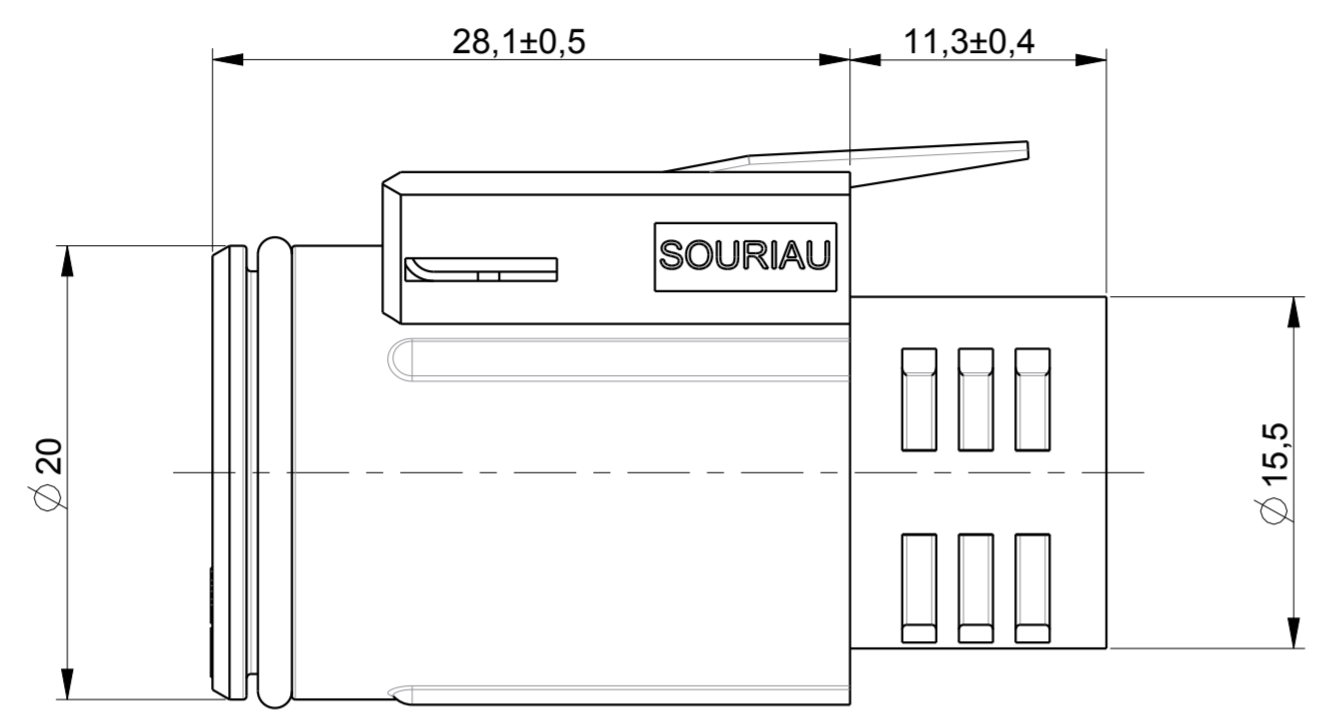
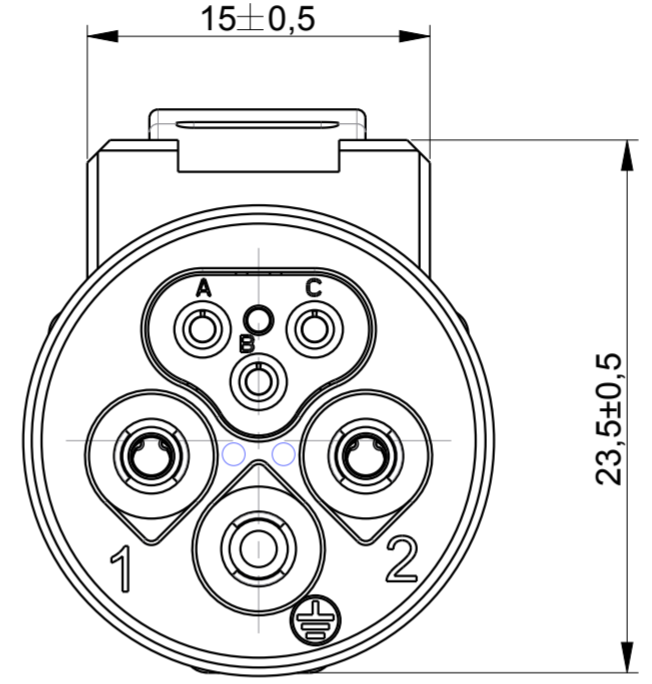
ROHS COMPLIANT

- COUNTERPART REFERENCE UTL RECEPTACLE OR FREE HANGING
- CONNECTORS ARE DELIVERED AS PRE-ASSEMBLED KIT
- CONNECTOR BLOCKS ACCEPTS TRIM TRIO CONTACTS #16 AND #20, R*M* OR S*M* TYPES
- CONTACTS TO BE ORDERED SEPARATELY.
- WARNING: PHASE AND SIGNAL CONTACTS ARE FEMALE VERSION AND GROUND CONTACT IS MALE VERSION
- UNIT IN MM

WIRING FACE



MATING FACE



P/N	SHELL' S MATERIAL
UTL6102G1W3S	PA GF REINFORCED BLACK COLOR
UTL6102G1W3S03	PA GF REINFORCED LIGHT GREY COLOR

P/N : SEE TABLE

B	06/03/2015	—	Clearances dimensions modification	23869
ISS	DATE	Latest modification - by:		MOD N°
Designed by:		RAGAINÉ M.	Date:17/07/2013	CUSTOMER DRAWING
TITLE		FEMALE PLUG LAYOUT 6 CONTACTS SIZE 10 UTL CONNECTOR		
Scale	2/1	General linear Tolerances: ± 0,2	NPRDS / PROJECT UTL	
SOURIAU		WWW.SOURIAU.COM		This document is the property of SOURIAU It must not be reproduced or communicated without permission
FORMAT	SOURIAU DRG N° UTL1-0050A-C01			SHEET 1/1