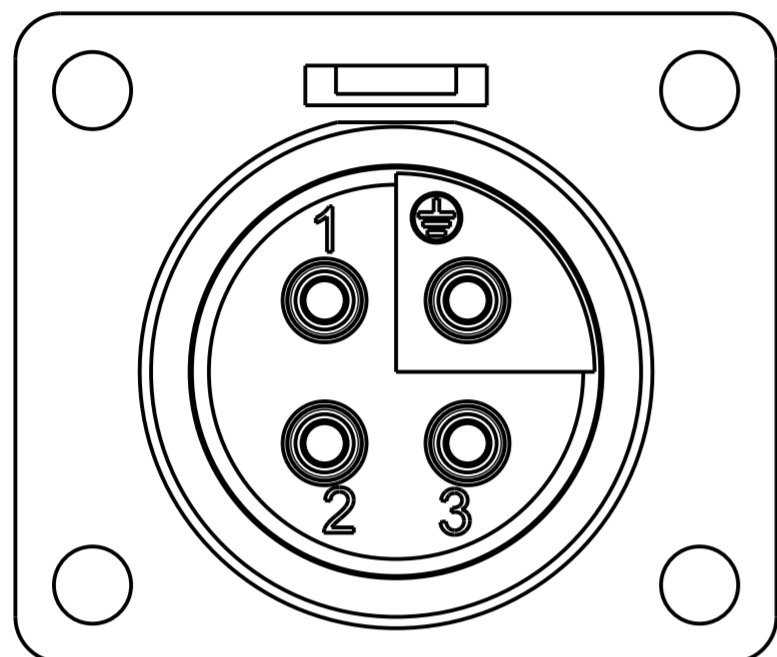
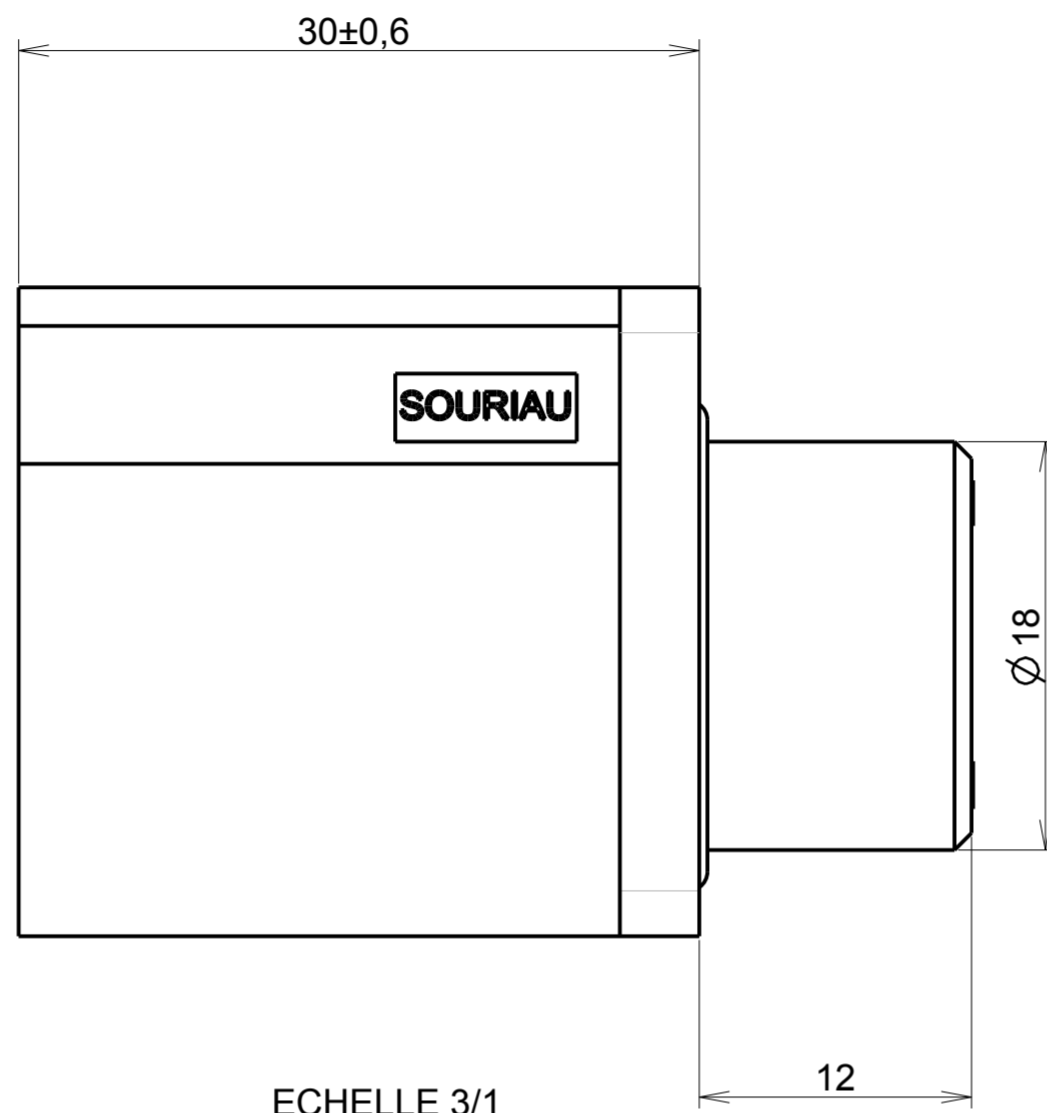
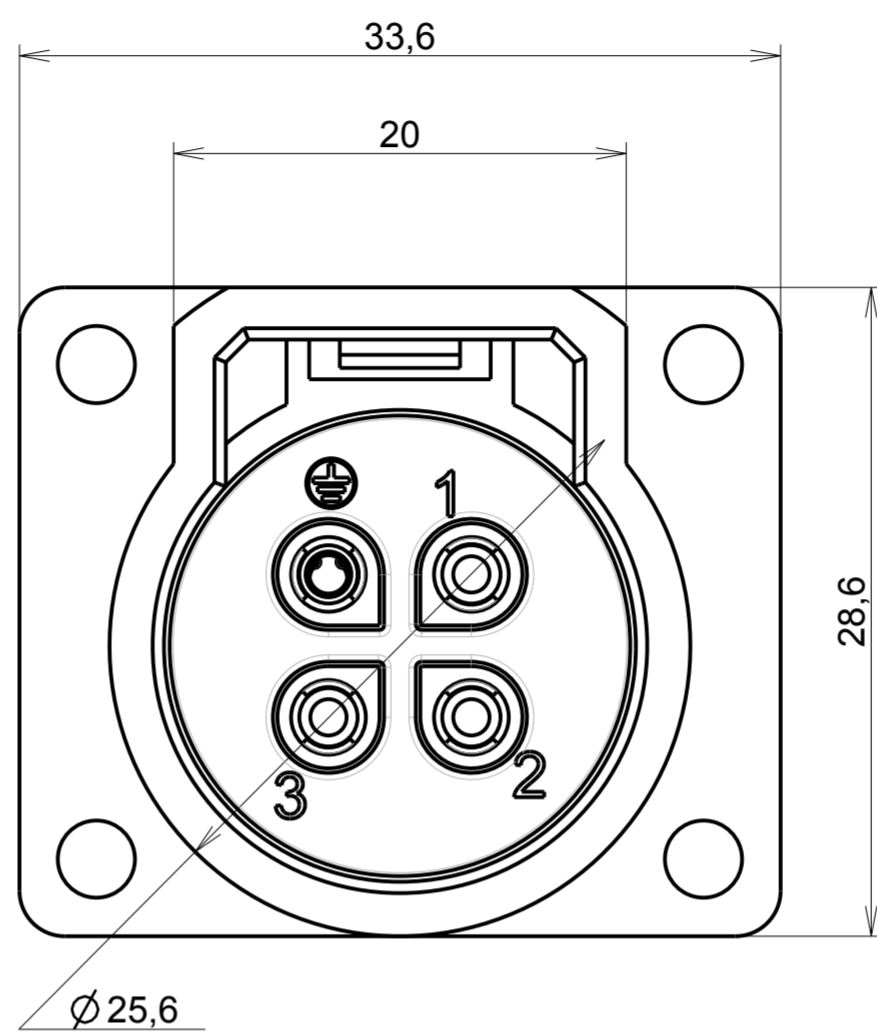


c:1:RL

WIRING FACE



MATING FACE

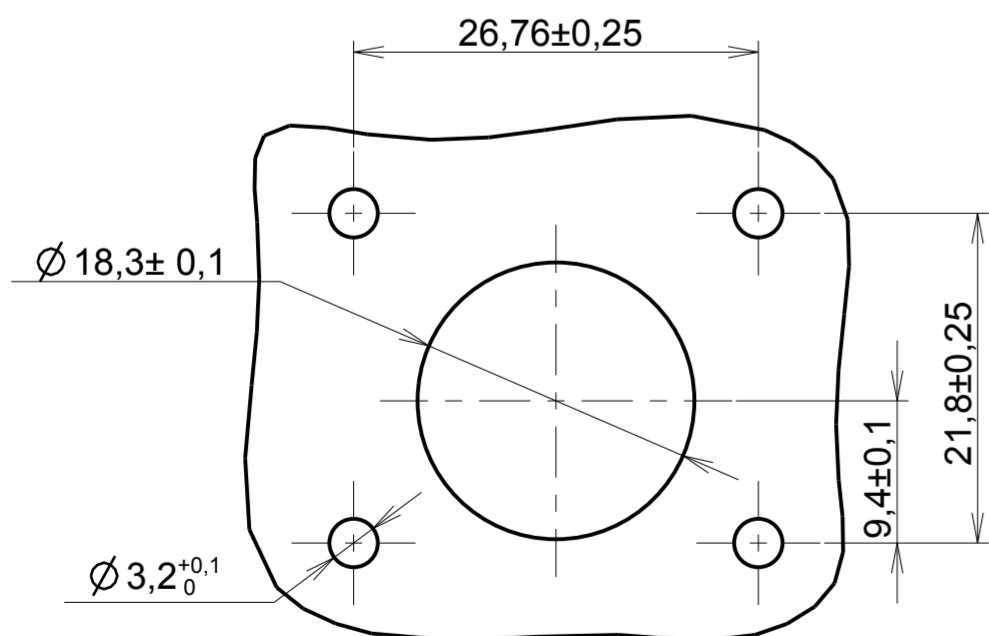


NOTES

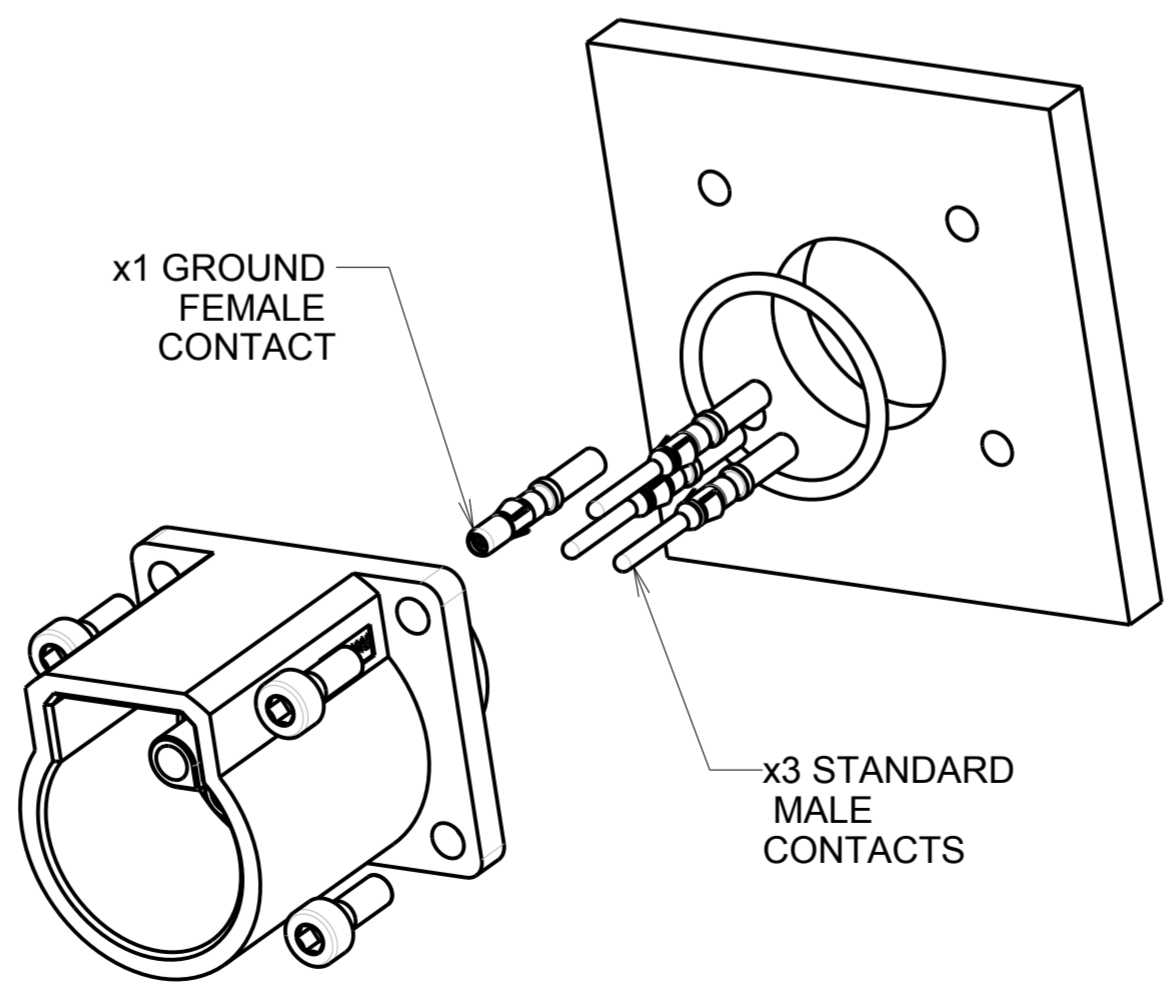
- MATERIALS  
SHELL SEE TABLE  
O'RING NBR
- PERFORMANCES CHARACTERISTICS  
MECHANICAL  
TEMPERATURE CLASS IEC61984/UL1977 -40°C TO 105°C  
DURABILITY IEC61984 500 MATE / UNMATE CYCLES  
SEALING IN MATED CONDITIONS IEC60529 IP68 1BAR DURING 1WEEK  
DIN40050 IP69K  
SEALING IN UNMATED CONDITIONS IEC60529 IP67 WITH CAPS  
OPEN FACE SEALING IEC60529 IP67 WITH R\*M25\* CONTACTS  
POLLUTION DEGREE IEC61984 4  
CORROSION SALT SPRAY MIN 1000H  
FLAMMABILITY UL94 MATERIAL RATING: 5VA  
OUTDOOR SUITABILITY (UV RESIST) UL746C MATERIAL RATING: (f1)  
SCOOP PROOF
- ELECTRICAL  
TOUCH PROOF IEC60529 IP2X  
NOMINAL CURRENT UL1977 16A WITH AWG14 WIRE / 13A WITH AWG16 WIRE  
NOMINAL CURRENT IEC61984 16A WITH 2.5MM² WIRE / 13A WITH 1.5MM² WIRE AT 60°C
- NOMINAL VOLTAGE UL1977 600V  
NOMINAL VOLTAGE IEC61984 250VAC 4KV 4 FOR CLASS II  
IEC61984 500VAC 6KV 4 FOR CLASS I
- CONNECTOR BREAKING CAPACITY UL1977 277V 13A WITH AWG14/16 WIRES  
IEC61984 250VAC 13A 4KV 4
- ROHS COMPLIANT
- COUNTERPART REFERENCE UTL PLUG
  - CONNECTORS ARE DELIVERED AS PRE-ASSEMBLED KIT
  - CONNECTOR BLOCKS ACCEPTS TRIM TRIO CONTACTS #16, R\*M\* OR S\*M\* TYPES
  - CONTACTS TO BE ORDERED SEPARATELY.
  - WARNING: PHASE CONTACTS ARE MALE VERSION AND GROUND CONTACT IS FEMALE VERSION
  - UNIT IN MM

ECHELLE 3/1

PANEL CUT OUT



ECHELLE 2/1



ECHELLE 3/2

P/N	SHELL' S MATERIAL
UTL0103G1P	POLYAMID GLASS REINFORCED BLACK COLOR
UTL0103G1P03	POLYAMID GLASS REINFORCED LIGHT GREY COLOR

P/N : SEE TABLE

C	19/11/12	Change part number customer drawing	22725
ISS	DATE	UTS2-0005A-C01 by UTL1-0005A-C01	MOD N°
Designed by:		Latest modification - by: RIOUX.B	
Designed by: RAGAINÉ M.		Date: 18/04/12	CUSTOMER DRAWING
TITLE		MALE SQUARE FLANGE RECEPTACLE LAYOUT 4CTS	
TITLE		UTL CONNECTOR	
Scale	1/1	General linear Tolerances: ± 0,3	NPRDS / PROJECT UTL
SOURIAU Connection Technology		WWW.SOURIAU.COM	
FORMAT A2		SOURIAU DRG N° UTL1-0005A-C01	
		SHEET 1/1	
		NOT EXPORT CONTROLLED	

This document is the property of SOURIAU. It must not be reproduced or communicated without permission.