

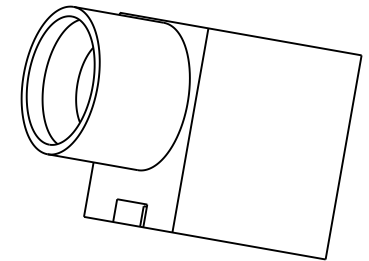
NOTES:

1. MATERIALS AND FINISHES:
 - BODY - BRASS, GOLD PLATING
 - COVER - BRASS, NICKEL PLATED
 - CONTACT - BERYLLIUM COPPER, GOLD PLATING
 - INSULATORS - PEEK
 - INSULATOR DISC - PTFE
2. ELECTRICAL:
 - A. IMPEDANCE: 50 OHM
 - B. FREQUENCY RANGE: DC - 6 GHz
 - C. DIELECTRIC WITHSTANDING VOLTAGE: 500 VRMS, MIN.
3. MECHANICAL:
 - A. DURABILITY: 100 CYCLES MIN.
 - B. TEMPERATURE RANGE: -55° C TO 155° C
4. PACKAGING: TAPE & REEL
 - A. QUANTITY: 1000 PCS / REEL
 - B. MARKING: REEL MARKED "AMPHENOL RF, 925-168J-5IPT AND DATE CODE"

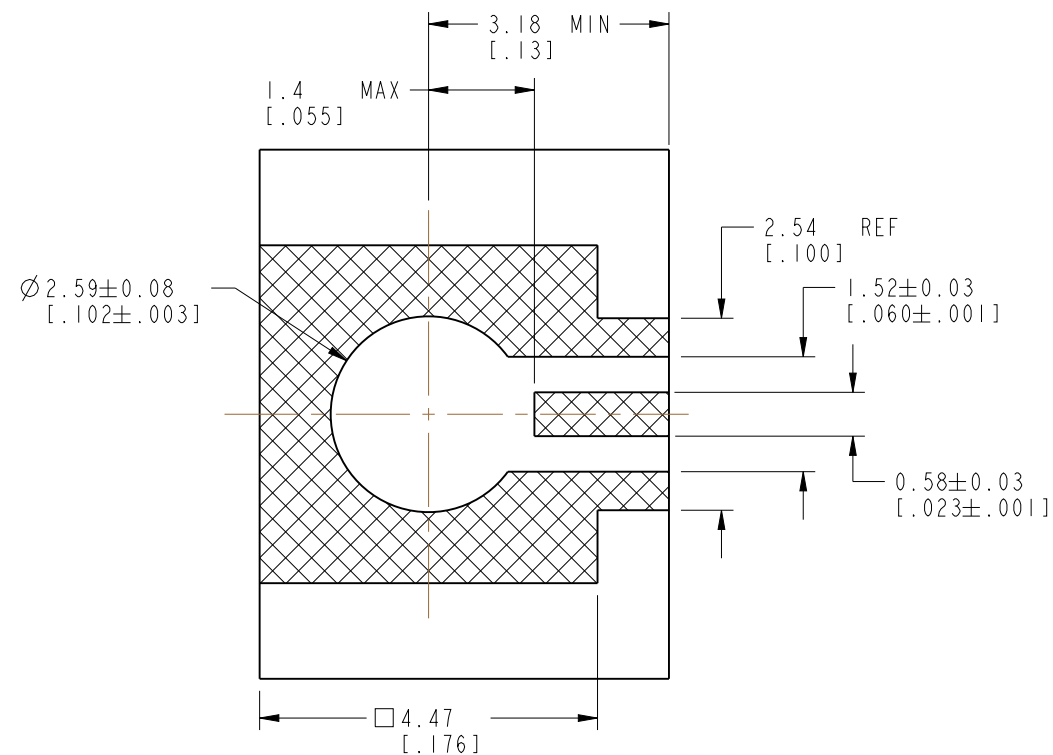
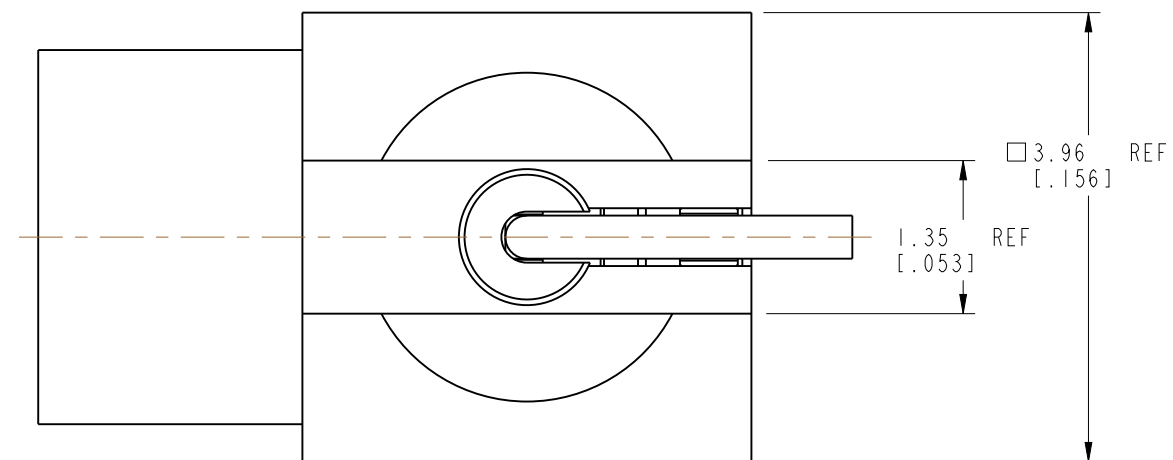
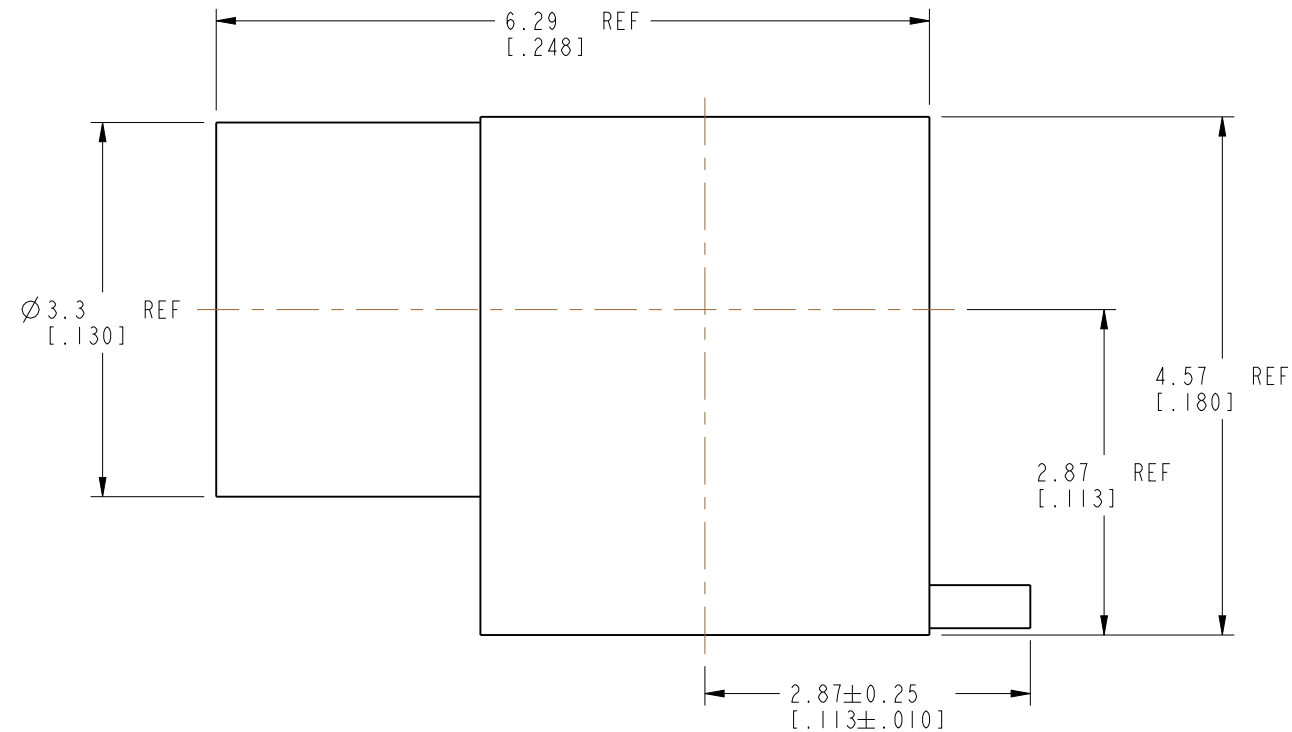
THIRD ANGLE PROJ.

REVISIONS

REV	DESCRIPTION	DATE	ECN	APPR
A	RELEASE TO MFG.	27-Mar-19	11023	EH



SCALE 6.000



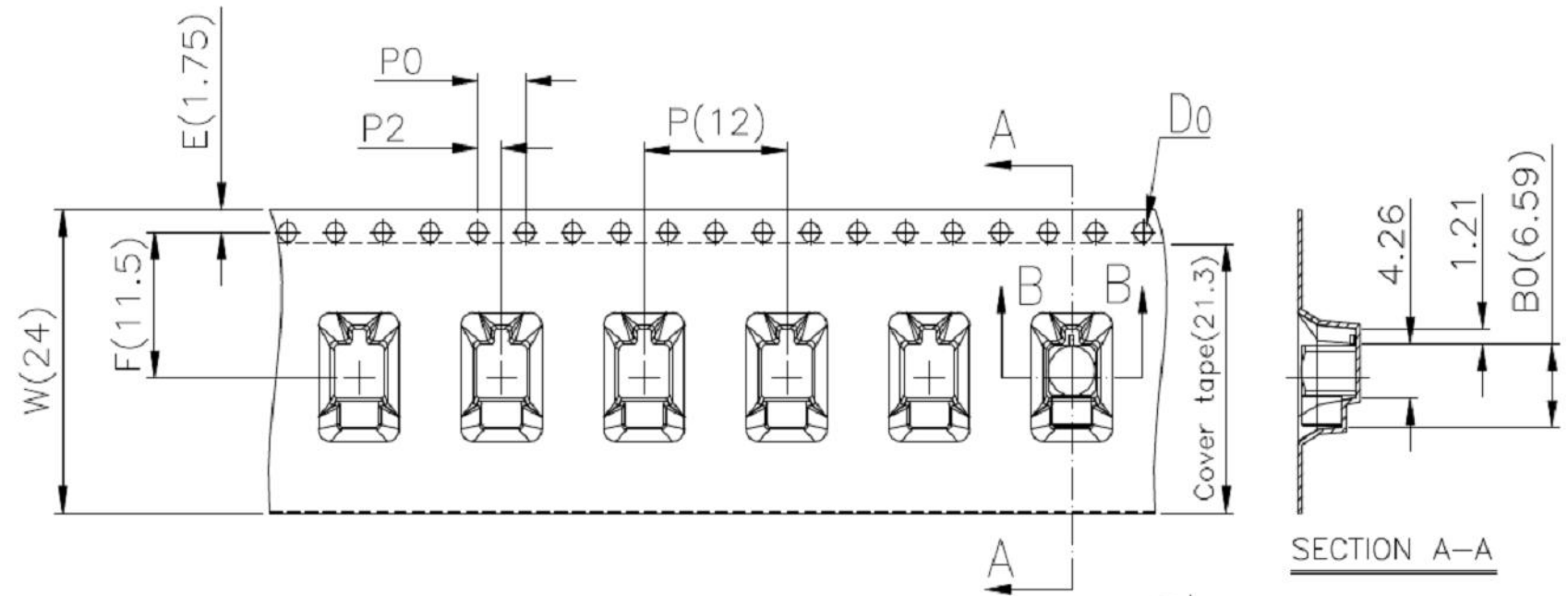
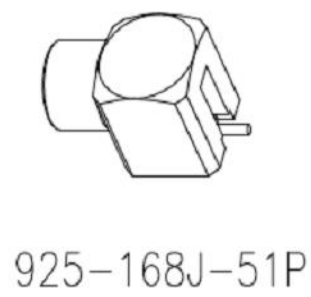
**RECOMMENDED
PCB LAYOUT**

CUSTOMER OUTLINE DRAWING

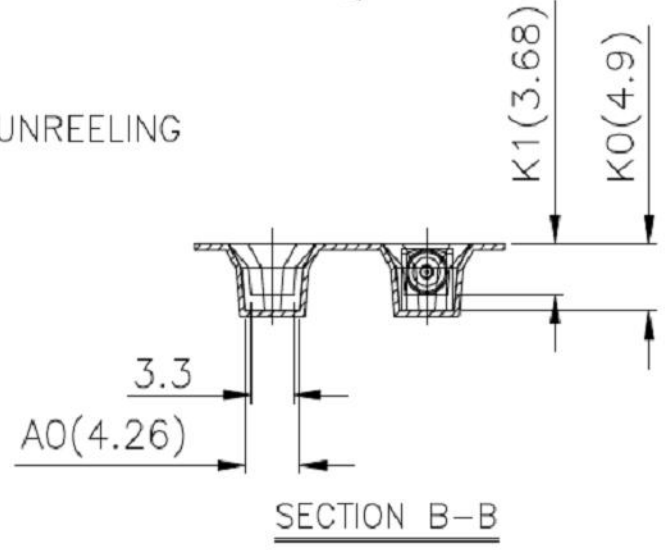
ALL OTHER SHEETS ARE FOR INTERNAL USE ONLY

UNLESS OTHERWISE SPECIFIED, DIMENSIONS ARE IN METRIC AND TOLERANCES ARE: <0.5mm ± 0.05mm 0.5 - 6mm ± 0.1mm 6 - 30mm ± 0.2mm 30 - 120mm ± 0.3mm ANGLES ± 1°	MATERIAL SEE NOTES	DRAWN B. WYMAN	DATE 16-Feb-17	TITLE SMPM JACK, R/A SURFACE MOUNT, FULL DETENT	Amphenol RF www.amphenolrf.com
	REFERENCE EAR# 7460 REF: 615X-3342	ENGINEER B. WYMAN	DATE 16-Feb-17		
NOTICE - These drawings, specifications, or other data (1) are, and remain the property of Amphenol corp. (2) must be returned upon request; and (3) are confidential and not to be disclosed to any person other than those to whom they are given by Amphenol Corp. the furnishing of these drawings, specifications, or other data by Amphenol Corp., or to any other person to anyone for any purpose is not to be regarded by implication or otherwise in any manner licensing, granting rights to permitting such holder or any other person to manufacture, use or sell any product, process or design, patented or otherwise, that may in any way be related to or disclosed by said drawings, specifications, or other data.	CONFIGURATION LEVEL: In Work	APPROVED K. CAPOZZI	DATE 27-Mar-19	DWG SIZE B	REV A
	FINISH	CAD FILE			DRAWING NO. 925-168J-5IPT ITEM NO. 925-168J-5IPT PART NO. 925-168J-5IPT

REV	DESCRIPTION	DATE	ECN	APPR
A	RELEASE TO MFG.	27-Mar-19	11023	EH



用户取件方向
CUSTOMER DIRECTION OF UNREELING



NOTES:

1. 10 sprocket holes pitch cumulative tolerance ± 0.20 mm.
2. Carrier camber not to exceed 1 mm in 250 mm.
3. A0 and B0 measured on a plane 0.3 mm above the bottom of the pocket.
4. K0 measured from a plane on the inside bottom of the pocket to the top surface of the carrier.
5. All dimensions meet EIA-481-D requirements.
6. Material: Black PS (RoHS Compliant)
7. Thickness: 0.40 ± 0.05 mm.
8. Packing length per 13" reel: 12.9 Meters.
9. Component loader per 13" reel: 1000 pcs.

注:未注公差为 ± 0.10

NOTE: ALL TOLERANCES ARE: ± 0.10 , EXCEPT WHERE NOTED

ITEM	W	A ₀	B ₀	K ₀	K ₁	P	F	E	D ₀	D ₁	P ₀	P ₂	T
DIM	24 ± 0.30	4.26 ± 0.10	6.59 ± 0.10	4.9 ± 0.10	3.68 ± 0.10	12.0 ± 0.10	11.5 ± 0.10	1.75 ± 0.10	1.50 ± 0.10 0.00		4.00 ± 0.10	2.00 ± 0.10	0.40 ± 0.05

UNLESS OTHERWISE SPECIFIED, DIMENSIONS ARE IN METRIC AND TOLERANCES ARE: <0.5mm ±0.05mm 0.5 - 6mm ±0.1mm 6 - 30mm ±0.2mm 30 - 120mm ±0.3mm ANGLES ±1°	MATERIAL	DRAWN	DATE	TITLE	Amphenol RF www.amphenolrf.com
	REFERENCE	B. WYMAN	16-Mar-17	TAPE & REEL PACKAGING REQUIREMENTS FOR P/N 925-168J-5IPT	
NOTICE - These drawings, specifications, or other data (1) are, and remain the property of Amphenol corp. (2) must be returned upon request; and (3) are confidential and not to be disclosed to any person other than those to whom they are given by Amphenol Corp. the furnishing of these drawings, specifications, or other data by Amphenol Corp., or to any other person to anyone for any purpose is not to be regarded by implication or otherwise in any manner licensing, granting rights to permitting such holder or any other person to manufacture, use or sell any product, process or design, patented or otherwise, that may in any way be related to or disclosed by said drawings, specifications, or other data.	EAR# 7460	ENGINEER	DATE	SCALE: 25.0:1.0 SHEET 3 OF 3	DRAWING NO. 925-168J-5IPT
	REF: 615X-3342	B. WYMAN	16-Mar-17		ITEM NO. 925-168J-5IPT
CONFIGURATION LEVEL: In Work		APPROVED	DATE	DWG SIZE	REV
FINISH		K. CAPOZZI	27-Mar-19	B	A
		CAD FILE			PART NO. 925-168J-5IPT