

Revision History

Sheet
1 of 1

measurement
SPECIALTIES

Model: 2001140

Approvals

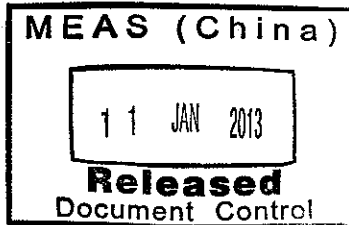
Document No.: D-2001140

ZHANG QI *Zhang Qi* JAN.09,13
Engineering Date

Ref Doc's:

Sales/Marketing *Jan 10, 2013* Date

DCN/ECN	Rev	Date	Revision	Drawn
02013	A	Mar.01,02	Color connector for supply&reversed	SYA
02014	B	Mar.05,02	Change cable from ALPHA 2404C to 3243. Remove note specs for connector "shell" & "receptacle" P/N 5	SYA
05022	C	Mar.15,02	Cable length was 3FT, and table with multiple lengths	SYA
05081	D	Sep.25,05	Cable type was ALPHA 3243	DLL
092870	E	Sep.02,09	Add material LIST	Henry Peng
092913	F	Oct.12,09	Change notes 2	Henry Peng
	G	Oct.12,09	Add dimension 1.2	Henry Peng
100957	H	Feb.10,10	Change note 3# pull force value	Center Wang
101137	J	Dec.15,10	ADD PN 2001140-2M	Light Peng
120453	K	Nov.27,12	ADD PN 2001140-R-XX FOR OPTION OF REVERSED SUPPLY.	Light Peng
120455	L	Dec.10,12	ADD PN 2001140--1M/5M AND 2001140-R-1M/5M	Light Peng
130501	M	JAN.09,13	ADD LABEL MSH03604 AND HEAT SHRINK TUBE C06820	Light Peng



CONFIDENTIAL: THIS DRAWING AND THE INFORMATION CONTAINED HEREIN IS THE PROPERTY OF MEASUREMENT SPECIALTIES, INC. AND SHALL NOT BE USED, REPRODUCED, PUBLISHED OR DISCLOSED TO OTHERS WITHOUT THE EXPRESS WRITTEN CONSENT OF MEASUREMENT SPECIALTIES, INC. ALL DATA SUBJECT TO CHANGE. CONSULT FACTORY FOR DETAILS.

THIS DRAWING AND THE INFORMATION CONTAINED HEREIN IS THE PROPERTY OF MEASUREMENT SPECIALTIES, INC. AND SHALL NOT BE USED, REPRODUCED, PUBLISHED OR DISCLOSED TO OTHERS WITHOUT THE EXPRESS WRITTEN CONSENT OF MEASUREMENT SPECIALTIES, INC.

Dimension 1' Matrix

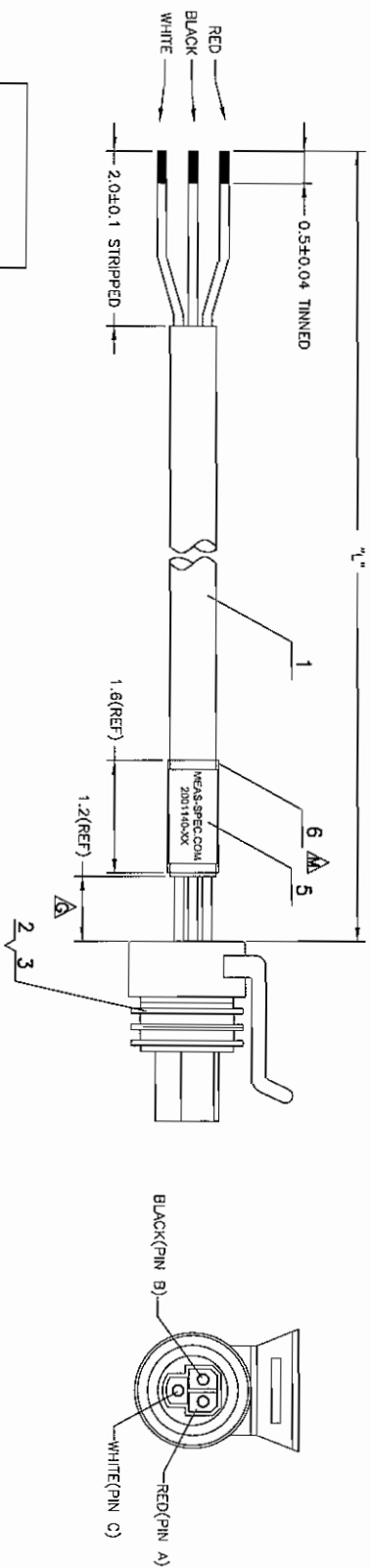
CABLE ASSEMBLY PART NO.	"L"
2001140-03	36.0 ^{+0.15"} _{0"}
2001140-06	72.0 ^{+0.30"} _{0"}
2001140-15	180.0 ^{+0.75"} _{0"}
2001140-2M	78.74 ^{+0.30"} _{0"}
2001140-1M	39.37 ^{+0.15"} _{0"}
2001140-5M	196.85 ^{+0.75"} _{0"}

MEAS (China)

11 JAN 2013

Released
Document Control

ECN	REV	DESCRIPTION	REVISIONS	DRAWN BY	DATE	APPROVED
02013	A	Color connector for supply/returned		SYA	Mar.01.02	TW
02014	B	Change cable from ALPHA 240C to 324S. Remove note space for connector. Respective P/N: 5		SYA	Mar.05.02	TW
05022	C	Cable length was 3ft and cable with multiple lengths		SYA	Mar.15.02	SAH
05081	D	Cable type was ALPHA 324S		DLL	Sep.25.05	SAH
082870	E	Add material LST		Henry Peng	Sep.02.08	
082913	F	Change notes 2		Henry Peng	Oct.12.09	
	G	Add dimension 1.2		Henry Peng	Oct.12.09	
100857	H	Change note 3# pull force value		Center Wang	Feb.10.10	
101137	J	ADD PN 2001140-2M		Light Pang	Dec.15.10	
120453	K	ADD PN 2001140-R-XX FOR OPTION OF REVERSED SUPPLY.		Light Pang	Nov.27.12	
120455	L	ADD PN 2001140-1M/5M AND 2001140-R-1M/5M		Light Pang	Dec.10.12	
130501	M	ADD LABEL MSH03604 AND HEAT SHRINK TUBE C08820		Light Pang	JAN.09.13	Zhang Qi



MEAS-SPEC.COM
2001140-XX

TEXT: MEAS-SPEC.COM
TEXT: CABLE ASSY: P/N

LABEL DETAIL A

Material List for Cable Assembly

ITEM NO.	PART NO.	TITLE	UNIT	QTY
1	C01020	CABLE ALPHA #240C	EA	SEE TABLE
2	C12340	PACKARD CONNECTOR P/N:12078090	EA	1
3	C12341	PIN TERMINAL P/N:12103881	EA	3
4	C00026	ANTI-STATIC BUBBLE BAG	EA	1
5	MSH03604	LABEL WHITE PAPER	EA	1
6	C06820	HEAT SHRINK TUBE DIA 6.0MM	FT	AR

- NOTES:
1. ANY OPEN, SHORT AND INTERMISSION ARE NOT PERMITTED.
 2. KEEP TIDY FOR THE WIRE ISOLATION AFTER CUTTING.
 3. TENSILE FORCE TEST AS FOLLOW: 8 POUND BETWEEN PACKARD CONNECTOR AND CABLE.
 4. ROHS COMPLIANCE.

UNLESS OTHERWISE SPECIFIED, ALL DIMENSIONS ON THIS DRAWING ARE IN INCHES.

TOLERANCES ARE AS FOLLOWS:

FRAXIONS	DECIMALS	ANGLES
±0.1	±0.015	±0.2
±0.005	±0.0005	

THIRD ANGLE PROJECTION

APPROVALS

DESIGNED BY	DATE
GRANN Henry Peng	Sep.07.09

CHECKED

APPROVED	DATE
Zhang Qi	Sep.07.09

FINISH: XXX

SCALE

SIZE	CAGE NO	DWG NO	REV
		D-2001140	M

SHEET 1 OF 2

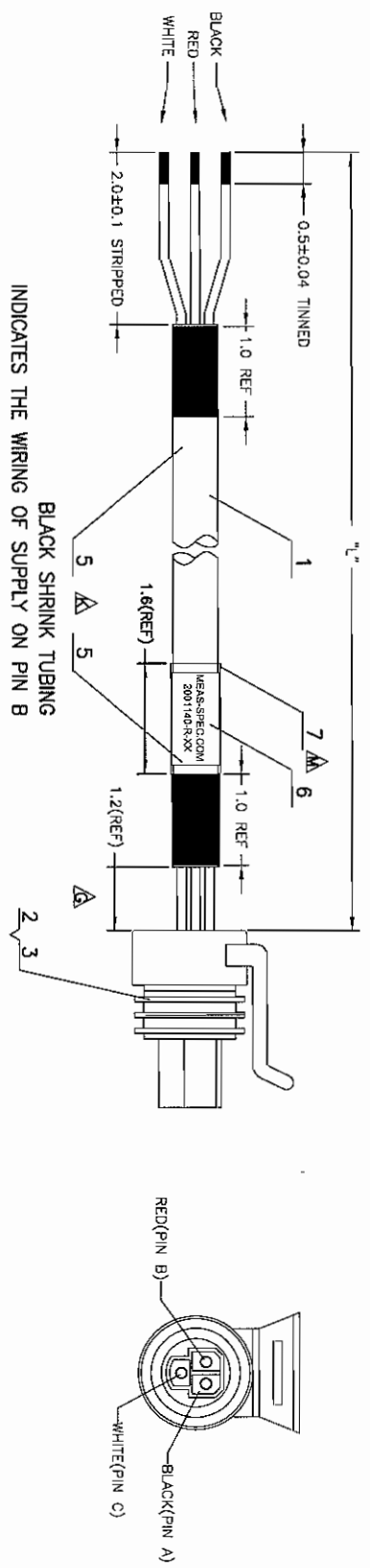
measurement
SPECIALTIES

MATING CONNECTOR TEST CABLE

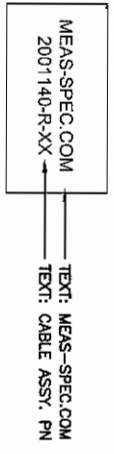
THIS DRAWING AND THE INFORMATION CONTAINED HEREIN IS THE PROPERTY OF MEASUREMENT SPECIALTIES, INC. AND SHALL NOT BE USED, REPRODUCED, PUBLISHED OR DISCLOSED TO OTHERS WITHOUT THE EXPRESS WRITTEN CONSENT OF MEASUREMENT SPECIALTIES, INC.

Dimension 'L' Matrix

CABLE ASSEMBLY PART NO.	"L"
2001140-R-03	36.0 ^{+0.15} ₀
2001140-R-06	72.0 ^{+0.30} ₀
2001140-R-15	180.0 ^{+0.75} ₀
2001140-R-2M	78.74 ^{+0.38} ₀
2001140-R-1M	39.37 ^{+0.16} ₀
2001140-R-5M	196.85 ^{+0.78} ₀



INDICATES THE WIRING OF SUPPLY ON PIN B



Material List for Cable Assembly

ITEM NO.	PART NO.	TITLE	UNIT	QTY
1	C01020	CABLE ALPHA #2404C	EA	SEE TABLE
2	C12340	PACKARD CONNECTOR P/N:12078090	EA	1
3	C12341	PIN TERMINAL P/N:12103881	EA	3
4	C00026	ANTI-STATIC BUBBLE BAG	EA	1
5	C01732	HEAT SHRINK(ADHESIVE-LINED)	EA	AR
6	MSH03604	LABEL WHITE PAPER	EA	1
7	C06820	HEAT SHRINK TUBE DIA 6.0MM	FT	AR

<p>UNLESS OTHERWISE SPECIFIED, ALL DIMENSIONS ON THIS DRAWING ARE IN INCHES</p> <p>TOLERANCES ARE AS FOLLOWS:</p> <p>FRACTIONS DECIMALS ANGLES</p> <p>±0.1 .XX ±0.01 ±Z</p> <p>.XX ±0.03</p> <p>.XX ±0.09</p>		<p>THIRD ANGLE PROJECTION</p>		<p>measurment SPECIALTIES</p>	
<p>APPROVALS</p> <p>BRANK Henry Peng Sep.07.09</p> <p>CHECKED</p> <p>APPROVED Zhang Qi Sep.07.09</p>		<p>DATE</p> <p>Sep.07.09</p>		<p>TITLE</p> <p>MATING CONNECTOR TEST CABLE</p>	
<p>MATERIAL: XXX</p> <p>FINISH: XXX</p>		<p>SIZE (CAGE NO)</p> <p>DWG NO</p> <p>D-2001140</p>		<p>SCALE</p> <p>SHEET 2 OF 2</p>	

