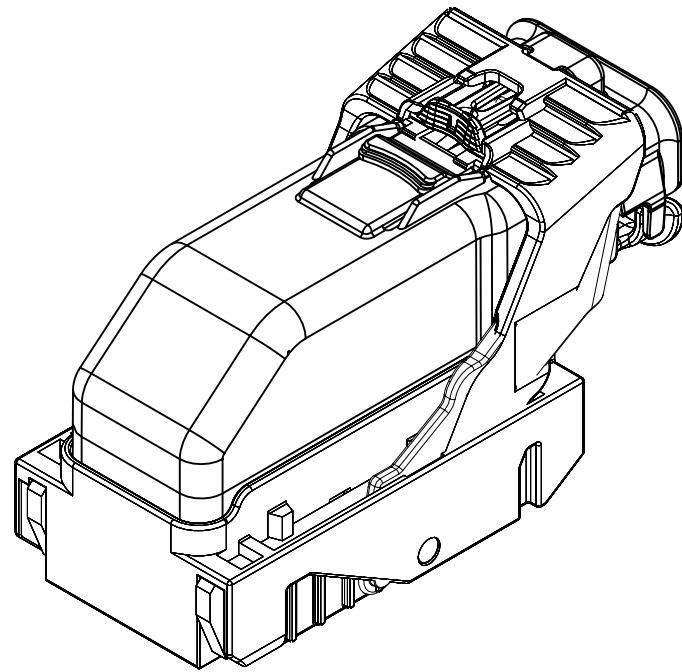

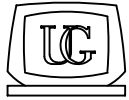


INDEX	
PAGE TITLE	PAGE
TITLE BLOCK	1
REVISION BLOCK	2
PART BLOCK	3
KPC BLOCK	4
COMPONENT TABLE	5
NOTES	6
NOTES	7
WIRE DRESS PACKAGING DIMENSIONS	8
LOCATION AND PACKAGING DIMENSIONS REFERENCING INTERFACE DATUMS B & C	9
LOCATION AND PACKAGING DIMENSIONS REFERENCING INTERFACE DATUM A	10
KEY ID REF - WIRE DRESS OPTION 0	11
KEY ID REF - WIRE DRESS OPTION 9	12
CIRCUIT CONFIGURATIONS	13
CIRCUIT CONFIGURATIONS	14
COMPONENT CONNECTOR INTERFACE	15
COMPONENT CONNECTOR INTERFACE	16
COMPONENT CONNECTOR INTERFACE	17
COMPONENT CONNECTOR INTERFACE	18
COMPONENT CONNECTOR INTERFACE	19
COMPONENT CONNECTOR INTERFACE	20
COMPONENT CONNECTOR INTERFACE	21




ISO VIEW

	<p>UNLESS OTHERWISE SPECIFIED: THIS DOCUMENT IS IN ACCORDANCE WITH ASME Y14.5M-1994 AS AMMENDED BY THE GM GLOBAL DIMENSIONING AND TOLERANCING ADDENDUM-1997. ALL GEOMETRIC TOLERANCES AND RELATED DATUMS APPLY RFS. RULE #1 (PERFECT FORM AT MMC) DOES NOT APPLY WHEN A RELATIONSHIP BETWEEN FEATURES IS ESTABLISHED BY ORIENTATION OR LOCATION TOLERANCES. SEPARATE POSITION CALLOUTS MAY BE GAGED SEPARATELY REGARDLESS OF DATUM REFERENCES.</p>			DATE						
	 CHANGE RESTRICTED NO MANUAL CHANGES	REFERENCE 12H (MOLEX AUTOMOTIVE)	DRAFTER J SZYMKOWSKI APVD1 D PFAFFINGER APVD2 B BURT APVD3 APVD4 APVD5	22DE05 22DE05 22DE05 						
DO NOT SCALE	DRAWING NAME HARNESS CONN ASM 66/73/80 CKTS									
METRIC DIMENSIONS SHOWN IN MILLIMETERS UNLESS OTHERWISE SPECIFIED	DRAWING NUMBER 12642695		DWG STATUS <table border="1"> <tr> <th>ST</th> <th>REV</th> <th>PD1</th> </tr> <tr> <td>R</td> <td>002</td> <td></td> </tr> </table>		ST	REV	PD1	R	002	
ST	REV	PD1								
R	002									
			PAGE NUMBER 1 OF 21							

PAGE	DWG STATUS					REVISION HISTORY	AUTH	DR	CK	ENG
	DATE	ST	REV	CHG	PDI					
	19DE11	R	001			RELEASED TO PRODUCTION AT DLS A	CRMRJB	SC	MRO	GF
3	08MY15	R	002	A		REORDERED PART BLOCK AND ADDED MASS CORRECTED P/N TYPO FROM 12562676 TO 12582676				
3, 5		R	002	B		ADDED 12659312, 12659313, 12653574 AND 12653575				
6		R	002	C		REMOVED NOTE 1 . D . 3 . C				
20		R	002	D		DIM 125 WAS 3.25 DIM 131 WAS 5.5	CRMRJD	DFK	MRO	GF

PAGE	DWG STATUS					REVISION HISTORY	AUTH	DR	CK	ENG
	DATE	ST	REV	CHG	PDI					

	PAGE TITLE	DRAWING NUMBER	DWG STATUS			PAGE NUMBER	
	REVISION BLOCK		12642695	ST	REV	PDI	2 OF 21
				R	002		

KEY PRODUCT CHARACTERISTICS
(IN ACCORDANCE WITH QN 1805 OR ON 1050)



SAFETY/COMPLIANCE

TOTAL ON
DRAWING

5



FIT/FUNCTION

LAST NO.
USED

5

NO	TYPE	DESCRIPTION	RATIONALE	PAGE/ZONE
1	F/F	32.68	IMPROVE CONNECTOR SYSTEM MATING	15
2	F/F	29.00	INSURE PROPER RELEASE OF LEVER	15
3	F/F	15.25	INSURE FINAL MATE POSITION	16
5	F/F	POSITIONAL TOLERANCE (2 PLACES)	INSURE CONNECTOR SYSTEM MATEABILITY	19



PAGE TITLE
KPC BLOCK

DRAWING NUMBER

12642695

DWG STATUS

ST	REV	PDI
----	-----	-----

R	002	
---	-----	--

PAGE NUMBER

4 OF 21

LINE	MFG.	MFG. P/N	GM P/N	EFFECTIVE DATE	APPLICABLE COMPONENTS	KEY OPTION	WIRE DRESS OPTION	KEY CONFIG.	COLOR	STATUS
					DESCRIPTION					
-										
1	MOLEX	34565-0003	12582676	02JN03	MX123 DRESS COVER 66/73/80 CKT	N/A	N/A	N/A	BLACK	AVAILABLE
2	MOLEX	34822-0013	12642692	01SP13	MX123 HRNS CONN ASSY 66 CKT	A	0	1458	BLACK	AVAILABLE
3	MOLEX	34822-0033	12659312	01SP13	MX123 HRNS CONN ASSY 66 CKT	C	0	2467	BLUE	AVAILABLE
4	MOLEX	34822-0023	12642693	01SP13	MX123 HRNS CONN ASSY 66 CKT	A	9	1458	BLACK	AVAILABLE
5	MOLEX	34822-0043	12659313	01SP13	MX123 HRNS CONN ASSY 66 CKT	C	9	2467	BLUE	AVAILABLE
6	MOLEX	34566-0103	12582677	11JN04	MX123 HRNS CONN ASSY 73 CKT	A	0	1458	BLACK	AVAILABLE
7	MOLEX	34566-0203	12582678	11JN04	MX123 HRNS CONN ASSY 73 CKT	B	0	1468	ST GRAY	AVAILABLE
8	MOLEX	34566-0303	12615654	09AP08	MX123 HRNS CONN ASSY 73 CKT	C	0	2467	BLUE	AVAILABLE
9	MOLEX	34566-0403	12647268	T.B.D	MX123 HRNS CONN ASSY 73 CKT	D	0	2367	BROWN	NOT ACTIVE
10	MOLEX	34566-0503	AMJ28633	T.B.D	MX123 HRNS CONN ASSY 73 CKT	E	0	2468	GREEN	NOT ACTIVE
11	MOLEX	34566-0603	12653574	05DC14	MX123 HRNS CONN ASSY 73 CKT	F	0	1357	NATURAL	AVAILABLE
12	MOLEX	34566-0703	12588057	09AP08	MX123 HRNS CONN ASSY 80 CKT	G	0	1358	BLUE	AVAILABLE
13	MOLEX	34566-0803	12588058	11JN04	MX123 HRNS CONN ASSY 80 CKT	H	0	2458	ST GRAY	AVAILABLE
14	MOLEX	34566-0903	12615656	T.B.D	MX123 HRNS CONN ASSY 80 CKT	J	0	2457	BLACK	NOT ACTIVE
15	MOLEX	34566-1003	AMJ28595	T.B.D	MX123 HRNS CONN ASSY 80 CKT	K	0	2357	BROWN	NOT ACTIVE
16	MOLEX	34566-1103	AMJ29057	T.B.D	MX123 HRNS CONN ASSY 80 CKT	L	0	2368	GREEN	NOT ACTIVE
17	MOLEX	34566-1203	AMJ28669	T.B.D	MX123 HRNS CONN ASSY 80 CKT	M	0	2358	NATURAL	NOT ACTIVE
18	MOLEX	34566-1303	12603596	11JN04	MX123 HRNS CONN ASSY 73 CKT	A	9	1458	BLACK	AVAILABLE
19	MOLEX	34566-1403	12603597	11JN04	MX123 HRNS CONN ASSY 73 CKT	B	9	1468	ST GRAY	AVAILABLE
20	MOLEX	34566-1503	12615655	09AP08	MX123 HRNS CONN ASSY 73 CKT	C	9	2467	BLUE	AVAILABLE
21	MOLEX	34566-1603	12647269	T.B.D	MX123 HRNS CONN ASSY 73 CKT	D	9	2367	BROWN	NOT ACTIVE
22	MOLEX	34566-1703	AMJ28698	T.B.D	MX123 HRNS CONN ASSY 73 CKT	E	9	2468	GREEN	NOT ACTIVE
23	MOLEX	34566-1803	12653575	05DC14	MX123 HRNS CONN ASSY 73 CKT	F	9	1357	NATURAL	AVAILABLE
24	MOLEX	34566-1903	12603598	09AP08	MX123 HRNS CONN ASSY 80 CKT	G	9	1358	BLUE	AVAILABLE
25	MOLEX	34566-2003	12603599	11JN04	MX123 HRNS CONN ASSY 80 CKT	H	9	2458	ST GRAY	AVAILABLE
26	MOLEX	34566-2103	12615657	T.B.D	MX123 HRNS CONN ASSY 80 CKT	J	9	2457	BLACK	NOT ACTIVE
27	MOLEX	34566-2203	AMJ29117	T.B.D	MX123 HRNS CONN ASSY 80 CKT	K	9	2357	BROWN	NOT ACTIVE
28	MOLEX	34566-2303	AMJ29136	T.B.D	MX123 HRNS CONN ASSY 80 CKT	L	9	2368	GREEN	NOT ACTIVE
29	MOLEX	34566-2403	AMJ29214	T.B.D	MX123 HRNS CONN ASSY 80 CKT	M	9	2358	NATURAL	NOT ACTIVE
30	MOLEX	34736-2002	12642697	01AU10	MX64 RCPT TERM Ag 18/20 GAGE B (RIGHT PAYOFF)	N/A	N/A	N/A	N/A	AVAILABLE
31	MOLEX	34736-2001	12642696	01AU10	MX64 RCPT TERM Ag 22 GAGE B (RIGHT PAYOFF)	N/A	N/A	N/A	N/A	AVAILABLE
32	MOLEX	34586-0001	T.B.D.	11JN04	MX123 0.64MM GROMMET PLUG	N/A	N/A	N/A	NATURAL	AVAILABLE
33	YAZAKI	7116-4150-02	12588066	02JN03	2.8mm YESC SEALED FEMALE TERMINAL TIN 20/22 GAGE (CABLE RANGE 0.30mm-0.60mm)	N/A	N/A	N/A	N/A	NOT ACTIVE
34	YAZAKI	7116-4151-02	12588067	02JN03	2.8mm YESC SEALED FEMALE TERMINAL TIN 16/18 GAGE (CABLE RANGE 0.75mm-1.40mm)	N/A	N/A	N/A	N/A	NOT ACTIVE
35	YAZAKI	7116-4152-02	12582685	02JN03	2.8mm YESC SEALED FEMALE TERMINAL TIN 14 GAGE (CABLE RANGE 1.50mm-2.50mm)	N/A	N/A	N/A	N/A	AVAILABLE
36	YAZAKI	7158-3111-60	12588068	02JN03	2.8mm CABLE SEAL (wire O.D. range 1.20mm-1.90mm)	N/A	N/A	N/A	GREEN	NOT ACTIVE
37	YAZAKI	7158-3112-70	12588069	02JN03	2.8mm CABLE SEAL (wire O.D. range 1.80mm-2.30mm)	N/A	N/A	N/A	YELLOW	NOT ACTIVE
38	YAZAKI	7158-3113-40	12582686	02JN03	2.8mm CABLE SEAL (wire O.D. range 2.18mm-3.00mm)	N/A	N/A	N/A	WHITE	AVAILABLE
39	YAZAKI	7158-3114-90	T.B.D	02JN03	2.8mm YESC CAVITY PLUG	N/A	N/A	N/A	BLUE	AVAILABLE
40	MOLEX	63811-4200	XX019825	02JN03	MX64 TERM HAND CRIMP TOOL	N/A	N/A	N/A	N/A	AVAILABLE
41	MOLEX	63813-1400	XX019826	02JN03	MX64 TERM SERVICE TOOL	N/A	N/A	N/A	N/A	AVAILABLE
42	MOLEX	63865-8000	XX019827	02JN03	MX64 CRIMP APPLICATOR with TOOL KIT 18/20 GAGE PAYOFF DIRECTION D (left payoff) (contact Molex for payoff detail)	N/A	N/A	N/A	N/A	AVAILABLE
43	MOLEX	63865-8070	XX019828	02JN03	MX64 APPLICATOR TOOL KIT 18/20 GAGE	N/A	N/A	N/A	N/A	AVAILABLE
44	MOLEX	63865-8100	XX019829	02JN03	MX64 CRIMP APPLICATOR with TOOL KIT 22 GAGE PAYOFF DIRECTION D (left payoff) (contact Molex for payoff detail)	N/A	N/A	N/A	N/A	AVAILABLE
45	MOLEX	63865-8170	XX019830	02JN03	MX64 APPLICATOR TOOL KIT 22 GAGE	N/A	N/A	N/A	N/A	AVAILABLE
46	SPX	J35616-64	T.B.D.	02JN03	0.64mm PROBE TOOL (for rcpt)	N/A	N/A	N/A	N/A	AVAILABLE
47	SPX	J35616-64A	T.B.D.	02JN03	0.64mm PROBE TOOL WITH EXT (for rcpt)	N/A	N/A	N/A	N/A	AVAILABLE
48	SPX	J35616-65	T.B.D.	02JN03	0.64mm PROBE TOOL WITH EXT (for pin)	N/A	N/A	N/A	N/A	AVAILABLE
49	SPX	J35616-4A	T.B.D.	02JN03	2.8mm PROBE TOOL (for rcpt)	N/A	N/A	N/A	N/A	AVAILABLE
50	YAZAKI	X39899-J374	12094430	02JN03	2.8mm TERM SERVICE TOOL	N/A	N/A	N/A	N/A	AVAILABLE

002B

* - MX123 DRESS COVER 73/80/66 CKT MATES TO ANY MX123 HARN CONN ASSY SHOWN ON TABLE ABOVE



PAGE TITLE
COMPONENT TABLE

DRAWING NUMBER

12642695

DWG STATUS

ST	REV	PD1
R	002	

PAGE NUMBER

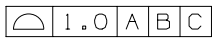
5 OF 21

NOTES: UNLESS OTHERWISE SPECIFIED

1. MATERIAL FOR INTERFACE:

- A. RESIN:
 - 1. 30% G.F. PBT; 20% MAX. (BY WEIGHT) REGRIND.
 - 2. MATING CONNECTOR INTERFACE PART COLOR MUST BE SAME AS MATCHING KEYED HARNESS CONNECTOR ASSEMBLY.
 - 3. MUST BE VALIDATED FOR INDIVIDUAL DEVICE APPLICATION REQUIREMENTS.
- B. 0.64MM PINS:
 - 1. BASE MATERIAL: COPPER ALLOY; CONDUCTIVITY >= 28% IACS AT 20°C; TENSILE STRENGTH >= 635 N/mm²; SURFACE ROUGHNESS R_a 6 MAX.
 - 2. PLATING FINISH: SILVER (Ag). PLATING TO BE 1.9-3.3 μm ELECTRODEPOSITED SEMI-BRIGHT SILVER OVER 1.25-2.25 μm DUCTILE SULPHAMATE NICKEL PER NOTE 1(D).
 - 3. ANTI-TARNISH: SYNTHETIC HYDROCARBON CONTACT SURFACE FINISH OR EQUIVALENT APPLIED WITHOUT VOID TO CONTACT AREA (MIN 3.7mm FROM PIN TIP).
- C. 2.8MM BLADE:
 - 1. BASE MATERIAL: COPPER ALLOY; CONDUCTIVITY >= 28% IACS AT 20°C; TENSILE STRENGTH >= 350 N/mm²; SURFACE ROUGHNESS R_a 6 MAX.
 - 2. PLATING FINISH: TIN. PLATING TO BE 2.5-5.0 μm ELECTRODEPOSITED TIN, MATTE FINISH OVER 1.25-2.5 μm DUCTILE SULPHAMATE NICKEL PER NOTE 1(D).
- D. PLATING REQUIREMENTS:
 - 1. SILVER PLATING
 - a. 99.5% PURE SEMI-BRIGHT WITH NO ORGANIC BRIGHTNERS OR CHROMATES.
 - 2. NICKEL PLATING
 - a. ELECTRODEPOSITED DUCTILE SULFAMATE NICKEL WITH A NON-BRIGHTENED FINISH. NO ORGANIC OR BRIGHTENING AGENTS SHALL BE ALLOWED.
 - b. SHALL ONLY BE USED AS AN UNDERLYING PLATING AND MAY NOT BE USED AS AN ELECTRICAL CONTACT SURFACE PLATING.
 - c. SHALL BE NODULE FREE WHEN VIEWED AT 10X MAGNIFICATION IN MEASURED IN CONTACT SURFACE AREA PLUS 0.5MM PERIMETER AROUND THE CONTACT SURFACE AREA.
 - d. ALL PLATINGS SHALL HAVE A 1.0% MAXIMUM BY WEIGHT IMPURITIES. IMPURITIES ARE DEFINED AS ALL ELEMENTS NOT THE PRIMARY PLATING OR HARDENING AGENT IF APPLICABLE, AS DETERMINED BY WET CHEMICAL ANALYSIS OR AUGER METHOD. NO SINGLE IMPURITY SHALL EXCEED 0.1% MAXIMUM BY WEIGHT.
 - 3. TESTING
 - a. THICKNESS TO BE MEASURED IN CONTACT SURFACE AREA PLUS 0.5MM PERIMETER AROUND THE CONTACT SURFACE AREA AS DESIGNATED IN THE DRAWING. THICKNESS SHALL BE DETERMINED BY METHOD OF X-RAY (XRF).
 - b. PLATING ADHESION SHALL BE TESTED BY A BEND TEST FOR ALL METALS. THE TEST SAMPLE SHALL BE BENT 90 DEGREES TO DETERMINE DEPOSIT ADHESION. TESTING SHALL BE COMPLETED IN ACCORDANCE WITH ASTM SPEC B571.


2. DESIGN - GENERAL:

- A. THIS IS A 100% CAD GENERATED PART. THE CAD MATHEMATICAL DATA IS THE MASTER FOR THIS PART. FOR DIMENSIONAL OR ANY INFORMATION NOT SHOWN ON THIS DRAWING, ANALYZE THE CAD MODEL.
- B. TOLERANCES:
 - 1. LINEAR
 - 0.X ± 0.30
 - 0.XX ± 0.10
 - 0.XXX ± 0.10
 - 2. ANGULAR X° ± 3°
 - 3. 
- C. MINIMUM WALL THICKNESS REQUIRED: 1.3mm.
- D. CORNERS SHOWN AS SHARP TO BE R 0.2 MAX.
- E. LETTERING SHALL BE 0.15 MAX RAISED IN 0.20 MAX RECESS PAD. THIS INCLUDES MATERIAL CODE, RECYCLING CODE, CAVITY ID AND DATE CODE.
- F-1. PARTS MUST BE FREE OF DISCOLORATION, SALT RESIDUE AND OTHER IMPERFECTIONS THAT AFFECT FIT OR FUNCTION.
- F-2. SCRATCHES OR DENTS NOT TO EXCEED 0.013mm IN DEPTH.
- G. FOLLOWING PRODUCTION CODES TO BE PERMANENTLY MARKED & HUMAN READABLE TO A LETTER HEIGHT OF 1.5 ± 0.5MM X 0.3 MAX DEEP
 - 1. MATERIAL #: XXXXX-XXXX
 - 2. DATE CODE: JJYY (JULIAN DAY, LAST DIGIT OF YEAR)
 - 3. INSPECTION MACHINE CODE + SERIAL #: X_XXXXX

3. DESIGN - MANUFACTURING:

- A. DRAFT TO BE WITHIN TOLERANCE.
- B. ALLOWABLE FLASH MAX 0.2 HIGH X MAX 0.13 THICK.
- C. ALLOWABLE PARTING LINE MISMATCH 0.2 MAX.
- D. EJECTOR PINS MARK TO BE FLUSH TO 0.25 MAX DEPRESSED.
- E. ALLOWABLE GATE VESTIGE FLUSH TO 0.25 MAX PROTRUSION.
- F. NO EXTERNAL MOLD RELEASE AGENT ALLOWED DURING MANUFACTURING.
- G. STEEL THAT FORMS THE INDICATED SURFACE MUST BE POLISHED WITH A DIAMOND FINISH (SPI A-2) OVER THE FULL PERIPHERY OF THE TOOL. SURFACE MUST HAVE NO MISMATCH.
- H. ANY PROCESS LUBRICANT REMAINING ON THE TERMINAL MUST NOT VARNISH OR DEGRADE IT'S ELECTRICAL PERFORMANCE UP TO A MAXIMUM CLASS AMBIENT TEMPERATURE PER SAE USCAR-2 FOR 1008 HOURS. PROCESS LUBRICANTS SHOULD BE APPROVED BY THE RESPONSIBLE ENGINEER.
- J. OPTIONAL FEATURES PROVIDED FOR AUTOMATION.
- K. PART MUST BE FREE FROM BURRS AND SHARP EDGES, WHICH MIGHT BE DETRIMENTAL TO SATISFACTORY ASSEMBLY, SAFE HANDLING OR FUNCTION OF PART.
- L. PARTS AS DELIVERED TO ASSEMBLY SHALL BE CLEAN AND FREE OF DEBRIS, RESIDUAL ABRASIVE MATERIAL AND CORROSION PRODUCTS ADVERESLY AFFECTING FUNCTION OR APPEARENCE.
- M. RESTRICTED AND REPORTABLE SUBSTANCES FOR PARTS PER GMW3059.

002C

	PAGE TITLE	DRAWING NUMBER	DWG STATUS			PAGE NUMBER	
	NOTES		12642695	ST	REV	PDI	6 OF 21
				R	002		

NOTES: UNLESS OTHERWISE SPECIFIED

4. SYSTEM REQUIREMENTS:

- A. HARNESS CONNECTOR IS COMPATIBLE WITH THE FOLLOWING SAE WIRE SIZE NO'S:
 - 14, MEETING SAE J1128
 - 18, MEETING SAE J1128, MAX O.D. OF 2.06 MM
 - 20, MEETING SAE J1128
 - 22, MEETING SAE J1128, MIN O.D. OF 1.47 MM
- B. CABLE TIE SPECIFICATIONS:
 - 1. CABLE TIE:
 - TENSILE RATING: 220N / (50lbs) MIN
 - TIE LENGTH: 186mm MIN
 - TIE WIDTH: 4.75mm MAX
 - MATERIAL: NYLON
 - 2. INSTALLATION:
 - CABLE TIE TENSION: 190N MIN
 - 3. DRESSED WIRE BUNDLE PACKAGING: SEE FIG. 1
- C. WHEN MATED WITH COMPONENT CONNECTOR INTERFACE AND/OR DRESS COVER, HARNESS CONNECTOR SYSTEM CONFORMS TO THE FOLLOWING:
 - 1. SAE/USCAR-2, REV: 3 APRIL, 2001; CLASS 3
 - 2. FIELD CORRELATED LIFE TEST, SAE/USCAR-20, NOV. 2001
 - 3. GMW #3191 AUGUST 22, 2000 (DRAFT); TEMPERATURE CLASS 3, SEALING CLASS 1, VIBRATION CLASS 2
 - 4. RESTRICTED AND REPORTABLE CHEMICALS PER GMW #3059, REV: D AUGUST 2002
 - 5. TPA USER FORCES (FULLY POPULATED WITH TERMINALS)
 - a. REMOVAL FROM LOCK TO PRE-SET: <=120N
- D. WIRE SPECIFICATIONS:
 - 1. WIRE SURFACE MUST BE FREE OF SCRATCHES, GROOVES OR DENTS WHERE FUNCTIONAL

5. TERMINAL CURRENT RATINGS:

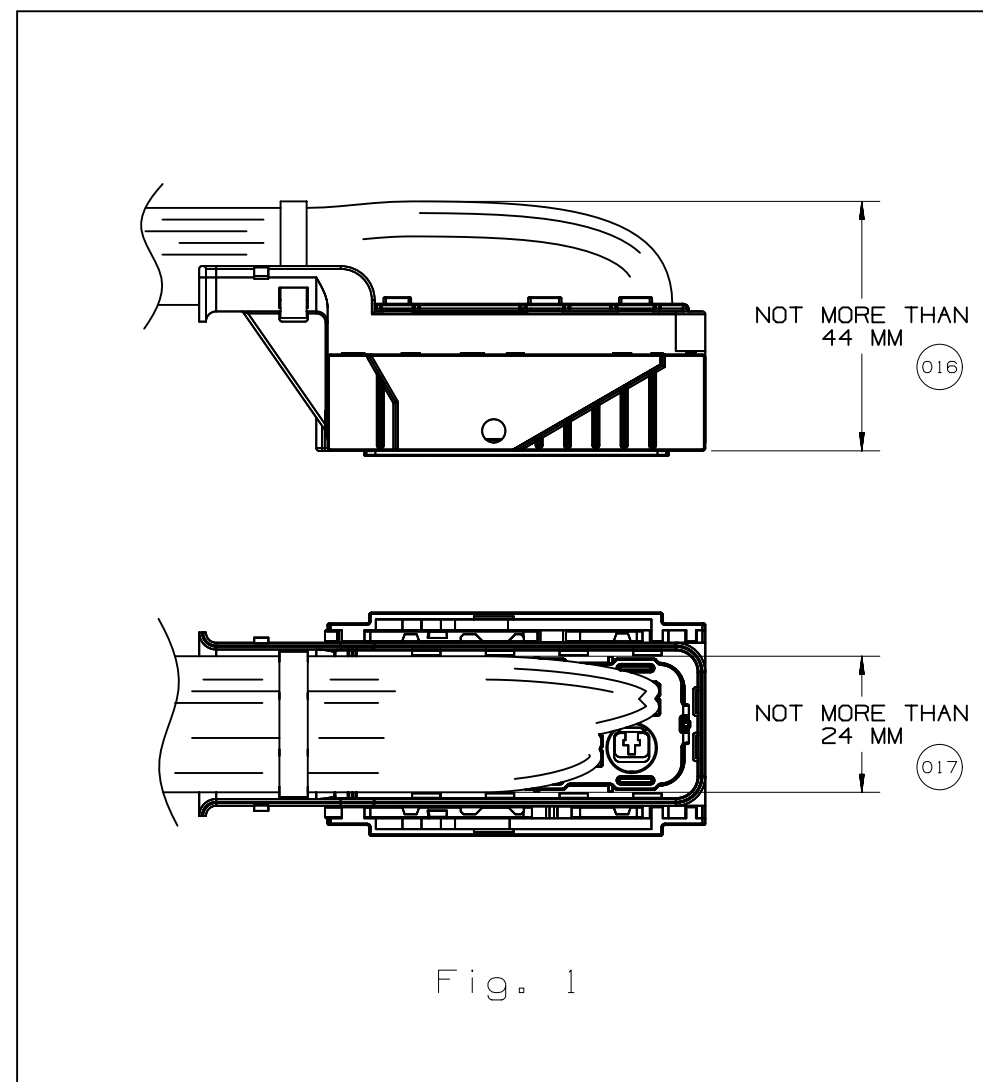
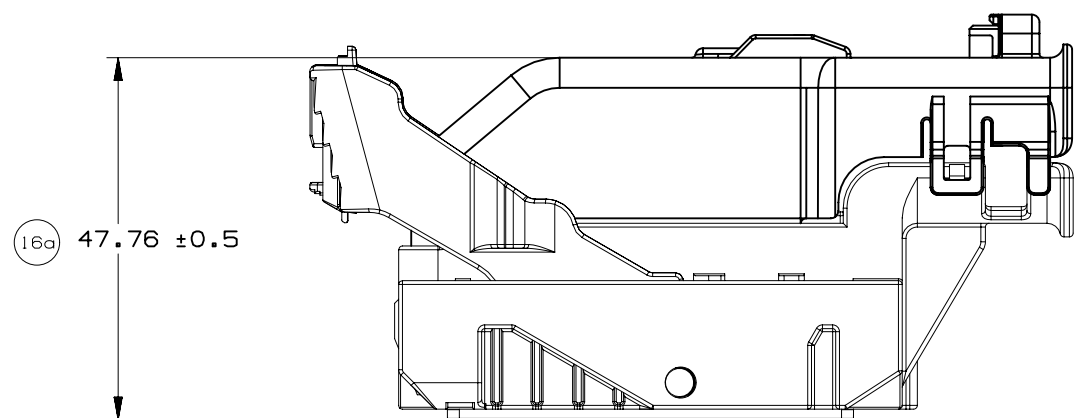
ALL TESTING DONE IN ACCORDANCE WITH USCAR-2 REV5 SECTION 5.3

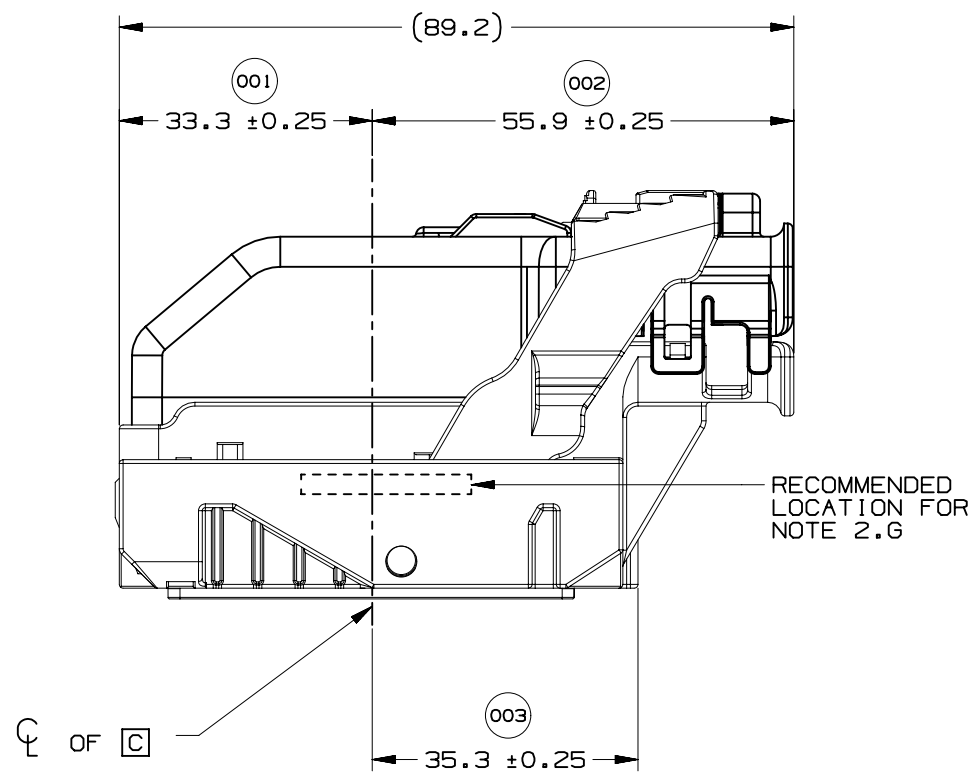
- A. MX64 RCPT TERM
 - 1. MX64 RCPT TERM Ag 18/20 GAGE CRIMPED TO SAE WIRE SIZE NO.18 AND MATED TO MX123 0.64MM PIN: 11.3 AMPS
 - 2. MX64 RCPT TERM Ag 22 GAGE CRIMPED TO SAE WIRE SIZE NO.22 AND MATED TO MX123 0.64MM PIN:8.5 AMPS

WIRE	CURRENT RATING			
	23°C	85°C	105°C	125°C
18AWG	11.3A	11.3A	9.5A	6.6A
20AWG	10.0A	10.0A	8.3A	5.7A
22AWG	8.6A	8.6A	7.1A	5.0A

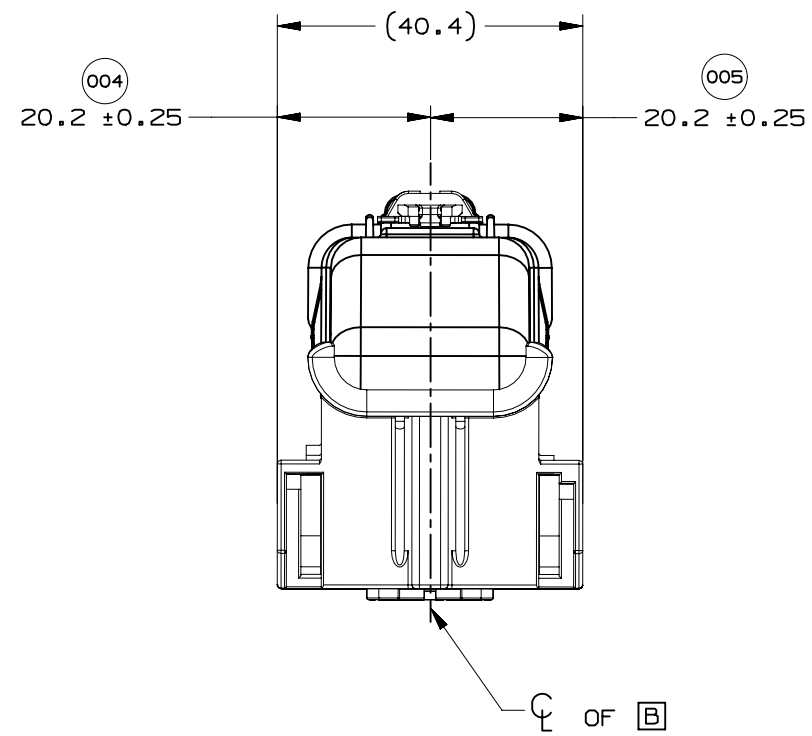
- B. 2.8MM RCPT TERM
 - 1. 2.8MM RCPT TERM TIN 14 GAGE CRIMPED TO SAE WIRE SIZE NO.14 AND MATED TO MX123 2.8MM BLADE: 25.6 AMPS

6. CONTACT MOLEX AUTOMOTIVE FOR AVAILABLE CUSTOM PATTERNS OF CAVITIES OPEN FOR CIRCUITS

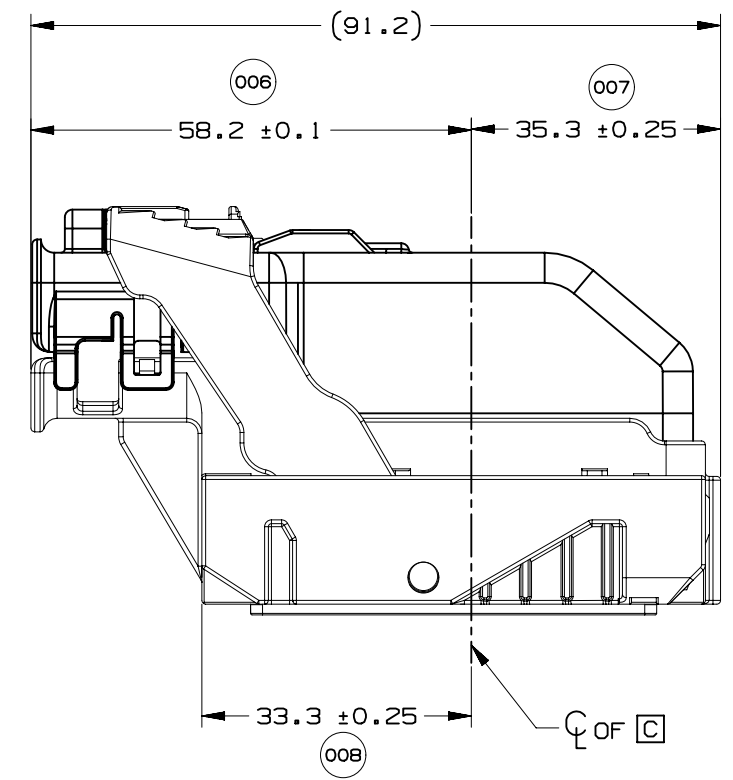




WIRE DRESS OPTION 0 SHOWN

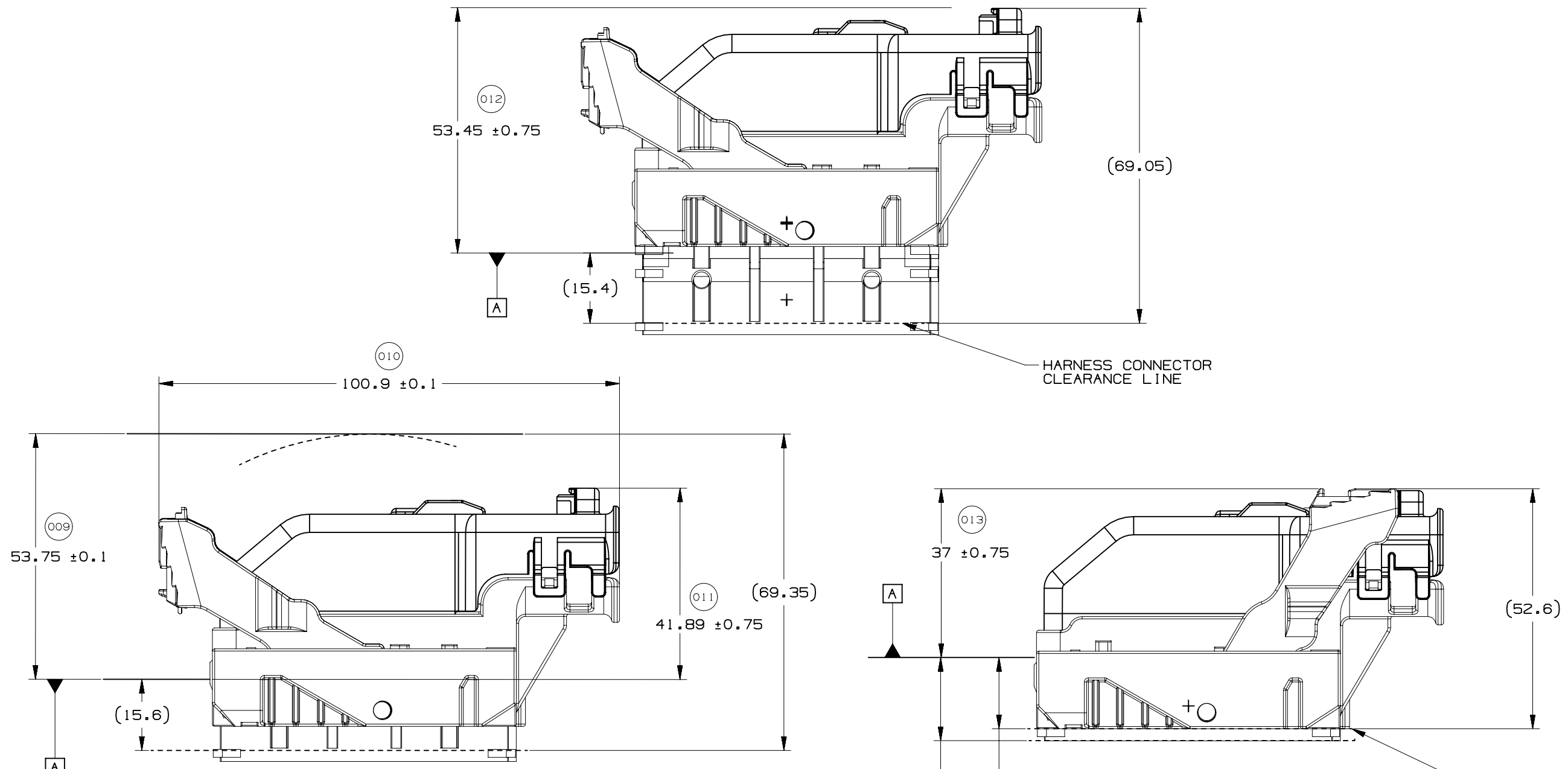


WIRE DRESS OPTION 0 SHOWN



WIRE DRESS OPTION 9 SHOWN





HARNESS CONNECTOR CLEARANCE LINE

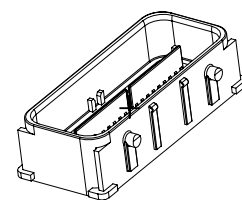
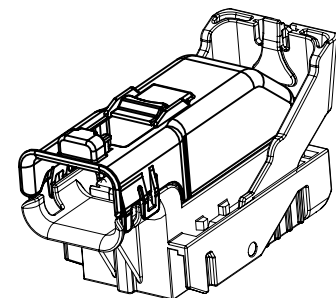
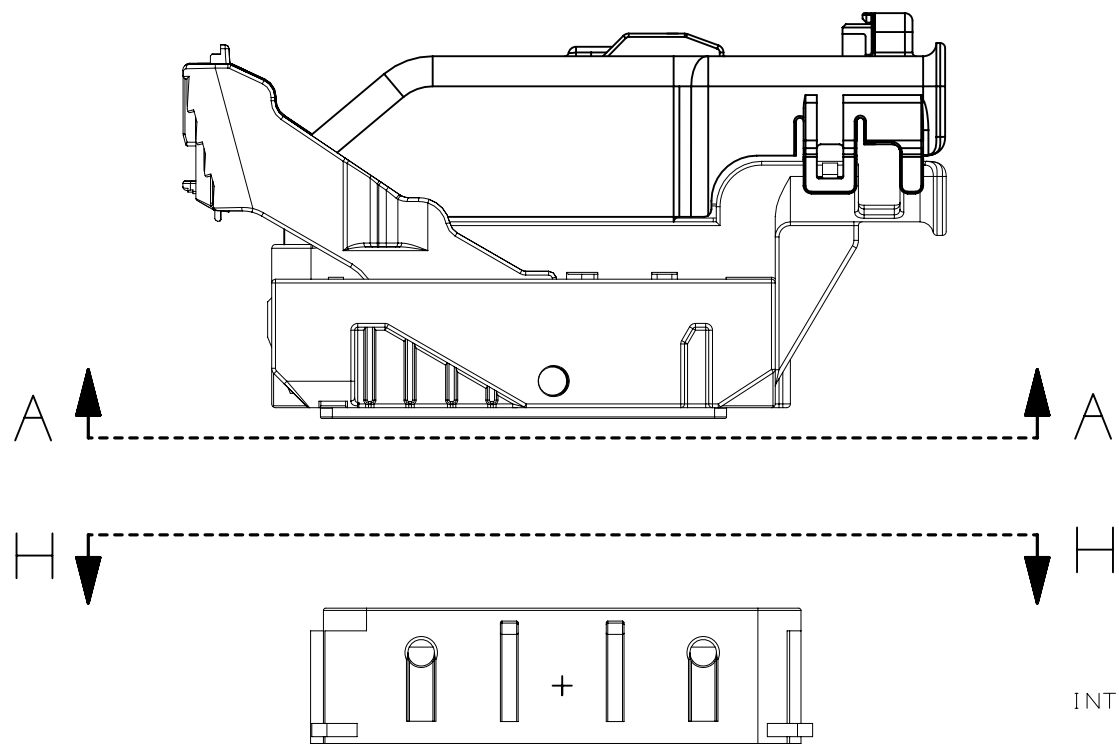
HARNESS CONNECTOR ASSEMBLY IN FULLY-MATED POSITION

HARNESS CONNECTOR CLEARANCE LINE

15.6 MIN. ALL AROUND CLEARANCE REQUIRED FOR HARNESS CONNECTOR (014)

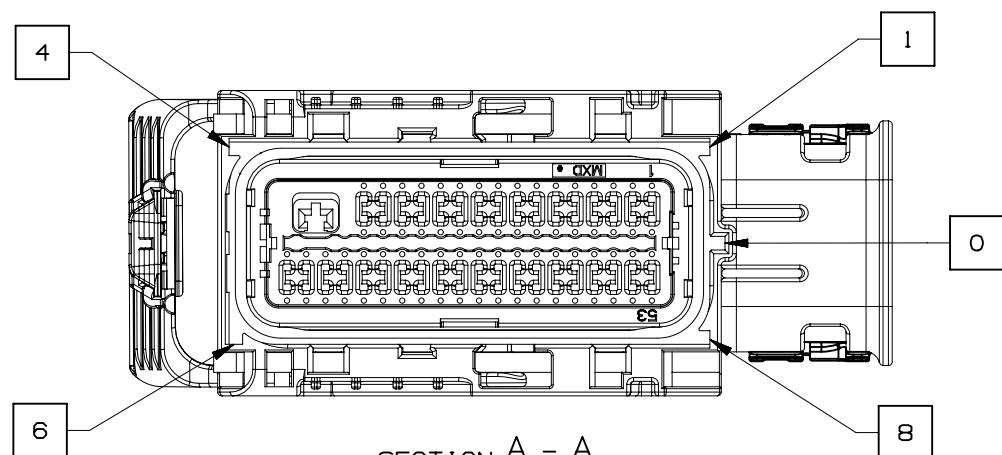
17.9 MIN. AT PAD LOCATION CLEARANCE REQUIRED FOR HARNESS CONNECTOR CONSTRUCTION BELOW THIS PLANE IS NOT CONTROLLED (015)

	PAGE TITLE		DRAWING NUMBER		DWG STATUS			PAGE NUMBER	
	LOCATION AND PACKAGING DIMENSIONS		12642695		ST	REV	PD1	10 OF 21	
	REFERENCING INTERFACE DATUM A				R	002			

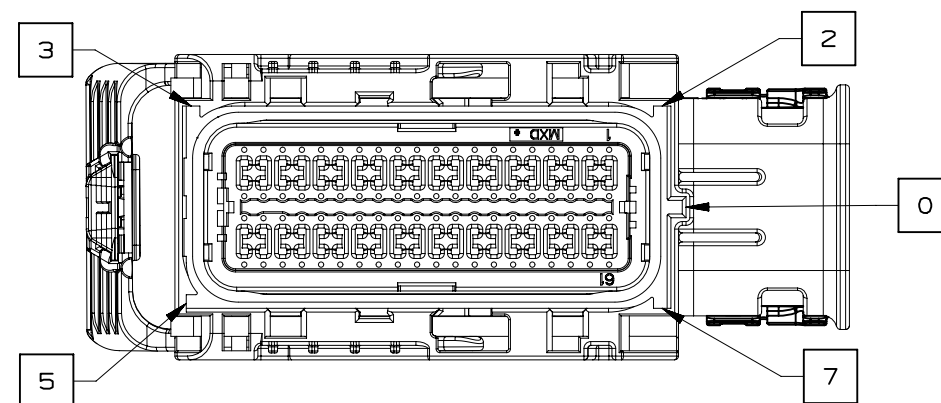


NOTE: REFERENCE THE COMPONENT TABLE FOR KEY OPTIONS AND CONFIGURATIONS

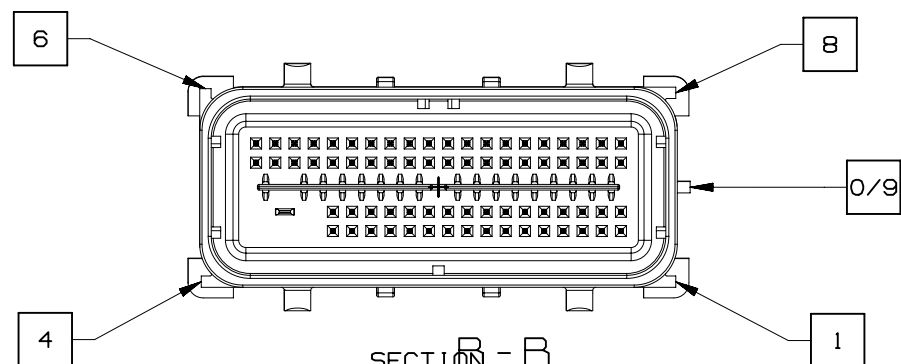
INTERFACE SIDE SHOWN ON ALL SECTION VIEWS



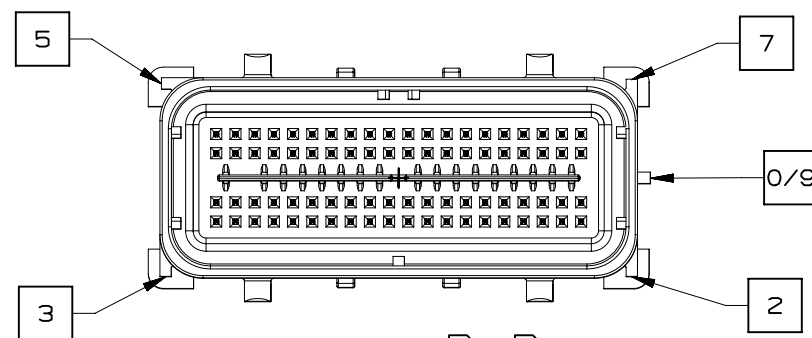
SECTION A - A
KEY OPTION B SHOWN



SECTION A - A
KEY OPTION K SHOWN



SECTION B - B
KEY OPTION B SHOWN



SECTION B - B
KEY OPTION K SHOWN

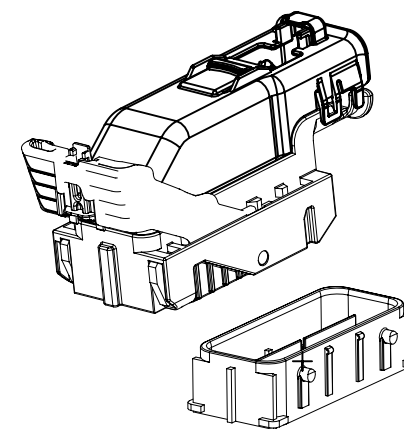
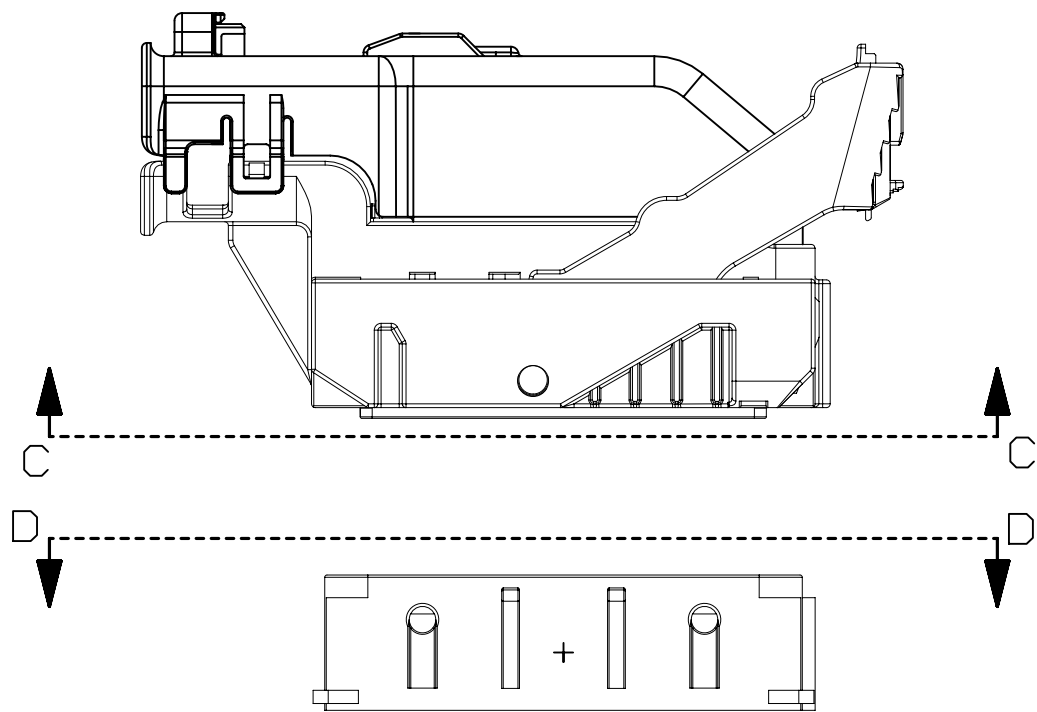


PAGE TITLE
KEY ID REF - WIRE DRESS OPTION 0

DRAWING NUMBER
12642695

DWG STATUS		
ST	REV	PD1
R	002	

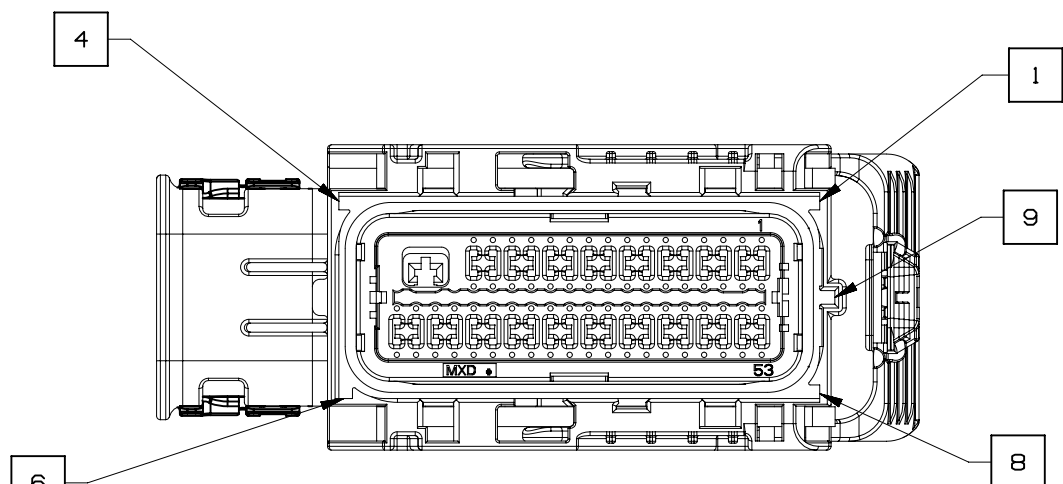
PAGE NUMBER
11 OF 21



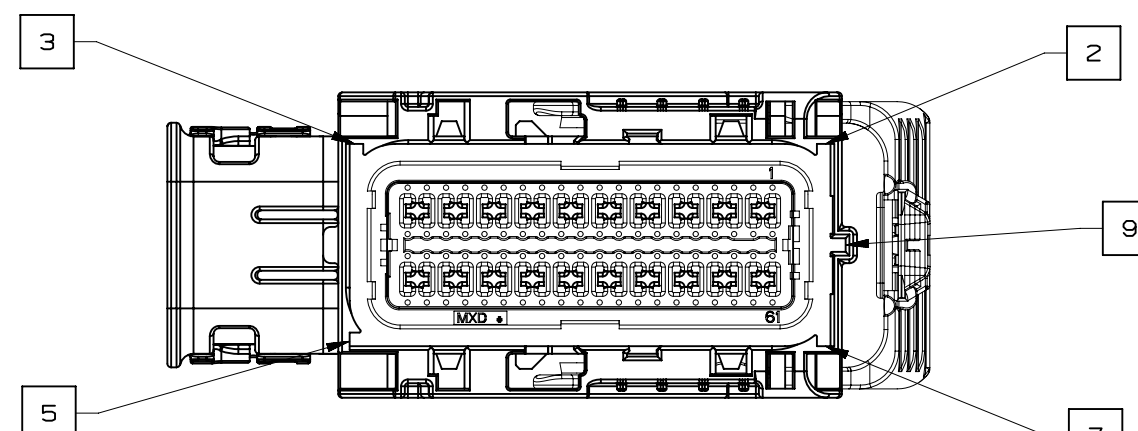
NOTE: REFERENCE THE COMPONENT TABLE FOR KEY OPTIONS AND CONFIGURATIONS

VIEW V

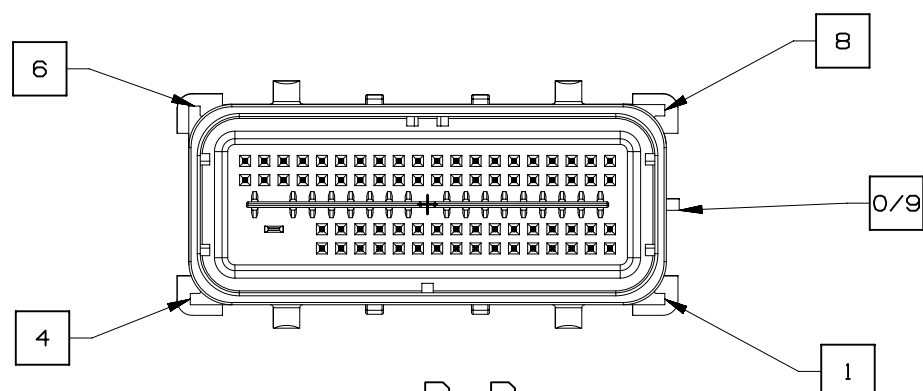
INTERFACE SIDE SHOWN ON ALL SECTION VIEWS



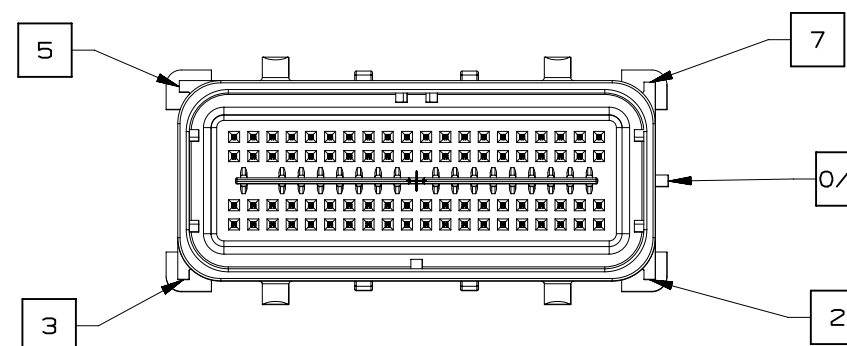
SECTION C-C
KEY OPTION B SHOWN



SECTION C-C
KEY OPTION K SHOWN



SECTION D-D
KEY OPTION B SHOWN



SECTION D-D
KEY OPTION K SHOWN

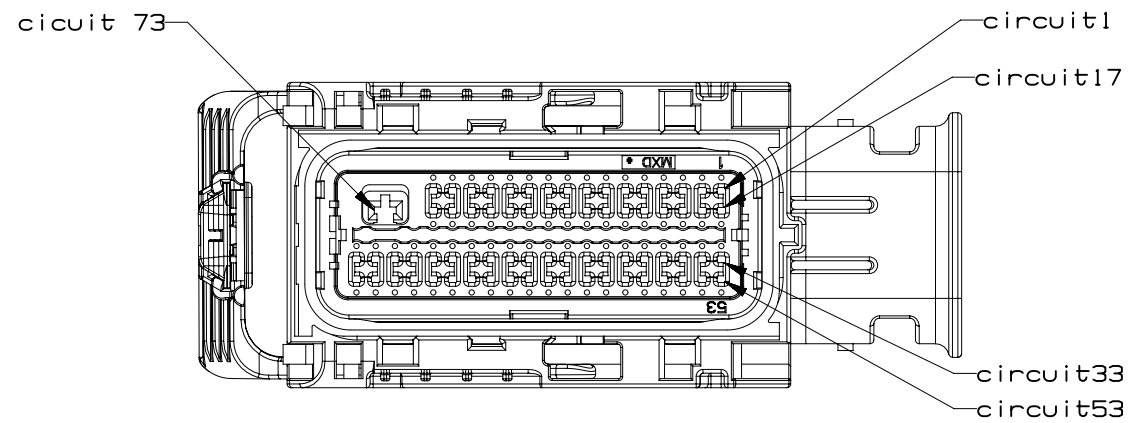


PAGE TITLE
KEY ID REF - WIRE DRESS OPTION 9

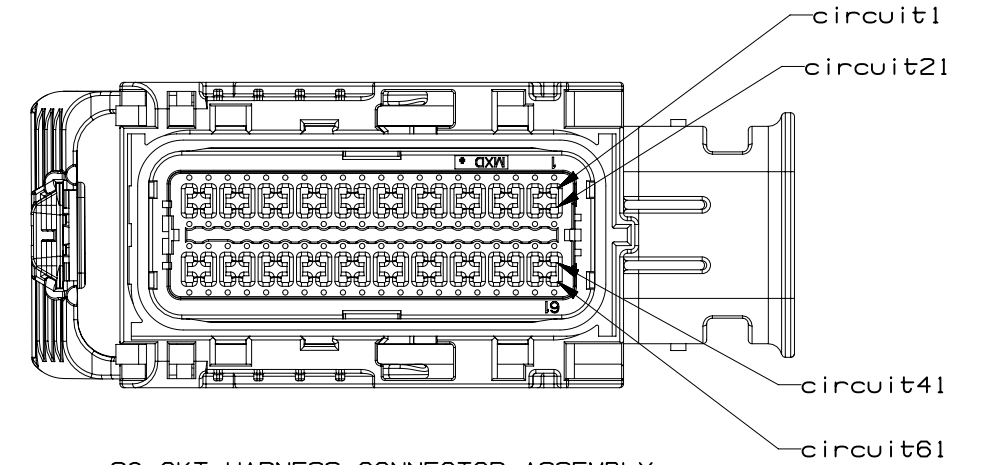
DRAWING NUMBER
12642695

DWG STATUS		
ST	REV	PD1
R	002	

PAGE NUMBER
12 OF 21

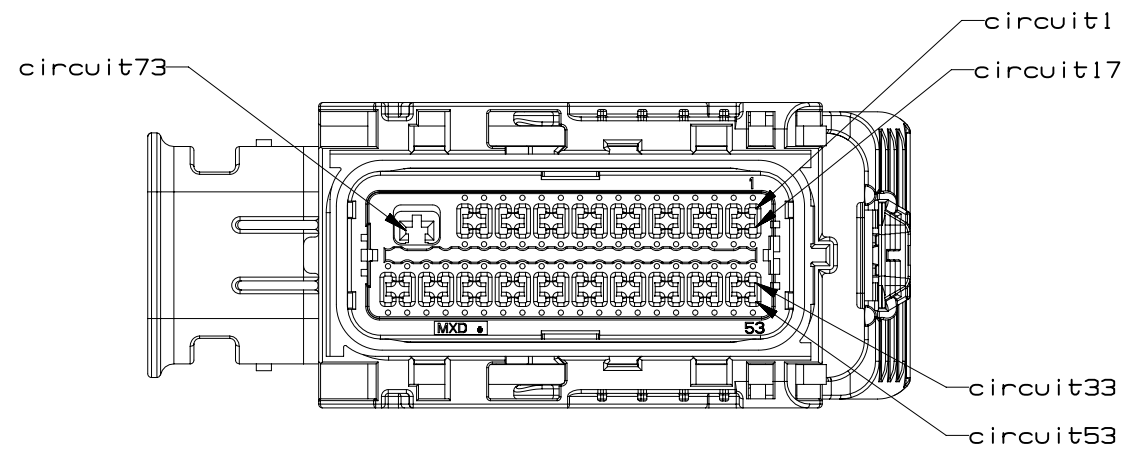


73 CKT HARNESS CONNECTOR ASSEMBLY
WIRE DRESS OPTION 0

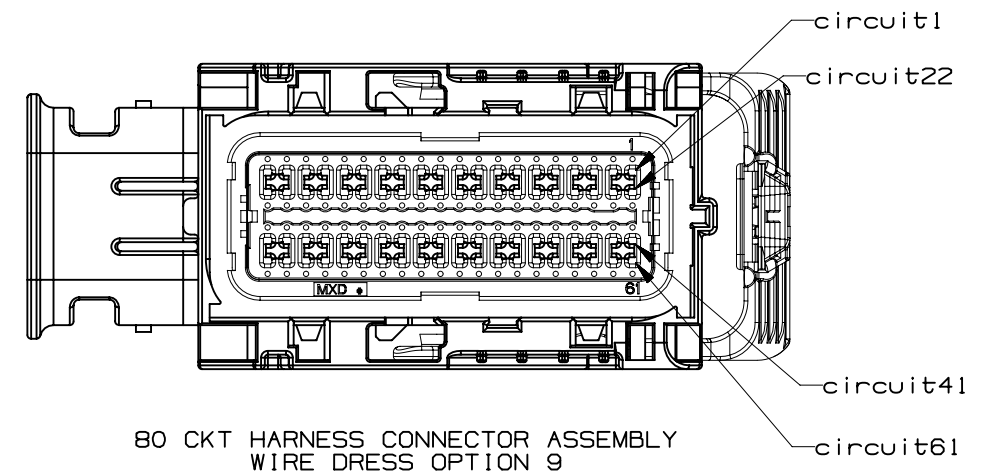


80 CKT HARNESS CONNECTOR ASSEMBLY
WIRE DRESS OPTION 0

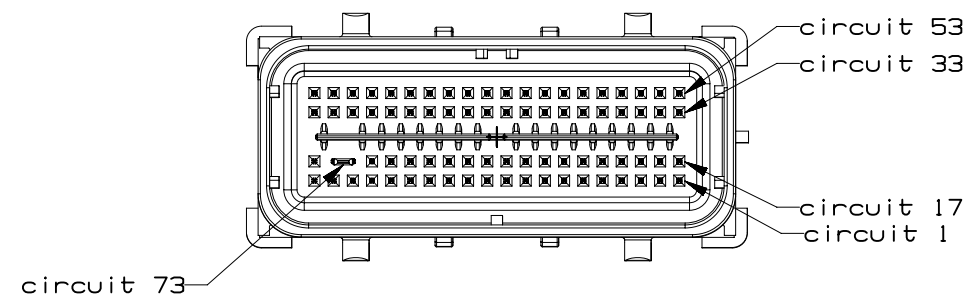
INTERFACE SIDE SHOWN ON ALL VIEWS



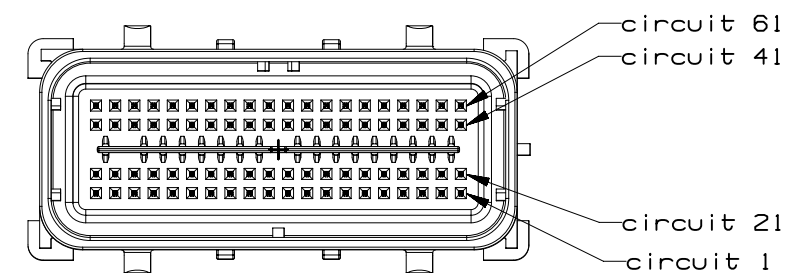
73 CKT HARNESS CONNECTOR ASSEMBLY
WIRE DRESS OPTION 9



80 CKT HARNESS CONNECTOR ASSEMBLY
WIRE DRESS OPTION 9

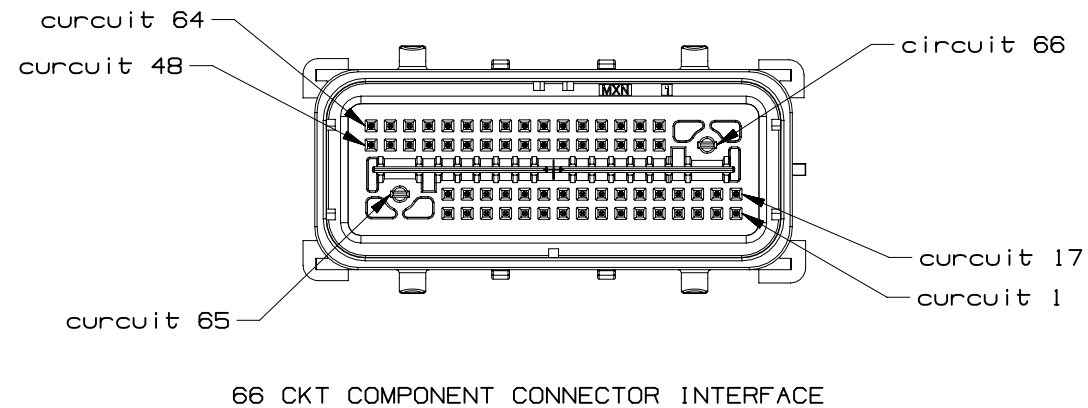
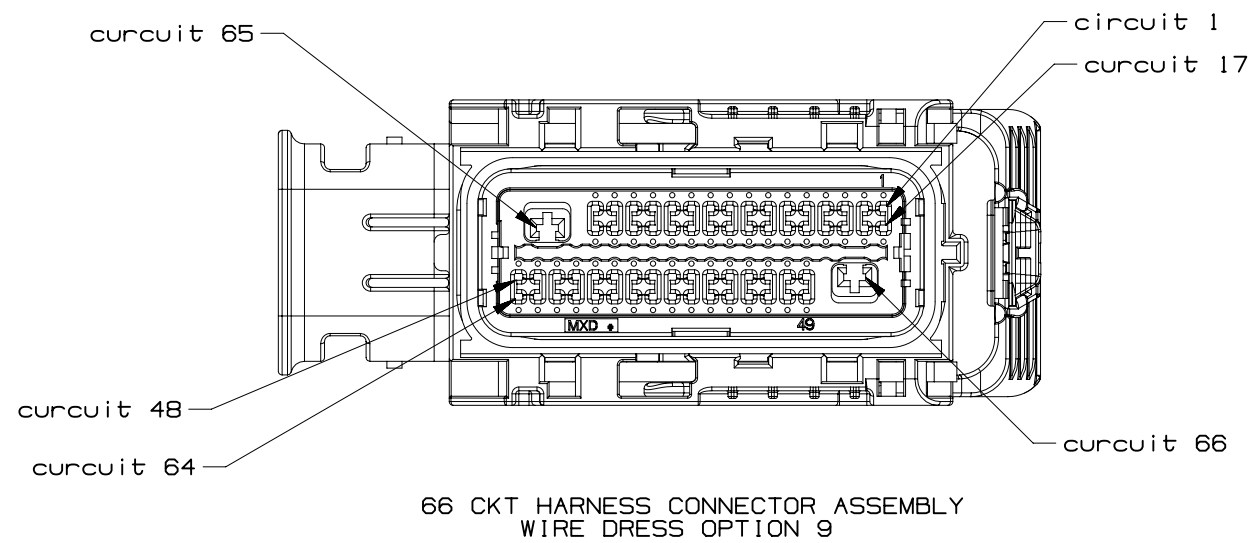
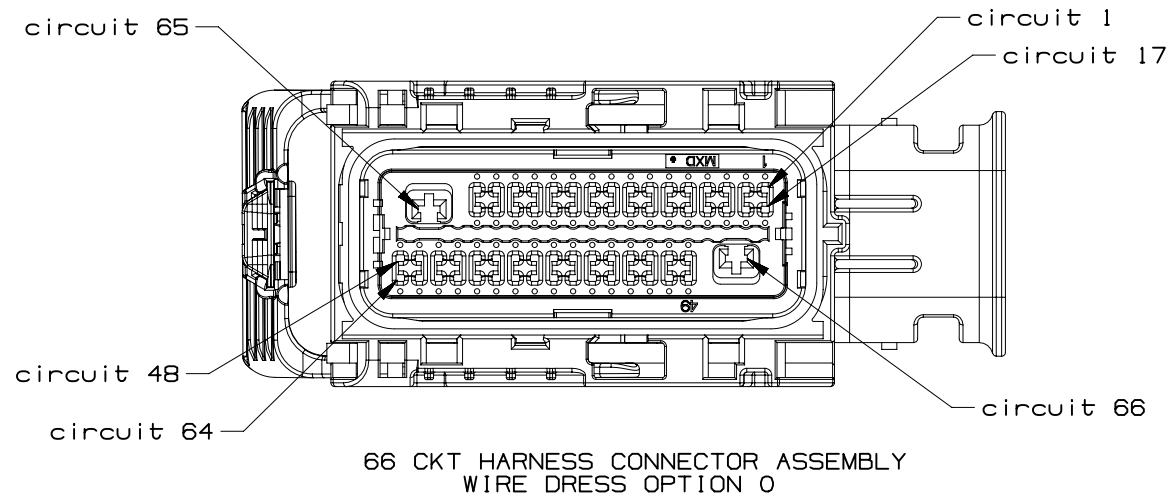



73 CKT COMPONENT CONNECTOR INTERFACE

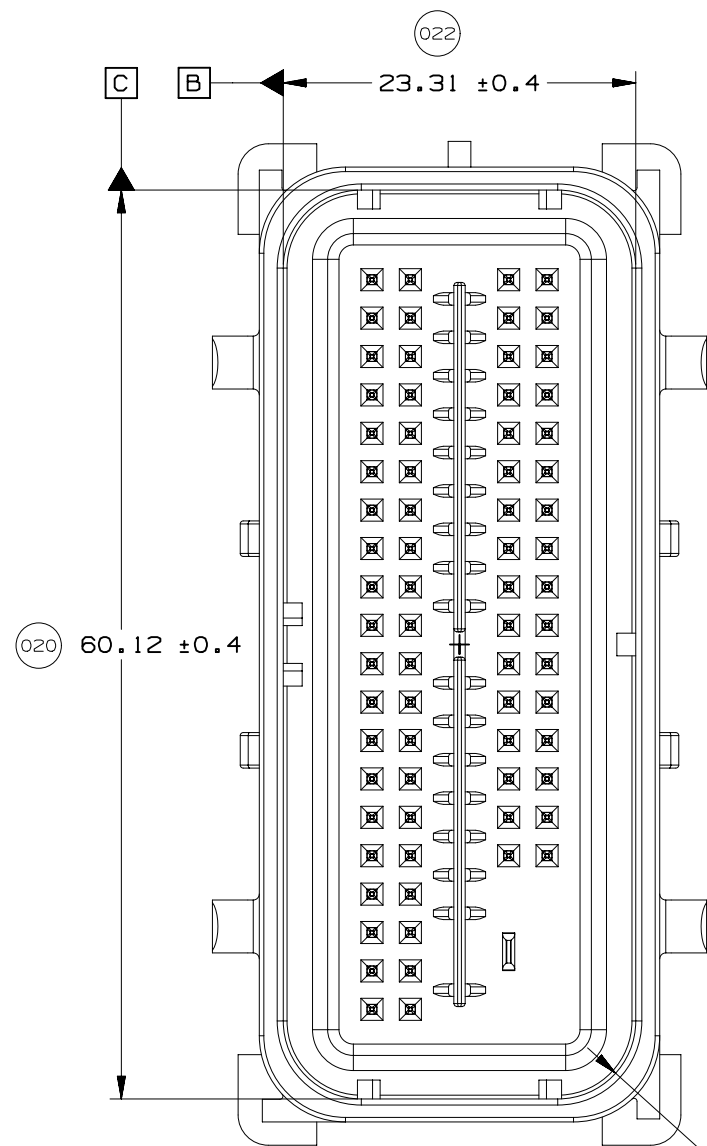
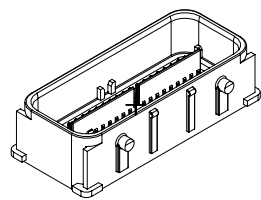


80 CKT COMPONENT CONNECTOR INTERFACE

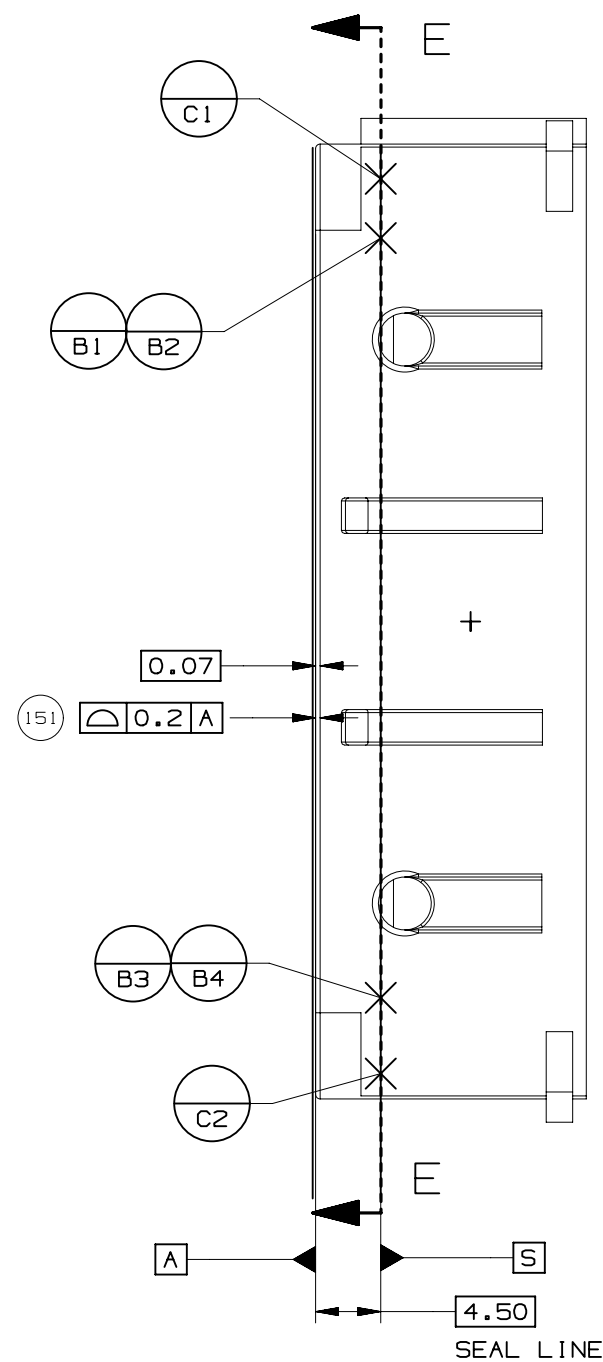




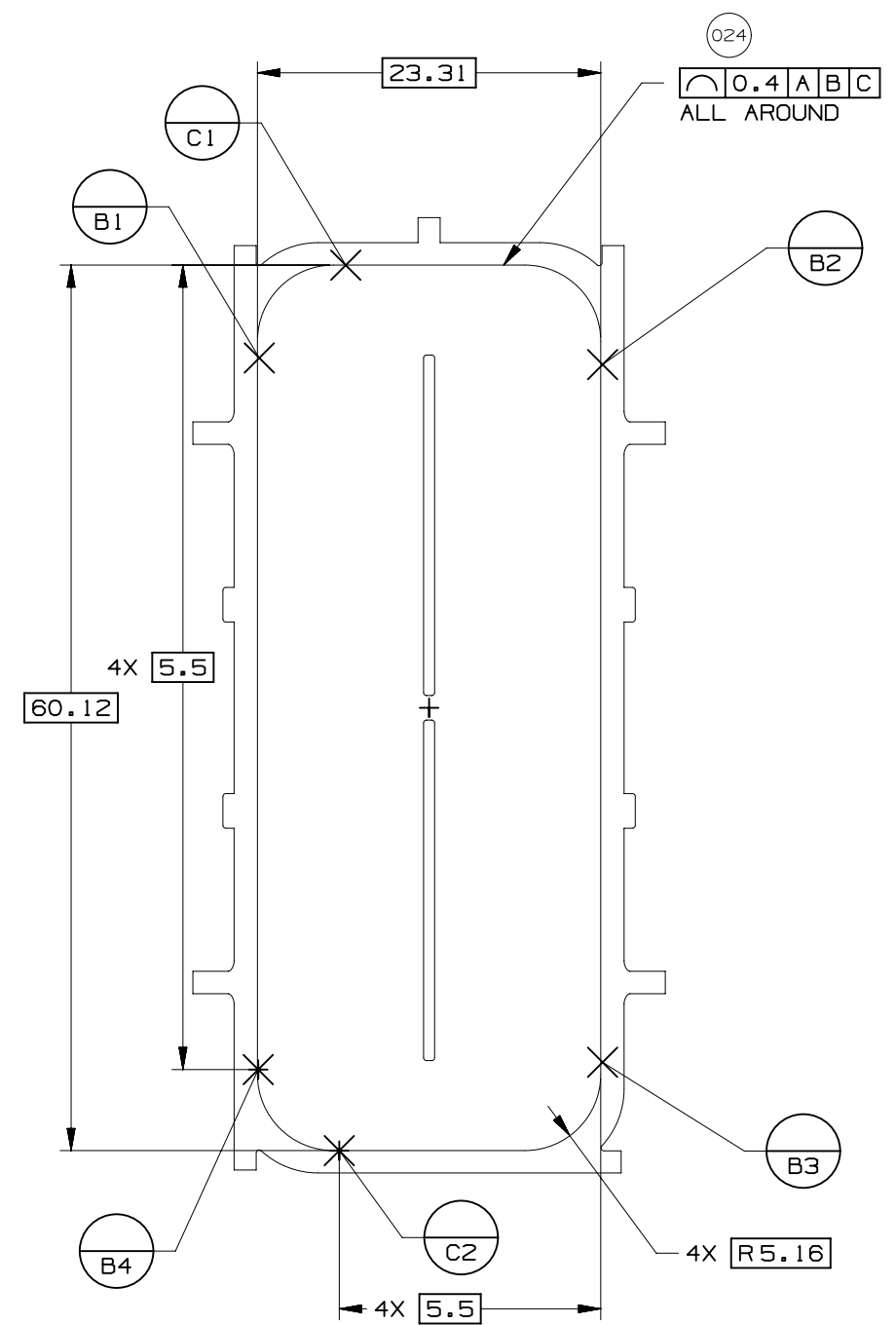
	PAGE TITLE	DRAWING NUMBER	DWG STATUS			PAGE NUMBER	
	CIRCUIT CONFIGURATIONS		12642695	ST	REV	PDI	14 of 21
				R	002		



023 4X R5.16 ± 0.3



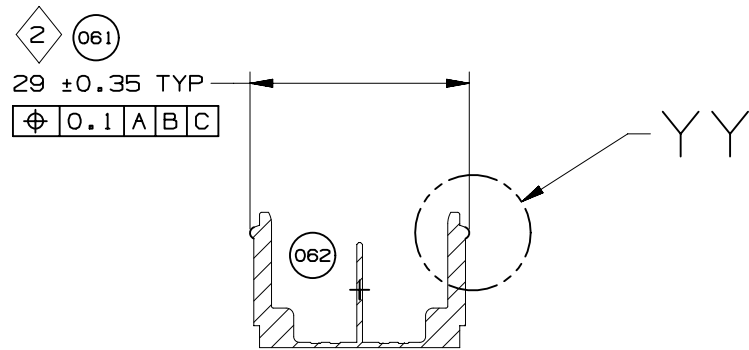
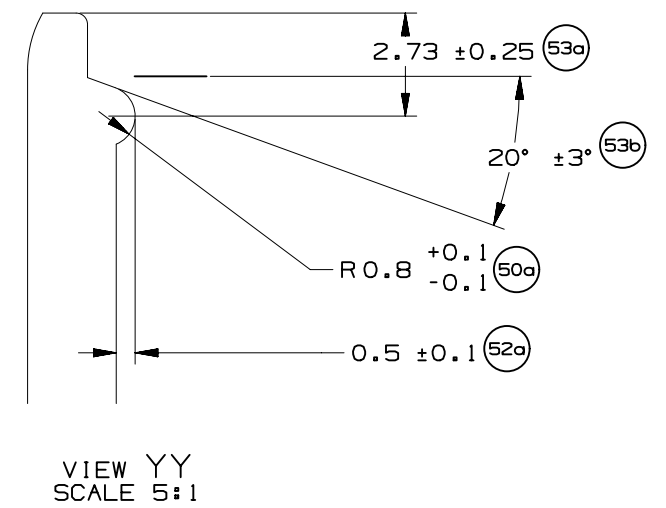
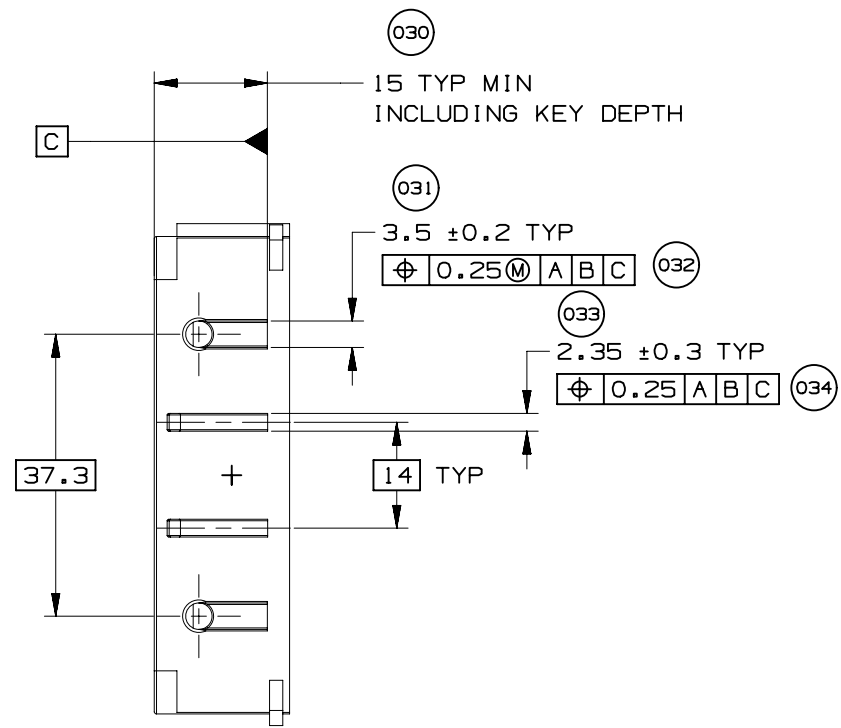
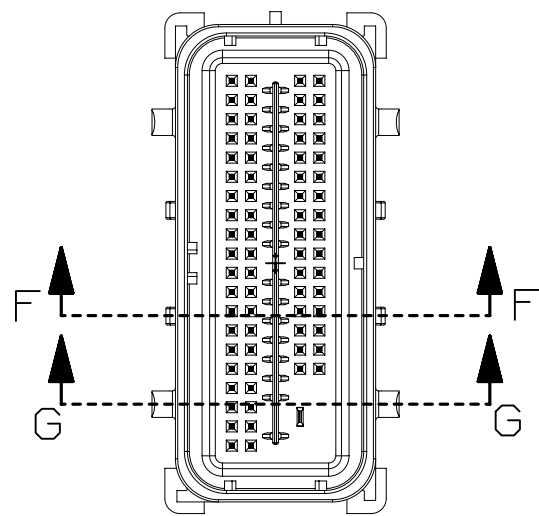
SEAL LINE



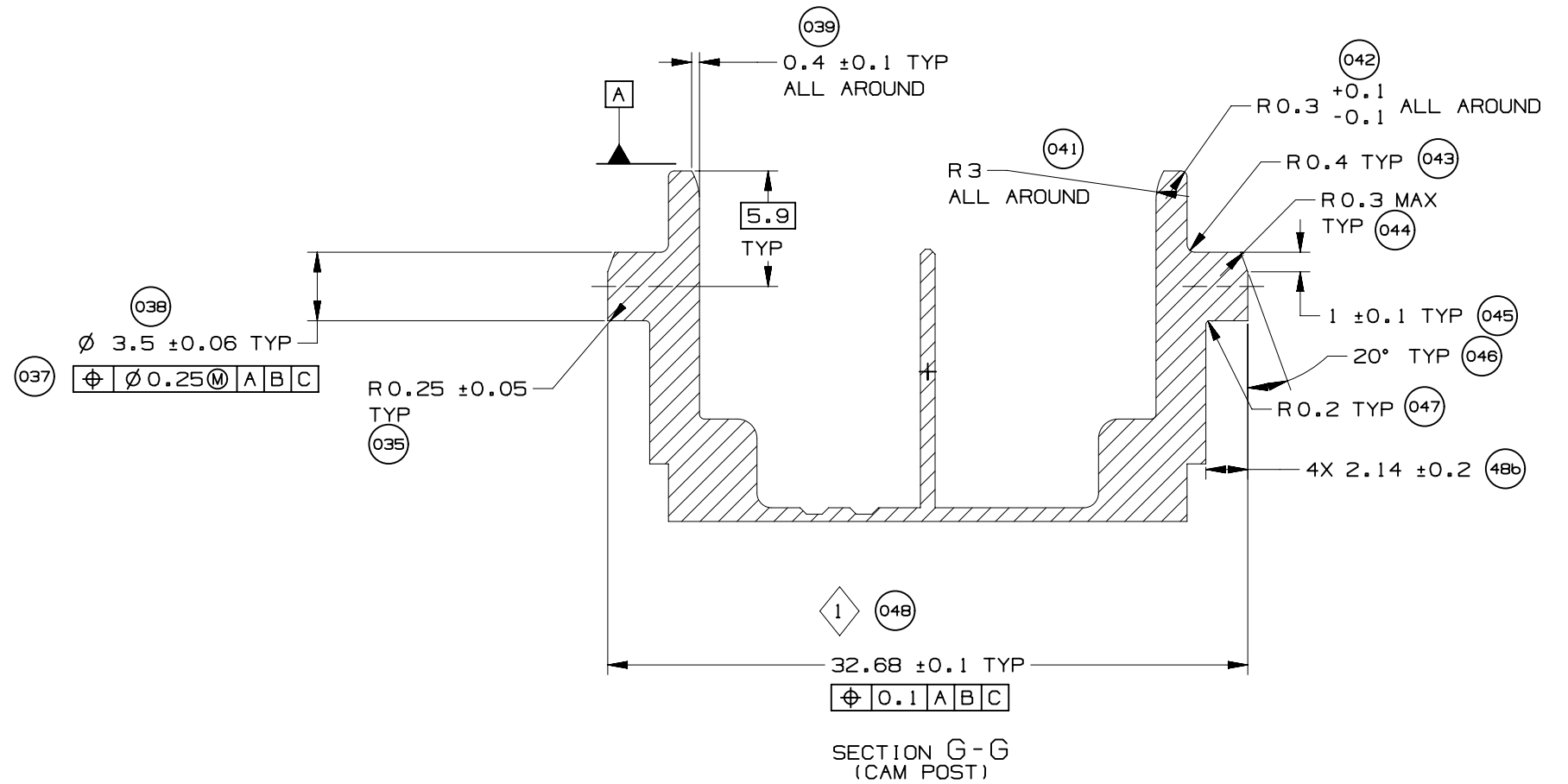
SECTION E-E
(AT SEAL LINE)

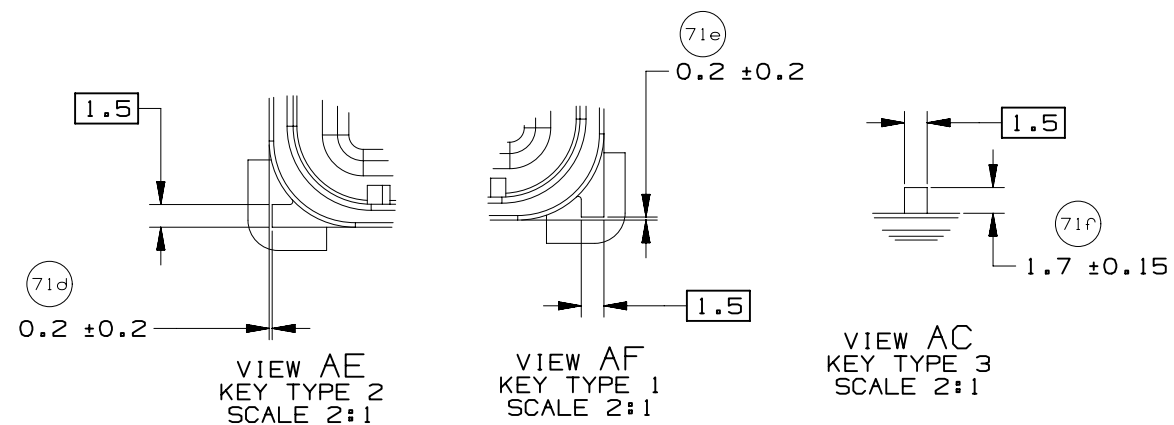
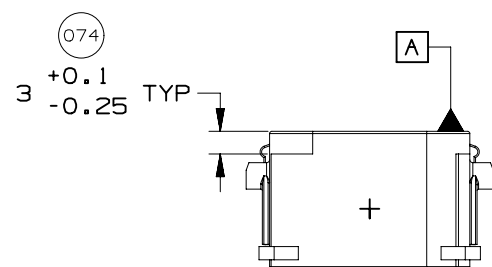
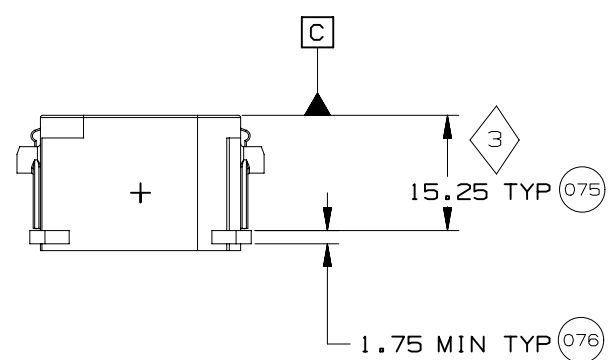
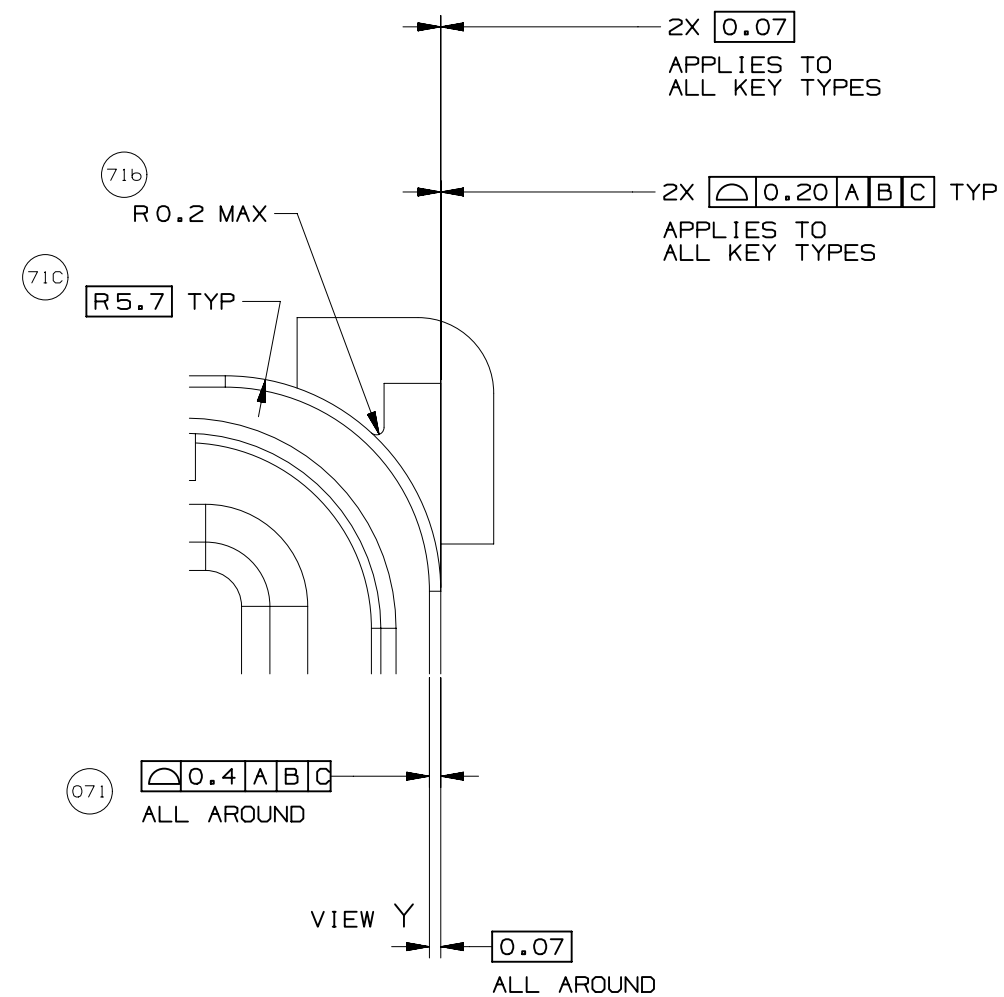
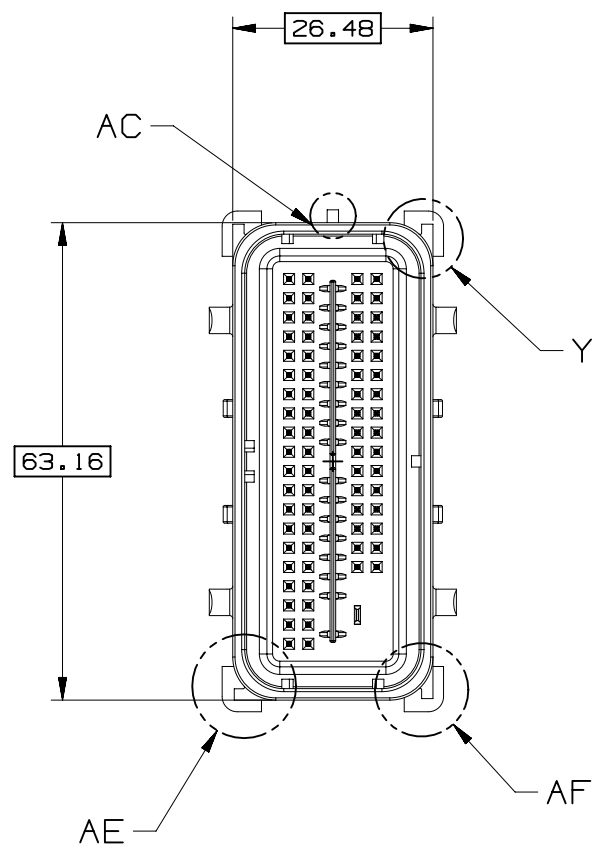
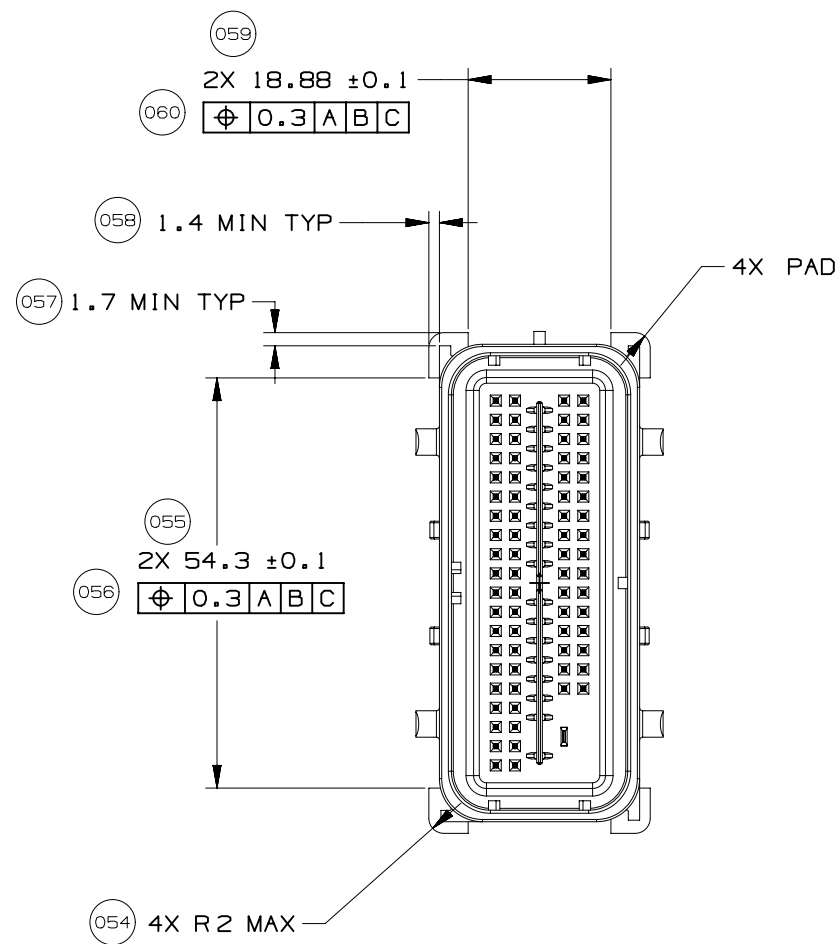
UNLESS SPECIFIED, TOLERANCE OF THE COMPONENT CONNECTOR INTERFACE TO BE $\sqrt[0.13]{A B C}$

	PAGE TITLE	DRAWING NUMBER	DWG STATUS			PAGE NUMBER
	COMPONENT CONNECTOR INTERFACE	12642695	ST	REV	PD1	15 OF 21
			R	002		



SECTION F-F

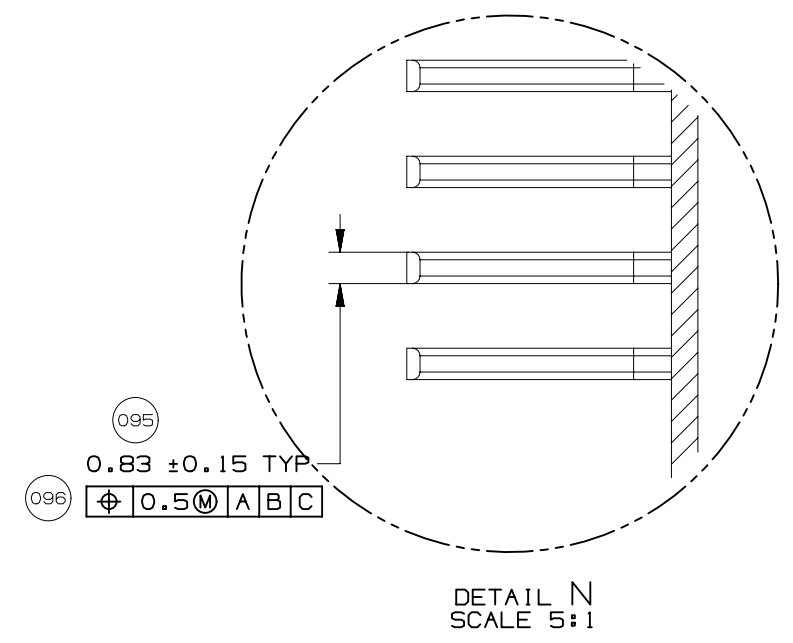
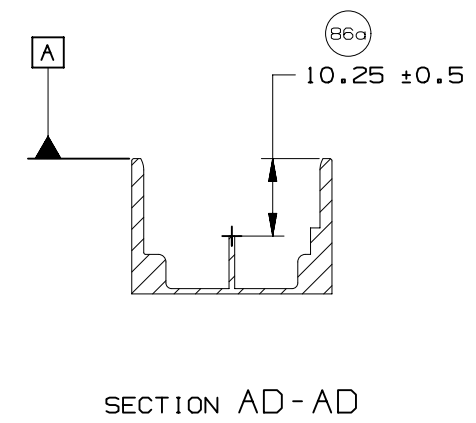
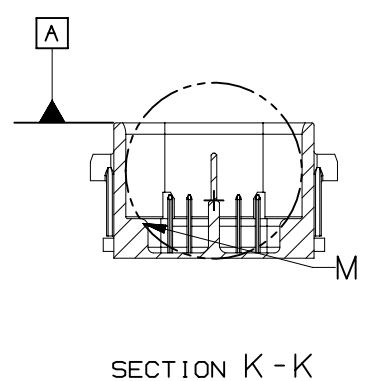
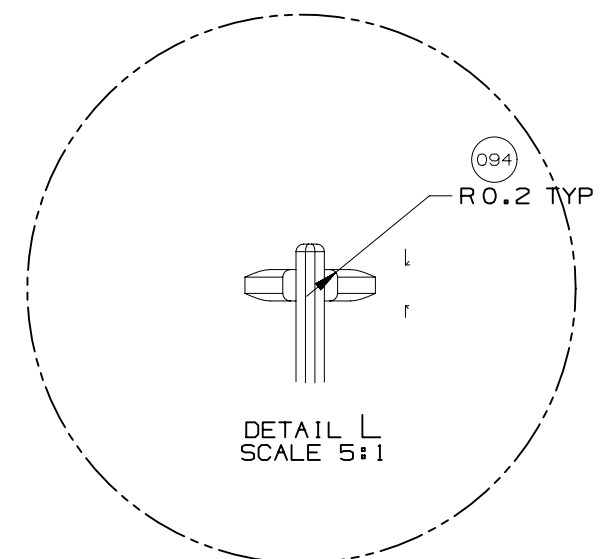
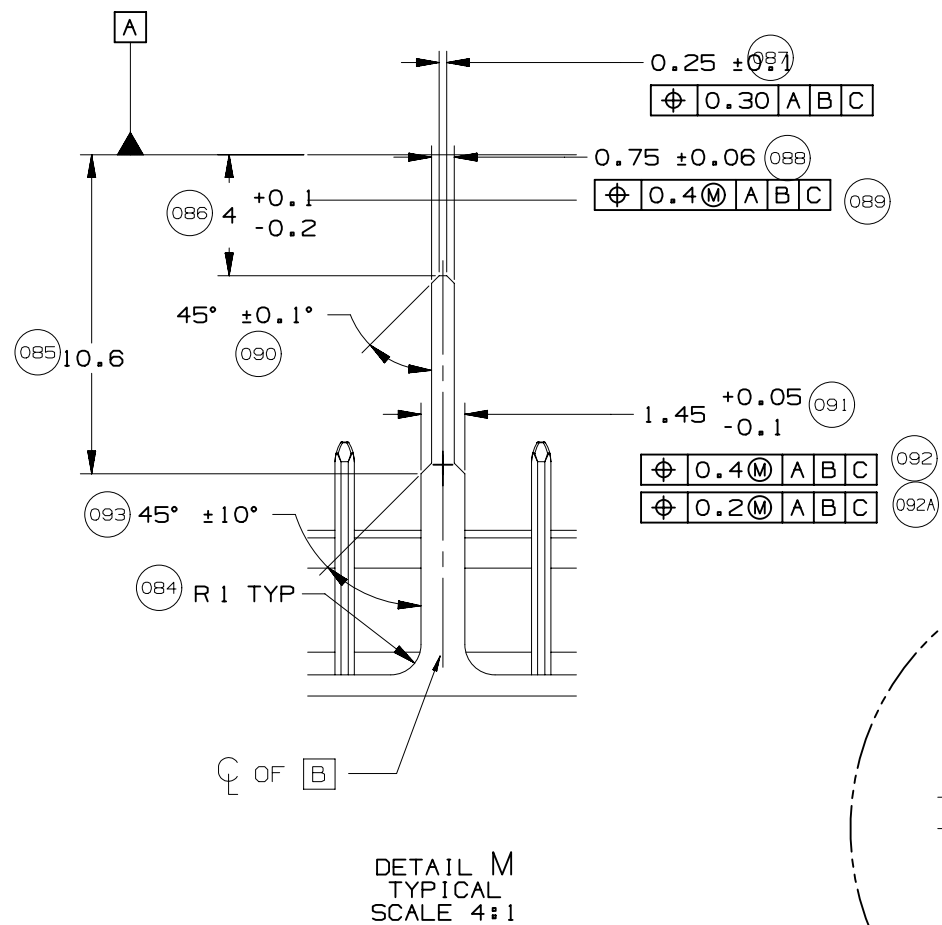
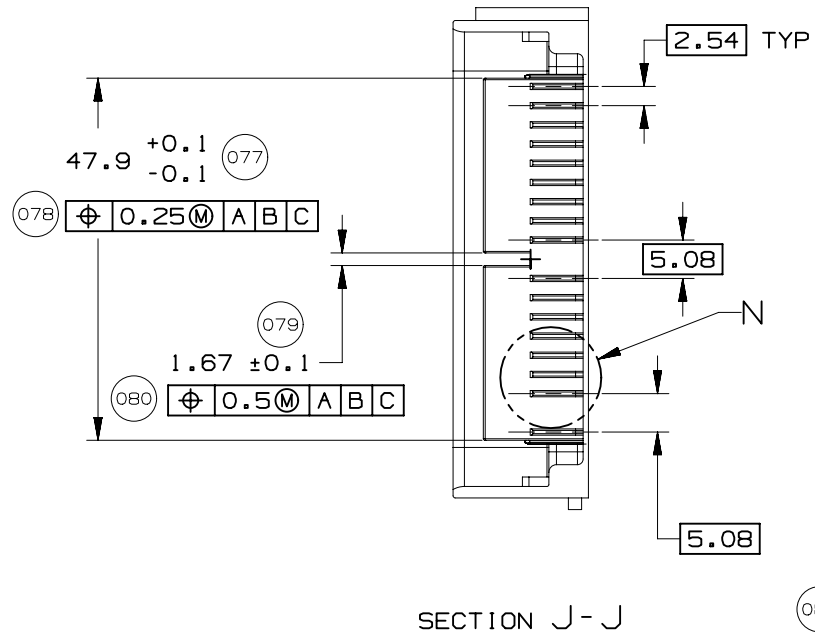
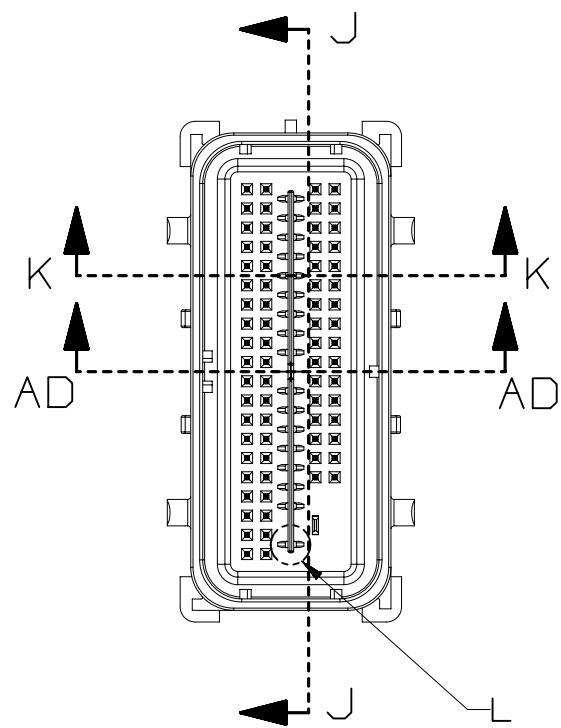


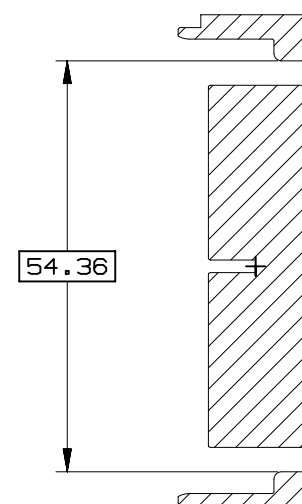
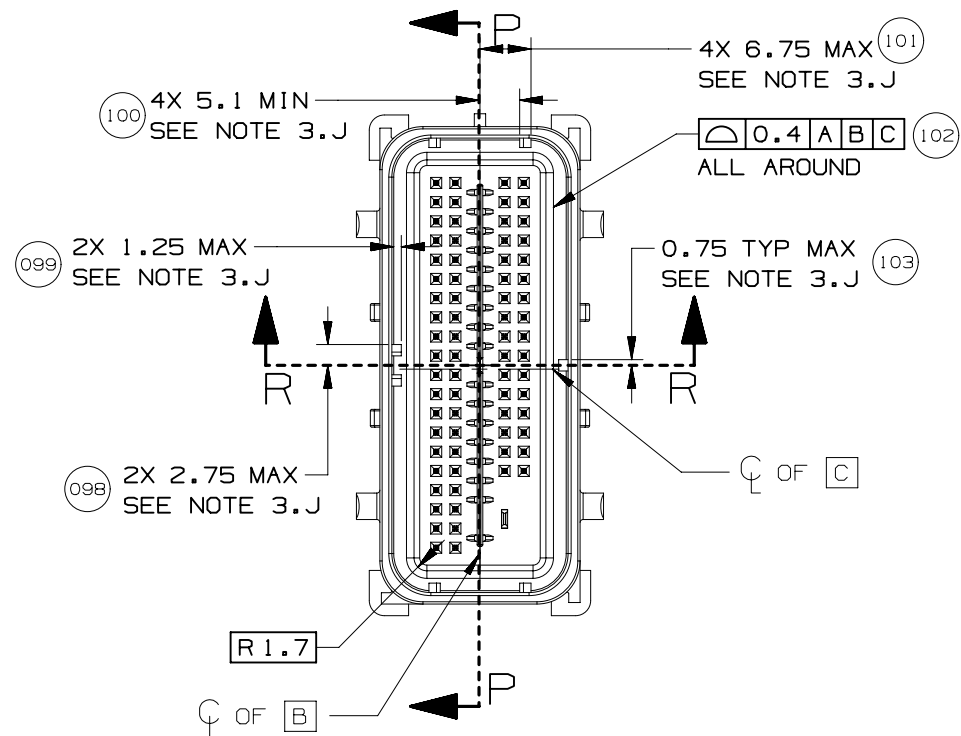


PAGE TITLE
 COMPONENT CONNECTOR INTERFACE

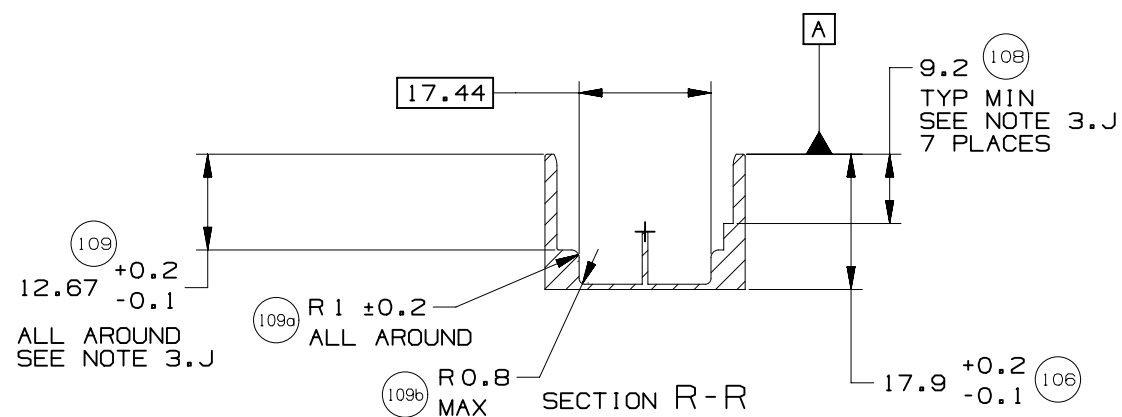
DRAWING NUMBER
 12642695

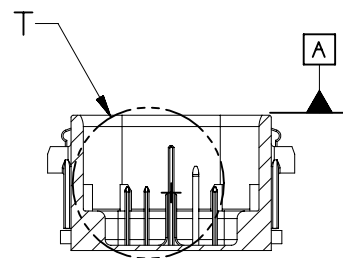
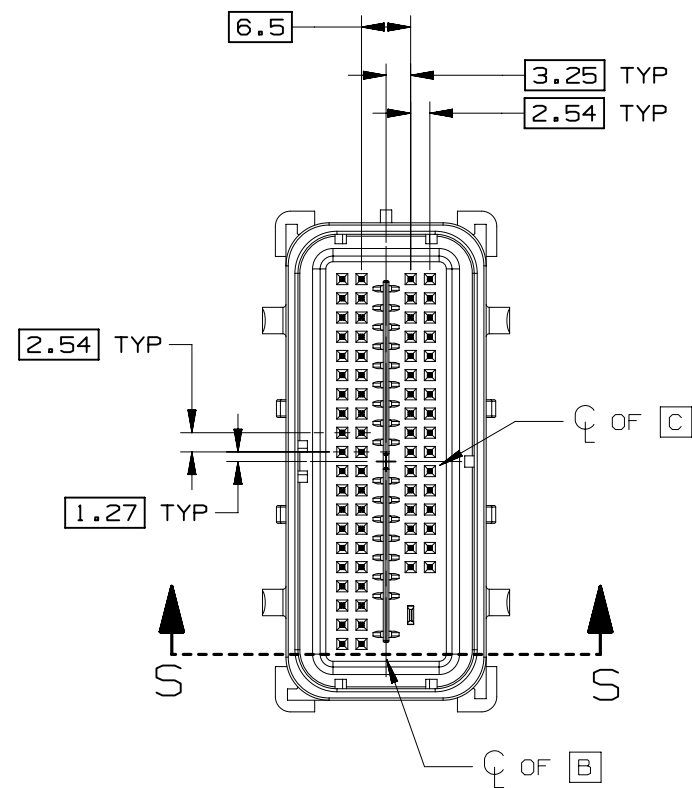
DWG STATUS			PAGE NUMBER	
ST	REV	PD1		
R	002		17	OF 21



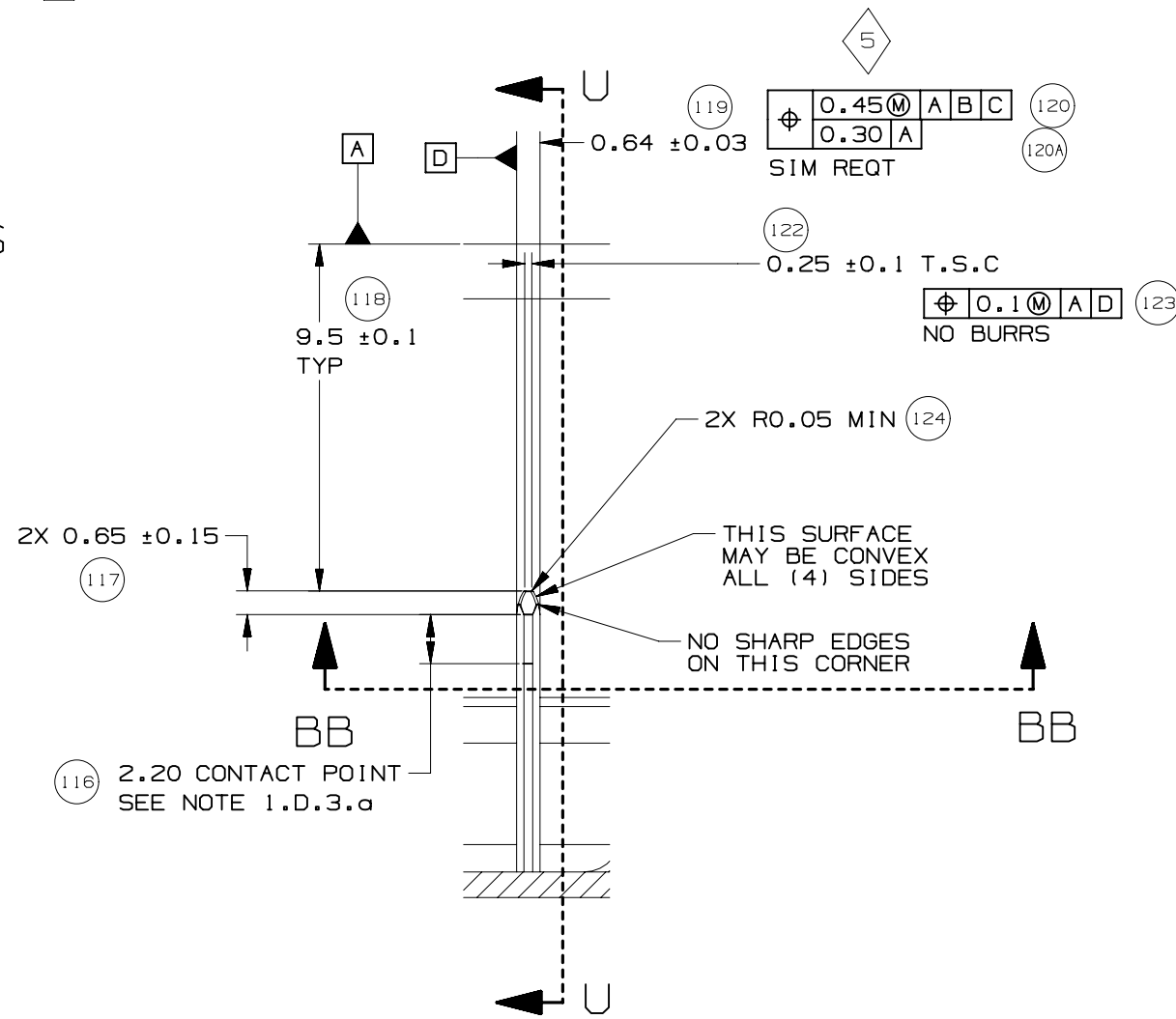


SECTION P-P

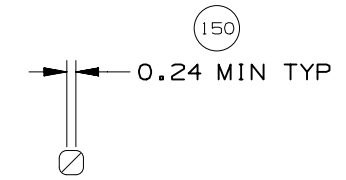




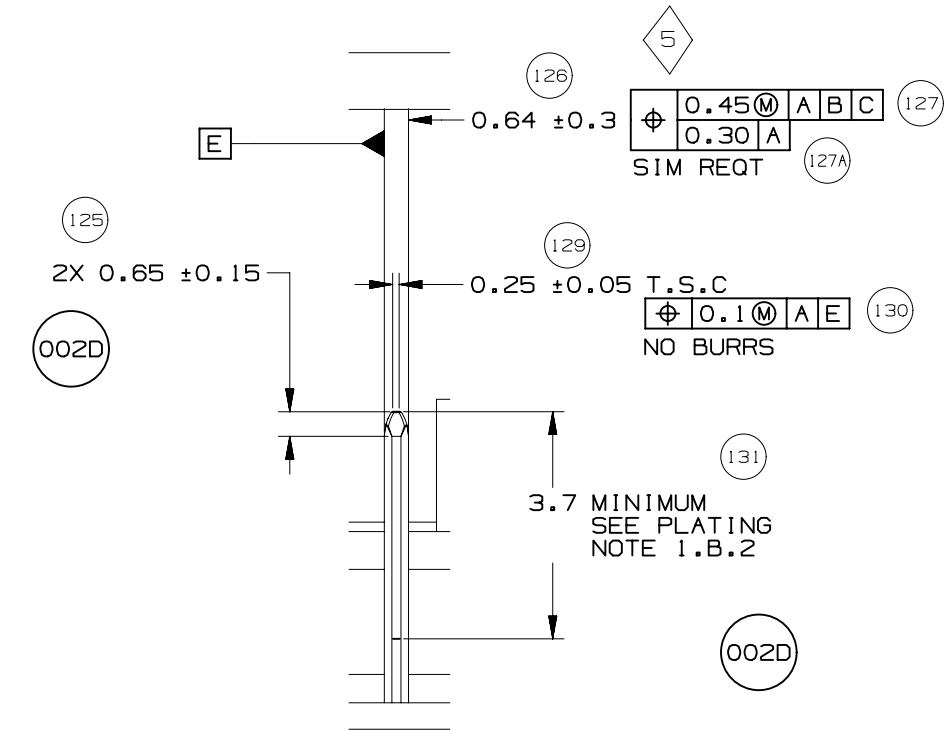
SECTION S-S



DETAIL T
TYPICAL
SCALE 5:1

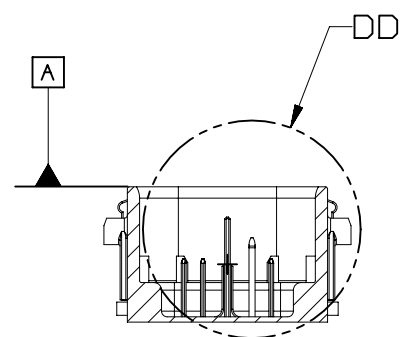
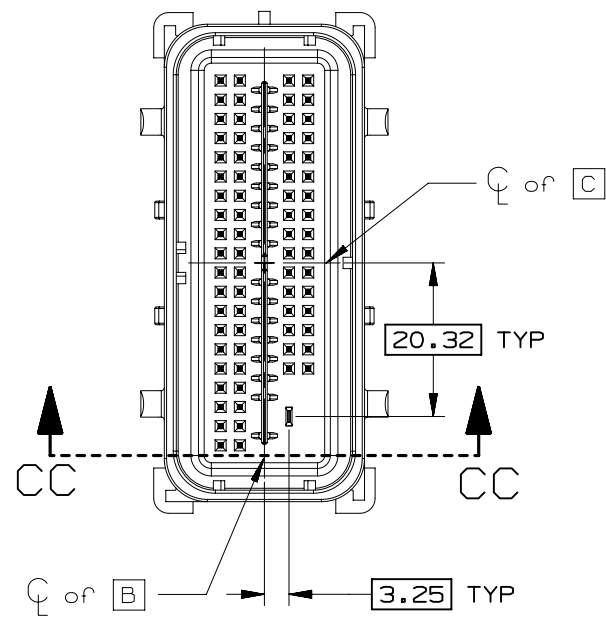


SECTION BB-BB

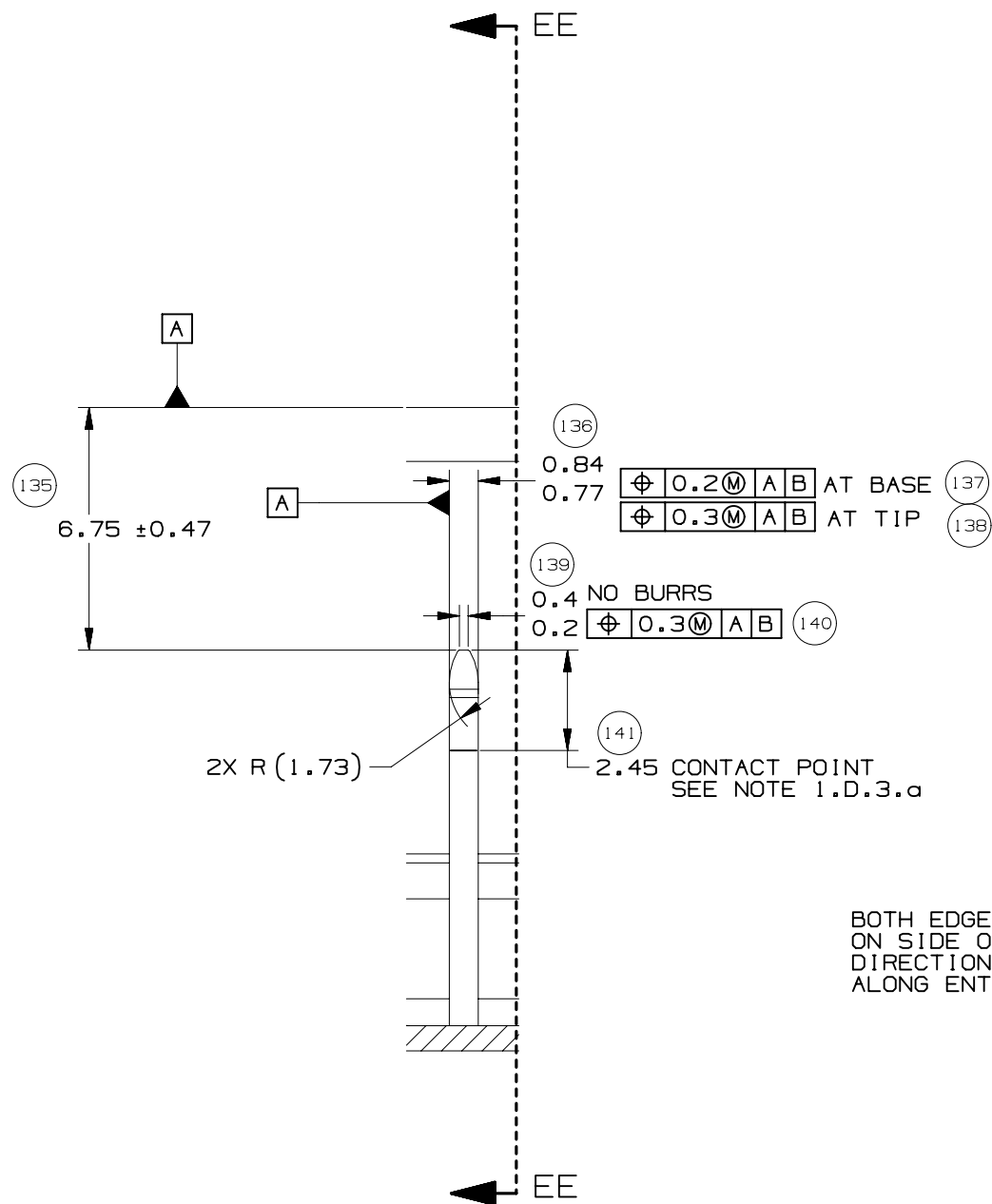


SECTION U-U

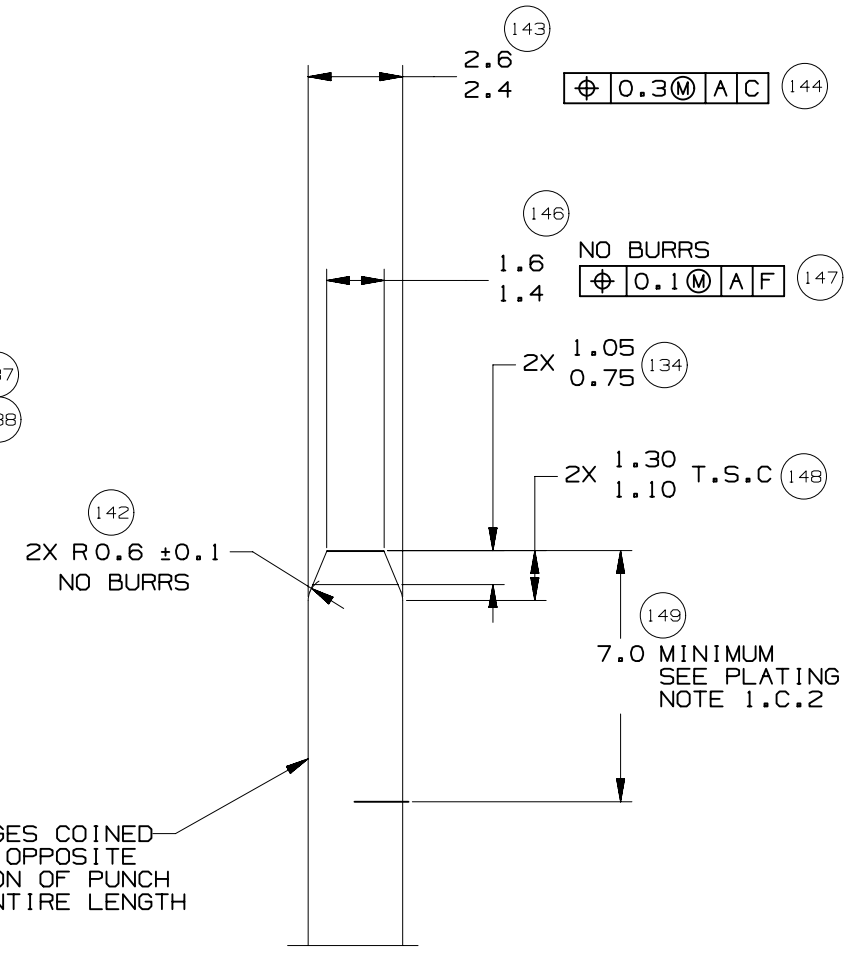




SECTION CC-CC



DETAIL DD
TYPICAL
SCALE 5:1

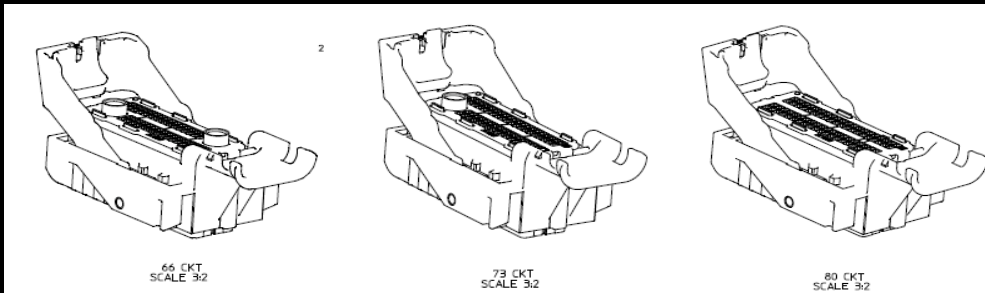


SECTION EE-EE
TYPICAL

BOTH EDGES COINED
ON SIDE OPPOSITE
DIRECTION OF PUNCH
ALONG ENTIRE LENGTH


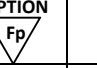


MX123 52/66/73/80-WAY RECEPTACLE ASSY SEALED PIN OUT SHEET


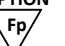



UNCHECKED cavity number(s) are OPEN																							
72	71	70	69	68	67	66	65	64	63	62	61	60	59	58	57	56	55	54	53				
<input checked="" type="checkbox"/>	<input checked="" type="checkbox"/>	<input checked="" type="checkbox"/>	<input checked="" type="checkbox"/>	<input checked="" type="checkbox"/>	<input checked="" type="checkbox"/>	<input checked="" type="checkbox"/>	<input checked="" type="checkbox"/>	<input checked="" type="checkbox"/>	<input checked="" type="checkbox"/>	<input checked="" type="checkbox"/>	<input checked="" type="checkbox"/>	<input checked="" type="checkbox"/>	<input checked="" type="checkbox"/>	<input checked="" type="checkbox"/>	<input checked="" type="checkbox"/>	<input checked="" type="checkbox"/>	<input checked="" type="checkbox"/>	<input checked="" type="checkbox"/>	<input checked="" type="checkbox"/>	<input checked="" type="checkbox"/>	<input checked="" type="checkbox"/>	<input checked="" type="checkbox"/>	
52	51	50	49	48	47	46	45	44	43	42	41	40	39	38	37	36	35	34	33				
<input checked="" type="checkbox"/>	<input checked="" type="checkbox"/>	<input checked="" type="checkbox"/>	<input checked="" type="checkbox"/>	<input checked="" type="checkbox"/>	<input checked="" type="checkbox"/>	<input checked="" type="checkbox"/>	<input checked="" type="checkbox"/>	<input checked="" type="checkbox"/>	<input checked="" type="checkbox"/>	<input checked="" type="checkbox"/>	<input checked="" type="checkbox"/>	<input checked="" type="checkbox"/>	<input checked="" type="checkbox"/>	<input checked="" type="checkbox"/>	<input checked="" type="checkbox"/>	<input checked="" type="checkbox"/>	<input checked="" type="checkbox"/>	<input checked="" type="checkbox"/>	<input checked="" type="checkbox"/>	<input checked="" type="checkbox"/>	<input checked="" type="checkbox"/>	<input checked="" type="checkbox"/>	
73																							
<input checked="" type="checkbox"/>	<input checked="" type="checkbox"/>	<input checked="" type="checkbox"/>	<input checked="" type="checkbox"/>	<input checked="" type="checkbox"/>	<input checked="" type="checkbox"/>	<input checked="" type="checkbox"/>	<input checked="" type="checkbox"/>	<input checked="" type="checkbox"/>	<input checked="" type="checkbox"/>	<input checked="" type="checkbox"/>	<input checked="" type="checkbox"/>	<input checked="" type="checkbox"/>	<input checked="" type="checkbox"/>	<input checked="" type="checkbox"/>	<input checked="" type="checkbox"/>	<input checked="" type="checkbox"/>	<input checked="" type="checkbox"/>	<input checked="" type="checkbox"/>	<input checked="" type="checkbox"/>	<input checked="" type="checkbox"/>	<input checked="" type="checkbox"/>	<input checked="" type="checkbox"/>	

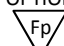
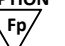

FOR ADDITIONAL INFORMATION SEE SD-34566-001

STATUS	GM PART #	HRNS CONN ASSY			TPA	GROMMET CAP																							
		MATERIAL/PART	WIRE DRESS OPTION	KEY OPTION	COLOR OPTION	NUMBERS INDICATE CAVITIES OPEN FOR CIRCUITS																							
		NUMBER																											
SALEABLE	12672860	34566-0103	0	A	BLACK																								
SALEABLE	12672862	34566-0203	0	B	ST GRY	72	71	70	69	68	67	66	65	64	63	62	61	60	59	58	57	56	55	54	53				
SALEABLE	12672864	34566-0303	0	C	BLUE	52	51	50	49	48	47	46	45	44	43	42	41	40	39	38	37	36	35	34	33				
TOOL DES. REL.	12615660	34566-0403	0	D	BROWN	73				32	31	30	29	28	27	26	25	24	23	22	21	20	19	18	17				
TOOL DES. REL.	12615661	34566-0503	0	E	GREEN					16	15	14	13	12	11	10	9	8	7	6	5	4	3	2	1				
SALEABLE	12672866	34566-0603	0	F	NATURAL																								
SALEABLE	12672872	34566-0703	0	G	BLUE																								
SALEABLE	12672870	34566-0803	0	H	ST GRY	80	79	78	77	76	75	74	73	72	71	70	69	68	67	66	65	64	63	62	61				
TOOL DES. REL.	12672868	34566-0903	0	J	BLACK	60	61	62	63	64	65	66	67	68	69	70	71	72	73	74	75	76	77	78	79				
TOOL DES. REL.	TBD	34566-1003	0	K	BROWN	40	39	38	37	36	35	34	33	32	31	30	29	28	27	26	25	24	23	22	21				
TOOL DES. REL.	TBD	34566-1103	0	L	GREEN	20	19	18	17	16	15	14	13	12	11	10	9	8	7	6	5	4	3	2	1				
TOOL DES. REL.	TBD	34566-1203	0	M	NATURAL																								
SALEABLE	12672861	34566-1303	9	A	BLACK																								
SALEABLE	12672863	34566-1403	9	B	ST GRY	72	71	70	69	68	67	66	65	64	63	62	61	60	59	58	57	56	55	54	53				
SALEABLE	12672865	34566-1503	9	C	BLUE	52	51	50	49	48	47	46	45	44	43	42	41	40	39	38	37	36	35	34	33				
TOOL DES. REL.	12615663	34566-1603	9	D	BROWN	73				32	31	30	29	28	27	26	25	24	23	22	21	20	19	18	17				
TOOL DES. REL.	12615664	34566-1703	9	E	GREEN					16	15	14	13	12	11	10	9	8	7	6	5	4	3	2	1				
SALEABLE	12672867	34566-1803	9	F	NATURAL																								
SALEABLE	12672873	34566-1903	9	G	BLUE																								
SALEABLE	12672871	34566-2003	9	H	ST GRY	80	79	78	77	76	75	74	73	72	71	70	69	68	67	66	65	64	63	62	61				
TOOL DES. REL.	12672869	34566-2103	9	J	BLACK	60	61	62	63	64	65	66	67	68	69	70	71	72	73	74	75	76	77	78	79				
TOOL DES. REL.	TBD	34566-2203	9	K	BROWN	40	39	38	37	36	35	34	33	32	31	30	29	28	27	26	25	24	23	22	21				
TOOL DES. REL.	TBD	34566-2303	9	L	GREEN	20	19	18	17	16	15	14	13	12	11	10	9	8	7	6	5	4	3	2	1				
TOOL DES. REL.	TBD	34566-2403	9	M	NATURAL																								
SALEABLE	12672856	34822-0013	0	A	BLACK	64	63	62	61	60	59	58	57	56	55	54	53	52	51	50	49	66							
						48	47	46	45	44	43	42	41	40	39	38	37	36	35	34	33								
SALEABLE	12672858	34822-0033	0	C	BLUE	65				32	31	30	29	28	27	26	25	24	23	22	21	20	19	18	17				
										16	15	14	13	12	11	10	9	8	7	6	5	4	3	2	1				
SALEABLE	12672857	34822-0023	9	A	BLACK	64	63	62	61	60	59	58	57	56	55	54	53	52	51	50	49	66							
						48	47	46	45	44	43	42	41	40	39	38	37	36	35	34	33								
SALEABLE	12672859	34822-0043	9	C	BLUE	65				32	31	30	29	28	27	26	25	24	23	22	21	20	19	18	17				
										16	15	14	13	12	11	10	9	8	7	6	5	4	3	2	1				

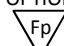
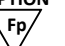

MX123 52/66/73/80-WAY RECEPTACLE ASSY SEALED PIN OUT SHEET

STATUS	GM PART #	HRNS CONN ASSY			TPA	GROMMET CAP																																																																																																																
		MATERIAL/PART	WIRE DRESS OPTION	KEY OPTION	COLOR OPTION	NUMBERS INDICATE CAVITIES OPEN FOR CIRCUITS																																																																																																																
		NUMBER																																																																																																																				
TOOL DES. REL.	12672852	160094-0001	0	A	BLACK	<table border="1"> <tr> <td rowspan="2">52</td> <td>14</td><td>13</td><td>12</td><td>11</td><td>10</td><td>9</td><td>8</td><td>7</td><td>6</td><td>5</td><td>4</td><td>3</td> <td rowspan="2">2</td> </tr> <tr> <td>26</td><td>25</td><td>24</td><td>23</td><td>22</td><td>21</td><td>20</td><td>19</td><td>18</td><td>17</td><td>16</td><td>15</td> </tr> <tr> <td rowspan="2">51</td> <td>38</td><td>37</td><td>36</td><td>35</td><td>34</td><td>33</td><td>32</td><td>31</td><td>30</td><td>29</td><td>28</td><td>27</td> <td rowspan="2">1</td> </tr> <tr> <td>50</td><td>49</td><td>48</td><td>47</td><td>46</td><td>45</td><td>44</td><td>43</td><td>42</td><td>41</td><td>40</td><td>39</td> </tr> </table>															52	14	13	12	11	10	9	8	7	6	5	4	3	2	26	25	24	23	22	21	20	19	18	17	16	15	51	38	37	36	35	34	33	32	31	30	29	28	27	1	50	49	48	47	46	45	44	43	42	41	40	39																																														
52	14	13	12	11	10																	9	8	7	6	5	4	3	2																																																																																									
	26	25	24	23	22																21	20	19	18	17	16	15																																																																																											
51	38	37	36	35	34																33	32	31	30	29	28	27	1																																																																																										
	50	49	48	47	46																45	44	43	42	41	40	39																																																																																											
TOOL DES. REL.	N/A	160094-0002	0	B	ST GRY																																																																																																																	
TOOL DES. REL.	12672854	160094-0003	0	C	BLUE																																																																																																																	
TOOL DES. REL.	N/A	160094-0004	0	D	BROWN																																																																																																																	
TOOL DES. REL.	N/A	160094-0005	0	E	GREEN																																																																																																																	
TOOL DES. REL.	N/A	160094-0006	0	F	NATURAL																																																																																																																	
TOOL DES. REL.	12672853	160094-0013	9	A	BLACK	<table border="1"> <tr> <td rowspan="2">52</td> <td>14</td><td>13</td><td>12</td><td>11</td><td>10</td><td>9</td><td>8</td><td>7</td><td>6</td><td>5</td><td>4</td><td>3</td> <td rowspan="2">2</td> </tr> <tr> <td>26</td><td>25</td><td>24</td><td>23</td><td>22</td><td>21</td><td>20</td><td>19</td><td>18</td><td>17</td><td>16</td><td>15</td> </tr> <tr> <td rowspan="2">51</td> <td>38</td><td>37</td><td>36</td><td>35</td><td>34</td><td>33</td><td>32</td><td>31</td><td>30</td><td>29</td><td>28</td><td>27</td> <td rowspan="2">1</td> </tr> <tr> <td>50</td><td>49</td><td>48</td><td>47</td><td>46</td><td>45</td><td>44</td><td>43</td><td>42</td><td>41</td><td>40</td><td>39</td> </tr> </table>															52	14	13	12	11	10	9	8	7	6	5	4	3	2	26	25	24	23	22	21	20	19	18	17	16	15	51	38	37	36	35	34	33	32	31	30	29	28	27	1	50	49	48	47	46	45	44	43	42	41	40	39																																														
52	14	13	12	11	10																	9	8	7	6	5	4	3	2																																																																																									
	26	25	24	23	22																21	20	19	18	17	16	15																																																																																											
51	38	37	36	35	34																33	32	31	30	29	28	27	1																																																																																										
	50	49	48	47	46																45	44	43	42	41	40	39																																																																																											
TOOL DES. REL.	N/A	160094-0014	9	B	ST GRY																																																																																																																	
TOOL DES. REL.	12672855	160094-0015	9	C	BLUE																																																																																																																	
TOOL DES. REL.	N/A	160094-0016	9	D	BROWN																																																																																																																	
TOOL DES. REL.	N/A	160094-0017	9	E	GREEN																																																																																																																	
TOOL DES. REL.	N/A	160094-0018	9	F	NATURAL																																																																																																																	
NA	NA	NA	NA	NA	NA	<table border="1"> <tr> <td colspan="15">73</td> </tr> <tr> <td>72</td><td>71</td><td></td><td>69</td><td>68</td><td>67</td><td>66</td><td></td><td>64</td><td>63</td><td>62</td><td></td><td>59</td><td></td><td>56</td><td></td><td>53</td> </tr> <tr> <td></td><td></td><td>50</td><td></td><td>48</td><td></td><td>46</td><td></td><td>44</td><td>43</td><td>42</td><td></td><td>39</td><td></td><td>36</td><td>35</td><td>33</td> </tr> <tr> <td colspan="15">73</td> </tr> <tr> <td></td><td></td><td></td><td></td><td>32</td><td></td><td>30</td><td>29</td><td>27</td><td></td><td>23</td><td></td><td>20</td><td></td><td>17</td><td></td><td>1</td> </tr> <tr> <td></td><td></td><td></td><td></td><td></td><td>14</td><td>13</td><td>12</td><td>11</td><td></td><td>9</td><td>8</td><td></td><td>5</td><td>4</td><td>3</td><td>2</td> </tr> </table>															73															72	71		69	68	67	66		64	63	62		59		56		53			50		48		46		44	43	42		39		36	35	33	73																			32		30	29	27		23		20		17		1						14	13	12	11		9	8		5	4	3	2
73																																																																																																																						
72	71		69	68	67	66		64	63	62		59		56		53																																																																																																						
		50		48		46		44	43	42		39		36	35	33																																																																																																						
73																																																																																																																						
				32		30	29	27		23		20		17		1																																																																																																						
					14	13	12	11		9	8		5	4	3	2																																																																																																						
SALEABLE	NOT APPLICABLE	34566-2503	0	A	BLACK	<table border="1"> <tr> <td></td><td></td><td></td><td></td><td>67</td><td>66</td><td>65</td><td></td><td></td><td></td><td></td><td></td><td>59</td><td></td><td>57</td><td></td><td>53</td> </tr> <tr> <td></td><td></td><td></td><td>49</td><td>48</td><td>47</td><td></td><td></td><td>44</td><td></td><td></td><td></td><td>39</td><td></td><td>37</td><td></td><td>33</td> </tr> <tr> <td colspan="15">73</td> </tr> <tr> <td></td><td></td><td></td><td></td><td></td><td></td><td>29</td><td>28</td><td></td><td></td><td></td><td></td><td>23</td><td></td><td>21</td><td></td><td></td> </tr> <tr> <td></td><td></td><td></td><td></td><td></td><td></td><td></td><td></td><td></td><td></td><td></td><td></td><td>7</td><td></td><td></td><td></td><td></td> </tr> </table>																			67	66	65						59		57		53				49	48	47			44				39		37		33	73																					29	28					23		21															7																			
				67	66	65						59		57		53																																																																																																						
			49	48	47			44				39		37		33																																																																																																						
73																																																																																																																						
						29	28					23		21																																																																																																								
												7																																																																																																										
SALEABLE	NOT APPLICABLE	34566-2603	0	B	ST GRY	<table border="1"> <tr> <td></td><td></td><td></td><td></td><td></td><td></td><td></td><td></td><td>65</td><td></td><td></td><td></td><td>59</td><td></td><td>57</td><td></td><td>53</td> </tr> <tr> <td></td><td></td><td></td><td>49</td><td>48</td><td>47</td><td></td><td></td><td>44</td><td></td><td></td><td></td><td>39</td><td></td><td>37</td><td></td><td>33</td> </tr> <tr> <td colspan="15">73</td> </tr> <tr> <td></td><td></td><td></td><td></td><td></td><td></td><td>29</td><td>28</td><td></td><td></td><td></td><td></td><td>23</td><td></td><td>21</td><td></td><td></td> </tr> <tr> <td></td><td></td><td></td><td></td><td></td><td></td><td></td><td></td><td></td><td></td><td></td><td></td><td>7</td><td></td><td></td><td></td><td></td> </tr> </table>																							65				59		57		53				49	48	47			44				39		37		33	73																					29	28					23		21															7																			
								65				59		57		53																																																																																																						
			49	48	47			44				39		37		33																																																																																																						
73																																																																																																																						
						29	28					23		21																																																																																																								
												7																																																																																																										
SALEABLE	NOT APPLICABLE	34566-2703	0	B	ST GRY	<table border="1"> <tr> <td></td><td></td><td></td><td></td><td></td><td></td><td></td><td></td><td>65</td><td></td><td></td><td></td><td>59</td><td></td><td>57</td><td></td><td>53</td> </tr> <tr> <td></td><td></td><td></td><td>49</td><td>48</td><td>47</td><td></td><td></td><td>44</td><td></td><td></td><td></td><td>39</td><td></td><td>37</td><td></td><td>33</td> </tr> <tr> <td colspan="15">73</td> </tr> <tr> <td></td><td></td><td></td><td></td><td></td><td></td><td>29</td><td>28</td><td></td><td></td><td></td><td></td><td>23</td><td></td><td>21</td><td></td><td></td> </tr> <tr> <td></td><td></td><td></td><td></td><td></td><td></td><td></td><td></td><td></td><td></td><td></td><td></td><td>7</td><td></td><td></td><td></td><td></td> </tr> </table>																							65				59		57		53				49	48	47			44				39		37		33	73																					29	28					23		21															7																			
								65				59		57		53																																																																																																						
			49	48	47			44				39		37		33																																																																																																						
73																																																																																																																						
						29	28					23		21																																																																																																								
												7																																																																																																										
SALEABLE	TBD	34566-2803	0	H	ST GRY	<table border="1"> <tr> <td></td><td></td><td></td><td></td><td></td><td></td><td></td><td></td><td></td><td></td><td></td><td></td><td></td><td></td><td></td><td></td><td></td> </tr> <tr> <td></td><td></td><td></td><td></td><td></td><td></td><td></td><td></td><td></td><td></td><td></td><td></td><td></td><td></td><td></td><td></td><td></td> </tr> <tr> <td></td><td></td><td></td><td></td><td></td><td></td><td></td><td></td><td></td><td></td><td></td><td></td><td></td><td></td><td></td><td></td><td></td> </tr> <tr> <td></td><td></td><td></td><td></td><td></td><td></td><td></td><td></td><td></td><td></td><td></td><td></td><td></td><td></td><td></td><td></td><td></td> </tr> </table>																																																																																																																
SALEABLE	NOT APPLICABLE	34566-2903	0	A	BLACK	<table border="1"> <tr> <td>72</td><td>71</td><td>70</td><td>69</td><td>68</td><td>67</td><td>66</td><td></td><td>64</td><td>63</td><td>62</td><td>61</td><td></td><td>59</td><td></td><td>55</td><td>54</td><td>53</td> </tr> <tr> <td>52</td><td>51</td><td></td><td>49</td><td>48</td><td></td><td></td><td></td><td>44</td><td>43</td><td>42</td><td>41</td><td></td><td>39</td><td></td><td>35</td><td>34</td><td>33</td> </tr> <tr> <td colspan="15">73</td> </tr> <tr> <td></td><td></td><td></td><td></td><td>32</td><td>31</td><td></td><td>29</td><td></td><td>27</td><td></td><td>25</td><td></td><td>23</td><td></td><td>19</td><td>18</td><td>17</td> </tr> <tr> <td></td><td></td><td></td><td></td><td></td><td></td><td>16</td><td></td><td>13</td><td>12</td><td>11</td><td></td><td>9</td><td>8</td><td>7</td><td>6</td><td>5</td><td>4</td> </tr> </table>															72	71	70	69	68	67	66		64	63	62	61		59		55	54	53	52	51		49	48				44	43	42	41		39		35	34	33	73																			32	31		29		27		25		23		19	18	17							16		13	12	11		9	8	7	6	5	4											
72	71	70	69	68	67	66		64	63	62	61		59		55	54	53																																																																																																					
52	51		49	48				44	43	42	41		39		35	34	33																																																																																																					
73																																																																																																																						
				32	31		29		27		25		23		19	18	17																																																																																																					
						16		13	12	11		9	8	7	6	5	4																																																																																																					
SALEABLE	NOT APPLICABLE	34566-3003	0	A	BLACK	<table border="1"> <tr> <td>72</td><td>71</td><td>70</td><td>69</td><td>68</td><td>67</td><td>66</td><td></td><td>64</td><td>63</td><td>62</td><td>61</td><td></td><td>59</td><td>58</td><td>57</td><td>56</td><td>55</td><td>54</td><td>53</td> </tr> <tr> <td>52</td><td>51</td><td>50</td><td>49</td><td>48</td><td>47</td><td>46</td><td></td><td>44</td><td>43</td><td>42</td><td>41</td><td></td><td>39</td><td>38</td><td>37</td><td>36</td><td>35</td><td>34</td><td>33</td> </tr> <tr> <td colspan="15">73</td> </tr> <tr> <td></td><td></td><td></td><td></td><td>32</td><td>31</td><td>30</td><td>29</td><td>28</td><td>27</td><td></td><td>25</td><td>24</td><td>23</td><td>22</td><td>21</td><td>20</td><td>19</td><td>18</td><td>17</td> </tr> <tr> <td></td><td></td><td></td><td></td><td>16</td><td>15</td><td>14</td><td>13</td><td>12</td><td>11</td><td></td><td>9</td><td>8</td><td>7</td><td>6</td><td>5</td><td>4</td><td>3</td><td>2</td><td>1</td> </tr> </table>															72	71	70	69	68	67	66		64	63	62	61		59	58	57	56	55	54	53	52	51	50	49	48	47	46		44	43	42	41		39	38	37	36	35	34	33	73																			32	31	30	29	28	27		25	24	23	22	21	20	19	18	17					16	15	14	13	12	11		9	8	7	6	5	4	3	2	1			
72	71	70	69	68	67	66		64	63	62	61		59	58	57	56	55	54	53																																																																																																			
52	51	50	49	48	47	46		44	43	42	41		39	38	37	36	35	34	33																																																																																																			
73																																																																																																																						
				32	31	30	29	28	27		25	24	23	22	21	20	19	18	17																																																																																																			
				16	15	14	13	12	11		9	8	7	6	5	4	3	2	1																																																																																																			
SALEABLE	NOT APPLICABLE	34566-3103	0	B	ST GRY	<table border="1"> <tr> <td></td><td></td><td></td><td></td><td></td><td></td><td></td><td></td><td>65</td><td></td><td></td><td></td><td>59</td><td></td><td>57</td><td></td><td>55</td><td></td><td>53</td> </tr> <tr> <td></td><td></td><td></td><td>49</td><td>48</td><td></td><td>46</td><td></td><td></td><td></td><td>42</td><td></td><td>39</td><td></td><td>37</td><td></td><td>35</td><td></td><td>33</td> </tr> <tr> <td colspan="15">73</td> </tr> <tr> <td></td><td></td><td></td><td></td><td></td><td></td><td>29</td><td></td><td></td><td></td><td>26</td><td></td><td>23</td><td></td><td>21</td><td></td><td>18</td><td></td><td></td> </tr> <tr> <td></td><td></td><td></td><td></td><td></td><td></td><td></td><td>15</td><td></td><td></td><td></td><td></td><td>9</td><td>8</td><td>7</td><td></td><td>4</td><td>3</td><td></td> </tr> </table>																							65				59		57		55		53				49	48		46				42		39		37		35		33	73																					29				26		23		21		18										15					9	8	7		4	3								
								65				59		57		55		53																																																																																																				
			49	48		46				42		39		37		35		33																																																																																																				
73																																																																																																																						
						29				26		23		21		18																																																																																																						
							15					9	8	7		4	3																																																																																																					
SALEABLE	NOT APPLICABLE	34566-3203	0	B	ST GRY	<table border="1"> <tr> <td></td><td></td><td></td><td></td><td>67</td><td></td><td></td><td></td><td></td><td></td><td></td><td></td><td>60</td><td>59</td><td>58</td><td>57</td><td>56</td><td>55</td><td></td><td>53</td> </tr> <tr> <td></td><td></td><td>50</td><td>49</td><td>48</td><td></td><td>46</td><td></td><td></td><td></td><td></td><td></td><td>39</td><td>38</td><td>37</td><td></td><td>35</td><td>34</td><td>33</td><td></td> </tr> <tr> <td colspan="15">73</td> </tr> <tr> <td></td><td></td><td></td><td></td><td></td><td></td><td>29</td><td></td><td></td><td></td><td></td><td></td><td>23</td><td>22</td><td>21</td><td></td><td>18</td><td></td><td></td> </tr> <tr> <td></td><td></td><td></td><td></td><td></td><td></td><td>16</td><td>15</td><td>14</td><td></td><td></td><td></td><td>7</td><td>6</td><td>5</td><td>4</td><td>3</td><td></td><td></td> </tr> </table>																			67								60	59	58	57	56	55		53			50	49	48		46						39	38	37		35	34	33		73																					29						23	22	21		18									16	15	14				7	6	5	4	3							
				67								60	59	58	57	56	55		53																																																																																																			
		50	49	48		46						39	38	37		35	34	33																																																																																																				
73																																																																																																																						
						29						23	22	21		18																																																																																																						
						16	15	14				7	6	5	4	3																																																																																																						
SALEABLE	NOT APPLICABLE	34566-3303	0	B	ST GRY	<table border="1"> <tr> <td></td><td></td><td></td><td></td><td></td><td></td><td></td><td></td><td></td><td></td><td></td><td></td><td></td><td>59</td><td>58</td><td>57</td><td>56</td><td>55</td><td></td><td>53</td> </tr> <tr> <td></td><td></td><td>50</td><td>49</td><td>48</td><td></td><td>46</td><td></td><td></td><td></td><td></td><td></td><td>39</td><td>38</td><td>37</td><td></td><td>35</td><td>34</td><td>33</td><td></td> </tr> <tr> <td colspan="15">73</td> </tr> <tr> <td></td><td></td><td></td><td></td><td></td><td></td><td>29</td><td></td><td></td><td></td><td></td><td></td><td>23</td><td>22</td><td>21</td><td></td><td>18</td><td></td><td></td> </tr> <tr> <td></td><td></td><td></td><td></td><td></td><td></td><td>16</td><td>15</td><td>14</td><td></td><td></td><td></td><td>7</td><td>6</td><td>5</td><td>4</td><td>3</td><td></td><td></td> </tr> </table>																												59	58	57	56	55		53			50	49	48		46						39	38	37		35	34	33		73																					29						23	22	21		18									16	15	14				7	6	5	4	3							
													59	58	57	56	55		53																																																																																																			
		50	49	48		46						39	38	37		35	34	33																																																																																																				
73																																																																																																																						
						29						23	22	21		18																																																																																																						
						16	15	14				7	6	5	4	3																																																																																																						
SALEABLE	NOT APPLICABLE	34566-3403				SEE 34566-3003																																																																																																																
SALEABLE	NOT APPLICABLE	34566-3503	0	A	BLACK	<table border="1"> <tr> <td>72</td><td>71</td><td></td><td>69</td><td>68</td><td>67</td><td>66</td><td></td><td>64</td><td>63</td><td>62</td><td></td><td>60</td><td>59</td><td></td><td></td><td></td><td></td><td></td><td></td> </tr> <tr> <td>52</td><td></td><td></td><td>49</td><td>48</td><td></td><td>46</td><td></td><td>44</td><td>43</td><td>42</td><td></td><td>40</td><td>39</td><td></td><td></td><td></td><td>35</td><td></td><td>33</td> </tr> <tr> <td colspan="15">73</td> </tr> <tr> <td></td><td></td><td></td><td></td><td>32</td><td></td><td>29</td><td></td><td>27</td><td></td><td>24</td><td>23</td><td></td><td></td><td></td><td></td><td></td><td></td><td></td><td>17</td> </tr> <tr> <td></td><td></td><td></td><td></td><td></td><td></td><td>14</td><td>13</td><td>12</td><td>11</td><td></td><td>9</td><td>8</td><td>7</td><td>6</td><td>5</td><td>4</td><td>3</td><td>2</td><td>1</td> </tr> </table>															72	71		69	68	67	66		64	63	62		60	59							52			49	48		46		44	43	42		40	39				35		33	73																			32		29		27		24	23								17							14	13	12	11		9	8	7	6	5	4	3	2	1			
72	71		69	68	67	66		64	63	62		60	59																																																																																																									
52			49	48		46		44	43	42		40	39				35		33																																																																																																			
73																																																																																																																						
				32		29		27		24	23								17																																																																																																			
						14	13	12	11		9	8	7	6	5	4	3	2	1																																																																																																			

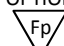
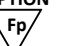

MX123 52/66/73/80-WAY RECEPTACLE ASSY SEALED PIN OUT SHEET

STATUS	GM PART #	HRNS CONN ASSY			TPA	GROMMET CAP																						
		MATERIAL/PART	WIRE DRESS OPTION	KEY OPTION 	COLOR OPTION 	NUMBERS INDICATE CAVITIES OPEN FOR CIRCUITS 																						
		NUMBER																										
SALEABLE	NOT APPLICABLE	34566-3603	0	B	ST GRY					68				64					59		57		55		53			
									49	48		46						39		37		35		33				
						73				32			29					23		21				18				
SALEABLE	NOT APPLICABLE	34566-3703	0	A	BLACK					68	67	66	65					59				55		53				
									49	48	47			44				39				35		33				
						73							29	28				23										
SALEABLE	NOT APPLICABLE	34566-3803	0	A	BLACK	72	71		69	68	67	66		64	63	62		59			56		53					
									50	48		46		44	43	42		39			36	35		33				
						73				32			30	29		27		23			20			17				
SALEABLE	NOT APPLICABLE	34566-3903	0	B	ST GRY									64	63			59			56		53					
									49	48		46		44				39		37		35		33				
						73							29	28				24	23		21							
SALEABLE	NOT APPLICABLE	34566-4003	0	B	ST GRY						67	66		64	63			59			55		53					
									50	49	48			43			39		37		35		33					
						73				32			29		27		24	23		21		18						
SALEABLE	NOT APPLICABLE	34566-4103	0	A	BLACK	72	71		69	68	67	66		64	63	62		60	59			56		53				
									50	49	48		46	45	44	43	42		40	39			35		33			
						73				32			29		27	26		24	23						17			
SALEABLE	NOT APPLICABLE	34566-4203	0	B	ST GRY									64				59			57		55		53			
									50	49	48		46					39		37		35		33				
						73				32			29					24	23		21				18			
SALEABLE	NOT APPLICABLE	34566-4303	0	A	BLACK													59	58	57	56							
									70	69	68	67		65	64	63		61			38	37	36		34	33		
						73				32	31	30	29	28	27		24	23		20	19	18				1		
SALEABLE	NOT APPLICABLE	34566-4403	0	A	BLACK	72	71		69	68	67	66		64	63			59	58	57	56							
									50	49	48	47					41			38	37	36		34	33			
						73				32	31	30	29	28	27		24	23		20	19	18						
SALEABLE	NOT APPLICABLE	34566-4503	0	H	ST GRY																							
									79	78	77	76	75	74	73	72	71	70	69	68		66	65	64	63		61	
						60	59	58	57	56				53				50						44	43		41	
SALEABLE	NOT APPLICABLE	34566-4603	0	H	ST GRY																							
									79	78	77	76	75	74	73	72	71	70	69	68		66	65	64	63		61	
						60	59	58	57	56				53				50						44	43		41	
SALEABLE	NOT APPLICABLE	34566-4703	0	B	ST GRY																							
									49	48	47			44					39	38	37		35		33			
						73							29					23	22	21								
SALEABLE	NOT APPLICABLE	34566-4803	0	A	BLACK																							
									72	71		69	68	67	66		64	63	62	61		59					53	
						73				32			29		27		25		23								35	33
SALEABLE	NOT APPLICABLE	34566-4903	0	A	BLACK																							
									72	71		69	68		66	65	64	63	62	61		59	58	57	56	55		53
						73				32	31	30	29	28	27		24	23		20	19	18					34	33
SALEABLE	NOT APPLICABLE	34566-5003	0	H	ST GRY																							
									79	78	77	76	75	74	73	72	71	70	69	68		66	65	64	63		61	
						60	59	58	57	56				53	52		50							44	43		41	

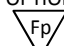
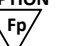

MX123 52/66/73/80-WAY RECEPTACLE ASSY SEALED PIN OUT SHEET

STATUS	GM PART #	HRNS CONN ASSY			TPA	GROMMET CAP																					
		MATERIAL/PART	WIRE DRESS OPTION	KEY OPTION 	COLOR OPTION 	NUMBERS INDICATE CAVITIES OPEN FOR CIRCUITS 																					
		NUMBER																									
SALEABLE	NOT APPLICABLE	34566-9603	0	A	BLACK	52	71	70	69	68		66	65	64	63		61		59	58	57	56					
								50	49		47							41				38	37	36	35	34	33
						73			32	31	30	29	28	27			24	23						20	19	18	17
SALEABLE	NOT APPLICABLE	34566-9703	0	A	BLACK	72	71	70	69	68			65	64	63		61		59		57	56					
						52	51	50	49		47						41				38	37	36		34	33	
						73			32	31	30	29	28	27			24	23						20	19	18	17
SALEABLE	NOT APPLICABLE	34566-9803	0	A	BLACK	72	71	70	69	68			65	64	63		61		59		57	56					
						52	51	50	49		47						41				38	37	36		34	33	
						73			32	31	30	29	28	27			24	23						20	19	18	17
SALEABLE	NOT APPLICABLE	34566-9903	0	A	BLACK	52	71		69	68			65	64	63		61		59	58	57	56					
								50	49		47						41				38	37	36		34	33	
						73			32	31	30	29	28	27			24	23						20	19	18	17
SALEABLE	NOT APPLICABLE	34566-1013	0	A	BLACK	52	71		69	68			65	64	63		61		59	58	57	56					
								50	49		47						41				38	37	36		34	33	
						73			32	31	30	29	28	27			24	23						20	19	18	17
SALEABLE	NOT APPLICABLE	34566-1023	0	A	BLACK			70			67	66	65						58	57		55	54				
								50	49		47			44	43	42	41		39		37		35				
						73			32		30			27		25	24				21	20	19	18	17		
SALEABLE	NOT APPLICABLE	34566-1033	0	A	BLACK	72		70			67	66	65					58	57		55	54					
								50	49		47			44	43	42	41		39		37		35				
						73			32		30			27	26	25	24				21	20	19	18	17		
SALEABLE	NOT APPLICABLE	34566-1043	0	B	ST GRAY		71	70		68		66	65				59	58	57			54	53				
							51	50	49	48		46	45		43		41	40	39	38	37	36	35				
						73			32	31	30					24	23	22		20							
SALEABLE	NOT APPLICABLE	34566-1053	0	H	ST GRAY		79	78	77	76	75	74	73	72	71	70	69	68		66	65	64	63			61	
						60	59	58	57	56			53	52		50							44	43			41
						40	39	38	37		35	34	33	32		30	29		27	26						22	21
SALEABLE	NOT APPLICABLE	34566-1063	0	B	ST GRAY				49	48	47						60	59		57	56	55		53			
													44				40	39	38	37		36	35			33	
						73								29	28				24	23		21					2
SALEABLE	NOT APPLICABLE	34566-1073	0	A	BLACK	72	71	70	69	68	67	66	65	64	63		61		59	58	57	56			54		
								50	49	48	47					42	41			38	37	36		34	33		
						73			32	31	30	29	28	27	26	25	24	23					20	19	18	17	
SALEABLE	NOT APPLICABLE	34566-1083	0	B	ST GRAY					68	67	66	65	64				59	58	57		55	54	53			
							51	50	49	48		46	45		43	42	41	40	39	38	37		35			33	
						73			32	31	30				26	24	23	22		20							
SALEABLE	NOT APPLICABLE	34566-1093	0	A	BLACK			70		68	67	66						58		56	55	54					
									49		47			44	43	42	41		39		37	36		34			
						73				31	30				27		25	24				21	20	19	18		1
SALEABLE	NOT APPLICABLE	34566-1123	0	H	ST GRAY			78						72	71	70	69	68	67	66	65	64	63		61		
								58	57	56			53	52	51	50							44	43			41
						40			37		35	34	33	32		30	29		27	26						22	21
SALEABLE	NOT APPLICABLE	34566-1133	0	A	BLACK			70		68	67	66					61		58	57		55	54				
									49		47			45	44	43	42	41		39		37		34			
						73			32		30			27		25	24				21	20	19	18			1

MX123 52/66/73/80-WAY RECEPTACLE ASSY SEALED PIN OUT SHEET

STATUS	GM PART #	HRNS CONN ASSY			TPA	GROMMET CAP																					
		MATERIAL/PART	WIRE DRESS OPTION	KEY OPTION 	COLOR OPTION 	NUMBERS INDICATE CAVITIES OPEN FOR CIRCUITS 																					
		NUMBER																									
SALEABLE	NOT APPLICABLE	34566-1143	0	A	BLACK	52		50		68			65		63		61		59	58		56			53		
						73			32	31	30	29	28	27		25	24	23	22	21	20	19	18	17			
						73			16	15	14	13	12	11	10	9											1
SALEABLE	NOT APPLICABLE	34566-1153	0	A	BLACK			70				67	66	65						58	57		55				
						73					49		47		44	43	42	41		39		37					
						73			32		30			27		25	24	23		21	20	19	18	17			
SALEABLE	NOT APPLICABLE	34566-1163	0	H	ST GRY				78					72	71	70	69	68		66	65	64	63		61		
						60	59	58	57	56			53	52		50							44	43		41	
						40			37		35	34		32		30	29		27	26						22	21
SALEABLE	NOT APPLICABLE	34566-1173	0	A	BLACK	20	19	18	17	16			13	12			8		6	5			3	2			
						72	71		69	68			65	64	63	62	61	60	59	58		56				54	53
						52			50	49	48	47		45			42	41			38	37		36		34	33
SALEABLE	NOT APPLICABLE	34566-1183	0	B	ST GRY	73			32	31	30	29	28	27	26		24	23									
						73							66	65	64		62		59		57		55		53		
						73					49	48	47		44		42		39		37		35		33		
SALEABLE	NOT APPLICABLE	34566-1193	0	A	BLACK	73							29	28			23		21				17				
						73											9	7									
						72	71		69	68	67	66		64	63	62		60	59							54	53
SALEABLE	NOT APPLICABLE	34566-1213	0	A	BLACK	52			49	48		46		44	43	42			39					34	33		
						73			32			29		27				23									17
						73							14	13	12	11		9	8	7	6	5	4	3	2	1	
SALEABLE	NOT APPLICABLE	34566-1223	0	B	ST GRY	72	71		69	68	67	66		64	63	62		60	59						54	53	
						73							67	66	65		63	62		59		57		55		53	
						73							48				43	42		39		37		35		33	
SALEABLE	NOT APPLICABLE	34566-1233	0	B	ST GRY	73							29	28			23		21				17				
						73										12		9	7								
												65				62		60	59		57		55		53		
SALEABLE	NOT APPLICABLE	34566-1243	0	B	ST GRY	52			49	48		46		44	43	42			39					34	33		
						73			32			29		27				23		21							17
						73							15		12				7	6	5	4	3	2	1		
SALEABLE	NOT APPLICABLE	34566-1253	9	B	ST GRY							65				60	59		57		55		53				
						73							49	48		46			40	39		37		35		33	
						73													24	23		21					2
SALEABLE	NOT APPLICABLE	34566-1263	9	A	BLACK	NUMBERS IN BOLD MUST USE SAE WIRE MEETING SAE J1128, WIRE SIZE (NO.20) OR (NO.18 MAX. O.D. OF 2.06 MM) PER G.M. DRAWING NUMBER 12582682.																					
						72	71		69	68	67	66		64	63	62		60	59		57		56			53	
								50		48		46		44	43	42			39				36	35			33
SALEABLE	NOT APPLICABLE	34566-1273	0	A	BLACK	73			32		30	29	28	27		24	23		20	19	18	17					
						73							14	13	12	11		9	8							1	
								70	69	68			65	64	63		61		59	58	57	56					
SALEABLE	NOT APPLICABLE	34566-1283	0	A	BLACK	52		50	49	48	47					41			38	37		36		34	33		
						73			32	31	30	29	28	27		24	23					20	19	18	17		
						73			16				13	12	11	10	9										1
SALEABLE	NOT APPLICABLE	34566-1283	0	A	BLACK	72	71	70	69	68		66	65	64	63		61		59	58	57	56		54	53		
						52			50	49	48	47					42	41			38	37		36		34	33
						73			32	31	30	29	28	27	26		24	23									

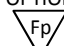
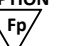

MX123 52/66/73/80-WAY RECEPTACLE ASSY SEALED PIN OUT SHEET

STATUS	GM PART #	HRNS CONN ASSY			TPA	GROMMET CAP																						
		MATERIAL/PART	WIRE DRESS OPTION	KEY OPTION 	COLOR OPTION 	NUMBERS INDICATE CAVITIES OPEN FOR CIRCUITS 																						
		NUMBER																										
SALEABLE	NOT APPLICABLE	34566-1293	0	A	BLACK	52		50		68			65		63		61		59	58		56			34	33		
						73			32	31	30	29	28	27		24	23			20	19	18	17					
						73			16			13	12	11	10	9								1				
SALEABLE	NOT APPLICABLE	34566-1313	0	H	ST GRY	80		78					72	71	70	69	68		66	65	64	63			61			
						73			40			37		35			32		30	29		27	26			21		
						73			20	19	18	17		15			12			8		6	5			3	2	
SALEABLE	NOT APPLICABLE	34566-1323	0	A	BLACK	72	71	70	69	68	67	66	65	64	63	62		60	59	58	57	56	55	54	53			
						73			52	51	50	49	48	47	46	45	44	43	42	41	40	39	38	37	36	35	34	33
						73			32			31	30	29	28	27		25	24	23	22	21	20	19	18	17		
SALEABLE	NOT APPLICABLE	34566-1333	0	A	BLACK			70	69	68			65	64				59	58		56			34				
						73			52		50	49		47					41			38	37	36				
						73			32			31	30	29	28	27				23			20	19	18	17		
SALEABLE	NOT APPLICABLE	34566-1343	0	A	BLACK	72	71		69		67		65	64	63				59	58	57	56			34			
						73					50	49	48	47					41			38	37	36				
						73			32			31	30	29	28	27				23			20	19	18	17		
SALEABLE	NOT APPLICABLE	34566-1353	0	H	ST GRY		79	78	77	76	75	74	73	72	71	70	69	68		66	65	64	63		61			
						73			60	59	58	57	56		53			50						44	43		41	
						73			40	39	38	37		35	34		32		30	29		27	26			22	21	
SALEABLE	NOT APPLICABLE	34566-1363	0	A	BLACK	72	71		69	68	67	66		64	63	62			59						53			
						73						48		46			44	43	42			39						
						73			32					29			27			24	23							
SALEABLE	NOT APPLICABLE	34566-1373	0	B	ST GRY							66	65			62			59		57		55	53				
						73						48		46				42			39		37		35	33		
						73								29			26			23		21						
SALEABLE	NOT APPLICABLE	34566-1383	0	B	ST GRY									65				59	58	57		55	53					
						73					49	48	47	46						39	38	37		35	33			
						73								29					23	22	21							
SALEABLE	NOT APPLICABLE	34566-1393	0	A	BLACK			70			67	66				61			58	57		55	54					
						73						48		47		45	44	43	42	41	39		37		35	34		
						73			32				30				27		25	24			21	20	19	18		
SALEABLE	NOT APPLICABLE	34566-1423	0	B	ST GRY					68	67	66	65			61	60	59	58	57			54	53				
						73				51	50	49	48	47	46	45		43	42	41	40	39	38	37		35	34	33
						73			32			31	30					26		24	23	22	21	20				
SALEABLE	NOT APPLICABLE	34566-1433	0	B	ST GRY							66		64				59		57		55	53					
						73					49	48		46						39		37		35	33			
						73			32					29					23		21			18	17			
SALEABLE	NOT APPLICABLE	34566-1443	0	B	ST GRY				69	68		66					59		57		55	53						
						73					49	48		46						39		37		35	33			
						73								29					23		21							
SALEABLE	NOT APPLICABLE	34566-1453	0	B	ST GRY						66	65	64		62			59		57		55	53					
						73					49	48	47			44		42		39		37		35	33			
						73								29	28		26		23		21							
SALEABLE	NOT APPLICABLE	34566-1463	0	A	BLACK				69	68			65	64	63	62	61	60	59	58		56			34	33		
						73			52		50	49	48	47		45			41			38	37	36				
						73			32			31	30	29	28	27			24	23			20	19	18	17		

MX123 52/66/73/80-WAY RECEPTACLE ASSY SEALED PIN OUT SHEET

STATUS	GM PART #	HRNS CONN ASSY			TPA	GROMMET CAP																				
		MATERIAL/PART	WIRE DRESS OPTION	KEY OPTION	COLOR OPTION	NUMBERS INDICATE CAVITIES OPEN FOR CIRCUITS																				
		NUMBER																								
SALEABLE	NOT APPLICABLE	34566-1473	0	A	BLACK	72	71		69	68	67	66		64	63	62		59					54	53		
						52			49	48		46		44	43	42			39						34	33
						73						29		27			24	23								
SALEABLE	NOT APPLICABLE	34566-1483	0	A	BLACK	72	71		69	68			65	64	63		61		59	58		56				
						52		50	49		47					41			38	37	36			34	33	
						73				32	31	30	29	28	27		24	23			20	19	18	17		
SALEABLE	NOT APPLICABLE	34566-1493	0	B	ST GRY				68								59	58	57		55		53			
									49	48		46						39	38	37		35			33	
						73						29			12	11	10		7						18	17
SALEABLE	NOT APPLICABLE	34566-1513	0	B	ST GRY				68				65				59		57		55		53			
									49	48		46						39		37		35			33	
						73						29			12				7							17
SALEABLE	NOT APPLICABLE	34566-1523	0	A	BLACK			70	69	68			65	64			59	58		56		54				
						52		50	49		47				42	41			38	37	36			34		
						73				32	31	30	29	28	27	26		23			20	19	18	17		
SALEABLE	NOT APPLICABLE	34566-1533	0	A	BLACK	72	71	70	69	68			65	64	63		61		59	58	57	56				
						52	51	50	49		47					41			38	37	36			34	33	
						73				32	31	30	29	28	27		24	23			20	19	18	17		
SALEABLE	NOT APPLICABLE	34566-1543	0	B	ST GRY				69	68		66					59		57		55		53			
									49	48		46						39		37		35			33	
						73						29				11	10		7							
SALEABLE	12582677	34566-1553	0	A	BLACK																					
TOOL DESIGN SALEABLE	NOT APPLICABLE	34566-1563	9	A	BLACK																					
TOOL DESIGN SALEABLE	NOT APPLICABLE	34566-1573	9	H	ST GRY																					
SALEABLE	NOT APPLICABLE	34566-1583	0	A	BLACK			70				67	66	65			61		58	57		55	54			
									49		47		45	44	43	42	41		39		37			34		
						73				32		30			27		25	24		21	20	19	18	17		
SALEABLE	NOT APPLICABLE	34566-1593	0	B	ST GRY					67		65				61	60	59	58	57		54	53			
							51	50	49	48	47	46	45		43	42		40	39		37			34	33	
						73				32	31	30			26		24	23	22	21	20					
SALEABLE	NOT APPLICABLE	34566-1613	0	H	ST GRY		79	78	77	76	75	74	73	72	71	70	69	68		66	65	64	63	61		
						60	59	58	57	56			53		50								44	43		41
						40	39	38	37		35	34	33	32		30	29		27	26			24	23	22	21
SALEABLE	NOT APPLICABLE	34566-1623	0	B	ST GRY							66	65			62		59		57		55	53			
									48	47					42			39		37		35			33	
						73						29			12		9		7							17
SALEABLE	NOT APPLICABLE	34566-1633	0	B	ST GRY				69	68		66					59		57		55		53			
								50		48	47							39		37		35			33	
						73						29						23		21						17

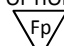
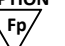

MX123 52/66/73/80-WAY RECEPTACLE ASSY SEALED PIN OUT SHEET

STATUS	GM PART #	HRNS CONN ASSY			TPA	GROMMET CAP																							
		MATERIAL/PART	WIRE DRESS OPTION	KEY OPTION 	COLOR OPTION 	NUMBERS INDICATE CAVITIES OPEN FOR CIRCUITS 																							
		NUMBER																											
SALEABLE	NOT APPLICABLE	34566-1643	0	B	ST GRN				69	68			66							59		57		55		53			
								50		48		46										39		37		35		33	
						73							29									23		21				17	
SALEABLE	NOT APPLICABLE	34566-1653	0	B	ST GRN								66							59		57		55		53			
								50		48		46										39		37		35		33	
						73							29									23		21				17	
SALEABLE	NOT APPLICABLE	34566-1663	0	B	ST GRN								66							59		57		55		53			
								50		48		46										39		37		35		33	
						73							29									23		21				17	
SALEABLE	NOT APPLICABLE	34566-1673	0	A	BLACK		72	71	70	69	68	67	66	65	64	63	62		60	59					55	54	53		
							52			49	48			45	44	43	42	41	40	39							35	34	33
						73							32			29		27		25	24	23						19	18
SALEABLE	NOT APPLICABLE	34566-1683	0	B	ST GRN						67	66			63				59	58	57	56	55		53				
								50	49	48					43						39	38	37	36	35		33		
						73							29		27						23	22	21						
SALEABLE	NOT APPLICABLE	34566-1693	0	B	ST GRN								66			64				59		57		55		53			
									49	48		46										39		37		35		33	
						73							32			29						23		21					17
SALEABLE	NOT APPLICABLE	34566-1713	0	B	ST GRN			71	70		68		66	65	64	63		60	59	58	57	56	55	54	53				
								51	50	49	48		46	45		43		41	40	39	38	37	36	35		33			
						73							32	31	30					24	23	22			20	19			
SALEABLE	NOT APPLICABLE	34566-1723	0	B	ST GRN			71	70		68		66	65			60	59	58	57			54	53					
								51	50	49	48		46	45		43		41	40	39	38	37	36	35		33			
						73							32	31	30					24	23	22			20				
SALEABLE	NOT APPLICABLE	34566-1733	0	A	BLACK				70		68	67	66	65					58	57			55						
									49		47			44	43	42	41		39		37		35						
						73							32		30			27		25	24			21	20	19	18	17	
SALEABLE	NOT APPLICABLE	34566-1743	0	A	BLACK				70		68	67	66	65					58	57			55						
									49		47			44	43	42	41		39		37		35						
						73							32		30			27		25	24			21	20	19	18	17	
SALEABLE	NOT APPLICABLE	34566-1753	0	A	BLACK				70		68	67	66	65					58	57			55						
									49		47			44	43	42	41		39		37		35						
						73							32		30			27		25	24			21	20	19	18	17	
SALEABLE	NOT APPLICABLE	34566-1763	0	B	ST GRN						67		65				61	60	59	58	57			54	53				
								51	50	49	48	47	46	45		43		40	39		37					34	33		
						73							32	31	30				26		24	23	22	21	20				
SALEABLE	NOT APPLICABLE	34566-1773	0	C	BLUE		72		70			67	66			63	62		59		57				53				
							52	51					46		44		42		40	39						34	33		
						73							30				27	26	25			22	21	20					
SALEABLE	NOT APPLICABLE	34566-1783	0	C	BLUE		72		70			67	66			63	62		59		57				53				
							52	51					46		44		42		40	39						34	33		
						73							15	14				10	9			6	5	4					
SALEABLE	NOT APPLICABLE	34566-1793	0	A	BLACK					69						63	62	61		58	57	56	55	54	53				
							52	51		49					44	43	42	41					37	36	35	34	33		
						73							32			29	28	27	26							19	18		

MX123 52/66/73/80-WAY RECEPTACLE ASSY SEALED PIN OUT SHEET

STATUS	GM PART #	HRNS CONN ASSY			TPA	GROMMET CAP																				
		MATERIAL/PART	WIRE DRESS OPTION	KEY OPTION ▽ Fp	COLOR OPTION ▽ Fp	NUMBERS INDICATE CAVITIES OPEN FOR CIRCUITS ▽ Fp																				
		NUMBER																								
SALEABLE	NOT APPLICABLE	34566-1813	0	B	ST GRY	72	71	70		68	67	66			62	61	60	59	58	57	56	55	54	53		
						52	51	50		48	47	46			42	41	40	39	38	37	36	35	34	33		
						73			32	31	30	29	28	27	26	25	24	23								
SALEABLE	NOT APPLICABLE	34566-1823	0	A	BLACK	72	71	70	69	68		66	65	64			61		59	58		56		54	53	
						52		50	49		47				42	41			38	37	36		34	33		
						73			32	31	30	29	28	27	26		24	23	22	21	20	19	18	17		
SALEABLE	NOT APPLICABLE	34566-1833	0	A	BLACK					68			65		63		61		59	58		56				
						52		50			47				41			38	37	36		34	33			
						73			32	31	30	29	28	27		25	24	23			20	19	18	17		
SALEABLE	NOT APPLICABLE	34566-1843	0	A	BLACK					68			65		63		61		59	58		56				
						52		50			47				41			38	37	36	35	34	33			
						73			32	31	30	29	28	27		24	23	22	21	20	19	18	17			
SALEABLE	NOT APPLICABLE	34566-1853	0	A	BLACK	72		70	69	68	67		65		63		61	60		57	56	55	54	53		
						52		50	49	48	47			44	43		41	40		37	36	35	34	33		
						73			32		30	29	28			25	24		21	20	19	18	17			
SALEABLE	NOT APPLICABLE	34566-1863	0	B	ST GRY					68	67	66	65	64	63											
												46	45		43											
						73			32		30	29	28	27												17
SALEABLE	NOT APPLICABLE	34566-1873	0	C	BLUE	72		70				66			63	62		59		57				53		
						52	51					46		44		42		40	39						34	33
						73			32		30			27	26	25			22	21	20					
SALEABLE	NOT APPLICABLE	34566-1883	0	A	BLACK			70		68	67	66	65					58	57		55					
									49		47			44	43	42	41	40	39		37		35			
						73			32		30			27		25	24			21	20	19	18	17		
SALEABLE	NOT APPLICABLE	34566-1893	0	C	BLUE			70				66			63			59		57				53		
						52	51					46		44		42		40	39						34	33
						73			32		30			27	26	25			22	21	20					
SALEABLE	NOT APPLICABLE	34566-1913	0	B	ST GRY	72		70		68		66					60	59				55	54	53		
						52		50		48		46				40	39					35	34	33		
						73			32	31	30	29	28	27	26	25	24									
SALEABLE	NOT APPLICABLE	34566-1923	0	A	BLACK				69						63				58		56	55	54	53		
						52	51		49					44	43	42	41					36	35	34	33	
						73			32					28		26						19	18			
SALEABLE	NOT APPLICABLE	34566-1933	0	A	BLACK			70				67	66	65					58	57		55				
									49		47			44	43	42	41	40	39		37		35			
						73			32		30			27		25	24			21	20	19	18	17		
SALEABLE	NOT APPLICABLE	34566-1943	0	A	BLACK			70				67	66	65					58	57		55				
							51		49		47			44	43	42	41	40	39		37		35			
						73			32		30			27		25	24			21	20	19	18	17		
SALEABLE	NOT APPLICABLE	34566-1953	0	C	BLUE			70				66			63			59		57				53		
						52	51			48	47	46		44		42		40	39						34	33
						73					30				26	25			22	21	20					
SALEABLE	NOT APPLICABLE	34566-1963	0	C	BLUE			70				66			63			59		57				53		
						52	51					46		44		42		40	39						34	33
						73					30				26	25			22	21	20					

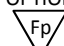
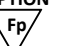

MX123 52/66/73/80-WAY RECEPTACLE ASSY SEALED PIN OUT SHEET

STATUS	GM PART #	HRNS CONN ASSY			TPA	GROMMET CAP																							
		MATERIAL/PART	WIRE DRESS OPTION	KEY OPTION 	COLOR OPTION 	NUMBERS INDICATE CAVITIES OPEN FOR CIRCUITS 																							
		NUMBER																											
SALEABLE	NOT APPLICABLE	34566-1973	0	A	BLACK				69														56	55	54	53			
						52	51		49							44	43	42	41							36	35	34	33
						73				32					28		26			23						21		19	18
SALEABLE	NOT APPLICABLE	34566-1983	0	B	ST GRN																								
						73				16					12		10			8					5		3		
						73																							
SALEABLE	NOT APPLICABLE	34566-1993	0	C	BLUE																								
						73																							
						73																							
SALEABLE	NOT APPLICABLE	34566-2013	0	A	BLACK		71	70					65						60	59	58	57			54	53			
							51	50	49	48		46	45		43		41	40	39		37	36	35						
						73				32	31	30						24	23	22		20							
SALEABLE	NOT APPLICABLE	34566-2023	0	A	BLACK			70		68	67	66	65							58	57			55					
									49		47			44	43	42	41		39		37				35				
						73				32		30				27		25	24		21	20	19	18	17				
SALEABLE	NOT APPLICABLE	34566-2033	0	A	BLACK		71	70					65	64					60	59	58	57			55	54	53		
							51	50	49	48		46	45		43		41	40	39		37	36	35						
						73				32	31	30						24	23	22		20							
SALEABLE	NOT APPLICABLE	34566-2043	0	A	BLACK			70			67	66	65							58	57			55					
									49		47			44	43	42	41		39		37				35				
						73				32		30				27		25	24		21	20	19	18	17				
SALEABLE	NOT APPLICABLE	34566-2053	0	B	ST GRN			70		68	67	66	65							58	57			55					
									49		47			44	43	42	41		39		37				35				
						73				32		30				27		25	24	23		21	20	19	18				
SALEABLE	NOT APPLICABLE	34566-2063	0	H	ST GRN			78						72	71	70	69	68		66	65	64	63			61			
								58	57	56			53	52		50								44	43			41	
						40			37		35	34		32		30	29		27	26							22	21	
SALEABLE	NOT APPLICABLE	34566-2073	0	H	ST GRN			78						72	71	70	69	68		66	65	64	63			61			
								58	57	56			53	52		50								44	43			41	
						40			37		35	34		32		30	29		27	26							22	21	
SALEABLE	NOT APPLICABLE	34566-2083	0	H	ST GRN			78						72	71	70	69	68	67	66	65	64	63			61			
								58	57	56			53	52	51	50								44	43			41	
						40			37		35	34		32		30	29		27	26							22	21	
SALEABLE	NOT APPLICABLE	34566-2093	0	A	BLACK					68			65			63		61		59	58			56					
						52		50			47						41			38	37	36			34	33			
						73				32	31	30	29	28	27		25	24	23						20	19	18	17	
SALEABLE	NOT APPLICABLE	34566-2113	0	H	ST GRN		79	78	77	76	75	74	73	72	71	70	69	68		66	65	64	63			61			
						60	59	58	57	56	55		53	52		50								44	43	42	41		
						40	39	38	37		35	34	33	32		30	29		27	26							22	21	
SALEABLE	NOT APPLICABLE	34566-2123	0	H	ST GRN			79	78	77	76	75	74	73	72	71	70	69	68		66	65	64	63			61		
						60	59	58	57	56	55		53	52		50									44	43	42	41	
						40	39	38	37		35	34	33	32		30	29		27	26							22	21	
SALEABLE	NOT APPLICABLE	34566-2133	0	B	ST GRN		71	70					65	64					60	59	58	57			55	54	53		
							51	50	49	48		46	45		43		41	40	39		37	36	35						
						73				32	31	30						24	23	22		20							

MX123 52/66/73/80-WAY RECEPTACLE ASSY SEALED PIN OUT SHEET

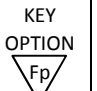
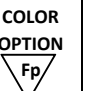
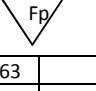
STATUS	GM PART #	HRNS CONN ASSY			TPA	GROMMET CAP																							
		MATERIAL/PART	WIRE DRESS OPTION	KEY OPTION	COLOR OPTION	NUMBERS INDICATE CAVITIES OPEN FOR CIRCUITS																							
		NUMBER		Fp	Fp	Fp																							
SALEABLE	NOT APPLICABLE	34566-2143	0	B	ST GRY	71	70					65					60	59	58	57			54	53					
						51	50	49	48		46	45		43		41	40	39		37	36	35							
						73			32	31	30					24	23	22		20									
SALEABLE	NOT APPLICABLE	34566-2153	0	A	BLACK		70		68	67	66	65						58	57		55								
								49		47			44	43	42	41		39		37									
						73			32		30			27		25	24	23		21	20	19	18						
SALEABLE	NOT APPLICABLE	34566-2163	0	A	BLACK		70			67	66					61			58			55	54						
								49		47		45	44	43	42	41		39		37									
						73			32					27			24			21	20	19	18	17					
SALEABLE	NOT APPLICABLE	34566-2173	0	A	BLACK		70			67	66					61			58			55	54						
								49		47		45	44	43	42	41		39		37									
						73			32		30			27		25	24			21	20	19	18	17					
SALEABLE	NOT APPLICABLE	34566-2183	0	A	BLACK		70			67	66					61			58			55	54						
								49		47		45	44	43	42	41		39		37									
						73			32		30			27		25	24			21	20	19	18	17					
SALEABLE	NOT APPLICABLE	34566-2193	0	A	BLACK		70			67	66	65						58	57		55								
								49		47			44	43	42	41		39		37									
						73			32		30			27		25	24			21	20	19	18	17					
SALEABLE	NOT APPLICABLE	34566-2213	9	H	ST GRY		79	78	77	76	75	74	73	72	71	70	69	68		66	65	64	63		61				
						60	59	58	57	56				53		50								44	43		41		
						40	39	38	37		35	34	33	32		30	29		27	26				24	23	22	21		
SALEABLE	NOT APPLICABLE	34566-2223	0	A	BLACK					69										58		56	55	54	53				
						52	51		49					44	43	42	41							36	35	34	33		
						73			32					28		26									19	18			
SALEABLE	NOT APPLICABLE	34566-2243	0	H	ST GRY		79	78	77	76	75	74	73	72	71	70	69	68		66	65	64	63		61				
						60	59	58	57	56				53	52		50							44	43		41		
						40	39	38	37		35	34	33	32		30	29		27	26				24	23	22	21		
SALEABLE	NOT APPLICABLE	34566-2253	0	A	BLACK					69											58		56	55	54	53			
						52		50	49					44	43	42	41							38	37	36	35	34	33
						73			32	31	30	29	28	27	26		24	23	22	21	20	19	18	17					
SALEABLE	NOT APPLICABLE	34566-2263	0	A	BLACK					69											58		56	55	54	53			
						52	51	50	49					44	43	42	41								36	35	34	33	
						73			32					28		26										19	18		
SALEABLE	NOT APPLICABLE	34566-2273	0	A	BLACK					69											58	57	56	55	54	53			
						52	51	50	49					44	43	42	41							37	36	35	34	33	
						73			32		29	28	27	26												19	18		
SALEABLE	NOT APPLICABLE	34566-2283	0	B	ST GRY					68	67	66	65	64	63														
									49	48		46	45	44	43														
						73			32		30	29	28	27														17	
SALEABLE	NOT APPLICABLE	34566-2293	0	C	BLUE	72		70		68		66			63				59		57				53				
						52	51			48	47	46		44		42		40	39							34	33		
						73					30					26	25			22	21								

MX123 52/66/73/80-WAY RECEPTACLE ASSY SEALED PIN OUT SHEET

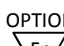
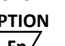

STATUS	GM PART #	HRNS CONN ASSY			TPA	GROMMET CAP																						
		MATERIAL/PART	WIRE DRESS OPTION	KEY OPTION	COLOR OPTION	NUMBERS INDICATE CAVITIES OPEN FOR CIRCUITS																						
		NUMBER																										
SALEABLE	NOT APPLICABLE	34566-2473	0	A	BLACK			70		68	67	66	65							58	57		55					
									49			47				44	43	42	41		39			37		35		
						73					32		30			27		25	24				21	20	19	18	17	
SALEABLE	NOT APPLICABLE	34566-2483	0	A	BLACK				69							63	62	61			58	57	56	55	54	53		
						52	51		49					44	43	42	41				37	36	35	34	33			
						73					32		29	28	27	26			23						19	18		
SALEABLE	NOT APPLICABLE	34566-2493 SAME AS P/N 34566-3863	0	B	ST GRY	72	71	70		68	67	66					62	61	60	59	58	57	56	55	54	53		
						52	51	50		48	47	46					42	41	40	39	38	37	36	35	34	33		
						73					32	31	30	29	28	27	26	25	24									2
SALEABLE	NOT APPLICABLE	34566-2513	0	C	BLUE	72		70		68	67	66				63	62			59		57			53			
						52	51			48	47	46		44		42		40	39							34	33	
						73					32		30			27	26	25				22	21	20				
SALEABLE	NOT APPLICABLE	34566-2523	0	A	BLACK	72	71	70	69	68	67	66	65	64	63	62		60	59					55	54	53		
						52			49	48			45	44	43	42	41	40	39						35	34	33	
						73					32		29	28	27		25	24	23							19	18	17
SALEABLE	NOT APPLICABLE	34566-2533	0	B	ST GRY						67	66	65			63				59	58	57	56	55	54	53		
								50	49	48		46	45		43					39	38	37	36	35	34	33		
						73							29	27					23	22	21						18	
SALEABLE	NOT APPLICABLE	34566-2543	0	C	BLUE	72		70				66			63				59		57				53			
						52	51					46		44		42		40	39							34	33	
						73					32		30			27	26	25				22	21					
SALEABLE	NOT APPLICABLE	34566-2553	9	B	ST GRY	72	71	70		68	67	66				62	61	60	59	58	57	56	55	54	53			
						52	51	50		48	47	46					42	41	40	39	38	37	36	35	34	33		
						73					32	31	30	29	28	27	26	25	24	23								
SALEABLE	NOT APPLICABLE	34566-2563	9	A	BLACK				69							63	62	61			58	57	56	55	54	53		
						52	51	50	49					44	43	42	41						37	36	35	34	33	
						73					32		29	28	27	26										19	18	
SALEABLE	NOT APPLICABLE	34566-2573	9	C	BLUE						67	66			63	62			59		57				53			
						52	51					46		44		42		40	39							34	33	
						73							30			26	25					22	21	20				
SALEABLE	NOT APPLICABLE	34566-2583	0	A	BLACK				69							63				58		56	55	54	53			
						52	51	50	49					44	43	42	41		39					36	35	34	33	
						73					32			28		26										19	18	
SALEABLE	NOT APPLICABLE	34566-2593	0	C	BLUE	72		70				66			63	62			59		57				53			
						52	51					46		44		42		40	39							34	33	
						73					32		30			27	26	25				22	21					
SALEABLE	NOT APPLICABLE	34566-2613	9	C	BLUE	72		70			67	66			63	62			59		57				53			
						52	51					46		44		42		40	39							34	33	
						73							30			27	26	25				22	21	20				
SALEABLE	NOT APPLICABLE	34566-2623	0	A	BLACK		71		69	68	67		65	64	63		61		59		57	56						
								50	49								41				38	37	36			34	33	
						73					32	31	30	29	28	27			24	23					20	19	18	
SALEABLE	NOT APPLICABLE	34566-2633	0	A	BLACK				69	68	67		65	64			61		59		57	56						
								50	49									41				38	37	36			33	
						73					32	31	30	29	28	27			24	23					20	19	18	



MX123 52/66/73/80-WAY RECEPTACLE ASSY SEALED PIN OUT SHEET

STATUS	GM PART #	HRNS CONN ASSY			TPA	GROMMET CAP																						
		MATERIAL/PART	WIRE DRESS OPTION	KEY OPTION 		COLOR OPTION 	NUMBERS INDICATE CAVITIES OPEN FOR CIRCUITS																					
		NUMBER																										
SALEABLE	NOT APPLICABLE	34566-2643	0	A	BLACK		71		69	68	67		65	64	63		61		59		57	56		34	33			
								50	49		47						41		39	38	37	36		20	19	18		
						73			32	31	30	29	28	27			24	23	22		20	19	18					
SALEABLE	NOT APPLICABLE	34566-2653	0	A	BLACK		71		69	68	67		65	64		61		59		57	56				33			
								50	49		47					41		39	38	37	36		20	19	18			
						73			32	31	30	29	28	27			24	23	22		20	19	18					
SALEABLE	NOT APPLICABLE	34566-2663	0	H	ST GRN		79	78	77	76	75	74	73	72	71	70	69	68		66	65	64	63		61			
						60	59	58	57	56			53			50								44	43		41	
						40	39	38	37		35	34			32		30	29		27	26					22	21	
SALEABLE	NOT APPLICABLE	34566-2673	0	H	ST GRN		79	78	77	76	75	74	73	72	71	70	69	68		66	65	64	63		61			
						60	59	58	57	56			53	52		50									44	43		41
						40	39	38	37		35	34			32		30	29		27	26					22	21	
SALEABLE	NOT APPLICABLE	34566-2683	0	H	ST GRN			78					72	71	70	69	68	67	66	65	64	63		61				
						60	59	58	57	56			53	52	51	50		48	47				44	43		41		
						40	39	38	37		35	34			32		30	29		27	26					22	21	
SALEABLE	NOT APPLICABLE	34566-2693	0	B	ST GRN		71	70		68		66	65			60	59	58	57						54	53		
							51	50	49	48		46	45		43	42	41	40	39	38	37	36	35				33	
						73			32	31	30					24	23	22		20								
SALEABLE	NOT APPLICABLE	34566-2713	0	A	BLACK	52			69	68			65	64	63		61	60	59	58	56		34	33				
								50	49		47					41		38	37	36		20	19	18	17			
						73			32	31	30	29	28	27			25	24	23		20	19	18	17				
SALEABLE	NOT APPLICABLE	34566-2723	0	B	ST GRN		71	70		68		66	65	64	63		60	59	58	57	56	55	54	53				
							51	50	49	48		46	45		43	42	41	40	39	38	37	36	35			33		
						73			32	31	30					24	23	22		20	19							
SALEABLE	NOT APPLICABLE	34566-2733	0	A	BLACK			70		68	67	66	65					58	57									
									49		47			44	43	42	41		39		37							
						73			32		30			27		25	24	23		21	20	19	18	17				
SALEABLE	NOT APPLICABLE	34566-2743	0	C	BLUE	72		70			67	66			63	62	61		59		57				53			
						52	51					46		44		42		40	39								34	33
						73			32		30				26	25			22	21	20							
SALEABLE	NOT APPLICABLE	34566-2753	0	A	BLACK										63	62	61		58	57	56	55	54	53				
						52	51		49					44	43	42	41										33	
						73			32		29	28	27	26												19	18	
SALEABLE	NOT APPLICABLE	34566-2763	0	B	ST GRN	72	71	70		68	67	66				62	61	60	59	58	57	56	55	54	53			
						52	51	50		48	47	46				42	41	40	39	38	37	36	35	34	33			
						73			32	31	30	29	28	27	26	25	24											
SALEABLE	NOT APPLICABLE	34566-2773	0	H	ST GRN										53									61				
														32														
						20										9					5						1	
SALEABLE	NOT APPLICABLE	34566-2783	9	H	ST GRN										53									61				
														32														
						20										9					5						1	
SALEABLE	NOT APPLICABLE	34566-2793	9	A	BLACK					67	66																	
										48	47					41												
						73			32	31	30	29		27		25			22	21		19	18	17				

MX123 52/66/73/80-WAY RECEPTACLE ASSY SEALED PIN OUT SHEET




STATUS	GM PART #	HRNS CONN ASSY			TPA	GROMMET CAP																						
		MATERIAL/PART	WIRE DRESS OPTION	KEY OPTION 	COLOR OPTION 	NUMBERS INDICATE CAVITIES OPEN FOR CIRCUITS 																						
		NUMBER																										
SALEABLE	NOT APPLICABLE	34566-2813	9	B	ST GR	72	71	70	69	68	67	66	65	64		62	61	60	59	58	57	56	55	54				
						52	51	50	49	48		46		44			40					37	36					
						73				32	31	30	29	28	27		25	24					21	20			18	
SALEABLE	NOT APPLICABLE	34566-2823	0	A	BLACK						67	66																
											47					41												
						73				32	31	30	29	27		25			22	21		19	18	17				
SALEABLE	NOT APPLICABLE	34566-2833	0	B	ST GR	72	71	70	69	68	67	66	65			61	60			57	56	55	54					
						52	51	50	49	48		46		44			40					37	36					
						73				32	31	30	29	28	27		24				21	20	19	18	17			
SALEABLE	NOT APPLICABLE	34566-2843	0	A	BLACK						67	66																
											47					41												
						73				32	31	30	29	27		25			22	21		19	18	17				
SALEABLE	NOT APPLICABLE	34566-2853	0	B	ST GR	72	71	70	69	68	67	66	65	64	63		61	60			57	56	55	54				
						52	51	50	49	48		46		44			40					37	36					
						73				32	31	30	29	28	27		24				21	20	19	18	17			
SALEABLE	NOT APPLICABLE	34566-2863	0	A	BLACK	72	71	70	69	68	67	66		64	63	62		60	59					55	54	53		
						52			49	48		46		44	43	42		40	39						35	34	33	
						73				32			29	28	27		24	23								19	18	17
SALEABLE	NOT APPLICABLE	34566-2873	0	B	ST GR	72	71	70	69	68	67	66							59	58	57	56	55		53			
						52	51	50	49	48	47									39	38	37	36	35		33		
						73														23	22	21						
SALEABLE	NOT APPLICABLE	34566-2883	0	A	BLACK			70	69						63	62	61			58	57	56	55	54	53			
						52	51		49					44	43	42	41					37	36			34		
						73				32			29	28	27	26										19	18	
SALEABLE	NOT APPLICABLE	34566-2893	0	A	BLACK	72			69		67		65		63		60			57	56				53			
									49		47	46		44	43		40				37	36	35				33	
						73					31	30	29	28			24				21	20						17
SALEABLE	NOT APPLICABLE	34566-2913	0	B	ST GR					68	67			64					58									
						73				32		30	29	28	27							22						17
SALEABLE	NOT APPLICABLE	34566-2923	0	B	ST GR					68	67			64														
						73				32		30	29	28	27													17
SALEABLE	NOT APPLICABLE	34566-2933	0	A	BLACK	72			69		67		65		63		60			57	56				53			
									49		47		44	43		40					37	36	35				33	
						73					31	30	29	28			24				21	20						17
SALEABLE	NOT APPLICABLE	34566-2943	0	B	ST GR					68	67			64	63			59	57									
						73				32		30	29	28	27													
SALEABLE	NOT APPLICABLE	34566-2953	0	B	ST GR					68	67			64	63			59										
						73				32		30	29	28	27													34
SALEABLE	NOT APPLICABLE	34566-2963	0	H	ST GR		79						74	73	72	71		69	68	67				64		62	61	
							59						54	53	52			49	48	47							42	41
								38							33				29	27		25						
							15	14					11	10	9	8	7											



MX123 52/66/73/80-WAY RECEPTACLE ASSY SEALED PIN OUT SHEET

STATUS	GM PART #	HRNS CONN ASSY			TPA	GROMMET CAP																							
		MATERIAL/PART	WIRE DRESS OPTION	KEY OPTION ∇ Fp	COLOR OPTION ∇ Fp	NUMBERS INDICATE CAVITIES OPEN FOR CIRCUITS																							
		NUMBER																											
SALEABLE	NOT APPLICABLE	34566-2973	0	G	BLUE	80		78	77		75	74	73	72		70	69		67		65	64	63	62					
						60		58	57		55	54		52	51	50	49		47		45								
						40		38	37					33	32	31				27	26	25	24						
						20		18	17									10	9	8		6	5		3	2	1		
SALEABLE	NOT APPLICABLE	34566-9913	0	A	BLACK	72	71			68	67	66	65	64					59										
								50		48	47	46	45					40	39	38									
												31	30						25	24		22	21	20			17		
						73							14						9		7	6	5	4			2	1	
SALEABLE	NOT APPLICABLE	34566-9923	0	A	BLACK	72	71				67	66				62	61	60			57		55	54					
							51			48		46	45	44	43	42		39					35			33			
						73												26	25	24									
														15	14							8	7	6	5	4	3	2	
SALEABLE	NOT APPLICABLE	34566-9933	0	B	ST GRAY				69						65	64	63												
									49					45	44	43													
						73																	22	21	20	19	18	17	
																	12	11					6	5	4	3	2	1	
SALEABLE	NOT APPLICABLE	34566-9943	0	C	BLUE		71		69					65	64			61	60		58		56	55	54				
								50	49			45		43		41						37	36	35					
						73							31		29	28				24	23					19	18	17	
													16			13	12	11			8	7					3	2	1
SALEABLE	NOT APPLICABLE	34566-9953	0	A	BLACK					67						62		60			57		55						
							51			48		46	45	44	43			39							35				
						73													25										
													15	14								7	6	5	4	3	2		
SALEABLE	NOT APPLICABLE	34566-9963	0	B	ST GRAY					68	67				64	63					58			55					
												46	45		43							38			35				
						73				32		30	29	28	27								22				19	17	
													15		13			10											1
SALEABLE	NOT APPLICABLE	34566-9973	0	B	ST GRAY					68	67				64	63					58								
												46	45		43							38							
						73				32		30	29	28	27								22					17	
													15		13			10											
SALEABLE	NOT APPLICABLE	34566-2983	9	A	BLACK			70	69						63	62	61				58	57	56	55	54	53			
						52	51		49					44	43	42	41							37	36		34		
						73				32			29	28	27	26											19	18	17
												16	15		13	12	11	10									3	2	1
SALEABLE	NOT APPLICABLE	34566-2993	9	B	ST GRAY	72	71	70		68	67	66				62	61	60	59	58	57	56	55	54	53				
						52	51	50		48	47	46				42	41	40	39	38	37	36	35	34	33				
						73				32	31	30	29	28	27	26	25	24											
												16	15	14	13			10	9	8									
SALEABLE	NOT APPLICABLE	34566-3013	9	C	BLUE	72	71	70	69	68	67	66			63	62			59			57	56	55		53			
						52	51					46		44		42		40	39	38						34	33		
						73				32		30				26	25				22	21	20				19	18	
												15	14					10	9					6	5	4	3		
SALEABLE	NOT APPLICABLE	34566-3023	0	G	BLUE		79			76						71			68		66				61				
							59			56			53						48		46			44	43	42	41		
							39			36	35	34				30	29	28								23	22	21	
							19			16	15	14	13	12	11					7						4			
SALEABLE	NOT APPLICABLE	34566-3033	0	H	ST GRAY	80		78	77	76	75					70					66	65		63					
						60		58	57	56	55				51	50					46	45	44	43					
						40	39		37	36	35	34			32	31	30		28		26			24	23	22			
						20	19	18	17	16					13	12								6	5	4	3	2	1
SALEABLE	NOT APPLICABLE	34566-3043	0	C	BLUE	72		70		68		66			63	62			59			57			53				
						52	51			48	47	46		44		42		40	39							34	33		
						73				32		30				27	26	25				22	21	20					
												15	14	13				10	9					6	5	4			
SALEABLE	NOT APPLICABLE	34566-3053	0	C	BLUE	72		70		68		66			63	62			59			57			53				
						52	51			48	47	46		44		42		40	39	38						34	33		
						73				32		30				27	26	25				22	21	20					
												15	14	13				10	9					6	5	4			

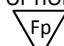
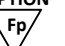

MX123 52/66/73/80-WAY RECEPTACLE ASSY SEALED PIN OUT SHEET

STATUS	GM PART #	HRNS CONN ASSY			TPA	GROMMET CAP																												
		MATERIAL/PART	WIRE DRESS OPTION	KEY OPTION 	COLOR OPTION 	NUMBERS INDICATE CAVITIES OPEN FOR CIRCUITS 																												
		NUMBER																																
SALEABLE	NOT APPLICABLE	34566-3063	0	A	BLACK		71		69					65	64	63			60		58	57	56	55	54	53								
						52	51		49				45	44	43	42	41									37	36	35	34	33				
						73				32		30		28		26													19	18				
SALEABLE	NOT APPLICABLE	34566-3073	0	A	BLACK		71		69					65	64	63			60		57	56	55	54	53									
						52	51		49				45	44	43	42	41											37	36	35	34	33		
						73				32		30		28		26								23						19	18			
SALEABLE	NOT APPLICABLE	34566-3083	0	A	BLACK		71		69					65	64	63			60		58	57	56	55	54	53								
						52	51		49				45	44	43	42	41												37	36	35	34	33	
						73				32		30		28		26														19	18			
SALEABLE	NOT APPLICABLE	34566-3093	0	A	BLACK		71		69					65	64	63			60		57	56	55	54	53									
						52	51		49				45	44	43	42	41												37	36	35	34	33	
						73				32		30		28		26														19	18			
SALEABLE	NOT APPLICABLE	34566-3113	0	A	BLACK		71		69					65	64	63			60		57	56	55	54	53									
						52	51		49				45	44	43	42	41													37	36	35	34	33
						73				32		30		28		26								23							19	18		
SALEABLE	NOT APPLICABLE	34566-3123	0	B	ST GRN	72		70		68		66						60	59							55	54	53						
						52		50		48		46						40	39											35	34	33		
						73				32	31	30	29	28	27	26	25	24																
SALEABLE	NOT APPLICABLE	34566-3133	0	C	BLUE	72		70		68	67	66			63	62		59		57								55	54	53				
						52	51			48	47	46		44		42		40	39												34	33		
						73				32		30				26	25							22	21	20								
SALEABLE	NOT APPLICABLE	34566-3143	0	C	BLUE	72		70				66			63	62		59		57									55	54	53			
						52	51					46		44		42		40	39												34	33		
						73				32		30				26	25							22	21									
SALEABLE	NOT APPLICABLE	34566-3153	0	A	BLACK			70	69							63			58				56			54								
						52	51		49				47			44	43	42	41									36		34				
						73				32					28		26												19	18				
SALEABLE	NOT APPLICABLE	34566-3163	0	C	BLUE	72		70							63	62		59		57	56	55						53						
						52	51					46		44		42		40	39											34	33			
						73				32		30				26	25						22	21						19	18			
SALEABLE	NOT APPLICABLE	34566-3173	0	A	BLACK			70	69							63			58				56			54								
						52	51		49				47			44	43	42	41									36		34				
						73				32					28		26												19	18	17			
SALEABLE	NOT APPLICABLE	34566-3183	0	C	BLUE	72		70				66			63	62		59		57	56	55						53						
						52	51					46		44		42		40	39											34	33			
						73				32		30				26	25						22	21										
SALEABLE	NOT APPLICABLE	34566-3193	0	A	BLACK				69							63			58				56	55	54	53								
						52	51		49						44	43	42	41										36	35	34	33			
						73				32					28		26												19	18	17			
SALEABLE	NOT APPLICABLE	34566-3213	0	C	BLUE	72		70			67	66			63	62		59									53							
						52	51					46		44		42		40												34	33			
						73				32		30				26	25						22	21										
SALEABLE	NOT APPLICABLE	34566-3223	0	C	BLUE	72		70			67	66			63	62		59									53							
						52	51					46		44		42		40	39											34	33			
						73				32		30			27	26	25					22	21											

MX123 52/66/73/80-WAY RECEPTACLE ASSY SEALED PIN OUT SHEET

STATUS	GM PART #	HRNS CONN ASSY			TPA	GROMMET CAP																								
		MATERIAL/PART	WIRE DRESS OPTION	KEY OPTION	COLOR OPTION	NUMBERS INDICATE CAVITIES OPEN FOR CIRCUITS																								
		NUMBER																												
SALEABLE	NOT APPLICABLE	34566-3233	0	A	BLACK	70	69								63	62	61					58	57	56	55	54	53			
						52	51		49					44	43	42	41											19	18	
						73				32			29	28	27	26													3	
SALEABLE	NOT APPLICABLE	34566-3243	0	C	BLUE	72		70						66						59		57					53			
						52	51					46		44		42		40	39									34	33	
						73				32			30			26	25			22	21									
SALEABLE	NOT APPLICABLE	34566-3253	0	A	BLACK	70	69								63						58		56	55	54	53				
						52	51		49					44	43	42	41										36	34		
						73				32			28		26													19	18	
SALEABLE	NOT APPLICABLE	34566-3263	0	C	BLUE	72		70						66						59		57		56	55	54	53			
						52	51					46		44		42		40	39									34	33	
						73				32			30			26	25			22	21							19	18	
SALEABLE	NOT APPLICABLE	34566-3273	0	A	BLACK	70	69								63						58		56	55	54	53				
						52	51		49					44	43	42	41										36	34		
						73				32			28		26													19	18	
SALEABLE	NOT APPLICABLE	34566-3283	0	C	BLUE	72		70						67	66					59		57					53			
						52	51					46		44		42		40	39									34	33	
						73				32			30			26	25			22	21									
SALEABLE	NOT APPLICABLE	34566-3293	0	B	ST GRAY	72	71	70		68	67	66						63	62			59		57		56	55	54	53	
						52	51	50		48	47								42	41	40	39	38	37	36	35	34	33		
						73				32	31	30	29	28	27	26	25	24	23											
SALEABLE	NOT APPLICABLE	34566-3313	0	C	BLUE	72		70								63	62					58		56	55	54	53			
						52	51					46		44		42		40	39									34	33	
						73				32			30			26	25			22	21									
SALEABLE	NOT APPLICABLE	34566-3323	0	B	ST GRAY					68	67	66	65	64	63						58				55					
									49	48		46	45	44	43								38							
						73				32			30	29	28	27					22								17	
SALEABLE	NOT APPLICABLE	34566-3333	0	A	BLACK	72	71	70	69	68									61		59	58	57	56		54				
						52	51	50	49		47								42	41			38	37	36		34	33		
						73				32	31	30	29	28	27	26		24	23							20	19	18	17	
SALEABLE	NOT APPLICABLE	34566-3343	0	A	BLACK	72			69		67	66	65		63				60					57	56		53			
									49		47			44	43	42		40							37	36	35		33	
						73				32			30	29	28		26		24							21	20			17
SALEABLE	NOT APPLICABLE	34566-3353	0	B	ST GRAY					68	67									59	58					54				
												46	45									39	38							
						73				32			30	29	28	27					23	22							17	
SALEABLE	NOT APPLICABLE	34566-3363	0	A	BLACK		71		69	68									61		59		57	56		54				
						52		50	49		47							42	41	40	39	38	37	36		34	33			
						73				32	31	30	29	28	27	26		24	23	22						20	19	18		
SALEABLE	NOT APPLICABLE	34566-3373	9	C	BLUE	72		70		68	67	66			63	62				59		57	56	55		53				
						52	51			48	47	46		44		42		40	39	38							34	33		
						73				32			30			26	25			22	21						19	18		
SALEABLE	NOT APPLICABLE	34566-3383	0	A	BLACK			70	69	68										59	58	57	56		54					
						52		50	49	48	47							42	41					38	37	36		34	33	
						73				32	31	30	29	28	27	26		24	23							20	19	18		

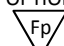
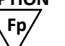

MX123 52/66/73/80-WAY RECEPTACLE ASSY SEALED PIN OUT SHEET

STATUS	GM PART #	HRNS CONN ASSY			TPA	GROMMET CAP																						
		MATERIAL/PART	WIRE DRESS OPTION	KEY OPTION 	COLOR OPTION 	NUMBERS INDICATE CAVITIES OPEN FOR CIRCUITS 																						
		NUMBER																										
SALEABLE	NOT APPLICABLE	34566-3393	0	C	BLUE	72		70		68	67	66			63	62			59		57					53		
						52	51			48	47	46			44			40	39								34	33
						73					32		30				26	25			22	21						
SALEABLE	NOT APPLICABLE	34566-3413	0	A	BLACK	72		70			67	66	65				61			58	57			55	54			
								50	49		47		45	44	43	42	41		39			37			35			
						73					32		30			27	26	25	24			21	20	19	18	17		
SALEABLE	NOT APPLICABLE	34566-3423	9	C	BLUE				69						63					58			56	55	54	53		
						52	51		49					44	43	42	41								36	35	34	33
						73					32				28		26									19	18	17
SALEABLE	NOT APPLICABLE	34566-3433	9	C	BLUE										63	62			59		57	56	55	54	53			
						52	51					46		44		42		40	39								34	33
						73							30				26	25			22	21						
SALEABLE	NOT APPLICABLE	34566-3443	0	A	BLACK		71		69				65	64	63			60			57	56	55	54	53			
						52	51		49				45	44	43	42	41					37	36	35	34	33		
						73					32		30			28		26			23					19	18	
SALEABLE	NOT APPLICABLE	34566-3453	0	A	BLACK																							
						73																				20		
SALEABLE	NOT APPLICABLE	34566-3463	9	H	ST GRAY																							
						73																						
SALEABLE	NOT APPLICABLE	34566-3473	9	B	ST GRAY	20																						
						72	71	70	69	68	67	66	65	64		62	61	60	59	58	57	56	55	54				
						52	51	50	49			46		44				40		38	37	36						
SALEABLE	NOT APPLICABLE	34566-3483	0	B	ST GRAY																							
						72	71	70	69	68	67	66	65				61	60			57	56	55	54				
						52	51	50	49	48		46		44				40		38	37	36						
SALEABLE	NOT APPLICABLE	34566-3493	0	A	BLACK																							
						72		70			67	66	65				61			58	57			55	54			
						73					32		30			27	26	25	24			21	20	19	18	17		
SALEABLE	NOT APPLICABLE	34566-3513	0	A	BLACK			70	69						63	62	61	60			58	57	56	55	54	53		
						52	51		49					44	43	42	41					37	36			34		
						73					32			29	28	27	26									19	18	
SALEABLE	NOT APPLICABLE	34566-3523	0	A	BLACK	72		70					66			63	62						56	55	54			
						52			49					43	42									36	35	34		
						73							31		28		26					21	20	19	18			
SALEABLE	NOT APPLICABLE	34566-3533	9	A	BLACK				69						63					58			56	55	54	53		
						52	51		49					44	43	42	41							36	35	34	33	
						73					32			28		26										19	18	17
SALEABLE	NOT APPLICABLE	34566-3543	9	A	BLACK																							
						72		70						66			63	62			59		57	56	55		53	
						52	51					46		44		42		40	39								34	33
SALEABLE	NOT APPLICABLE	34566-3553	9	C	BLUE																							
						72	71	70	69	68	67	66	65		63	62	61		59	58	57	56	55	54				
							51	50	49	48		46	45	44	43	42	41	40	39	38			36	35	34	33		
73							31	30	29	28	27	26	25		22		20	19	18	17								

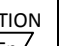
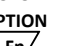

MX123 52/66/73/80-WAY RECEPTACLE ASSY SEALED PIN OUT SHEET

STATUS	GM PART #	HRNS CONN ASSY			TPA	GROMMET CAP																								
		MATERIAL/PART	WIRE DRESS OPTION	KEY OPTION	COLOR OPTION	NUMBERS INDICATE CAVITIES OPEN FOR CIRCUITS																								
		NUMBER		▽ Fp	▽ Fp	▽ Fp																								
SALEABLE	NOT APPLICABLE	34566-3563	9	C	BLUE	72		70		68	67	66			63	62			59		57				53					
						52	51			48	47	46			44		42		40	39	38					34	33			
						73				32		30			27	26	25			22	21									
SALEABLE	NOT APPLICABLE	34566-3573	9	C	BLUE			70	69	68					63	62	61			58	57	56	55	54	53					
						52	51	50	49	48	47			44	43	42	41				37	36				34				
						73				32				29	28	27	26										19	18		
SALEABLE	NOT APPLICABLE	34566-3583	9	A	BLACK			70	69						63	62	61			58	57	56	55	54	53					
						52	51	50	49					44	43	42	41									34				
						73				32				29	28	27	26										19	18		
SALEABLE	NOT APPLICABLE	34566-3593	0	A	BLACK		71		69					64	63			60		58	57	56	55	54	53					
						52	51		49				45	44	43	42	41								37	36	35	34	33	
						73				32		30			28		26											19	18	
SALEABLE	NOT APPLICABLE	34566-3613	0	B	ST GRY					68	67			64	63					59										
												46	45		43															
						73				32		30	29	28	27															
SALEABLE	NOT APPLICABLE	34566-3623	0	A	BLACK			70	69						63	62	61	60	59	58	57	56	55	54	53					
						52	51		49					44	43	42	41									37	36		34	
						73				32				29	28	27	26												19	18
SALEABLE	NOT APPLICABLE	34566-3633	0	C	BLUE			70		68	67	66			63	62			59		57					53				
						52	51			48	47	46			44			40	39	38	37	36					34	33		
						73				32		30				26	25	24	23	22	21									
SALEABLE	NOT APPLICABLE	34566-3643	0	B	ST GRY		71	70		68	67	66		64	63					59						53				
						52	51	50		48	47	46															34	33		
						73				32	31	30	29	28	27	26	25	24											17	
SALEABLE	NOT APPLICABLE	34566-3653	0	B	ST GRY					68		66	65	64	63					59						53				
						52	51	50	49	48	47	46	45	44	43												34	33		
						73				32		30	29	28	27	26	25	24											17	
SALEABLE	NOT APPLICABLE	34566-3663	0	A	BLACK			70	69						63	62	61	60	59	58	57	56	55	54	53					
						52	51		49					44	43	42	41									37	36		34	
						73				32				29	28	27	26											19	18	
SALEABLE	NOT APPLICABLE	34566-3673	9	C	BLUE		71	70	69	68	67		65		63	62	61			59	58	57	56	55	54	53				
							51	50	49	48			45	44	43	42	41	40	39	38							36	35	34	33
						73				32		30	29	28	27	26												20	19	18
SALEABLE	NOT APPLICABLE	34566-3683	9	H	ST GRY																					61				
						73				32																				
SALEABLE	NOT APPLICABLE	34566-3693	0	C	BLUE			70		68	67	66			63	62			59		57					53				
						52	51			48	47	46			44		42		40	39	38						34	33		
						73				32		30			27	26	25													
SALEABLE	NOT APPLICABLE	34566-3713	0	C	BLUE			70		68	67	66			63	62			59		57					53				
						52	51			48	47	46			44		42		40	39							34	33		
						73				32		30			27	26	25													
SALEABLE	NOT APPLICABLE	34566-3723	0	A	BLACK			70	69						63	62	61			58	57	56	55	54	53					
						52	51	50	49					44	43	42	41										34			
						73				32				29	28	27	26											19	18	

MX123 52/66/73/80-WAY RECEPTACLE ASSY SEALED PIN OUT SHEET

STATUS	GM PART #	HRNS CONN ASSY			TPA	GROMMET CAP																					
		MATERIAL/PART	WIRE DRESS OPTION	KEY OPTION 	COLOR OPTION 	NUMBERS INDICATE CAVITIES OPEN FOR CIRCUITS 																					
		NUMBER																									
SALEABLE	NOT APPLICABLE	34566-3733	0	B	ST GRY	72	71	70		68	67	66				62	61	60	59	58	57	56	55	54	53		
						52	51	50		48	47	46				42	41	40	39	38	37	36	35	34	33		
						73				32	31	30	29	28	27	26	25	24	23								
SALEABLE	NOT APPLICABLE	34566-3743	0	C	BLUE	72		70		68		66			63	62		59		57				53			
						52	51			48	47	46		44		42		40	39	38					34	33	
						73				32		30			27	26	25			22	21						
SALEABLE	NOT APPLICABLE	34566-3753	0	C	BLUE	72		70		68		66			63	62		59		57				53			
						52	51			48	47	46		44		42		40	39						34	33	
						73				32		30			27	26	25			22	21						
SALEABLE	NOT APPLICABLE	34566-3763	0	C	BLUE	72		70		68		66			63	62		59		57				53			
						52	51			48	47	46		44		42		40	39						34	33	
						73				32		30			27	26	25			22	21						
SALEABLE	NOT APPLICABLE	34566-3773	0	A	BLACK			70	69						63				58		56	55	54	53			
						52	51	50	49					44	43	42	41		39				36		34		
						73				32				28		26								19	18		
SALEABLE	NOT APPLICABLE	34566-3783	0	A	BLACK			70	69						63				58		56	55	54	53			
						52	51	50	49					44	43	42	41		39				36		34		
						73				32				28		26								19	18	17	
SALEABLE	NOT APPLICABLE	34566-3793	0	A	BLACK		71	70							64	63		60		58	57	56	55	54	53		
						52	51		49				45	44	43	42	41				58	57	56	55	54	53	
						73				32		30		28		26			23		21		19	18			
SALEABLE	NOT APPLICABLE	34566-3813	0	C	BLUE	72		70		68		66			63	62		59		57				53			
						52	51			48	47	46		44		42		40	39	38	37	36			34	33	
						73				32		30			26	25	24			22	21	20					
SALEABLE	NOT APPLICABLE	34566-3823	0	A	BLACK			70	69						63				58	57	56	55	54	53			
						52	51		49					44	43		41					37	36		34		
						73				32				27	26									19	18		
SALEABLE	NOT APPLICABLE	34566-3833	0	A	BLACK			70	69						63	62	61				57	56	55	54	53		
						52	51		49				44	43	42	41					57	56	55	54	53		
						73				32			29	28	27	26		23					19	18			
SALEABLE	NOT APPLICABLE	34566-3843	0	A	BLACK	72	71	70	69	68	67	66			64	63	62		60	59				55	54	53	
						52			49	48				44	43	42	41	40	39						35	34	33
						73				32			29	28	27		25	24	23						19	18	17
SALEABLE	NOT APPLICABLE	34566-3853	0	A	BLACK			70	69						63	62	61				57	56	55	54	53		
						52			49	48			45	44	43	42	41	40	39					35	34	33	
						73				32			29	28	27		25	24	23						19	18	17
SALEABLE	NOT APPLICABLE	34566-3863	0	B	ST GRY	72	71	70		68	67	66				62	61	60	59	58	57	56	55	54	53		
						52	51	50		48	47	46				42	41	40	39	38	37	36	35	34	33		
						73				32	31	30	29	28	27	26	25	24									2
SALEABLE	NOT APPLICABLE	34566-3873	0	B	ST GRY										63				59	58	57	56	55				
								50	49	48		46	45		43						39	38	37	36	35	34	
						73															23	22	21			18	
SALEABLE	NOT APPLICABLE	34566-3883	0	B	ST GRY							67	66						59	58	57	56	55				
								50	49	48			45							39	38	37	36	35	34	33	
						73														23	22	21			18		

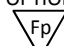
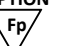

MX123 52/66/73/80-WAY RECEPTACLE ASSY SEALED PIN OUT SHEET

STATUS	GM PART #	HRNS CONN ASSY			TPA	GROMMET CAP																							
		MATERIAL/PART	WIRE DRESS OPTION	KEY OPTION 	COLOR OPTION 	NUMBERS INDICATE CAVITIES OPEN FOR CIRCUITS 																							
		NUMBER																											
SALEABLE	NOT APPLICABLE	34566-3893	0	C	BLUE	72		70		68	67	66		63	62		59		57					53					
						52	51			48	47	46		44		42				22	21					34	33		
						73						32		30		27	26	25											
SALEABLE	NOT APPLICABLE	34566-3913	0	A	BLACK		71	70	69					64	63		60		58	57	56	55	54	53					
						52	51		49				45	44	43	42	41					37	36			34			
						73						32		30		28		26		23							19	18	
SALEABLE	NOT APPLICABLE	34566-3923	0	B	ST GRY	72		70		68		66					60	59					55	54	53				
						52		50		48		46					40	39							35	34	33		
						73						32	31	30	29	28	27	26	25	24	23							19	18
SALEABLE	NOT APPLICABLE	34566-3933	0	A	BLACK		71	70	69					64	63		60		58	57	56	55	54	53					
						52	51		49				45	44	43	42	41								37	36		34	
						73						32		30		28		26										19	18
SALEABLE	NOT APPLICABLE	34566-3943	0	C	BLUE	72		70		68		66					60	59					55	54	53				
						52		50		48		46					40	39							35	34	33		
						73						32	31	30	29	28	27	26	25	24									
SALEABLE	NOT APPLICABLE	34566-3953	0	C	BLUE	72		70		68		66		63	62		59		57						53				
						52	51			48	47	46		44		42		40	39							34	33		
						73						32		30				26	25		23	22	21	20					
SALEABLE	NOT APPLICABLE	34566-3963	0	C	BLUE	72		70		68	67	66		63	62		59		57						53				
						52	51			48	47	46		44		42		40	39	38						34	33		
						73						32		30				26	25		22	21							
SALEABLE	NOT APPLICABLE	34566-3973	0	C	BLUE	72		70		68	67			63	62		59		57						53				
						52	51			48	47	46		44		42		40	39	38						34	33		
						73						32		30				26	25		22	21							
SALEABLE	NOT APPLICABLE	34566-3983	0	A	BLACK		71	70	69					64	63		60	59	58	57	56	55	54	53					
						52	51		49				45	44	43	42	41	40							37	36		34	
						73						32		30		28		26										19	18
SALEABLE	NOT APPLICABLE	34566-3993	0	A	BLACK			70	69					63	62	61	60		58	57	56	55	54	53					
						52	51		49				44	43	42	41	40									37	36		34
						73						32			29	28	27	26										19	18
SALEABLE	NOT APPLICABLE	34566-4013	0	B	ST GRY	72		70		68		66					60	59					55	54	53				
						52		50		48		46					40	39							35	34	33		
						73						32	31	30	29	28	27	26	25	24								17	
SALEABLE	NOT APPLICABLE	34566-4023	0	B	ST GRY	72	71	70		68	67	66				62	61	60	59	58	57	56	55	54	53				
						52	51	50		48	47	46				42	41	40	39	38	37	36	35	34	33				
						73						32	31	30	29	28	27	26	25	24									
SALEABLE	NOT APPLICABLE	34566-4033	0	C	BLUE	72		70		68				63	62		59	58	57					53					
						52	51			48	47		44		42		40	39	38							34	33		
						73						32		30				26	25				22	21	20				
SALEABLE	NOT APPLICABLE	34566-4043	0	A	BLACK		71	70	69		67			64	63		60		57	56	55	54	53						
						52	51		49				45	44	43	42	41								37	36		34	
						73						32		30		28		26		23								19	18
SALEABLE	NOT APPLICABLE	34566-4053	0	A	BLACK	72			69		67	66	65		63		60		57	56					53				
									49			47	46		44	43	42		40		37	36	35				33		
						73						32		30	29	28	27	26		24				21	20			17	
						16	15	14	13		11	10						5	4	3	2	1							

MX123 52/66/73/80-WAY RECEPTACLE ASSY SEALED PIN OUT SHEET

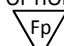
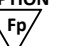

STATUS	GM PART #	HRNS CONN ASSY			TPA	GROMMET CAP																																
		MATERIAL/PART	WIRE DRESS OPTION	KEY OPTION ▽ Fp	COLOR OPTION ▽ Fp	NUMBERS INDICATE CAVITIES OPEN FOR CIRCUITS ▽ Fp																																
		NUMBER																																				
SALEABLE	NOT APPLICABLE	34566-4063	0	B	ST GRY						68	67				64						59	58										54					
SALEABLE	NOT APPLICABLE	34566-4073	0	A	BLACK	72			70						66			63	62			59			57	56	55					34	33					
						52	51																															
SALEABLE	NOT APPLICABLE	34566-4083	0	C	BLUE	72			70		68						63	62			59	58	57									34	33					
						52	51				48	47				44			42		40	39	38	37	36													
SALEABLE	NOT APPLICABLE	34566-4093	0	A	BLACK		71	70	69						67			64	63			60			57	56	55	54	53									
						52	51			49				47		45	44	43	42	41																		
SALEABLE	NOT APPLICABLE	34566-4113	0	B	ST GRY						68	67				64							58															
SALEABLE	NOT APPLICABLE	34566-4123	9	A	BLACK	72				69					67	66	65		63			60			57	56												
SALEABLE	NOT APPLICABLE	34566-4133	9	B	ST GRY						68	67				64							59	58														
SALEABLE	NOT APPLICABLE	34566-4143	0	B	ST GRY						68	67				64								58														
SALEABLE	NOT APPLICABLE	34566-4153	0	B	ST GRY	72				70					68						60	59																
						52																																
SALEABLE	NOT APPLICABLE	34566-4163	0	B	ST GRY	72				70					68							60	59															
						52																																
SALEABLE	NOT APPLICABLE	34566-4173	0	A	BLACK	72	71			70	69							64	63			60	59	58			56	55	54	53								
						52	51					49			47		45	44	43	42	41																	
SALEABLE	NOT APPLICABLE	34566-4183	0	C	BLUE	72				70					68									59	58	57												
						52	51																															
SALEABLE	NOT APPLICABLE	34566-4193	0	C	BLUE		71			69																												
SALEABLE	NOT APPLICABLE	34566-4213	0	A	BLACK	72	71								68	67	66	65	64																			
SALEABLE	NOT APPLICABLE	34566-4223	0	A	BLACK	72	71								68	67	66	65	64																			

MX123 52/66/73/80-WAY RECEPTACLE ASSY SEALED PIN OUT SHEET

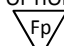
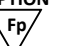

STATUS	GM PART #	HRNS CONN ASSY			TPA	GROMMET CAP																					
		MATERIAL/PART	WIRE DRESS OPTION	KEY OPTION 	COLOR OPTION 	NUMBERS INDICATE CAVITIES OPEN FOR CIRCUITS 																					
		NUMBER																									
SALEABLE	NOT APPLICABLE	34566-4393	0	G	BLUE	60		78	77		75	74		72	70	69		67		65	64	63	62				
						40		38	37				33	32	31				27	26	25	24					
						20		18	17							10	9	8		6	5			3	2	1	
SALEABLE	NOT APPLICABLE	34566-4413	0	B	ST GRAY									63				59	58	57	56	55		53			
								50	49	48		46		43				39	38	37	36	35	34	33			
						73					16	15	14			29	27			23	22	21			18		
SALEABLE	NOT APPLICABLE	34566-4423	9	C	BLUE	72		70		68	67	66		63	62			59		57				53			
						52	51			48	47	46		44	42		40	39	38	37	36			34	33		
						73					32		30			27	26	25	24		22	21					
SALEABLE	NOT APPLICABLE	34566-4433	9	A	BLACK			70	69					63	62	61	60		58	57	56	55	54	53			
						52	51	50	49					44	43	42	41	40				37	36			34	
						73					32			29	28	27	26								19	18	
SALEABLE	NOT APPLICABLE	34566-4443	9	A	BLACK					67	66																
										48	47					41											
						73					32	31	30	29		27	26	25			22	21			19	18	17
SALEABLE	NOT APPLICABLE	34566-4453	0	A	BLACK	72	71	70	69	68			65	64	63	62	61	60	59	58	57	56	55	54	53		
						52	51	50	49	48		46	45	44	43	42		40	39	38	37	36	35	34	33		
						73								28				24	23					20			
SALEABLE	NOT APPLICABLE	34566-4463	9	B	ST GRAY									63													
										48	47		45		43	42		39						35	34	33	
						73											26		23	22					19		
SALEABLE	NOT APPLICABLE	34566-4473	0	B	ST GRAY									64	63	62		59	58								
												47		45		43	42		39					35	34	33	
						73											26	25		23	22						
SALEABLE	NOT APPLICABLE	34566-4483	9	C	BLUE	72		70		68	67	66		63	62			59	58	57	56	55		53			
						52	51		49	48	47	46		44			40	39	38	37	36			34	33		
						73					32		30			27	26	25	24	23	22	21	20	19	18	17	
SALEABLE	NOT APPLICABLE	34566-4493	9	A	BLACK	72	71	70	69		67			64	63	62	61	60	59	58	57	56	55	54	53		
						52	51	50	49	48	47		45	44	43	42	41	40	39	38	37	36			34		
						73					32		30	29	28	27	26		24	23		21			19	18	17
SALEABLE	NOT APPLICABLE	34566-4513	9	B	ST GRAY																						
										68	67					62	61	60	59	58	57	56	55	54	53		
						73					32	31	30	29	28	27	26	25	24	23					19	18	17
SALEABLE	NOT APPLICABLE	34566-4523	0	G	BLUE			78	77		75	74		72		70	69		67		65	64	63	62			
						60		58	57		55	54		52	51	50	49		47		45						
						40		38	37						31					27	26	25	24				
SALEABLE	NOT APPLICABLE	34566-4533	0	A	BLACK																						
										69		67		65		63		60				57	56			53	
						73							31	30	29	28			24			21	20				
SALEABLE	NOT APPLICABLE	34566-4543	0	B	ST GRAY					68	67			64	63				58	57							
												46	45		43									35			
						73					32		30	29	28	27				22	21				19		17
SALEABLE	NOT APPLICABLE	34566-4553	0	B	ST GRAY					68	67			64	63				58	57							
												46	45		43									35			
						73					32		30	29	28	27				22	21						17

STATUS	GM PART #	HRNS CONN ASSY			TPA	GROMMET CAP																								
		MATERIAL/PART	WIRE DRESS OPTION	KEY OPTION ▽ Fp	COLOR OPTION ▽ Fp	NUMBERS INDICATE CAVITIES OPEN FOR CIRCUITS																								
		NUMBER				▽ Fp																								
SALEABLE	NOT APPLICABLE	34566-4563	0	B	ST GRY					68	67				64	63					58					55			53	
													46	45		43							38					35		
											32		30	29	28	27							22					19		17
																	12			10										1
SALEABLE	NOT APPLICABLE	34566-4573	0	B	ST GRY					68	67				64	63							58							53
													46	45		43								38						
											32		30	29	28	27								22						17
																	12			10										
SALEABLE	NOT APPLICABLE	34566-4583	0	B	ST GRY					68	67				64								58							53
													46	45										38						
											32		30	29	28	27								22						17
																	12			10										1
SALEABLE	NOT APPLICABLE	34566-4593	0	B	ST GRY					68	67				64								58							53
													46	45										38						
											32		30	29	28	27								22						17
																	12			10										
SALEABLE	NOT APPLICABLE	34566-4613	0	A	BLACK	72			69			67	66	65		63						60			57	56			53	
									49			47			44	43	42						40			37	36	35		33
											32		31	30	29	28	27	26					24			21	20			17
										16	15	14	13			11	10								5	4	3	2	1	
SALEABLE	NOT APPLICABLE	34566-4623	0	B	ST GRY	72		70		68			66									60	59				55	54	53	
						52		50		48			46									40	39				35	34	33	
										32	31	30	29	28	27	26	25	24	23										17	
										16							10					8	7						2	1
SALEABLE	NOT APPLICABLE	34566-4633	0	A	BLACK		71	70	69						64	63						60	59	58		56	55	54	53	
						52	51		49			47		45	44	43	42	41						38		36		34		
										32		30			28		26								21		19	18		
										16	15				12		10												3	
SALEABLE	NOT APPLICABLE	34566-4643	0	B	ST GRY	72		70		68			66									60	59				55	54	53	
						52		50		48			46									40	39				35	34	33	
										32	31	30	29	28	27	26	25	24	23								19	18	17	
										16							10					8	7						2	1
SALEABLE	NOT APPLICABLE	34566-4653	0	A	BLACK		71	70	69						64	63						60	59			56	55	54	53	
						52	51		49			47		45	44	43	42	41						38		36		34		
										32		30			28		26									19	18			
										16	15				12		10												3	
SALEABLE	NOT APPLICABLE	34566-4663	0	A	BLACK		71	70	69						64	63						60	59	58		56	55	54	53	
						52	51		49			47		45	44	43	42	41						38		36		34		
										32		30			28		26									19	18			
										16	15				12		10												3	
SALEABLE	NOT APPLICABLE	34566-4673	0	A	BLACK							67	66																	
												47											41							
										32	31	30	29		27	26	25							22	21		19	18	17	
										16	15	14	13			10	9	8	7	6	5	4	3						3	
SALEABLE	NOT APPLICABLE	34566-4683	9	B	ST GRY	72	71	70	69	68	67	66	65	64			62	61	60	59	58	57	56	55	54					
						52	51	50	49				46		44			41	40			38	37	36						
										32	31	30	29	28	27		25	24						21	20		18	17		
										16	15	14	13	12		10	9	8	7	6	5	4	3	2						
SALEABLE	NOT APPLICABLE	34566-4693	0	B	ST GRY	72	71	70	69	68	67	66	65				61	60					57	56	55	54				
						52	51	50	49	48		46		44			41	40				38	37	36						
										32	31	30	29	28	27		24							21	20	19	18	17		
										16	15	14	13	12	11	10	9	8	7	6	5	4	3	2						
SALEABLE	NOT APPLICABLE	34566-4713	0	A	BLACK	72	71	70	69						64	63						60	59			56	55	54	53	
						52	51		49			47		45	44	43	42	41							36		34			
										32		30			28		26							23			19	18		
										16	15				12		10												3	
SALEABLE	NOT APPLICABLE	34566-4723	0	A	BLACK	72	71	70	69						64	63						60	59	58		56	55	54	53	
						52	51		49			47		45	44	43	42	41								36		34		
										32		30			28		26										19	18		
										16	15				12		10												3	

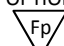
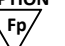

MX123 52/66/73/80-WAY RECEPTACLE ASSY SEALED PIN OUT SHEET

STATUS	GM PART #	HRNS CONN ASSY			TPA	GROMMET CAP																					
		MATERIAL/PART	WIRE DRESS OPTION	KEY OPTION 	COLOR OPTION 	NUMBERS INDICATE CAVITIES OPEN FOR CIRCUITS 																					
		NUMBER																									
SALEABLE	NOT APPLICABLE	34566-4733	0	A	BLACK	72	71	70	69					64	63			60	59	58		56	55	54	53		
						52	51		49		47		45	44	43	42	41						21		19	18	
						73				32		30		28		26							5		3		
SALEABLE	NOT APPLICABLE	34566-4743	9	A	BLACK	72	71	70	69		67		65	64	63	62	61	60	59	58	57	56	55	54	53		
						52	51	50	49	48	47		45	44	43	42	41	40	39		37	36		34			
						73				32		30	29	28	27	26		24	23				5		3	2	1
SALEABLE	NOT APPLICABLE	34566-4753	0	B	ST GRY					68	67			64						58							
												46	45									38					
						73				32		30	29	28	27							22					17
SALEABLE	NOT APPLICABLE	34566-4763	0	B	ST GRY					68	67			64													
												46	45														
						73				32		30	29	28	27							6					17
SALEABLE	NOT APPLICABLE	34566-4773	0	B	ST GRY					68	67			64				59	58					54			
												46	45								39	38					
						73				32		30	29	28	27					23	22						17
SALEABLE	NOT APPLICABLE	34566-4783	0	B	ST GRY					68	67			64	63					58				55			
												46	45		43						38				35		
						73				32		30	29	28	27					22					19		17
SALEABLE	NOT APPLICABLE	34566-4793	0	B	ST GRY					68	67			64	63					58							
												46	45		43						38						
						73				32		30	29	28	27					22							17
SALEABLE	NOT APPLICABLE	34566-4813	9	B	ST GRY					68	67			64				59	58					54			
												46	45								39	38					
						73				32		30	29	28	27					23	22						17
SALEABLE	NOT APPLICABLE	34566-4823	0	C	BLUE					68	67	66	65	64				59	58	57		55	54	53			
							51	50	49	48		46	45		43	42	41	40	39	38	37		35			33	
						73				32	31	30				26		24	23	22			20				
SALEABLE	NOT APPLICABLE	34566-4833	0	C	BLUE	72		70		68	67	66		63	62			59		57					53		
						52	51			48	47	46		44		42		40	39		37	36				34	33
						73				32		30			27	26	25	24			22	21					
SALEABLE	NOT APPLICABLE	34566-4843	0	C	BLUE					68	67	66		63	62			59		57				53			
						52	51			48	47	46		44		42		40	39	38	37	36				34	33
						73				32		30			27	26	25	24			22	21					
SALEABLE	NOT APPLICABLE	34566-4853	0	C	BLUE					68		66		63	62			59		57	56	55		53			
						52	51			48	47	46		44		42		40	39		37	36				34	33
						73				32		30			27	26	25	24			22	21			19	18	
SALEABLE	NOT APPLICABLE	34566-4863	0	C	BLUE					68		66		63	62			59		57				53			
						52	51			48	47	46		44		42		40	39	38	37	36				34	33
						73				32		30			27	26	25	24			22	21					
SALEABLE	NOT APPLICABLE	34566-4873	0	C	BLUE					68		66		63	62			59		57				53			
						52	51			48	47	46		44		42		40	39		37	36				34	33
						73				32		30			27	26	25	24			22	21					
SALEABLE	NOT APPLICABLE	34566-4883	9	A	BLACK	72			69		67		65		63			60			57	56			53		
									49		47	46		44	43			40			37	36	35				33
						73					31	30	29	28				24			21	20					
						16	15	14	13			11	10					5	4	3	2	1					

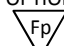
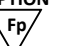

MX123 52/66/73/80-WAY RECEPTACLE ASSY SEALED PIN OUT SHEET

STATUS	GM PART #	HRNS CONN ASSY			TPA	GROMMET CAP																							
		MATERIAL/PART	WIRE DRESS OPTION	KEY OPTION 	COLOR OPTION 	NUMBERS INDICATE CAVITIES OPEN FOR CIRCUITS 																							
		NUMBER																											
SALEABLE	NOT APPLICABLE	34566-4893	9	B	ST GRY					68	67				64	63					58				55				
												46	45			43							38				35		
						73						32		30	29	28	27							22				19	
SALEABLE	NOT APPLICABLE	34566-4913	9	B	ST GRY					68	67				64	63					58	57			55		53		
												46	45			43							38	37			35		
						73						32		30	29	28	27							22	21			19	
SALEABLE	NOT APPLICABLE	34566-4923	9	A	BLACK	72			69		67			65		63			60			57	56			53			
									49		47			44	43			40				37	36	35			33		
						73						31	30	29	28					24			21	20					17
SALEABLE	NOT APPLICABLE	34566-4933	0	C	BLUE	72		70		68	67	66			63	62			60			59		57	56		53		
						52	51			48	47	46			44						40	39			37	36	35	34	33
						73						32		30			27	26	25	24			22	21					
SALEABLE	NOT APPLICABLE	34566-4943	0	A	BLACK			70	69	68	67				63	62	61	60	59	58	57	56	55	54	53				
						52	51	50	49					44	43	42	41			39	38	37	36				34		
						73						32	31		29	28	27	26	25	24			23					19	18
SALEABLE	NOT APPLICABLE	34566-4953	0	B	ST GRY	72	71	70	69	68	67	66	65	64	63					60	59						53		
						52	51	50	49	48	47	46	45	44	43							40	39					34	33
						73						32	31	30	29	28	27	26	25	24	23							19	18
SALEABLE	NOT APPLICABLE	34566-4963	9	A	BLACK	72			69		67	66	65		63	62			60			57	56			53			
									49		47	46			44	43	42			40			37	36	35			33	
						73						31	30	29	28	27	26			24			21	20					17
SALEABLE	NOT APPLICABLE	34566-4973	9	B	ST GRY					68	67				64					59	58				54				
												46	45	44	43							39	38						
						73						32		30	29	28	27					23	22					19	17
SALEABLE	NOT APPLICABLE	34566-4983	0	B	ST GRY			70		68			66					60	59						55	54	53		
						52		50		48		46		44						40	39						35	34	33
						73						32	31	30	29	28	27	26	25	24	23							19	18
SALEABLE	NOT APPLICABLE	34566-4993	0	A	BLACK	72	71	70	69		67			64	63			60	59					56	55	54	53		
						52	51		49		47		45	44	43	42	41								37	36	35	34	33
						73						32		30			28			26								19	18
SALEABLE	NOT APPLICABLE	34566-5013	9	B	ST GRY					68	67				64	63					59	58				54			
												46	45	44	43							39	38				35		
						73						32		30	29	28	27					23	22					19	17
SALEABLE	NOT APPLICABLE	34566-5023	0	C	BLUE	72		70		68	67				63	62			60	59			57			53			
						52	51			48	47	46		44		42		40	39					37	36			34	33
						73						32		30				26	25	24			22	21	20				
SALEABLE	NOT APPLICABLE	34566-5033	0	A	BLACK			70	69						63	62	61	60			58	57	56	55	54	53			
						52	51		49					44	43	42	41								37	36	35	34	33
						73						32			29	28	27	26	25									19	18
SALEABLE	NOT APPLICABLE	34566-5043	0	A	BLACK																								
						73						31																	
SALEABLE	NOT APPLICABLE	34566-5053	0	B	ST GRY																								
						73						47														20			17
																								1					

MX123 52/66/73/80-WAY RECEPTACLE ASSY SEALED PIN OUT SHEET

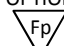
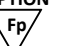

STATUS	GM PART #	HRNS CONN ASSY			TPA	GROMMET CAP																					
		MATERIAL/PART	WIRE DRESS OPTION	KEY OPTION 	COLOR OPTION 	NUMBERS INDICATE CAVITIES OPEN FOR CIRCUITS 																					
		NUMBER																									
SALEABLE	NOT APPLICABLE	34566-5063	9	H	ST GRN	80	79	78	77	76	75	74	73	72	71	70	69	68	67	66	65	64	63	62	61		
						60	59	58	57	56	55	54	53	52	51	50	49	48	47	46	45	44	43	42	41		
						40	39	38	37		35	34	33	32		30	29		27	26		24	23	22	21		
						20	19	18	17			14	13	12	11	10	9	8		6	5		3	2			
SALEABLE	NOT APPLICABLE	34566-5073	9	A	BLACK	72	71	70	69	68	67	66	65	64	63	62	61	60	59	58	57	56	55	54	53		
						52	51	50	49	48	47	46	45	44	43	42	41	40	39	38	37	36		34	33		
						73				32	31	30	29	28	27	26	25	24	23	22	21	20	19	18			
						73				16			13	12	11	10	9	8									1
SALEABLE	NOT APPLICABLE	34566-5083	9	A	BLACK			70	69						63	62	61	60		58	57	56	55	54	53		
						52	51		49					44	43	42	41			38	37				34		
						73				32			29	28	27	26			23					19	18		
						73				16	15		13	12	11	10		8							3		
SALEABLE	NOT APPLICABLE	34566-5093	0	B	ST GRN	72	71	70	69	68	67	66	65	64	63	62	61	60	59	58	57	56	55	54	53		
						52	51	50	49	48	47	46	45	44	43	42	41	40	39	38	37	36	35	34	33		
						73							29			27				23	22	21				18	
						73				16	15	14	13					8	7	6	5	4	3				
SALEABLE	NOT APPLICABLE	34566-5113	0	A	BLACK	72	71	70	69	68	67	66		64	63	62		60	59			55	54	53			
						52			49	48				44	43	42	41	40	39				35	34	33		
						73				32			29		27		25	24	23				19	18	17		
						73				16			13	12	11		9	8	7	6	5	4	3	2	1		
SALEABLE	NOT APPLICABLE	34566-5123	9	C	BLUE	72		70		68	67	66			63	62			59		57			53			
						52	51			48	47	46	45	44			40	39	38	37	36			34	33		
						73				32		30			27	26	25	24		22	21	20					
						73					15	14				10	9	8		6	5	4			2		
SALEABLE	NOT APPLICABLE	34566-5133	9	B	ST GRN	72	71	70		68	67	66				62	61	60	59	58	57	56	55	54	53		
						52	51	50		48	47	46				42	41	40	39	38	37	36	35	34	33		
						73				32	31	30	29	28	27	26	25	24	23								
						73				16	15	14	13			10	9	8									
SALEABLE	NOT APPLICABLE	34566-5143	0	C	BLUE	72		70		68	67	66			63	62			59		57			53			
						52	51			48	47	46		44		42		40	39		37	36			34	33	
						73				32		30				26	25	24		22	21	20					
						73					15	14				10	9	8		6	5	4			2		
SALEABLE	NOT APPLICABLE	34566-5153	0	A	BLACK			70	69						63	62	61	60		58	57	56	55	54	53		
						52	51		49		47			44	43	42	41				37	36	35	34	33		
						73				32			29	28	27	26	25						19	18			
						73				16	15		13	12	11	10								3			
SALEABLE	NOT APPLICABLE	34566-5163	9	A	BLACK	72			69		67		65		63			60			57	56			53		
									49		47			44	43			40			37	36	35			33	
						73					31	30	29	28				24			21	20					
						73				16	15	14			11	10				5	4	3	2	1			
SALEABLE	NOT APPLICABLE	34566-5173	9	B	ST GRN					68	67			64	63				59		57						
												46	45		43				39		37						
						73				32		30	29	28	27					21							
						73										10				6	5	4	3				
SALEABLE	NOT APPLICABLE	34566-5183	0	B	ST GRN					68	67			64				59	58					54			
												46	45	44				39	38								
						73				32		30	29	28	27				23	22						17	
						73									12		10		8							1	
SALEABLE	NOT APPLICABLE	34566-5193	0	A	BLACK			70	69						63	62	61	60		58	57	56	55	54	53		
						52	51		49					44	43	42	41				37	36			34		
						73				32			29	28	27	26								19	18	17	
						73				16	15		13	12	11	10								3	2	1	
SALEABLE	NOT APPLICABLE	34566-5213	0	A	BLACK	72	71	70	69	68	67	66	65	64	63	62		60	59			55	54	53			
						52			49	48				44	43	42	41	40	39				35	34	33		
						73				32			29		27		25	24	23				19	18	17		
						73				16			13	12	11		9	8	7	6	5	4	3	2	1		
SALEABLE	NOT APPLICABLE	34566-5223	0	C	BLUE	72		70			67	66			63	62			59		57			53			
						52	51			48		46		44		42		40	39					34	33		
						73				32		30			27	26	25			22	21						
						73					15	14				10	9			6	5	4					

MX123 52/66/73/80-WAY RECEPTACLE ASSY SEALED PIN OUT SHEET

STATUS	GM PART #	HRNS CONN ASSY			TPA	GROMMET CAP																					
		MATERIAL/PART	WIRE DRESS OPTION	KEY OPTION	COLOR OPTION	NUMBERS INDICATE CAVITIES OPEN FOR CIRCUITS																					
		NUMBER																									
SALEABLE	NOT APPLICABLE	34566-5233	0	C	BLUE	72		70		68	67	66			63	62			59		57	56	55		53		
						52	51			48	47	46			44			40	39	38					34	33	
						73					32		30				26	25			22	21		19	18		
SALEABLE	NOT APPLICABLE	34566-5243	0	C	BLUE	72	71	70	69	68	67	66	65		63	62	61		59	58	57	56	55	54	53		
							51	50	49	48		46	45	44	43	42	41	40	39	38			36	35	34	33	
						73					31	30	29	28	27	26	25			22	21	20	19	18	17		
SALEABLE	NOT APPLICABLE	34566-5253	0	B	ST GRAY						67	66			63			59	58	57	56	55		53			
								50	49	48		46	45		43				39	38	37	36	35	34	33		
						73							29		27				23	22	21					18	
SALEABLE	NOT APPLICABLE	34566-5263	0	B	ST GRAY	72	71	70		68	67	66			62	61	60	59	58	57	56	55	54	53			
						52	51	50		48	47	46			42	41	40	39	38	37	36	35	34	33			
						73					32	31	30	29	28	27		25	24								17
SALEABLE	NOT APPLICABLE	34566-5273	0	A	BLACK			70	69						63	62	61	60		58	57	56	55	54	53		
						52	51		49					44	43	42	41			37	36				34		
						73							29	28	27	26	25	24			23					19	18
SALEABLE	NOT APPLICABLE	34566-5283	0	C	BLUE	72		70		68	67	66			63	62			59		57	56	55	54	53		
						52	51			48	47	46			44			40	39							34	33
						73					32		30				26	25			22	21		19	18		
SALEABLE	NOT APPLICABLE	34566-5293	0	A	BLACK			70	69						63	62	61	60		58	57	56	55	54	53		
						52	51		49					44	43	42	41	40			37	36				34	
						73					32		29	28	27	26										19	18
SALEABLE	NOT APPLICABLE	34566-5313	0	C	BLUE	72		70		68	67	66			63	62			59		57	56	55		53		
						52	51			48	47	46			44			40	39	38	37	36				34	33
						73					32		30				26	25	24		22	21		19	18		
SALEABLE	NOT APPLICABLE	34566-5323	0	G	BLUE	80		78	77		75	74	73	72		70	69		67		65	64	63	62			
						60		58	57		55	54		52	51	50	49		47		45						
						40		38	37				33	32	31				27	26	25	24					
SALEABLE	NOT APPLICABLE	34566-5333	0	A	BLACK	72	71	70		68	67	66	65	64	63	62		60	59			56				53	
							51		49	48	47	46	45	44	43		41	40									
						73							30	29	28		26	25	24						20		
SALEABLE	NOT APPLICABLE	34566-5343	0	B	ST GRAY					68	67			64				59	58					54			
												46	45					39	38								
						73					32		30	29	28	27			23	22							17
SALEABLE	NOT APPLICABLE	34566-5353	9	B	ST GRAY					68	67			64	63			59	58			55	54				
												46	45	44	43			39	38				35	34			
						73					32		30	29	28	27			23	22				19			17
SALEABLE	NOT APPLICABLE	34566-5363	0	C	BLUE	72		70		68		66			63	62			59		57				53		
						52	51			48	47	46			44			40	39	38						34	33
						73					32		30				26	25			22	21					
SALEABLE	NOT APPLICABLE	34566-5373	0	C	BLUE	72		70		68		66			63	62			59		57				53		
						52	51			48	47	46			44			40	39							34	33
						73					32		30				26	25			22	21					
SALEABLE	NOT APPLICABLE	34566-5383	0	C	BLUE	72		70		68		66			63	62			59		57				53		
						52	51			48	47	46			44			40	39							34	33
						73					32		30				26	25	24		22	21					

STATUS	GM PART #	HRNS CONN ASSY			TPA	GROMMET CAP																																
		MATERIAL/PART	WIRE DRESS OPTION	KEY OPTION	COLOR OPTION	NUMBERS INDICATE CAVITIES OPEN FOR CIRCUITS																																
		NUMBER																																				
SALEABLE	NOT APPLICABLE	34566-5393	0	A	BLACK			70	69							63																56	55	54	53			
						52	51		49							44	43	42	41															36			34	
								73										28		26			23					21							19	18		
SALEABLE	NOT APPLICABLE	34566-5413	0	A	BLACK			70	69							63																56	55	54	53			
						52	51		49							44	43	42	41														36			34		
								73										28		26			23					21							19	18		
SALEABLE	NOT APPLICABLE	34566-5423	0	A	BLACK			70	69							63																56	55	54	53			
						52	51		49							44	43	42	41														36			34		
								73										28		26															19	18		
SALEABLE	NOT APPLICABLE	34566-5433	9	B	ST GRY																																	
														46	45																							
								73									32		30	29	28	27						23	22									
SALEABLE	NOT APPLICABLE	34566-5443	9	B	ST GRY																																	
														68	67			64																				
								73										32		30	29	28	27															
SALEABLE	NOT APPLICABLE	34566-5453	0	B	ST GRY																																	
														68	67			64																				
								73										32		30	29	28	27															
SALEABLE	NOT APPLICABLE	34566-5463	0	A	BLACK			70																														
						52			49																													
								73										31	30		28	27	26					23							20	19		
SALEABLE	NOT APPLICABLE	34566-5473	0	A	BLACK		72	71	70																													
							52	51																														
								73										31	30	29	28	27	26	25	24	23									20	19		
SALEABLE	NOT APPLICABLE	34566-5483	0	B	ST GRY				70																													
									50																													
								73										32	31	30	29	28	27	26	25	24									20			17
SALEABLE	NOT APPLICABLE	34566-5493	0	A	BLACK			70	69																													
									49																													
								73										32				28		26													19	18
SALEABLE	NOT APPLICABLE	34566-5513	9	B	ST GRY																																	
								73										32		30	29	28	27													19		
SALEABLE	NOT APPLICABLE	34566-5523	9	A	BLACK																																	
									69																													
								73											31	30	29	28	27	26		24											21	20
SALEABLE	NOT APPLICABLE	34566-5533	9	B	ST GRY																																	
								73										32		30	29	28	27															
SALEABLE	NOT APPLICABLE	34566-5543	9	A	BLACK																																	
								73										32		30	29	28	27															
SALEABLE	NOT APPLICABLE	34566-5553	9	B	ST GRY																																	
								73										32		30	29	28	27															

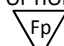
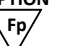

MX123 52/66/73/80-WAY RECEPTACLE ASSY SEALED PIN OUT SHEET

STATUS	GM PART #	HRNS CONN ASSY			TPA	GROMMET CAP																								
		MATERIAL/PART	WIRE DRESS OPTION	KEY OPTION 	COLOR OPTION 	NUMBERS INDICATE CAVITIES OPEN FOR CIRCUITS 																								
		NUMBER																												
SALEABLE	NOT APPLICABLE	34566-5563	0	A	BLACK	72	71	70	69					64	63			60	59	58	57	56	55	54	53					
						52	51		49	48	47		45	44	43	42	41									37	36		34	33
						73				32			30		28		26												19	18
SALEABLE	NOT APPLICABLE	34566-5573	0	C	BLUE	72		70		68		66		63	62			59	58	57	56	55								
						52	51		49	48	47	46		44		42		40	39	38	37	36						34	33	
						73				32		30				26	25	24	23	22	21	20	19	18	17					
SALEABLE	NOT APPLICABLE	34566-5583	0	B	ST GRY	72		70		68		66		64	63			60	59							55	54	53		
						52		50		48		46				40	39										35	34	33	
						73				32	31	30	29	28	27	26	25	24	23					20						
SALEABLE	NOT APPLICABLE	34566-5593	0	C	BLUE	72		70		68		66		63	62			59	58	57										
						52	51			48	47	46		44		42		40	39										34	33
						73				32		30				26	25		23	22	21									
SALEABLE	NOT APPLICABLE	34566-5613	0	C	BLUE	72		70		68		66		63	62			59	58	57										
						52	51			48	47			44		42		40	39		37	36						34	33	
						73				32		30		27	26	25	24	23	22	21	20									
SALEABLE	NOT APPLICABLE	34566-5623	0	C	BLUE	72		70		68		66		63	62			59	58	57										
						52	51			48	47			44		42		40	39		37	36						34	33	
						73				32		30		27	26	25	24	23	22	21	20									
SALEABLE	NOT APPLICABLE	34566-5633	0	B	ST GRY	72				48		46		44	43			62	61											
						52				48		46		44	43			41	40											
						73						30																20	19	18
SALEABLE	NOT APPLICABLE	34566-5643	0	B	ST GRY	72				48		46		43				62	61											
						52				48		46		43				41	40											
						73						30																20	19	18
SALEABLE	NOT APPLICABLE	34566-5653	0	A	BLACK	72	71	70	69	68		66	65	64	63		61	60			57	56					54	53		
						52	51	50	49	48		46	45	44	43			40	39	38	37	36						34	33	
						73				32	31	30	29	28		26	25		23	22	21									
SALEABLE	NOT APPLICABLE	34566-5663	0	C	BLUE				69		67	66		64			62	61												
						52	51	50		48		46	45	44		42												55	54	
						73				32	31			28	27	26													35	34
SALEABLE	NOT APPLICABLE	34566-5673	0	C	BLUE				69		67	66		64			62	61												
						52	51	50	49	48		46	45	44		42												55	54	
						73				32	31			28	27	26													35	34
SALEABLE	NOT APPLICABLE	34566-5683	0	B	ST GRY	72				48		46		44	43			62	61											
						52				48		46		44	43			41	40											
						73						30																20	19	18
SALEABLE	NOT APPLICABLE	34566-5693	0	A	BLACK	72	71	70	69	68		66	65	64	63		61	60			57	56					54	53		
						52	51	50	49	48		46	45	44	43			40	39	38	37	36						34	33	
						73				32	31	30	29	28		26	25		23	22	21	20								
SALEABLE	NOT APPLICABLE	34566-5713	0	C	BLUE				69		67	66		64			62	61												
						52	51	50		48		46	45	44		42												55	54	
						73				32	31			28	27	26													35	34
SALEABLE	NOT APPLICABLE	34566-5723	0	C	BLUE				69		67	66		64			62	61												
						52	51	50	49	48		46	45	44		42												55	54	
						73						31		28	27		25												34	33

MX123 52/66/73/80-WAY RECEPTACLE ASSY SEALED PIN OUT SHEET

STATUS	GM PART #	HRNS CONN ASSY			TPA	GROMMET CAP																						
		MATERIAL/PART	WIRE DRESS OPTION	KEY OPTION	COLOR OPTION	NUMBERS INDICATE CAVITIES OPEN FOR CIRCUITS																						
		NUMBER																										
SALEABLE	NOT APPLICABLE	34566-5733	0	A	BLACK	71	70	69					64	63			60	59	58	57	56	55	54	53				
						52	51	49				45	44	43	42	41								19	18			
						73			32		30		28		26										3			
SALEABLE	NOT APPLICABLE	34566-5743	0	A	BLACK	71	70	69					64	63			60	59		57	56	55	54	53				
						52	51	49				45	44	43	42	41								19	18			
						73			32		30		28		26										3			
SALEABLE	NOT APPLICABLE	34566-5753	0	A	BLACK	71	70	69					64	63			60	59		57	56	55	54	53				
						52	51	49				45	44	43	42	41								19	18			
						73			32		30		28		26			23		21				3				
SALEABLE	NOT APPLICABLE	34566-5763	0	C	BLUE	72		70					66	63	62			59	58	57					53			
						52	51			48	47	46		44		42		40	39		37	36			34	33		
						73			32		30		27	26	25	24		22	21	20						2		
SALEABLE	NOT APPLICABLE	34566-5773	0	C	BLUE	72		70					66	63	62			59	58	57					53			
						52	51			48	47		44		42		40	39		37	36			34	33			
						73			32		30		27	26	25	24		22	21	20					2	1		
SALEABLE	NOT APPLICABLE	34566-5783	0	C	BLUE	72		70					66	63	62			59	58	57					53			
						52	51			48	47		44		42		40	39		37	36			34	33			
						73			32		30		27	26	25	24		22	21	20					2	1		
SALEABLE	NOT APPLICABLE	34566-5793	0	B	ST GRY	72		70					66				60	59					55	54	53			
						52		50		48	47	46				40	39							35	34	33		
						73			32	31	30	29	28	27	26	25	24									2	1	
SALEABLE	NOT APPLICABLE	34566-5813	0	B	ST GRY	72		70					66				60	59					55	54	53			
						52		50		48	47	46				40	39							35	34	33		
						73			32	31	30	29	28	27	26	25	24	23							19	18	17	
SALEABLE	NOT APPLICABLE	34566-5823	0	A	BLACK	72		70					63															
						52		49					43		41													
						73				31	30		28	27	26			23						20	19			
SALEABLE	NOT APPLICABLE	34566-5833	0	A	BLACK	72		70					63															
						52		49					43		41													
						73				31	30		28	27	26			23						20	19			
SALEABLE	NOT APPLICABLE	34566-5843	0	H	ST GRY	79							74	73	72	71			68	67		65	64	63	62	61		
							59		57				54		52											42	41	
								38					34	33				29		27		25						
SALEABLE	NOT APPLICABLE	34566-5853	0	H	ST GRY	79							74	73	72	71			68	67		65	64	63	62	61		
							59		57				54		52											43	42	41
								38					33				29		27		25							
SALEABLE	NOT APPLICABLE	34566-5863	0	C	BLUE	72		70					66		63	62			59		57	56	55		53			
						52	51					46		44		42		40	39		37	36			34	33		
						73			32		30				26	25			22	21					3			
SALEABLE	NOT APPLICABLE	34566-5873	0	B	ST GRY	72										62	61											
						52				48	47	46		44	43		41	40							20	19	18	
						73					30														4			
SALEABLE	NOT APPLICABLE	34566-5883	0	B	ST GRY	72										62	61											
						52				48	47	46		43		41	40								20	19	18	
						73					30														4			

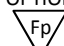
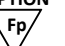

MX123 52/66/73/80-WAY RECEPTACLE ASSY SEALED PIN OUT SHEET

STATUS	GM PART #	HRNS CONN ASSY			TPA	GROMMET CAP																						
		MATERIAL/PART	WIRE DRESS OPTION	KEY OPTION 	COLOR OPTION 	NUMBERS INDICATE CAVITIES OPEN FOR CIRCUITS 																						
		NUMBER																										
SALEABLE	NOT APPLICABLE	34566-5893	0	C	BLUE				69		67	66				62		60			57		55	54				
						52	51	50		48		46	45	44		42							37		35	34	33	
						73				32				28	27	26										19	18	
SALEABLE	NOT APPLICABLE	34566-5913	0	C	BLUE				69		67	66				61	60			57				54				
						52	51	50	49	48		46	45	44		41							37			34	33	
						73				32				28	27	25											18	
SALEABLE	NOT APPLICABLE	34566-5933	0	C	BLUE	72		70		68		66			63	62			59		57	56	55		53			
						52	51			48	47	46		44		42		40	39								34	33
						73				32		30				26	25		23	22	21							
SALEABLE	NOT APPLICABLE	34566-5943	0	C	BLUE			70		68	67	66			63	62			59		57	56	55		53			
						52	51		49	48	47	46		44		42		40	39								34	33
						73				32		30			27	26	25			22	21	20						
SALEABLE	NOT APPLICABLE	34566-5953	0	A	BLACK		71	70	69				65	64	63	62	61	60			58	57	56	55	54	53		
						52	51		49	48	47		45	44	43	42	41										34	
						73				32		30	29	28	27	26	25	24									19	18
SALEABLE	NOT APPLICABLE	34566-5963	0	B	ST GRY	72	71	70		68	67	66				62	61	60	59	58	57	56	55	54	53			
						52	51	50		48	47	46				42	41	40	39	38	37	36	35	34	33			
						73				32	31	30	29	28	27	26	25	24										18
SALEABLE	NOT APPLICABLE	34566-5973	0	C	BLUE			70		68	67	66			63	62			59		57	56	55		53			
						52	51		49	48	47	46		44		42		40	39								34	33
						73				32		30			27	26	25			22	21						19	18
SALEABLE	NOT APPLICABLE	34566-5983	0	C	BLUE				69		67	66			64		60			57		55	54					
						52	51	50		48		46	45	44		42										35	34	33
						73				32				28	27	26											19	18
SALEABLE	NOT APPLICABLE	34566-5993	0	A	BLACK		71	70	69				65	64	63	62	61	60			58	57	56	55	54	53		
						52	51	50	49		47		45	44	43	42	41	40	39								34	
						73				32	31	30	29	28	27	26	25	24	23									18
SALEABLE	NOT APPLICABLE	34566-6013	0	B	ST GRY				69		67		65				61	60	59	58	57			54	53			
							51	50	49	48	47	46	45		43			40	39								34	33
						73				32	31	30	29			26		24	23	22	21	20						18
SALEABLE	NOT APPLICABLE	34566-6023	0	A	BLACK		71	70	69	68	67						60	59	58	57	56			54	53			
						52	51	50	49	48	47		45	44	43			40	39	38	37	36	35	34	33			
						73				32	31	30	29	28			24	23	22	21	20	19						17
SALEABLE	NOT APPLICABLE	34566-6033	0	A	BLACK			70	69						63	62	61			58	57	56	55	54	53			
						52	51		49				44	43	42	41											34	
						73				32			29	28	27	26											19	18
SALEABLE	NOT APPLICABLE	34566-6043	0	B	ST GRY					68	67	66	65	64						58			55					
												46	45														35	
						73				32		30	29	28	27													19
SALEABLE	NOT APPLICABLE	34566-6053	0	B	ST GRY					68	67	66	65	64					58			55						
												46	45														35	
						73				32		30	29	28	27													19
SALEABLE	NOT APPLICABLE	34566-6063	0	C	BLUE	72				68	67	66			64		60			57		55	54					
						52	51	50		48	47	46		44		42											34	33
						73				32				28	27	26												19

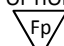
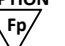

MX123 52/66/73/80-WAY RECEPTACLE ASSY SEALED PIN OUT SHEET

STATUS	GM PART #	HRNS CONN ASSY			TPA	GROMMET CAP																						
		MATERIAL/PART	WIRE DRESS OPTION	KEY OPTION	COLOR OPTION	NUMBERS INDICATE CAVITIES OPEN FOR CIRCUITS																						
		NUMBER																										
SALEABLE	NOT APPLICABLE	34566-6073	0	C	BLUE	52	51	50	69	48	67	66	64	61	60	57	54	33	34	33								
						73			32	28	27	25	18	17														
						16	15	14	13	12	11	10	9															
SALEABLE	NOT APPLICABLE	34566-6083	0	C	BLUE	72		70		68	67	66		63	62		59		57			53						
						52	51			48	47	46		44	42		40	39		37	36		34	33				
						73			32		30			26	25		22	21										
SALEABLE	NOT APPLICABLE	34566-6093	0	B	ST GRY	72		70			67			63	62	61	60	59										
						52						46		43		41	40											
						73								27								20	19	18				
SALEABLE	NOT APPLICABLE	34566-6113	0	A	BLACK	72	71	70	69	68		66	65	64	63	62	61	60		58	57	56	55	54	53			
						52	51	50	49	48		46	45	44	43	42	41	40	39	38	37	36						
						73			32	31	30	29	28	27	26	25		23	22	21	20	19	18					
SALEABLE	NOT APPLICABLE	34566-6123	0	C	BLUE				69		67	66		64		62		60						54				
						52	51	50		48		46	45	44		42										34	33	
						73								28	27	26												
SALEABLE	NOT APPLICABLE	34566-6133	9	C	BLUE	72		70		68	67			63	62		59		57					53				
						52	51			48	47			44		42		40	39	38	37	36				34	33	
						73			32		30			26	25	24		22	21									
SALEABLE	NOT APPLICABLE	34566-6173	9	B	ST GRY					67	66																	
										48	47				41													
						73			32	31	30	29		27	26	25	24		22	21		19	18	17				
SALEABLE	NOT APPLICABLE	34566-6183	9	A	BLACK						66																	
										48	47				41													
						73			32	31	30	29		27	26	25	24		22	21		19	18	17				
SALEABLE	NOT APPLICABLE	34566-6193	9	B	ST GRY	72	71	70	69	68	67	66	65	64		62	61	60	59	58	57	56	55	54				
						52	51	50	49			46		44		41	40		38	37	36							
						73			32	31	30	29	28	27	26	25	24			21	20		18	17				
SALEABLE	NOT APPLICABLE	34566-6213	9	A	BLACK						67	66																
										48	47				41													
						73			32	31	30	29		27	26	25	24		22	21		19	18	17				
SALEABLE	NOT APPLICABLE	34566-6223	9	C	BLUE	72		70		68		66		63	62		59		57						53			
						52	51			48	47	46		44				40	39								34	33
						73			32		30			27	26	25				22	21	20						
SALEABLE	NOT APPLICABLE	34566-6233	9	B	ST GRY	72		70		68		66					60	59							55	54	53	
						52		50		48		46					40	39								35	34	33
						73			32	31	30	29	28	27	26	25	24											
SALEABLE	NOT APPLICABLE	34566-6243	9	A	BLACK		71	70	69					64	63		60	59	58	57	56	55	54	53				
						52	51	50	49				45	44	43	42	41		39		37	36						34
						73			32		30			28		26											19	18
SALEABLE	NOT APPLICABLE	34566-6253	9	C	BLUE																							
						72		70		68	67	66		63	62		59		57									53
						52	51		49	48	47	46		44				40	39		37	36						34
SALEABLE	NOT APPLICABLE	34566-6263	9	B	ST GRY																							
						72	71	70		68	67	66				62	61	60	59	58	57	56	55	54	53			
						52	51	50		48	47	46				42	41	40	39	38	37	36	35	34	33			
73			32	31	30	29	28	27	26	25	24													18	17			
73			16	15	14	13			10		8														3	2	1	

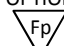
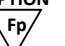

MX123 52/66/73/80-WAY RECEPTACLE ASSY SEALED PIN OUT SHEET

STATUS	GM PART #	HRNS CONN ASSY			TPA	GROMMET CAP																						
		MATERIAL/PART	WIRE DRESS OPTION	KEY OPTION 	COLOR OPTION 	NUMBERS INDICATE CAVITIES OPEN FOR CIRCUITS 																						
		NUMBER																										
SALEABLE	NOT APPLICABLE	34566-6273	9	B	ST GRY	52	71	70	69	48	47		65	64	63	62	61	60		58	57	56	55	54	53			
						73			32		30	29	28	27	26		24								19	18		
SALEABLE	NOT APPLICABLE	34566-6283	9	C	BLUE	72		70		68	67	66			63	62			59		57				53			
						52	51			48	47	46		44				40	39							34	33	
						73			32		30			27	26	25				22	21							
SALEABLE	NOT APPLICABLE	34566-6293	9	B	ST GRY	72	71	70		68	67	66				62	61	60	59	58	57	56	55	54	53			
						52	51	50		48	47	46				42	41	40	39	38	37	36	35	34	33			
						73			32	31	30	29	28	27	26	25	24											17
SALEABLE	NOT APPLICABLE	34566-6313	9	B	ST GRY			70	69						63	62	61	60		58	57	56	55	54	53			
						52	51	50	49					44	43	42	41										34	
						73			32			29	28	27	26											19	18	
SALEABLE	NOT APPLICABLE	34566-6323	9	B	ST GRY		71	70	69						64	63			60	59	58	57	56	55	54	53		
						52	51	50	49					45	44	43	42	41										34
						73			32		30																	
SALEABLE	NOT APPLICABLE	34566-6333	9	C	BLUE	72		70		68	67	66				63	62			59		57	56	55		53		
						52	51			48	47	46		44				40	39								34	33
						73			32		30			27	26	25				22	21					19	18	
SALEABLE	NOT APPLICABLE	34566-6343	9	A	BLACK			70	69						63	62	61	60		58	57	56	55	54	53			
						52	51	50	49					44	43	42	41	40	39								34	
						73			32			29	28	27	26												19	18
SALEABLE	NOT APPLICABLE	34566-6353	9	C	BLUE	72		70		68		66			63	62			59	58	57	56	55		53			
						52	51			48	47	46		44				40	39								34	33
						73			32		30			27	26	25				23	22	21	20					17
SALEABLE	NOT APPLICABLE	34566-6363	9	B	ST GRY	72		70		68		66						60	59					55	54	53		
						52		50		48		46						40	39							35	34	33
						73			32	31	30	29	28	27	26	25	24	23									19	18
SALEABLE	NOT APPLICABLE	34566-6373	9	A	BLACK	72	71	70	69		67				64	63			60	59	58	57	56	55	54	53		
						52	51	50	49		47			45	44	43	42	41	40	39								34
						73			32		30			28	27	26				23		21					19	18
SALEABLE	NOT APPLICABLE	34566-6383	9	A	BLACK	72	71	70	69	68		66	65	64	63		61	60				57	56			54	53	
						52	51	50	49	48		46	45	44	43	42	41	40	39	38	37	36					34	33
						73			32	31	30	29	28							23	22	21						
SALEABLE	NOT APPLICABLE	34566-6393	9	C	BLUE		71	70	69		67	66	65	64		62	61	60			58	57			55	54		
						52	51	50	49	48	47	46	45	44		42	41					38	37			35	34	33
						73			32				28	27	26	25											19	18
SALEABLE	NOT APPLICABLE	34566-6413	9	B	ST GRY					68	67				63	62	61	60	59					55				
						52				48	47	46		44	43		41	40				38	37	36	35			
						73					30			27												20	19	18
SALEABLE	NOT APPLICABLE	34566-6423	9	C	BLUE	72	71	70	69		67	66	65	64								56				54		
						52	51	50	49		47	46	45	44					39	38							34	
						73					31	30	29	28		26	25			23	22	21						17
SALEABLE	NOT APPLICABLE	34566-6433	9	A	BLACK	72		70			67				63			60	59	58	57	56	55					
						52	51			48	47	46			43	42		40	39	38	37	36	35					
						73									28	27					22	21					18	17

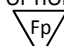
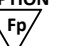

MX123 52/66/73/80-WAY RECEPTACLE ASSY SEALED PIN OUT SHEET

STATUS	GM PART #	HRNS CONN ASSY			TPA	GROMMET CAP																				
		MATERIAL/PART	WIRE DRESS OPTION	KEY OPTION 	COLOR OPTION 	NUMBERS INDICATE CAVITIES OPEN FOR CIRCUITS 																				
		NUMBER																								
SALEABLE	NOT APPLICABLE	34566-6443	9	B	ST GRN	72	71	70	69	68	67	66	65	64	63		61	60			57	56	55			
						52	51	50	49	48	47	46	45	44	43		41	40			38	37	36	35	34	33
						73				32	31	30	29	28		26	25	24	23	22	21	20	19	18	17	
SALEABLE	NOT APPLICABLE	34566-6453	0	C	BLUE		71	70	69		67		65	64		62	61	60			57			54		
						52	51	50	49	48	47	46	45	44		42	41			37				34	33	
						73				32				28	27	26	25								18	17
SALEABLE	NOT APPLICABLE	34566-6463	0	B	ST GRN	72				68	67					62	61							55		
						52				48	47	46			43			40								
						73						30											20	19	18	
SALEABLE	NOT APPLICABLE	34566-6473	9	C	BLUE			70	69		67	66		64		62		60			57		55	54		
						52	51	50		48		46	45	44		42				37			35	34	33	
						73				32				28	27	26							19	18	17	
SALEABLE	NOT APPLICABLE	34566-6483	9	A	BLACK	72	71	70	69	68		66	65	64	63		61	60			57	56		54	53	
						52	51	50	49	48		46	45	44	43		40	39	38	37	36			34	33	
						73				32	31	30	29	28		26	25		23	22	21	20				
SALEABLE	NOT APPLICABLE	34566-6493	9	B	ST GRN	72			70							62	61							55		
						52				48	47	46			43			40								
						73						30											20	19	18	
SALEABLE	NOT APPLICABLE	34566-6513	0	B	ST GRN					68	67					62	61						55	54		
						52				48		46			43			40								
						73				16	15	14						8					4	3	2	
SALEABLE	NOT APPLICABLE	34566-6523	0	B	ST GRN					68	67			64				59	58					54		
						73				32		30	29	28	27			23	22							17
											15	14	13		11	10					6					
SALEABLE	NOT APPLICABLE	34566-6533	9	B	ST GRN					68	67			64												
						73				32		30	29	28	27											17
																10			7							
SALEABLE	NOT APPLICABLE	34566-6543	9	A	BLACK	72	71	70	69	68		66	65	64	63		61	60			57	56		54	53	
						52	51	50	49	48		46	45	44	43		40	39	38	37	36			34	33	
						73				32	31	30	29	28		26	25		23	22	21	20				
SALEABLE	NOT APPLICABLE	34566-6553	9	A	BLACK		71	70	69		67			64	63		60	59	58	57	56	55	54	53		
						52	51	50	49	48		46	45	44	43	42	41	40	39		37	36			34	
						73				32		30		28		26							19	18	17	
SALEABLE	NOT APPLICABLE	34566-6563	9	C	BLUE	72			70			66			63	62			59	58	57			53		
						52	51			48	47	46		44			40	39							34	33
						73				32		30			27	26	25		23	22	21	20				
SALEABLE	NOT APPLICABLE	34566-6573	9	A	BLACK		71	70	69		67			64	63		60	59	58	57	56	55	54	53		
						52	51	50	49	48		46	45	44	43	42	41	40	39		37	36			34	
						73				32		30		28		26			23		21		19	18		
SALEABLE	NOT APPLICABLE	34566-6583	9	A	BLACK				70	69					63	62	61	60		58	57	56	55	54	53	
						52	51	50	49					44	43	42	41	40	39		37	36			34	
						73				32			29	28	27	26							19	18		
SALEABLE	NOT APPLICABLE	34566-6593	0	C	BLUE				69		67			64		62		60			57		55	54		
						52	51	50		48		46	45	44		42					37		35	34	33	
						73				32				28	27	26							20	19	18	17


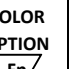

MX123 52/66/73/80-WAY RECEPTACLE ASSY SEALED PIN OUT SHEET

STATUS	GM PART #	HRNS CONN ASSY			TPA	GROMMET CAP																						
		MATERIAL/PART	WIRE DRESS OPTION	KEY OPTION 	COLOR OPTION 	NUMBERS INDICATE CAVITIES OPEN FOR CIRCUITS 																						
		NUMBER																										
SALEABLE	NOT APPLICABLE	34566-6613	0	A	BLACK	72	71	70	69			66		64	63		61	60			57	56		54	53			
						52	51	50	49			46	45	44	43			40	39	38	37	36			34	33		
						73				32	31	30	29	28		26	25		23	22	21						2	1
SALEABLE	NOT APPLICABLE	34566-6623	9	B	ST GRY					68	67			64				59	58				54					
												46	45					39	38									
						73				32		30	29	28	27			23	22									17
SALEABLE	NOT APPLICABLE	34566-6633	9	C	BLUE				69		67	66		64		62		60			57			54				
						52	51	50		48		46	45	44		42						37				34	33	
						73								28	27	26												
SALEABLE	NOT APPLICABLE	34566-6643	9	C	BLUE		71			68	67		65	64	63		61	60			58	57			54			
						52	51	50		48			45		43		41					38	37			34	33	
						73								28	27		25											18
SALEABLE	NOT APPLICABLE	34566-6653	9	B	ST GRY	72				68						62	61	60	59					55				
						52				48	47	46		44	43		41	40			38	37	36	35				
						73						30												20	19	18		
SALEABLE	NOT APPLICABLE	34566-6663	9	A	BLACK				69	68		66	65	64	63			60			57	56			54			
						52	51	50	49	48		46	45	44	43	42		40	39	38	37	36				34		
						73				32	31	30	29	28		26	25		23	22	21	20						
SALEABLE	NOT APPLICABLE	34566-6673	9	B	ST GRY		71			68	67	66	65	64	63		61	60	59		57	56	55					
						52	51	50	49	48	47	46	45	44	43		41	40	39	38	37	36	35	34	33			
						73				32	31	30	29	28		26		24	23	22	21	20	19	18	17			
SALEABLE	NOT APPLICABLE	34566-6683	9	A	BLACK				70		67				63		60	59	58	57								
						52				48	47	46		44	43	42		40	39	38	37							
						73				32	31	30	29	28	27					22	21							
SALEABLE	NOT APPLICABLE	34566-6693	9	C	BLUE		71			68	67	66	65	64						56				54				
						52	51	50	49		47	46	45	44				39	38							34		
						73					31	30	29	28		26	25	24	23	22	21							17
SALEABLE	TBD	34822-0063	9	A	BLACK		63	62	61	60	59				54	53		51		49	66							
							47								38	37		35	33									
						65								28		25			22	21			20	19	18	17		
SALEABLE	NOT APPLICABLE	34566-6713	9	A	BLACK				70		67				63		60	59	58	57				54	53			
						52	51	50	49	48		46	45	44	43	42	41	40	39	38	37	36				34	33	
						73				32	31	30	29	28		26	25		23	22	21							
SALEABLE	NOT APPLICABLE	34566-6723	0	H	ST GRY		79					74	73					67		65	64	63	62	61				
							59						53	52								44	43	42	41			
								38					33							27		25						
SALEABLE	NOT APPLICABLE	34566-6733	0	G	BLUE			78	77		75	74		72		70				64	63							
						60		58	57		55	54		52	51	50	49		47		45							
						40	39	38	37				33	32	31				27	26								
SALEABLE	NOT APPLICABLE	34566-6743	9	C	BLUE				69	68	67		65	64	63		61	60			57				54	53		
						52	51	50		48		46	45		43		41				37					34	33	
						73				16	15	14	13	12	11	10	9	8	7									
SALEABLE	NOT APPLICABLE	34566-6753	9	A	BLACK				70	68	67		65	64	63		61	60			57	56			54	53		
						52	51	50	49	48		46	45	44	43	42		40	39	38	37	36				34	33	
						73					31	30	29	28					23	22	21	20						

MX123 52/66/73/80-WAY RECEPTACLE ASSY SEALED PIN OUT SHEET

STATUS	GM PART #	HRNS CONN ASSY			TPA	GROMMET CAP																					
		MATERIAL/PART	WIRE DRESS OPTION	KEY OPTION 	COLOR OPTION 	NUMBERS INDICATE CAVITIES OPEN FOR CIRCUITS 																					
		NUMBER																									
SALEABLE	NOT APPLICABLE	34566-6933	9	B	ST GRY	72				68	67				63	62	61	60	59				55		53		
						52				48	47	46		44	43		41	40		38	37	36	35				
						73						30			27					22	21	20	19	18	17		
SALEABLE	NOT APPLICABLE	34566-6943	9	A	BLACK	72	71	70	69	68		66	65	64	63		61	60			57	56		54	53		
						52	51	50	49	48		46	45	44	43	42	41	40	39	38	37	36		34	33		
						73						32	31	30	29	28				23	22	21					
SALEABLE	NOT APPLICABLE	34566-6953	0	A	BLACK	72	71	70	69			66	65	64	63		61	60			57	56		54	53		
						52	51	50	49			46	45	44	43			40	39	38	37	36		34	33		
						73						32	31	30	29	28		26	25		23	22	21	20			
SALEABLE	NOT APPLICABLE	34566-6963	0	B	ST GRY	72		70		68	67					62	61					55					
						52				48	47	46			43			40									
						73						30											20	19	18		
SALEABLE	NOT APPLICABLE	34566-6973	0	C	BLUE		71	70	69		67		65	64		62	61	60			57		55	54			
						52	51	50	49	48	47	46	45	44		42	41				37			35	34	33	
						73						32	31	30	29	28		27	26	25					19	18	17
SALEABLE	NOT APPLICABLE	34566-6983	0	C	BLUE		71		69		67		65	64		62		60			57			54			
						52	51	50		48	47	46	45	44		42					37				34	33	
						73						28	27	26											18		
SALEABLE	NOT APPLICABLE	34566-6993	0	G	BLUE			78	77	76									67	66	65						
						40	39	38	37	36	35	34	33	32				29	28				25				21
						20	19	18	17	16	15	14	13	12													3
SALEABLE	NOT APPLICABLE	34566-7013	9	A	BLACK		71	70	69					64	63	62	61	60	59	58	57	56	55	54	53		
						52	51	50	49				45	44	43	42	41		39		37	36			34		
						73						32		29	28	27	26								19	18	
SALEABLE	NOT APPLICABLE	34566-7023	0	A	BLACK	72	71	70	69	68		66	65	64			61	60			57	56		54	53		
						52	51	50	49	48		46	45	44	43			40	39	38	37	36		34	33		
						73						31	30	29	28		26	25		23	22	21	20				
SALEABLE	NOT APPLICABLE	34566-7033	0	A	BLACK			70	69				65		63	62	61	60			58	57	56	55	54	53	
						52	51		49				44	43	42	41					37	36			34		
						73						32		29	28	27	26					21		19	18		
SALEABLE	NOT APPLICABLE	34566-7043	0	B	ST GRY	72				68	67				63	62	61	60	59				55				
						52						46			43		41	40									
						73						16		14				27						20	19	18	
SALEABLE	NOT APPLICABLE	34566-7053	0	C	BLUE		71		69		67		65	64		62	61	60			57			54			
						52	51	50	49	48	47	46	45	44		42	41				37				34	33	
						73						16	15	14	13	12	11	10	9	8	7						
SALEABLE	NOT APPLICABLE	34566-7063	0	C	BLUE	72		70		68	67	66			63	62			59		57				53		
						52	51			48	47	46		44			40	39							34	33	
						73						32		30				26	25			22	21				
SALEABLE	NOT APPLICABLE	34566-7073	9	F	NATURAL				69	68										58	57						
															43	42					38	37					33
						73								30											19	18	17
SALEABLE	NOT APPLICABLE	34566-7083	9	B	ST GRY																						
						73						16	15	14	13	12	11	10		8	7				3	2	1

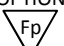
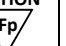

MX123 52/66/73/80-WAY RECEPTACLE ASSY SEALED PIN OUT SHEET

STATUS	GM PART #	HRNS CONN ASSY			TPA	GROMMET CAP																						
		MATERIAL/PART	WIRE DRESS OPTION	KEY OPTION 	COLOR OPTION 	NUMBERS INDICATE CAVITIES OPEN FOR CIRCUITS 																						
		NUMBER																										
SALEABLE	NOT APPLICABLE	34566-7093	9	B	ST GRY	72	71	70	69	68	67	66	65	64	63				59						53			
						52	51	50	49	48	47	46	45	44	43				39							34	33	
						73				32	31	30	29	28	27	26	25	24	23									17
						73				16	15	14	13	12	11	10		8	7							3	2	1
SALEABLE	NOT APPLICABLE	34566-7113	9	G	BLUE	80	79	78		76					71			67										
						60	59	58	57			54			51	50	49	48	47					44			41	
						40	39		37					33	32		30	29	28	27			25	24				
						20	19	18							12	11		9	8			5				3	2	
SALEABLE	NOT APPLICABLE	34566-7123	9	G	BLUE	80	79	78							71			67										
						60	59	58	57			54			51	50	49	48	47					44			41	
						40	39							33	32		30	29	28	27			25	24				
						20	19	18							12	11		9	8			5				3	2	
SALEABLE	NOT APPLICABLE	34566-7133	9	B	ST GRY												42							54	53			
						73										27		25										
						73												10										
								70	69								63			60	59	58	57	56	55	54	53	
SALEABLE	NOT APPLICABLE	34566-7143	0	A	BLACK	52	51		49	48	47			44	43	42	41					37	36		34	33		
						73				32				28		26										19	18	
						73				16	15					12		10									3	
								70	69											60	59	58	57	56	55	54	53	
SALEABLE	NOT APPLICABLE	34566-7153	0	C	BLUE	72		70		68		66			63	62			59	58	57				53			
						52	51		49	48	47	46		44		42		40	39		37	36				34	33	
						73				32		30				26	25	24		22	21		19	18	17			
						73					15	14				10	9	8		6	5	4			2	1		
SALEABLE	NOT APPLICABLE	34566-7163	0	A	BLACK	72		70	69	68	67						61	60				56	55	54	53			
						52		50	49	48	47		45	44	43			41	40					35	34	33		
						73								29	28			25	24					20	19	18	17	
						73				16	15				11		9	8	7	6	5	4	3	2	1			
SALEABLE	NOT APPLICABLE	34566-7173	0	B	ST GRY					68	67	66	65	64	63				58				55					
												46	45		43						38				34			
						73				32		30	29	28	27					22								17
						73				16							10											
SALEABLE	NOT APPLICABLE	34566-7183	0	B	ST GRY	72	71	70	69	68	67	66	65	64	63	62	61	60	59	58	57	56	55	54	53			
						52	51	50	49	48	47	46	45	44	43	42	41	40	39	38	37	36	35	34	33			
						73				32	31	30	29	28	27	26	25	24		22	21	20	19	18	17			
						73				16	15	14	13	12	11	10	9	8	7	6	5	4	3	2	1			
SALEABLE	NOT APPLICABLE	34566-7193	0	A	BLACK	72		70	69						63	62	61	60			58	57	56	55	54	53		
						52	51		49					44	43	42	41				37	36				34		
						73				32			29	28	27	26									19	18	17	
						73				16	15		13	12	11	10									3	2	1	
SALEABLE	NOT APPLICABLE	34566-7213	0	A	BLACK			70	69						63				58				54					
						52	51		49			47			44	43	42	41		39			36			34		
						73				32					28		26								19	18	17	
						73				16					12		10									3	2	1
SALEABLE	NOT APPLICABLE	34566-7223	0	C	BLUE	72		70		68		66			63	62			59			57			53			
						52	51			48	47	46		44		42		40	39		37	36				34	33	
						73				32		30				26	25	24		22	21	20						
						73					15	14	13			10	9	8		6	5	4				2		
SALEABLE	NOT APPLICABLE	34566-7233	9	A	BLACK	72										62	61				57	56	55	54				
						52	51					46	45		43			40			37			35	34			
						73				32		30	29				25						20					
						73				16	15		13		11	10	9					4						
SALEABLE	NOT APPLICABLE	34566-7243	9	A	BLACK	72										62	61			58	57	56	55	54				
						52	51			48		46	45		43			41	40			37			35	34		
						73				32		30	29				25						20					
						73				16	15		13		11	10	9					4	3					
SALEABLE	TBD	34822-0073	0	A	BLACK		63	62	61	60	59					54	53		51		49	66						
							47									38	37		35	33								
						65										28			25			22	21	20	19	18	17	
						65						15	14	13						8	7					3	2	1

MX123 52/66/73/80-WAY RECEPTACLE ASSY SEALED PIN OUT SHEET

STATUS	GM PART #	HRNS CONN ASSY			TPA	GROMMET CAP																															
		MATERIAL/PART	WIRE DRESS OPTION	KEY OPTION	COLOR OPTION	NUMBERS INDICATE CAVITIES OPEN FOR CIRCUITS																															
		NUMBER																																			
SALEABLE	TBD	34822-0083	9	A	BLACK	63	62	61	60	59								54	53		51	49	66														
						47										39	38	37		35		33				20	19	18	17								
						65								15	14	13											22	21			3	2	1				
SALEABLE	NOT APPLICABLE	34566-7253	0	B	ST GRY	72											62	61																			
						52				48	47	46		44	43		41	40											20	19	18						
						73								16		14													4								
SALEABLE	NOT APPLICABLE	34566-7263	0	C	BLUE				69		67	66		64		62		60					57						54								
						52	51	50		48		46	45	44		42												37			34	33					
						73													28	27	26												18				
SALEABLE	NOT APPLICABLE	34566-7273	0	C	BLUE				69		67	66		64		62		60					57						54								
						52	51	50		48		46	45	44		42													37			35	34	33			
						73								32					28	27	26													19	18	17	
SALEABLE	NOT APPLICABLE	34566-7283	0	C	BLUE				69		67	66		64		62		60					57						54								
						52	51	50	49	48		46	45	44		42														37			34	33			
						73								16	15	14	13	12	11	10	9	8	7												18		
SALEABLE	NOT APPLICABLE	34566-7293	9	A	BLACK	72	71	70	69	68	67	66	65	64	63					59										53							
						52	51	50	49	48	47	46	45	44	43																39			34	33		
						73								32	31	30	29	28	27	26	25	24	23													17	
SALEABLE	NOT APPLICABLE	34566-7313	0	B	ST GRY	72					67						62	61											55								
						52				48	47	46		44	43			40																			
						73										30																					
SALEABLE	NOT APPLICABLE	34566-7333	9	B	ST GRY	72	71	70	69	68	67	66	65	64	63	62	61	60	59					57	56	55											
						52	51	50	49	48	47	46	45	44	43		41	40	39	38	37	36	35	34	33												
						73								32	31	30	29	28		26	25	24	23	22	21	20	19	18	17								
SALEABLE	NOT APPLICABLE	34566-7343	9	B	ST GRY					68	67			64	63					59	58							55	54								
												46	45	44	43																						
						73								32		30	29	28	27																	17	
SALEABLE	NOT APPLICABLE	34566-7353	9	C	BLUE				69		67	66		64		62		60					57						54								
						52	51	50		48	47	46	45	44		42															37			35	34	33	
						73								16	15	14	13	12	11	10	9	8	7													19	18
SALEABLE	NOT APPLICABLE	34566-7363	0	B	ST GRY	72		70		68						62	61	60	59										55								
						52						46		44	43		41	40																			
						73								16	15	14																			20	19	18
SALEABLE	NOT APPLICABLE	34566-7373	0	A	BLACK	72	71	70	69	68			66	65	64				61	60									57	56			54	53			
						52	51	50	49	48			46	45	44	43	42		40	39	38	37	36												34	33	
						73										31	30	29	28		26	25		23	22	21	20										
SALEABLE	NOT APPLICABLE	34566-7383	0	C	BLUE		71	70			67	66	65	64				61	60										54								
						52	51	50	49	48	47		45	44																					34	33	
						73								32				28	27		25																17
SALEABLE	NOT APPLICABLE	34566-7393	0	B	ST GRY	72											62	61											55								
						52				48	47	46		44	43			40																			
						73								16	15	14																				20	19
SALEABLE	NOT APPLICABLE	34566-7413	0	A	BLACK	72	71	70	69	68			66	65	64	63				61	60								57	56			54	53			
							51	50	49	48			46	45	44	43	42		40	39	38	37	36													34	33
						73								32	31	30	29	28		26	25		23	22	21	20											

MX123 52/66/73/80-WAY RECEPTACLE ASSY SEALED PIN OUT SHEET

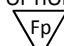
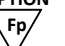

STATUS	GM PART #	HRNS CONN ASSY			TPA	GROMMET CAP																								
		MATERIAL/PART	WIRE DRESS OPTION	KEY OPTION 	COLOR OPTION 	NUMBERS INDICATE CAVITIES OPEN FOR CIRCUITS 																								
		NUMBER																												
SALEABLE	NOT APPLICABLE	34566-7423	0	C	BLUE			70	69		67			64			61	60			57			54						
						52	51	50	49	48	47	46	45	44			41						37			34	33			
						73			32				28	27		25											18	17		
SALEABLE	NOT APPLICABLE	34566-7433	0	B	ST GRY	72				68						62	61	60	59					55						
						52				48	47	46		44	43		41	40			38	37	36	35						
						73			16	15	14							8								4		1		
SALEABLE	NOT APPLICABLE	34566-7443	0	A	BLACK	72	71	70	69	68		66	65	64	63			60			57	56		54						
						52	51	50	49	48		46	45	44	43	42		40	39	38	37	36			34					
						73				31	30	29	28			26	25		23	22	21	20								
SALEABLE	NOT APPLICABLE	34566-7453	0	C	BLUE		71	70			67	66	65	64			61	60			58	57		54						
						52	51	50	49	48	47		45	44			41				38	37			34	33				
						73			32				28	27		25											18	17		
SALEABLE	NOT APPLICABLE	34566-7463	0	B	ST GRY	72				68						62	61							55						
						52				48	47	46				40														
						73			16	15	14							8		6	21	20	19	18			2			
SALEABLE	NOT APPLICABLE	34566-7473	0	B	ST GRY	72				68	67				63	62	61							55						
						52				48	47	46			43		40													
						73					30			27					22	21	20	19	18							
SALEABLE	NOT APPLICABLE	34566-7483	0	B	ST GRY					68					62	61								55						
						52				48	47	46			43		40													
						73					30							22	21	20	19	18	17							
SALEABLE	NOT APPLICABLE	34566-7493	0	C	BLUE				69		67			64		62		60			57		55	54						
						52	51	50		48	47	46	45	44		42						37		35	34	33				
						73			32				28	27	26										19	18	17			
SALEABLE	NOT APPLICABLE	34566-7513	9	A	BLACK	72	71	70	69	68		66	65	64	63			61	60			57	56		54	53				
						52	51	50	49	48		46	45	44	43			40	39	38	37	36			34	33				
						73			32	31	30	29	28					23	22	21	20									
SALEABLE	NOT APPLICABLE	34566-7523	0	A	BLACK									64		62	61			59	58	57	56	55	54					
						52	51			48	47	46	45		43		41	40						37			33			
						73			32		30	29		27	26	25	24									20				
SALEABLE	NOT APPLICABLE	34566-7533	0	G	BLUE	80	79	78							71	70			67											
						60	59	58	57			54			51	50	49	48	47		45	44			42	41				
						40	39		37	36		34	33	32		30	29	28	27		25	24	23	22	21					
SALEABLE	NOT APPLICABLE	34566-7543 SAME AS P/N 34566-1553	0	A	BLACK	20	19	18						13	12	11		9	8			5		3	2	1				
						73																								
SALEABLE	NOT APPLICABLE	34566-7553 SAME AS P/N 34566-1983	0	B	ST GRY																									
						73																								
SALEABLE	NOT APPLICABLE	34566-7563 SAME AS P/N 34566-1993	0	C	BLUE																									
						73																								
SALEABLE	NOT APPLICABLE	34566-7573	0	B	ST GRY	72		70		68						62	61							55						
						52				48	47	46			43		40													
						73					30								22	21	20	19	18	17						



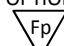
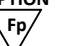

MX123 52/66/73/80-WAY RECEPTACLE ASSY SEALED PIN OUT SHEET

STATUS	GM PART #	HRNS CONN ASSY			TPA	GROMMET CAP																																				
		MATERIAL/PART	WIRE DRESS OPTION	KEY OPTION	COLOR OPTION	NUMBERS INDICATE CAVITIES OPEN FOR CIRCUITS																																				
		NUMBER																																								
SALEABLE	NOT APPLICABLE	34566-7583	9	A	BLACK	72								67								63					60	59	58	57												
						52								48	47	46									43	42				40	39	38	37									
						73									32	31	30	29	28	27													22	21							2	1
SALEABLE	NOT APPLICABLE	34566-7593	9	A	BLACK	72			70	69	68							64						62	61			59	58	57	56	55	54	53								
						52	51	50						48	47	46	45								43	41	40					37				35				33		
						73									32			30	29							26	25	24						20	19	18					17	
SALEABLE	TBD	34822-0093	9	A	BLACK		63	62	61	60	59													54	53			51		49	66											
							47																				38	37			35		33									
						65																28					25					22	21	20	19	18	17					
SALEABLE	TBD	34822-0103	0	A	BLACK		63																	54	53			51		49	66											
							47																				41	40			38	37			35		33					
						65															28	27	26	25								22									18	17
SALEABLE	TBD	34822-0113	9	A	BLACK					61	60	59	58															51		49	66											
						65																																				
SALEABLE	NOT APPLICABLE	34822-0123	9	C	BLUE	64	63	62	61	60																																
						48	47	46	45																																	
						65																																				
SALEABLE	NOT APPLICABLE	34566-7613	9	H	ST GRAY	80	79	78						75																												
						60	59		57																																	
						40	39		37	36																																
SALEABLE	NOT APPLICABLE	34566-7623	9	G	BLUE	80	79	78						75																												
						60	59	58	57																																	
						40	39		37	36																																
SALEABLE	TBD	34822-0133	0	C	BLUE	64	63	62	61	60																																
						48	47	46	45																																	
						65																																				
SALEABLE	NOT APPLICABLE	34566-7633	9	A	BLACK	72	71	70	69	68	67	66	65	64	63																											
						52	51	50	49	48	47	46	45	44	43	42	41	40	39	38	37	36	35	34																		
						73																																				
SALEABLE	NOT APPLICABLE	34566-7643	9	B	ST GRAY																																					
						73																																				
SALEABLE	TBD	34822-0143	0	A	BLACK					61	60	59	58																													
						65																																				
SALEABLE	NOT APPLICABLE	34566-7653	0	B	ST GRAY	72			70																																	
						52				48	47	46																														
						73																																				
SALEABLE	NOT APPLICABLE	34566-7663	0	B	ST GRAY	72			70																																	
						52				48	47	46																														
						73																																				
SALEABLE	NOT APPLICABLE	34566-7673	0	C	BLUE		71	70	69																																	
						52	51	50	49	48	47	46	45	44																												
						73																																				

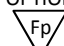
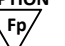

MX123 52/66/73/80-WAY RECEPTACLE ASSY SEALED PIN OUT SHEET

STATUS	GM PART #	HRNS CONN ASSY			TPA	GROMMET CAP																						
		MATERIAL/PART	WIRE DRESS OPTION	KEY OPTION 	COLOR OPTION 	NUMBERS INDICATE CAVITIES OPEN FOR CIRCUITS 																						
		NUMBER																										
SALEABLE	NOT APPLICABLE	34566-7683	9	B	ST GRY	72	71	70	69	68	67	66	65	64	63	62	61	60	59		57	56	55					
						52	51	50	49	48	47	46	45	44	43		41	40	39	38	37	36	35	34	33			
						73				32	31	30	29	28		26	25	24	23	22	21	20	19	18	17			
SALEABLE	NOT APPLICABLE	34566-7693	9	A	BLACK	72								64		62	61			57	56	55	54					
						52	51					46	45		43		40			37		35	34					
						73				32		30	29		27		25			20								
SALEABLE	NOT APPLICABLE	34566-7713	9	A	BLACK	72								64		62	61			58	57	56	55	54				
						52	51			48		46	45		43		41	40		37		35	34					
						73				32		30	29		27		25			20								
SALEABLE	NOT APPLICABLE	34566-7723	9	A	BLACK	72								64		62	61			57	56	55	54	53				
						52	51					46	45		43		40			37								
						73				32		30	29		27		25			20								
SALEABLE	NOT APPLICABLE	34566-7733	9	A	BLACK	72								64		62	61			58	57	56	55	54	53			
						52	51			48		46	45		43		41	40		37								
						73				32		30	29		27		25			20								
SALEABLE	NOT APPLICABLE	34566-7743	0	C	BLUE	72		70		68	67	66			63	62			59		57				53			
						52	51		49	48	47	46		44		41	40	39		37	36	35	34	33				
						73				32		30			27	26	25	24		22	21	20						
SALEABLE	NOT APPLICABLE	34566-7753	0	A	BLACK		71	70	69	68	67				64	63	62	61	60	59	58	57	56	55	54	53		
						52	51	50	49				45	44	43	42	41		39	38	37	36			19	18		
						73				32	31		29	28	27	26	25											
SALEABLE	NOT APPLICABLE	34566-7763	0	F	NATURAL																							
						73																						
SALEABLE	NOT APPLICABLE	34566-7773	0	B	ST GRY	72		70							63	62	61	60	59									
						52						46			43		41	40										
						73				32					27					22	21	20	19	18				
SALEABLE	TBD	34822-0153	9	A	BLACK		63	62	61	60	59					54	53		51		49	66						
							47								38	37		35		33								
						65								28			25			22	21	20	19	18	17			
SALEABLE	NOT APPLICABLE	34566-7783	0	A	BLACK	72	71	70	69	68								60			57	56		54				
						52	51	50	49	48		46	45	44	43	42	41	40	39	38	37	36		34				
						73				32	31	30	29	28		26	25		23	22	21							
SALEABLE	NOT APPLICABLE	34566-7793	0	A	BLACK	72		70			67	66	65			63			60	59	58	57	56	55				
						52	51		49	48	47	46	45		43	42		40	39	38	37	36	35					
						73								28	27				23	22	21						18	17
SALEABLE	NOT APPLICABLE	34566-7813	0	A	BLACK			70	69	68	67					63	62	61	60	59	58	57	56	55	54	53		
						52	51	50	49					44	43	42	41	40	39	38	37	36		34				
						73				32			29	28	27	26	25				21		19	18				
SALEABLE	NOT APPLICABLE	34566-7823	0	B	ST GRY	72				68	67				63	62	61	60	59									
						52				48	47	46		44	43		41	40		38	37	36	35					
						73						30			27					20	19	18						
SALEABLE	NOT APPLICABLE	34566-7833	0	B	ST GRY	72	71	70	69	68	67	66	65	64	63			61	60	59		57	56	55				
						52	51	50	49	48	47	46	45	44	43			41	40	39	38	37	36	35	34	33		
						73				32	31	30	29	28		26	25	24	23	22	21	20	19	18	17			

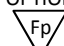
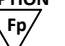

MX123 52/66/73/80-WAY RECEPTACLE ASSY SEALED PIN OUT SHEET

STATUS	GM PART #	HRNS CONN ASSY			TPA	GROMMET CAP																					
		MATERIAL/PART	WIRE DRESS OPTION	KEY OPTION 	COLOR OPTION 	NUMBERS INDICATE CAVITIES OPEN FOR CIRCUITS 																					
		NUMBER																									
SALEABLE	NOT APPLICABLE	34566-7843	9	C	BLUE	52	71	50	49	48	67	47	45	64	44	42	61	60	38	57	37	34	54	33			
						73				16	15	14	13	12	11	10	9							18			
						72	71	70	69		67	66		64												54	
SALEABLE	NOT APPLICABLE	34566-7853	9	C	BLUE	52	51	50	49		47	46		44				39	38								
						73						30	29	28	27	26	25	24	23	22	21				17		
						72					68	67	66			63	62			59		57				53	
SALEABLE	NOT APPLICABLE	34566-7863	9	C	BLUE	52	51			48	47	46		44			40	39		37	36	35	34	33			
						73				32		30			27	26	25	24		22	21						
											15	14				10	9	8		6	5	4				2	
SALEABLE	NOT APPLICABLE	34566-7873	9	A	BLACK		71		69				65	64			61	60		58		56	55	54			
								50				45		43	42				38					35			
						73					31		29	28					23					19	18	17	
SALEABLE	NOT APPLICABLE	34566-7883	9	A	BLACK	72				68	67	66	65					40		38		35		33			
										48	47								25	24	23	22	21	20	19	17	
						73					31	30						9	8	7	6	5	4		2	1	
SALEABLE	NOT APPLICABLE	34566-7893	9	A	BLACK	72	71	70	69	68		66	65	64	63		61	60			57	56		54	53		
						52	51	50	49	48		46	45	44	43	42		40	39	38	37	36		34	33		
						73				32	31	30	29	28					23	22	21	20					
SALEABLE	TBD	34822-0163	0	A	BLACK	64	63									54	53		51		49	66					
															38	37			35	33							
						65					15	14	13					8	7			4	3	2	1		
SALEABLE	NOT APPLICABLE	34566-7913	9	G	BLUE	80	79	78			75				71	70			67					61			
						60	59	58	57			54			51	50	49	48	47		45	44		42	41		
						40	39		37	36		34	33	32		30	29	28	27		25	24	23	22	21		
SALEABLE	NOT APPLICABLE	34566-7923	0	C	BLUE	20	19	18					13	12	11		9	8		5		3	2	1			
							71	70			67			64			61	60			57				54		
						52	51	50	49	48	47		45	44			41			37					34	33	
SALEABLE	NOT APPLICABLE	34566-7933	0	A	BLACK	73				32			28	27		25						18	17				
										16	15	14	13	12	11	10	9	8	7								
						72	71	70	69	68		66	65	64	63		61	60			57	56		54	53		
SALEABLE	NOT APPLICABLE	34566-7933	0	A	BLACK	52	51	50	49	48		46	45	44	43		40	39	38	37	36		34	33			
						73				32	31	30	29	28				23	22	21	20						
											15	14	13	12					7	6	5	4				2	
SALEABLE	NOT APPLICABLE	34566-7943	0	B	ST GRAY	72										62	61	60	59				55				
						52				48	47	46			43		41	40		38	37	36	35				
						73					31	30							22	21	20	19	18	17			
SALEABLE	NOT APPLICABLE	34566-7953	0	B	ST GRAY																						
										48	47	46			43		41	40		38	37	36	35				
						73					31	30							22	21	20	19	18	17			
SALEABLE	NOT APPLICABLE	34566-7963	9	A	BLACK																						
						72	71	70	69	68		66	65	64	63		61	60			57	56		54	53		
						52	51	50	49	48		46	45	44	43	42		40	39	38	37	36		34	33		
SALEABLE	NOT APPLICABLE	34566-7973	9	B	ST GRAY	73				32	31	30	29	28		26	25		23	22	21	20					
											15	14	13	12				9		7	6	5	4			2	
						72										62	61	60	59							55	
SALEABLE	NOT APPLICABLE	34566-7973	9	B	ST GRAY	52		50	49	48	47	46	45		43		41	40		38	37	36	35	34			
						73						30	29						22	21	20	19	18	17			
											16	15	14							6		4				1	
SALEABLE	NOT APPLICABLE	34566-7983	9	B	ST GRAY	72										62	61	60	59					55			
						52		50	49	48	47	46	45		43		41	40								34	33
						73						30	29							22	21	20	19	18	17		
					16	15	14								6		4										

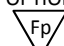
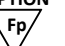

MX123 52/66/73/80-WAY RECEPTACLE ASSY SEALED PIN OUT SHEET

STATUS	GM PART #	HRNS CONN ASSY			TPA	GROMMET CAP																						
		MATERIAL/PART	WIRE DRESS OPTION	KEY OPTION 	COLOR OPTION 	NUMBERS INDICATE CAVITIES OPEN FOR CIRCUITS 																						
		NUMBER																										
SALEABLE	NOT APPLICABLE	34566-7993	9	C	BLUE	70	69			67	66			64			61	60			57			54				
						52	51	50	49	48	47	46	45	44			41						37			34	33	
						73			32				28	27			25										18	17
SALEABLE	NOT APPLICABLE	34566-8013	9	C	BLUE	71				67			65	64			61	60	59		57			54				
						52	51	50		48	47		45	44			41		39		37				34	33		
						73			32				28	27			25		23								18	
SALEABLE	TBD	34822-0173	9	A	BLACK	64						58	57	56	55	54		52		50			66					
						48		46	45	44	43	42	41	40			36		34									
						65			32	31	30	29		27	26		24	23										
SALEABLE	NOT APPLICABLE	34566-8023	9	C	BLUE	72			69	68					63	62			59			56	55		53			
												46				43	42		40	39					36	35		
						73				31	30	29				26		24	23	22	21	20	19					
SALEABLE	NOT APPLICABLE	34566-8033	9	B	ST GRY	71	70	69		67	66	65	64	63					58	57	56		54					
							51	50	49				45			42			39							34	33	
						73			32	31		29	28	27	26	25	24	23										
SALEABLE	NOT APPLICABLE	34566-8043	9	A	BLACK					67					62	61		59	58			55		53				
										47					42										35		33	
						73								27	26	25	24								20	19	18	17
SALEABLE	NOT APPLICABLE	34566-8053	9	A	BLACK	72				68	67	66						59										
												46					40		38						35		33	
						73				31						25		23	22	21	20	19						
SALEABLE	NOT APPLICABLE	34566-8063	9	C	BLUE	71		69				65	64			61	60			58		56	55	54				
								50				45		43	42				38					35				
						73				31		29	28					23							19	18	17	
SALEABLE	NOT APPLICABLE	34566-8073	9	B	ST GRY			69				65	64	63														
								49				45	44	43														
						73												23	22	21	20	19						
SALEABLE	NOT APPLICABLE	34566-8083	9	B	ST GRY										62			59	58					54	53			
															42			39										
						73								27				10	9									
SALEABLE	NOT APPLICABLE	34566-8093	9	A	BLACK	71		69	68			66	65	64		62	61							54	53			
								50	49			45	44			41										34	33	
						73			32	31	30	29			26	25	24	23						20	19			
SALEABLE	NOT APPLICABLE	34566-8113	9	C	BLUE				68						63	62	61	60	59	58	57		55		53			
									48					43	42	41	40			37	36	35					33	
						73			32					27			24				20	19	18					
SALEABLE	NOT APPLICABLE	34566-8123	0	G	BLUE	80	79					73	72		70	69	68	67	66	65	64		62	61				
												53	52						46						42	41		
									36	35	34										25	24	23	22	21			
SALEABLE	NOT APPLICABLE	34566-8133	0	G	BLUE				19			16	15	14														
						80	79	78	77			75			72	71	70	69	68		66							
						60	59	58	57	56	55		53		51	50	49	48	47	46	45	44						
SALEABLE	NOT APPLICABLE	34566-8143	0	G	BLUE	40	39		18	17					32	31	30	29	28		26		24	23	22	21		
						80	79	78	77	76	75	74	73	72		70	69	68	67	66	65	64	63	62	61			
SALEABLE	NOT APPLICABLE	34566-8143	0	G	BLUE	60	59	58	57	56	55	54	53	52	51	50		48	47	46	45	44	43	42	41			
						40	39	38	37	36	35	34	33	32	31	30	29	28	27	26	25	24	23	22	21			
						20	19	18	17	16	15	14	13	12	11	10	9	8	7	6	5	4	3	2	1			

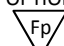
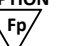

MX123 52/66/73/80-WAY RECEPTACLE ASSY SEALED PIN OUT SHEET

STATUS	GM PART #	HRNS CONN ASSY			TPA	GROMMET CAP																						
		MATERIAL/PART	WIRE DRESS OPTION	KEY OPTION 	COLOR OPTION 	NUMBERS INDICATE CAVITIES OPEN FOR CIRCUITS 																						
		NUMBER																										
SALEABLE	NOT APPLICABLE	34566-8153	0	C	BLUE	72	71	70	69	68	67	66	65	64	63	62	61	60	59	58	57	56	55					
						52	51	50								42	41									35	34	33
						73							28	27														18
SALEABLE	NOT APPLICABLE	34566-8163	9	B	ST GRAY					68	67			64	63			59	58				55	54				
											47	46	45	44	43			39	38							35		
						73					32	31	30	29	28	27			23	22							19	
SALEABLE	NOT APPLICABLE	34566-8173	0	B	ST GRAY			70		68	67				63	62	61	60	59									
						52						46			43		41	40										
						73									27						22	21	20	19	18			
SALEABLE	NOT APPLICABLE	34566-8183	9	H	ST GRAY																							
																		49										
SALEABLE	NOT APPLICABLE	34566-8193	0	G	BLUE		79	78	77	76	75	74			71				67		65		63					
						60	59	58	57	56	55	54			52				47		45		43					
						40		38	37					33	32	31	30	29		27	26							
SALEABLE	NOT APPLICABLE	34566-8213	0	H	ST GRAY							74	73						67		65	64	63	62	61			
														53	52								44	43	42	41		
								38						33						27		25						
SALEABLE	NOT APPLICABLE	34566-8223	9	A	BLACK	72											62	61		59		57		55				
						52	51											40						37				
						73					32			29				25								20		
SALEABLE	NOT APPLICABLE	34566-8233	9	G	BLUE				77	76	75	74	73	72		70	69	68		66	65	64	63	62	61			
										56	55		53	52						46	45		43	42				
								38	37	36	35	34			31					26				23	22	21		
SALEABLE	NOT APPLICABLE	34566-8243	9	G	BLUE	20	19			17	16	15	14	13		10			7	6		4			1			
										77		75	74	73	72		70	69	68		66	65	64	63	62	61		
										56	55		53	52						46	45		43	42				
SALEABLE	NOT APPLICABLE	34566-8253	9	G	BLUE					77	76	75	74	73	72		70	69	68		66	65	64	63	62	61		
										56	55		53	52					46	45		43	42					
								38	37	36	35	34			31					26				23	22	21		
SALEABLE	NOT APPLICABLE	34566-8263	9	G	BLUE					77	76	75	74	73	72		70	69	68		66	65	64	63	62	61		
										56	55		53	52					46	45		43	42					
								38	37	36	35	34			31					26				23	22	21		
SALEABLE	NOT APPLICABLE	34566-8273	9	G	BLUE					77	76	75	74	73	72		70	69	68		66	65	64	63	62	61		
										56	55		53	52					46	45		43	42					
								38	37	36	35	34			31					26				23	22	21		
SALEABLE	NOT APPLICABLE	34566-8283	9	G	BLUE	80	79	78							71				67									
						60	59	58	57			54			51	50	49	48	47				44				41	
						40	39							33	32		30	29	28	27			25	24				
SALEABLE	NOT APPLICABLE	34566-8293	9	A	BLACK																							
								71	70	69	68	67	66	65		63			60	59	58							
						73							31			28		26		24	23	22	21		19	18	17	
SALEABLE	NOT APPLICABLE	34566-8313	9	A	BLACK		71	70	69		67	66	65		63			60	59	58								
								50	49	48	47			44		42	41		39	38			36	35	34	33		
						73							31			28		26		24	23	22	21		19	18	17	

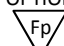
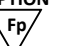

MX123 52/66/73/80-WAY RECEPTACLE ASSY SEALED PIN OUT SHEET

STATUS	GM PART #	HRNS CONN ASSY			TPA	GROMMET CAP																								
		MATERIAL/PART	WIRE DRESS OPTION	KEY OPTION 	COLOR OPTION 	NUMBERS INDICATE CAVITIES OPEN FOR CIRCUITS 																								
		NUMBER																												
SALEABLE	NOT APPLICABLE	34566-8323	9	A	BLACK		71	70	69	68	67	66	65		63			60						53						
								50	49		47			44			42			39	38			36			33			
						73					31			28		26			24	23	22	21			19	18	17			
SALEABLE	NOT APPLICABLE	34566-8333	9	A	BLACK		71	70	69	68	67	66	65		63			60						53						
								50	49	48	47			44		42	41		39	38			36			33				
						73					31			28		26			24	23	22	21			19	18	17			
SALEABLE	NOT APPLICABLE	34566-8343	9	A	BLACK		71	70	69	68	67	66	65		63			60	59					53						
								50	49		47			44		42			39	38			36	35	34	33				
						73					31			28		26			24	23	22	21			19	18	17			
SALEABLE	NOT APPLICABLE	34566-8353	9	A	BLACK		72								64		62	61					57	56	55	54	53			
						52	51					46	45		43		41	40							37					
						73					32		30	29		27		25								20				
SALEABLE	NOT APPLICABLE	34566-8363	9	A	BLACK		72								64		62	61					57	56	55	54	53			
						52	51					46	45		43		41	40							37					
						73					32		30	29		27		25								20				
SALEABLE	NOT APPLICABLE	34566-8373	9	A	BLACK		72								64		62	61					57	56	55	54	53			
						52	51					46	45		43		41	40							37					
						73					32		30	29		27		25								20				
SALEABLE	NOT APPLICABLE	34566-8383	9	A	BLACK		72								64		62	61					57	56	55	54	53			
						52	51					46	45		43		41	40							37					
						73					32		30	29		27		25								20				
SALEABLE	NOT APPLICABLE	34566-8393	0	A	BLACK		72		70						63	62							56	55	54	53				
						52	51		49	48					43										36	35	34	33		
						73					31	30	29	28	27			24	23	22	21					20	19	18	17	
SALEABLE	NOT APPLICABLE	34566-8413	0	A	BLACK		72		70						63	62							56	55	54	53				
						52	51		49	48					43										36	35	34	33		
						73					31	30	29	28	27			24	23	22	21					20	19	18	17	
SALEABLE	NOT APPLICABLE	34566-8423	0	C	BLUE				69		67				64		62	61	60				57			54				
						52	51	50	49	48			46	45	44		42	41							37			34	33	
						73					16	15	14	13	12	11	10	9	8	7										
SALEABLE	NOT APPLICABLE	34566-8433	0	H	ST GRAY		79	78	77	76	75	74	73													61				
						20															9					5			1	
SALEABLE	NOT APPLICABLE	34566-8443	0	C	BLUE		71	70			67	66	65	64			61	60	59	58	57					54				
						52	51	50		48	47		45	44		41		39	38	37							34	33		
						73					32			28	27		25		23									18	17	
SALEABLE	NOT APPLICABLE	34566-8453	0	A	BLACK		72	71	70	69	68		66	65	64	63			60				57	56		54				
						52	51	50	49	48		46	45	44	43	42			40	39	38	37	36				34			
						73					32	31	30	29	28						23	22	21	20					2	
SALEABLE	NOT APPLICABLE	34566-8463	0	B	ST GRAY		72		70		68						62	61	60	59					55					
						52				48	47	46		44	43		41	40							38	37	36	35		
						73								30												22	21	20	19	18
SALEABLE	NOT APPLICABLE	34566-8473	0	C	BLUE		71	70			67	66	65	64			62	61	60				58	57		55	54			
						52	51	50	49	48	47		45	44		42	41								38	37		35	34	33
						73					32			28	27	26	25											19	18	17


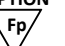

MX123 52/66/73/80-WAY RECEPTACLE ASSY SEALED PIN OUT SHEET

STATUS	GM PART #	HRNS CONN ASSY			TPA	GROMMET CAP																					
		MATERIAL/PART	WIRE DRESS OPTION	KEY OPTION 	COLOR OPTION 	NUMBERS INDICATE CAVITIES OPEN FOR CIRCUITS 																					
		NUMBER																									
SALEABLE	NOT APPLICABLE	34566-8483	0	A	BLACK	72	71	70	69	68		66	65	64	63		61	60			57	56		54	53		
						52	51	50	49	48		46	45	44	43	42		40	39	38	37	36		34	33		
						73			32	31	30	29	28					23	22	21	20						2
SALEABLE	NOT APPLICABLE	34566-8493	0	B	ST GRY	72		70		68	67					62	61	60	59			55					
						52				48	47	46		44	43		40									33	
						73					30							22	21	20	19	18	17				
SALEABLE	NOT APPLICABLE	34566-8513	9	A	BLACK	72	71	70	69	68		66	65	64	63		61	60			57	56		54	53		
						52	51	50	49	48		46	45	44	43		40	39	38	37	36		34	33			
						73			32	31	30	29	28				24	23	22								2
SALEABLE	NOT APPLICABLE	34566-8523	9	B	ST GRY	72		70		68						62	61					55					
						52				48	47	46		43			40										
						73					30							22	21	20	19	18	17				
SALEABLE	NOT APPLICABLE	34566-8533	9	C	BLUE			70			67	66	65	64		61	60			57			54				
						52	51	50	49	48	47		45	44		41			37						34	33	
						73			32				28	27		25										18	17
SALEABLE	NOT APPLICABLE	34566-8543	9	C	BLUE		71		69		67	66	65	64			60			57			54				
						52	51	50	49	48	47	46	45	44					37						34	33	
						73			32				28	27													
SALEABLE	NOT APPLICABLE	34566-8553	0	B	ST GRY	72				68						62	61	60	59			55					
						52						46		43		41	40										
						73												8	6	4							
SALEABLE	NOT APPLICABLE	34566-8563	0	A	BLACK	72		70			67				63		60	59	58	57	56	55					
						52	51			48	47	46		43	42		40	39	38	37	36	35					
						73							28					22	21							18	17
SALEABLE	NOT APPLICABLE	34566-8573	0	B	ST GRY	72	71	70	69	68	67	66	65	64	63		61	60	59		57	56	55				
						52	51	50	49	48	47	46	45	44	43		41	40	39	38	37	36	35			33	
						73			32	31	30	29	28		26		24	23	22	21	20	19					
SALEABLE	NOT APPLICABLE	34566-8583	0	C	BLUE	72	71	70	69		67	66	65	64			60				56		54				
						52	51	50	49		47	46	45	44			40	39	38						34		
						73				31	30	28		26	25	24	23	22	21								
SALEABLE	NOT APPLICABLE	34566-8593	0	B	ST GRY	72				68						62	61	60	59			55					
						52				48	47	46		43		41	40		38	37	36	35					
						73					30							8	6	4							
SALEABLE	TBD	34822-0183	0	A	BLACK	64	63	62	61	60	59					54	53		51		49	66					
																38	37		35		33						
						65												24	23	22	21	20	19	18	17		
SALEABLE	TBD	34822-0193	0	A	BLACK	64	63								54	53		51		49	66						
																38	37		35		33						
						65						28					24	23		21	20	19	18	17			
SALEABLE	TBD	34822-0203	0	A	BLACK	64	63	62	61	60	59					54	53		51		49	66					
																38	37		35		33						
						65				31			28				24	23	22	21	20	19	18	17			
SALEABLE	TBD	34822-0213	0	A	BLACK	64	63	62	61	60	59					54	53		51		49	66					
																38	37		35		33						
						65				31							24	23	22	21	20	19	18	17			

MX123 52/66/73/80-WAY RECEPTACLE ASSY SEALED PIN OUT SHEET

STATUS	GM PART #	HRNS CONN ASSY			TPA	GROMMET CAP																							
		MATERIAL/PART	WIRE DRESS OPTION	KEY OPTION 	COLOR OPTION 	NUMBERS INDICATE CAVITIES OPEN FOR CIRCUITS 																							
		NUMBER																											
SALEABLE	NOT APPLICABLE	34566-8613	0	C	BLUE	52	71	70			67	66	65	64			61	60	59	58	57			54					
										48	47			45	44			41		39	38	37			34	33			
						73				32				28	27			25		23						18	17		
SALEABLE	NOT APPLICABLE	34566-8623	9	C	BLUE					68			65		63	62	61		59	58	57	56	55		53				
										48			45		43	42	41					37	36	35	34	33			
						73				32	31													20	19	18			
SALEABLE	NOT APPLICABLE	34566-8633	0	B	ST GRY	72										62	61												
						52				48	47	46			43			40											
						73						30										22	21	20	19	18	17		
SALEABLE	NOT APPLICABLE	34566-8643	0	C	BLUE		71	70						64			61	60						54					
						52	51	50	49	48				45	44			41							37		34	33	
						73				32				28	27			25								18	17		
SALEABLE	NOT APPLICABLE	34566-8653	9	C	BLUE		71			69				64	63		61	60						57					
						52	51	50		48	47	46	45		43			41							37		34	33	
						73				16	15	14	13	12	11	10	9	8	7										
SALEABLE	NOT APPLICABLE	34566-8663	0	B	ST GRY	72	71	70	69					64	63		61	60				58	57	56	55				
						52	51	50	49						43								38	37	36			33	
						73				32		30	29	28		26	25	24	23	22	21	20							
SALEABLE	NOT APPLICABLE	34822-0223	0	A	BLACK	64	63	62	61	60	59					54	53		51		49								
																38	37			35								66	
						65					31			28					24	23	22	21	20	19	18	17			
SALEABLE	NOT APPLICABLE	34566-8673	0	F	NATURAL	72		70		68	67	66			63	62			59			57				53			
						52	51		49	48	47	46		44			41	40	39				37	36	35	34	33		
						73				32		30			27	26	25	24		22	21	20							
SALEABLE	NOT APPLICABLE	34566-8683	0	B	ST GRY	72		70		68	67	66			63	62			59			57				53			
						52	51		49	48	47	46		44			41	40	39				37	36	35	34	33		
						73				32		30			27	26	25	24		22	21	20							
SALEABLE	NOT APPLICABLE	34566-8693	0	A	BLACK	72		70		68	67	66			63	62			59			57				53			
						52	51		49	48	47	46		44			41	40	39				37	36	35	34	33		
						73				32		30			27	26	25	24		22	21	20							
SALEABLE	NOT APPLICABLE	34566-8713	9	B	ST GRY	72	71	70	69					64	63		61	60				58	57	56	55				
						52	51	50	49					43									38	37	36			33	
						73				32		30	29	28		26	25	24	23	22	21	20							
SALEABLE	NOT APPLICABLE	34566-8723	0	C	BLUE		71	70						66			64			61	60					54			
						52	51	50	49	48				45	44			41							37		34	33	
						73				32				28	27			25								18	17		
SALEABLE	NOT APPLICABLE	34566-8733	0	A	BLACK	72	71	70	69	68				66	65	64	63			60			57	56		54			
						52	51	50	49	48				46	45	44	43	42			40			39	38	37	36	34	
						73				32	31	30	29	28								23	22	21	20				
SALEABLE	NOT APPLICABLE	34566-8743	0	C	BLUE		71	70	69					67	66											54			
						52	51	50	49					47	46			44					39	38					
						73								30	29	28	27	26	25	24	23	22	21					17	
SALEABLE	NOT APPLICABLE	34566-8753	0	B	ST GRY	72	71	70	69	68	67	66	65	64	63			61	60				58	57	56	55	54	53	
						52	51	50	49	48	47	46	45	44	43			40							37	36	35	34	33
						73				32		30	29	28		26	25	24							21		19		
						16		14	13	12	11	10	9	8					6	5			2	1					

MX123 52/66/73/80-WAY RECEPTACLE ASSY SEALED PIN OUT SHEET

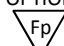
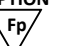

STATUS	GM PART #	HRNS CONN ASSY			TPA	GROMMET CAP																					
		MATERIAL/PART	WIRE DRESS OPTION	KEY OPTION 	COLOR OPTION 	NUMBERS INDICATE CAVITIES OPEN FOR CIRCUITS 																					
		NUMBER																									
SALEABLE	NOT APPLICABLE	34566-8763	0	A	BLACK	72	71	70				67	66						59	58	57	56	55	54	53		
						52	51	50				47	46							39		37	36	35		33	
						73			32	31	30	29	28	27	26						21					18	17
SALEABLE	12672857	34822-0243	9	A	BLACK	64	63	62	61	60	59					54	53		51		49	66					
							47									38	37		35		33						
						65							28				25	24		22	21			20	19	18	17
SALEABLE	NOT APPLICABLE	34822-0253	0	A	BLACK		63	62	61	60	59					54	53		51		49	66					
															38	37		35		33							
						65							28				24	23	22	21			20	19	18	17	
SALEABLE	NOT APPLICABLE	34822-0263	9	C	BLUE	64	63	62		60	59			56	55	54	53	52	51	50	49	66					
						48	47	46	45				42			39		37	36	35	34	33					
						65			32		30	29	28	27	26	25	24	23	22	21					19	18	17
SALEABLE	NOT APPLICABLE	34822-0273	9	A	BLACK	64	63									54	53		51		49	66					
							47								38	37		35		33							
						65							28				8	7			22			20	19	18	17
SALEABLE	NOT APPLICABLE	34822-0283	0	A	BLACK				61	60	59	58		56	55				51		49	66					
													42														
						65			32																		17
SALEABLE	NOT APPLICABLE	34822-0293	0	A	BLACK	64	63									54	53		51		49	66					
							47								38	37		35		33							
						65							28						22			20	19	18	17		
SALEABLE	NOT APPLICABLE	34566-8773	9	B	ST GRAY	72		70		68						62	61	60	59								
						52				48	47	46			43			40									
						73			16	15	14							8		6	21	20	19	18	17		
SALEABLE	NOT APPLICABLE	34566-8783	9	A	BLACK	72	71	70	69	68		66	65	64	63		61	60			57	56		54	53		
						52	51	50	49	48		46	45	44	43			40	39	38	37	36			34	33	
						73			32	31	30	29	28						23	22	21						
SALEABLE	NOT APPLICABLE	34566-8793	9	C	BLUE		71	70			67	66	65				61	60			57			54			
						52	51	50	49	48	47		45	44			41			37					34	33	
						73			32				28	27		25										18	17
SALEABLE	NOT APPLICABLE	34566-8813	9	B	ST GRAY	72	71	70	69	68	67		65	64	63		61	60	59		57	56	55	54	53		
						52	51	50	49	48	47	46	45	44	43	42		40	39			36	35	34	33		
						73			32	31	30	29	28	27	26	25	24	23	22	21							
SALEABLE	NOT APPLICABLE	34566-8823	9	C	BLUE		71	70	69		67	66		64				60						54			
						52	51	50	49		47	46		44			40	39									
						73					30	29	28	27	26	25	24	23	22	21							17
SALEABLE	NOT APPLICABLE	34566-8833	9	C	BLUE			70		68	67	66			63	62			59		57			54	53		
						52	51		49	48	47	46		44			41	40	39		37	36	35	34	33		
						73			32		30			27	26	25	24		22	21	20					2	1
SALEABLE	NOT APPLICABLE	34566-8843	0	C	BLUE			70	69		67	66		64										54			
						52	51	50	49		47	46		44			41		39	38							
						73					30	29	28	27	26	25	24	23	22	21							17
SALEABLE	NOT APPLICABLE	34566-8853	0	B	ST GRAY	72				68	67				63	62	61	60	59				55				
						52				48	47	46		44	43		41	40		38	37	36	35				
						73					30			27					22	21	20	19	18				




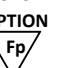

MX123 52/66/73/80-WAY RECEPTACLE ASSY SEALED PIN OUT SHEET

STATUS	GM PART #	HRNS CONN ASSY			TPA	GROMMET CAP																					
		MATERIAL/PART	WIRE DRESS OPTION	KEY OPTION ∇ Fp		COLOR OPTION ∇ Fp	NUMBERS INDICATE CAVITIES OPEN FOR CIRCUITS																				
		NUMBER					∇ Fp																				
SALEABLE	NOT APPLICABLE	34566-8863	0	B	ST GRY	72	71	70	69					64	63		61			58	57	56	55				
						52	51	50	49						43						38	37	36				33
						73				32			30	29	28		26	25	24	23	22	21	20				
SALEABLE	NOT APPLICABLE	34566-8873	0	B	ST GRY	72	71	70	69					64	63		61			58	57	56	55				
						52	51	50	49						43					38	37	36				33	
						73				32	31	30	29	28		26	25	24	23	22	21	20					
SALEABLE	NOT APPLICABLE	34566-8883	0	B	ST GRY	72	71	70	69	68	67	66	65	64	63		61	60	59	58	57	56	55				
						52	51	50	49	48	47	46	45	44	43		41	40	39	38	37	36	35	34	33		
						73				32	31	30	29	28	27	26	25	24	23	22	21	20	19	18	17		
SALEABLE	NOT APPLICABLE	34566-8893	0	A	BLACK	72		70		68	67	66	65	64	63		61	60	59	58	57	56	55				
						52	51		49	48	47	46	45		43	42		40	39	38	37	36	35				
						73									28	27			23	22	21				18	17	
SALEABLE	NOT APPLICABLE	34566-8913	0	A	BLACK	72	71	70	69	68		66	65	64	63		60			57	56				54		
						52	51	50	49	48		46	45	44	43	42	41	40	39	38	37	36				34	
						73				32	31	30	29	28					23	22	21						2
SALEABLE	NOT APPLICABLE	34566-8923	0	A	BLACK		71	70	69	68	67			64	63	62	61	60	59		57	56	55	54	53		
						52	51	50	49			46	45	44	43	42	41	40	39	38	37	36			34		
						73				32			29	28	27	26	25				21			18			
SALEABLE	NOT APPLICABLE	34566-8933	0	C	BLUE	72	71		69	68		66	65		63			59	58		56			53			
														43				39	38		36						
						73						31	30	29				24	23	22	21	20			3	2	1
SALEABLE	NOT APPLICABLE	34566-8943	0	B	ST GRY	72				68					62	61								55			
						52						46			43			40									
						73				16	15	14						8	6	21	20	19	18	17			
SALEABLE	NOT APPLICABLE	34566-8953	9	C	BLUE	72	71	70	69		67	66		64			60								54		
						52	51	50	49		47	46		44			40	39	38								
						73						30	29	28	27	26	25	24	23	22	21			17			
SALEABLE	NOT APPLICABLE	34566-8963	0	B	ST GRY	72				48	47	46				62	61	60	59					55			
						52				48	47	46		43		41	40		38	37	36	35					
						73						30							22	21	20	19	18	17			
SALEABLE	NOT APPLICABLE	34566-8973	0	A	BLACK	72	71	70	69	68		66	65	64	63		60			57	56				54		
						52	51	50	49	48		46	45	44	43	42		40	39	38	37	36				34	
						73				32	31	30	29	28					23	22	21						2
SALEABLE	NOT APPLICABLE	34566-8983	0	C	BLUE		71	70			67	66		64			61	60		57				54			
						52	51	50	49	48	47		45	44		41			37					34	33		
						73				32				28	27		25							18	17		
SALEABLE	NOT APPLICABLE	34822-0303	0	A	BLACK																		66				
						65																					
SALEABLE	NOT APPLICABLE	34822-0313	0	A	BLACK		63	62	61	60	59				54	53			49	66							
						65									31	28		24	23	22	21	20	19	18	17		
SALEABLE	NOT APPLICABLE	34566-8993	0	B	ST GRY										62			58									
						73									66			41		38	37				19	18	17
																	5						1				

MX123 52/66/73/80-WAY RECEPTACLE ASSY SEALED PIN OUT SHEET

STATUS	GM PART #	HRNS CONN ASSY			TPA	GROMMET CAP																				
		MATERIAL/PART	WIRE DRESS OPTION	KEY OPTION 	COLOR OPTION 	NUMBERS INDICATE CAVITIES OPEN FOR CIRCUITS 																				
		NUMBER																								
SALEABLE	NOT APPLICABLE	34566-9143	9	F	NATURAL	72	71	70			67	66	65	64	63	62	61	60	59			56	55	54	53	
						52	51	50	49	48	47	46	45	44		41	40	39					36	35	34	
						73				32	31		29	28	27	26	25	24	23	22	21	20				
SALEABLE	NOT APPLICABLE	34566-9153	9	B	ST GRY						66					62			58							
															41			38	37							
						73												8		5			20	19	18	17
SALEABLE	NOT APPLICABLE	34566-9163	9	B	ST GRY					68	67	66	65			62		60	59				54	53		
										48	47	46	45	44		42	41	40	39				35	34		
						73					31			27										19	18	17
SALEABLE	NOT APPLICABLE	34566-9173	0	B	ST GRY							65				62			58							
															41			38	37							
						73														5				19	18	17
SALEABLE	NOT APPLICABLE	34822-0363	9	C	BLUE				61			58														
										44	43		41	40		38							20			
						65					31									5			4			
SALEABLE	NOT APPLICABLE	34822-0373	9	A	BLACK	64	63	62	61	60					55			52	51		49					
						48	47	46	45							38										
						65					32		30	29		27					22	21		20	19	18
SALEABLE	NOT APPLICABLE	34822-0383	9	A	BLACK	64	63	62	61	60			57				52	51		49						
						48	47	46	45				40													
						65					32		30	29		27					22	21		20	19	18
SALEABLE	NOT APPLICABLE	34822-0393	0	A	BLACK	64	63	62	61	60			57				52	51		49						
						48	47	46	45				40													
						65					32		30	29		27					22	21		20	19	18
SALEABLE	NOT APPLICABLE	34822-0403	9	A	BLACK	64	63								54	53		51		49						
															38	37		35		33						
						65					31			28						22			20	19	18	17
SALEABLE	NOT APPLICABLE	34822-0413	0	A	BLACK	64	63								54	53		51		49						
															38	37		35		33						
						65					15	14	13	12					8	7			20	19	18	17
SALEABLE	NOT APPLICABLE	34822-0423	9	A	BLACK						59	58	57	56		54	53		50							
										44	43	42	41	40	39		37	36	35	34	33					
						65					16	15	14	13					9	8	7	6				
SALEABLE	NOT APPLICABLE	34566-9183	9	B	ST GRY	72	71	70	69	68	67		65	64	63	62	61	60	59		57	56	55	54	53	
						52	51	50	49	48	47	46	45	44	43	42		40	39				36	35	34	33
						73				32	31	30	29	28	27	26	25	24	23	22	21				19	
SALEABLE	NOT APPLICABLE	34566-9193	9	F	NATURAL				69	68						43	42			58	57					
																						38	37			33
						73																			19	18
SALEABLE	NOT APPLICABLE	34822-0433	0	A	BLACK	64	63	62		60	59		57	56	55	54	53	52	51	50	49					
						48	47	46	45				42			39			37	36	35	34	33			
						65					32		30	29	28	27	26	25	24	23	22	21		20	19	18
SALEABLE	NOT APPLICABLE	34822-0443	0	A	BLACK	64	63	62		60	59		57	56	55	54	53	52	51	50	49					
						48	47	46	45				42			39			37	36	35	34	33			
						65					32	31	30	29	28	27	26	25	24	23	22	21		20	19	18


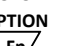
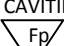
MX123 52/66/73/80-WAY RECEPTACLE ASSY SEALED PIN OUT SHEET

STATUS	GM PART #	HRNS CONN ASSY			TPA	GROMMET CAP																									
		MATERIAL/PART	WIRE DRESS OPTION	KEY OPTION 	COLOR OPTION 	NUMBERS INDICATE CAVITIES OPEN FOR CIRCUITS 																									
		NUMBER																													
SALEABLE	NOT APPLICABLE	34822-0453	0	A	BLACK							59	58	57	56		54	53			50		66								
									44	43	42	41	40	39																	
						65																									
SALEABLE	NOT APPLICABLE	34566-9213	0	B	ST GRY					68	67	66	65	64							59	58	57		55	54	53				
							51	50	49	48			46	45		43	42	41	40	39	38	37					35		33		
						73																						20			
SALEABLE	NOT APPLICABLE	34566-9223	9	B	ST GRY		72											62	61	60	59				55						
							52						48	47	46																
						73																									
SALEABLE	NOT APPLICABLE	34566-9233	9	C	BLUE			71										61	60	59		57			54						
							52	51	50				48	47		45	44												34	33	
						73																									18
SALEABLE	NOT APPLICABLE	34566-9243	9	B	ST GRY		72	71	70	69							64	63		61				58	57	56	55				
							52	51	50	49								43													33
						73																									
SALEABLE	NOT APPLICABLE	34566-9253	9	B	ST GRY		72	71	70	69	68	67			65	64	63	62	61	60	59			57	56	55	54	53			
							52	51	50	49	48	47	46	45	44	43	42														33
						73																									
SALEABLE	NOT APPLICABLE	34566-9263	9	B	ST GRY		72				68								62	61	60	59				55					
							52								46																
						73																									
SALEABLE	NOT APPLICABLE	34822-0463	0	A	BLACK		64	63	62		60	59			57	56	55	54	53	52	51	50	49	66							
							48	47	46	45																					
						65																									
SALEABLE	NOT APPLICABLE	34822-0473	9	C	BLUE		64	63	62		60	59			57	56	55	54	53			51		49	66						
							48	47	46	45																					
						65																									
SALEABLE	NOT APPLICABLE	34822-0483	9	A	BLACK		64	63										54	53			51		49	66						
						65																									
SALEABLE	NOT APPLICABLE	34566-9273	9	B	ST GRY		72	71	70	69	68	67			65	64	63			61	60	59		57	56	55	54	53			
									50	49	48	47	46			44	43	42												33	
						73																									
SALEABLE	NOT APPLICABLE	34822-0493	0	C	BLUE		64	63	62		60	59			57	56	55	54	53	52	51	50	49	66							
							48	47	46	45																					
						65																									
SALEABLE	NOT APPLICABLE	34566-9283	9	G	BLUE		80	79	78										71			67									
							60	59	58	57				54						51	50	49	48	47					44		41
							40	39		37						33	32				30	29	28	27						25	24
SALEABLE	NOT APPLICABLE	34566-9293	9	G	BLUE				18																						
							80	79	78																						
							60	59	58	57				54							51	50	49	48	47					44	
SALEABLE	NOT APPLICABLE	34566-9313	9	A	BLACK		72									64						58	57	56	55	54	53				
							52	51					48			46	45														
						73																									

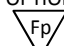
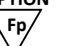

MX123 52/66/73/80-WAY RECEPTACLE ASSY SEALED PIN OUT SHEET

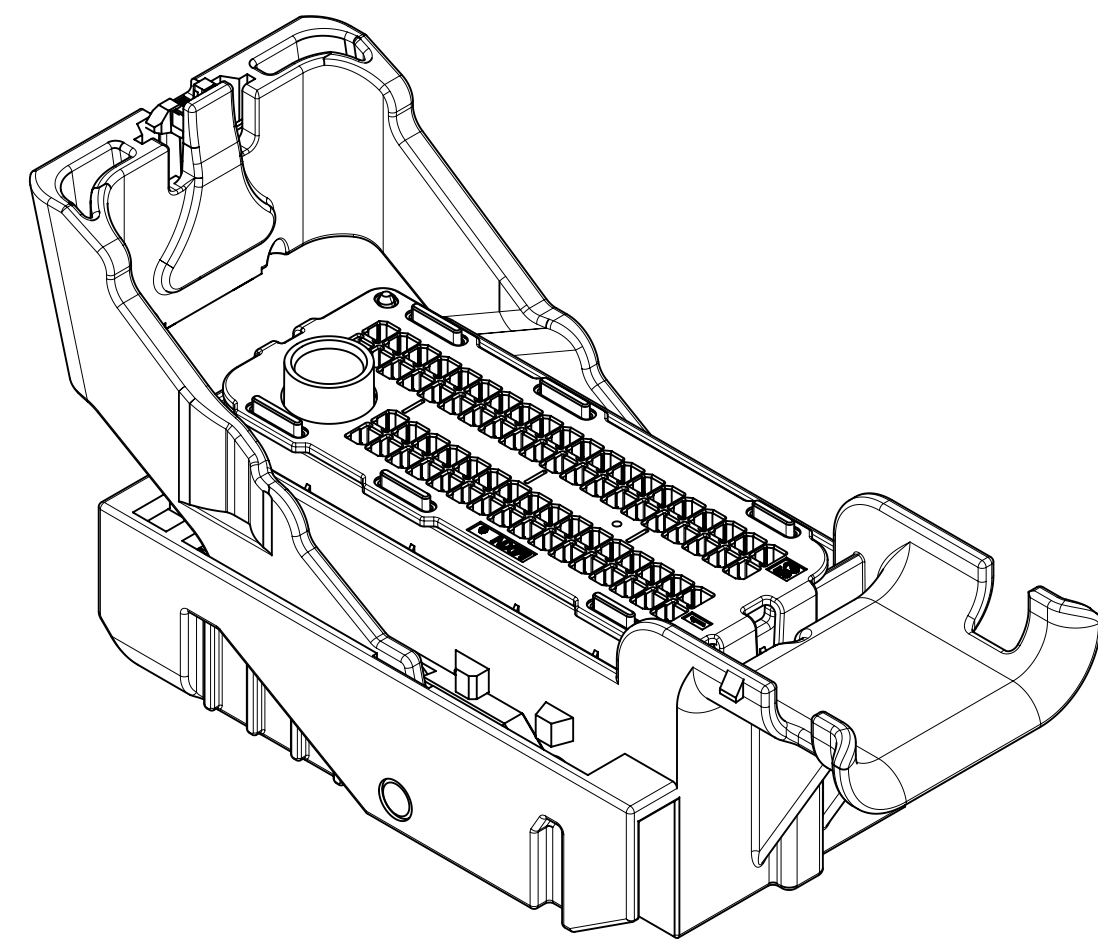
STATUS	GM PART #	HRNS CONN ASSY			TPA	GROMMET CAP																						
		MATERIAL/PART	WIRE DRESS OPTION	KEY OPTION	COLOR OPTION	NUMBERS INDICATE CAVITIES OPEN FOR CIRCUITS																						
		NUMBER																										
SALEABLE	NOT APPLICABLE	34566-9323	9	A	BLACK	72								64		62	61		59	58	57	56	55	54	53			
						52	51			48		46	45		43		41	40						37		35	34	
						73			32		30	29		27		25									20			
SALEABLE	NOT APPLICABLE	34566-9333	9	A	BLACK	72								64		62	61		59	58	57	56	55	54				
						52	51			48		46	45		43		41	40						37		35	34	
						73			32		30	29		27		25									20			
SALEABLE	NOT APPLICABLE	34566-9343	9	C	BLUE	72		70	69	68		66			63	62				58			56	55		53		
									49			46			43	42		40			38			36	35			
						73					31	30	29			26		24			22	21			20	19		17
SALEABLE	NOT APPLICABLE	34822-0503	0	A	BLACK	64			62	61	60	59	58			54	53		51									
						48	47								38	37	36			34								
						65							30	29	28		26		24			21						
SALEABLE	NOT APPLICABLE	34822-0513	9	A	BLACK		63	62	61		59				54	53				49								
														38	37		35		33									
						65					31			28				24		22	21			20	19	18	17	
SALEABLE	NOT APPLICABLE	34566-9353	9	A	BLACK	72								64		62	61				58	57	56	55	54	53		
						52	51			48		46	45		43		41	40						37		35	34	
						73			32		30	29		27		25									20			
SALEABLE	NOT APPLICABLE	34566-9363	9	A	BLACK	72								64		62	61				57	56	55	54	53			
						52	51					46	45		43		41	40						37		35	34	
						73			32		30	29		27		25									20			
SALEABLE	NOT APPLICABLE	34566-9373	9	G	BLUE	80														66			64					
							59		57										49									
							39											30										
SALEABLE	NOT APPLICABLE	34566-9383	9	A	BLACK	72	71	70	69	68				64	63	62	61		59	58	57	56	55	54	53			
						52	51	50		48	47	46	45	44	43		41	40	39	38	37			35	34	33		
						73			32		30	29		27	26	25	24								20	19	18	17
SALEABLE	NOT APPLICABLE	34566-9393	0	B	ST GRAY	72	71	70	69	68	67		65	64	63		61	60	59		57	56	55	54	53			
						52	51	50	49	48	47	46	45	44	43	42		40	39		37	36	35	34	33			
						73			32	31	30	29	28	27	26	25	24	23	22	21					20			
SALEABLE	NOT APPLICABLE	34566-9413	9	H	ST GRAY																							
SALEABLE	NOT APPLICABLE	34566-9423	0	A	BLACK	72	71	70			67	66								58	57	56	55	54	53			
						52	51	50			47	46									39		37	36	35		33	
						73			32	31	30	29	28	27	26												18	17
SALEABLE	NOT APPLICABLE	34566-9433	0	B	ST GRAY	72	71	70	69	68	67	66	65	64	63		61			58	57	56	55	54	53			
						52	51	50	49	48	47	46	45	44				40	39		37	36	35	34	33			
						73			16		14	13	12		10	9	8		6	5							2	1
SALEABLE	NOT APPLICABLE	34566-9443	9	B	ST GRAY	72	71	70	69	68	67		65	64	63	62	61	60	59		57	56	55	54	53			
								50	49	48	47	46		44	43	42		40	39				36	35	34	33		
						73			32	31	30	29	28	27	26	25	24	23	22	21								
SALEABLE	NOT APPLICABLE	34566-9453	0	A	BLACK	72	71	70	69		67			64			61	60	59		57	56	55	54	53			
						52	51			48			45	44			41	40	39	38	37			36	35	34		
						73					31	30	29		27	26	25			22						19	18	

MX123 52/66/73/80-WAY RECEPTACLE ASSY SEALED PIN OUT SHEET

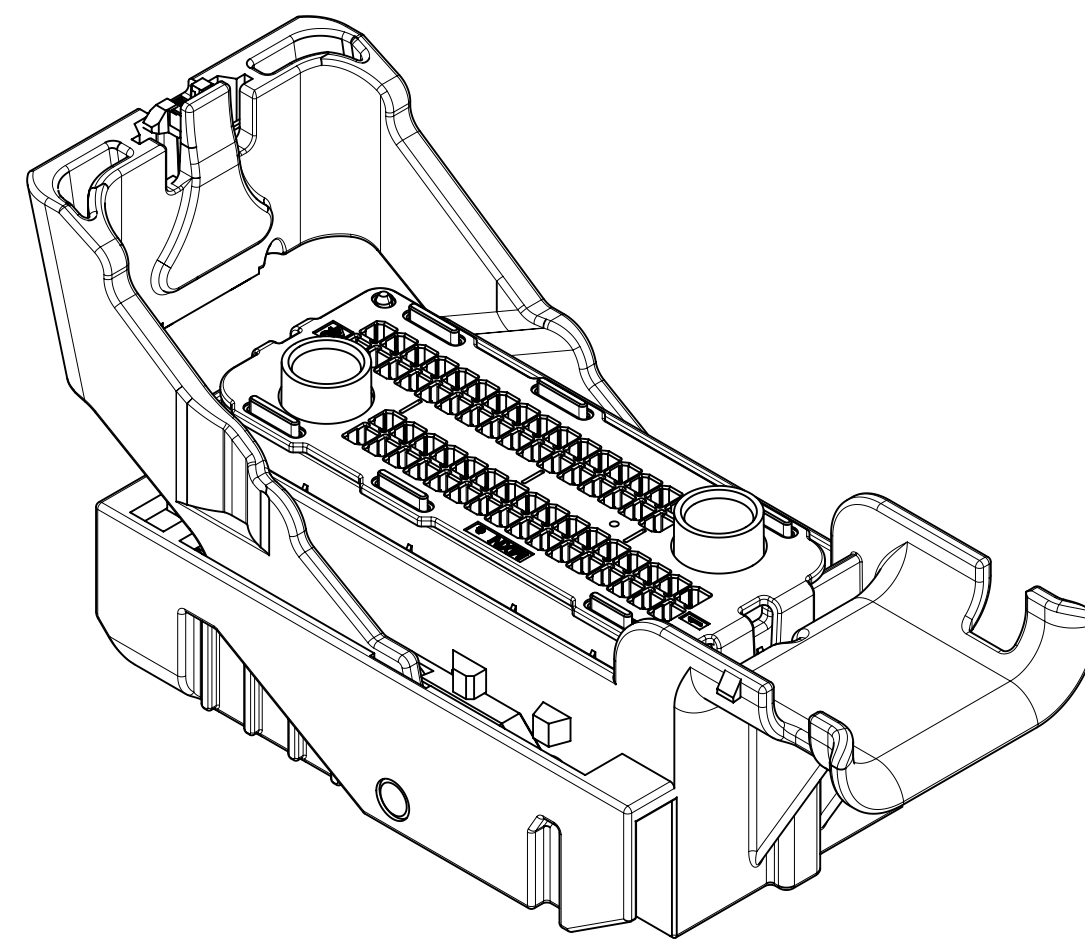
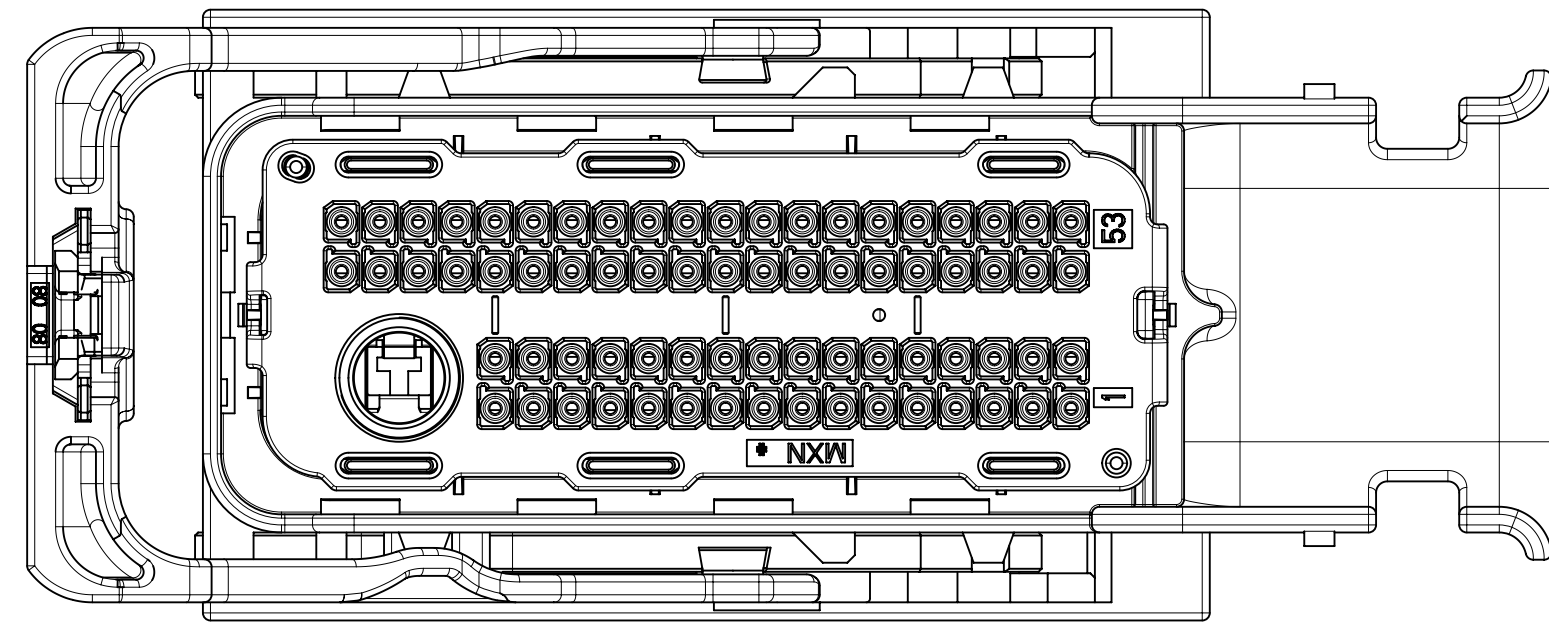
STATUS	GM PART #	HRNS CONN ASSY			TPA	GROMMET CAP																										
		MATERIAL/PART	WIRE DRESS OPTION	KEY OPTION 	COLOR OPTION 	NUMBERS INDICATE CAVITIES OPEN FOR CIRCUITS																										
		NUMBER																														
SALEABLE	NOT APPLICABLE	34566-9463	0	G	BLUE	80	79	78													66	65	64									
							59							75										46			43	42	41			
								39	38	37				35						30					26	25	24			22	21	
SALEABLE	NOT APPLICABLE	34566-9473	0	G	BLUE	80	79	78														66	65	64								
							59									53								46				43	42	41		
								39	38	37				35						30					26	25	24			22	21	
SALEABLE	NOT APPLICABLE	34566-9483	0	G	BLUE	80	79	78														66	65	64								
							59																	46				43	42	41		
								39	38	37				35						30					26	25	24			22	21	
SALEABLE	NOT APPLICABLE	34566-9493	0	G	BLUE	80	79	78														66	65	64								
							59																	46				43	42	41		
								39	38	37				35						30					26	25	24			22	21	
SALEABLE	NOT APPLICABLE	34566-9513	0	G	BLUE	80	79	78	77	76	75	74	73	72	71	70	69	68	67	66	65	64	63	62	61							
							59	58	57	56	55	54	53	52	51	50	49	48		46				43	42	41						
								39	38	37				35						30					26	25	24			22	21	
SALEABLE	NOT APPLICABLE	34566-9523	0	G	BLUE	80	79	78														66	65	64								
							59																	46				43	42	41		
								39	38	37				35						30					26	25	24			22	21	
SALEABLE	NOT APPLICABLE	34822-0523	0	C	BLUE	64	63	62		60	59		57	56	55	54	53	52	51	50	49	66										
						48	47	46	45					42				39	37	36	35	34	33					19	18	17		
						65								32		30	29	28	27	26	25	24	23	22					3	2	1	
SALEABLE	NOT APPLICABLE	34566-9543	0	A	BLACK																											
									49	48	47	46	45	44	43					40				38	37	36			34			
						73								32	31		29	28	27		25	24	23	22			20	19	18	17		
SALEABLE	NOT APPLICABLE	34566-9553	0	C	BLUE																											
						73								32		30	29	28	27	26	25	24	23	22				19	18	17		
SALEABLE	NOT APPLICABLE	34566-9563	0	C	BLUE	72	71	70	69													60			56							
						52	51	50	49	48	47	46	45	44									40	39	38				34			
						73								31	30		28		26	25	24	23	22	21	20					17		
SALEABLE	NOT APPLICABLE	34566-9573	0	B	ST GRY	72	71	70	69	68	67																					
						52	51	50	49	48	47	46	45	44	43	42							40	39			36	35	34	33		
						73								32	31	30	29	28	27	26	25	24	23	22	21							
SALEABLE	NOT APPLICABLE	34566-9583	0	B	ST GRY	72	71	70	69	68	67	66	65	64	63																	
						52	51	50	49	48	47	46	45	44	43								40	39	38	37	36	35	34	33		
						73								32	31	30	29	28		26		24	23	22	21	20	19	18	17			
SALEABLE	NOT APPLICABLE	34566-9593	0	A	BLACK			70																								
						52	51			48	47													40	39	38	37	36	35			
						73												28	27											18	17	
SALEABLE	NOT APPLICABLE	34566-9613	0	C	BLUE		71	70	69																							
						52	51	50	49															40	39				34			
						73								31	30		28		26	25	24	23	22	21	20	19	18	17				
SALEABLE	NOT APPLICABLE	34566-9623	9	B	ST GRY	72	71	70																								
						52	51	50																40	39			38	37	36		
						73								32		30	29	28		26	25	24	23	22	21	20						

MX123 52/66/73/80-WAY RECEPTACLE ASSY SEALED PIN OUT SHEET

STATUS	GM PART #	HRNS CONN ASSY			TPA	GROMMET CAP																				
		MATERIAL/PART	WIRE DRESS OPTION	KEY OPTION 	COLOR OPTION 	NUMBERS INDICATE CAVITIES OPEN FOR CIRCUITS 																				
		NUMBER																								
SALEABLE	NOT APPLICABLE	34566-9633	9	B	ST GRY	72	71	70	69	68	67		65	64	63		61	60	59		57	56	55	54	53	
						52	51	50	49	48	47	46	45	44	43	42		40	39			36	35	34	33	
						73				32	31	30	29	28	27	26	25	24	23	22	21	20			3	2
SALEABLE	NOT APPLICABLE	34566-9643	9	A	BLACK				69					64	63		61		59							
						52				48				44	43		41		39	38			35	34		
						73						30	29				10				5			2		
SALEABLE	NOT APPLICABLE	34566-9653	9	G	BLUE	80													66	65						
							59		57																	
							39									30										
SALEABLE	NOT APPLICABLE	34566-9663	0	B	ST GRY	72	71	70	69	68	67	66	65	64	63		61			58	57	56	55	54	53	
						52	51	50	49	48	47	46	45	44				40			37	36	35	34	33	
						73				32		30	29	28		26	25	24		21					2	1
SALEABLE	NOT APPLICABLE	34822-0533	9	C	BLUE	64	63			60	59		57	56	55		53	52	51	50	49	66				
						48	47	46	45			42		39	38		36	35	34	33			20		18	17
						65				32		30	29	28	27	26	25	24	23	22				3	2	1
SALEABLE	NOT APPLICABLE	34822-0543	0	A	BLACK	64	63	62	61	60	59					54	53		51		49	66				
							47								38	37		35		33			20	19	18	17
						65							28			25	24		22	21	20	19	18	17		
SALEABLE	NOT APPLICABLE	34822-0553	0	A	BLACK	64	63								54	53		51		49	66					
														38	37		35		33			20	19	18	17	
						65					31		28				24	23		21	20	19	18	17		
SALEABLE	NOT APPLICABLE	34822-0563	0	C	BLUE	64	63	62		60	59		57	56	55	54	53	52	51	50	49	66				
						48	47	46	45			42		39		37	36	35	34	33				19	18	17
						65				32		30	29	28	27	26	25	24	23	22				3	2	1
SALEABLE	NOT APPLICABLE	34566-9673	0	C	BLUE	72	71	70	69		67	66	65	64				60			56			54		
						52	51	50	49		47	46	45	44				40	39	38				34		
						73					31	30		28		26	25	24	23	22	21	20			17	
SALEABLE	NOT APPLICABLE	34566-9683	0	B	ST GRY	72	71	70	69	68	67	66	65	64	63		61	60			57	56	55	54		
						52	51	50	49	48	47	46	45	44	43		41	40			38	37	36	35		33
						73				32	31	30	29	28		26	25	24	23	22	21	20	19			
SALEABLE	NOT APPLICABLE	34566-9693	0	A	BLACK	72		70			67				63			60	59	58	57	56	55		53	
						52	51			48	47				43	42		40	39	38	37	36	35			33
						73								28												18
SALEABLE	NOT APPLICABLE	34566-9713	0	B	ST GRY					68	67	66	65	64					59	58	57		55	54	53	
							51	50	49	48		46	45		43	42		40	39	38	37			35		33
						73				32	31	30				26		24	23	22		20				
SALEABLE	NOT APPLICABLE	34566-9723	0	B	ST GRY	72	71	70	69	68	67	66	65	64	63		61			58	57	56	55			
						52	51	50	49	48	47	46	45	44	43		41	40			37	36				
						73				32		30	29	28		26	25	24		21		19				
SALEABLE	NOT APPLICABLE	34566-9733	0	A	BLACK	72	71	70			67	66						59							53	
						52	51	50			47	46						39		37		35				33
						73						30	29	28	27	26		21						3		1
SALEABLE	NOT APPLICABLE	34822-0573	0	A	BLACK	64	63								54	53		51		49	66					
															38	37		35		33			20	19	18	17
						65							28			24		22					4	3	2	1



73 CKT
SCALE 3:2



66 CKT
SCALE 3:2

NOTES: UNLESS OTHERWISE SPECIFIED

1. MATERIAL:

- A. RESIN: SEE COMPONENT DRAWINGS
- B. COLOR: SEE TABLE

2. DESIGN - GENERAL:

A. THIS IS A 100% CAD GENERATED PART. THE CAD MATHEMATICAL DATA IS THE MASTER FOR THIS PART. FOR DIMENSIONAL OR ANY INFORMATION NOT SHOWN ON THIS DRAWING, ANALYZE THE CAD MODEL.

B. TOLERANCES:

- a. LINEAR X.X ± 0.30
X.XX ± 0.10
X.XXX ± 0.10
- b. ANGULAR X° ± 3.0°

C. CORNERS SHOWN AS SHARP TO BE R 0.2 MAX.

D. FOLLOWING PRODUCTION CODES TO BE PERMANENTLY MARKED & HUMAN READABLE TO A LETTER HEIGHT < 3mm.

LINE #1: MATERIAL #:XXXX-XXXX

LINE #2: DATE CODE: JJJY (JULIAN DAY, LAST DIGIT OF YEAR)

LINE #3: INSPECTION MACHINE CODE + SERIAL #: X_XXXX

E-1. PARTS MUST BE FREE OF DISCOLORATION, SALT RESIDUE AND OTHER IMPERFECTIONS THAT AFFECT FIT OR FUNCTION.

E-2. SCRATCHES OR DENTS NOT TO EXCEED 0.13mm IN DEPTH.

F. CHANGES IN DESIGN FROM PART PREVIOUSLY APPROVED REQUIRES PRIOR ENGINEERING APPROVAL. THIS INCLUDES BUT IS NOT LIMITED TO DRAFT, MATERIAL OR PROCESSING.

G. SHALL CONFORM TO THE FOLLOWING PACKAGING SPECIFICATION : PK-31300-019

3. DESIGN - MANUFACTURING:

A. DRAFT TO BE WITHIN TOLERANCE.

B. ALLOWABLE FLASH 0.2 MAX HIGH X 0.13 MAX THICK.

C. ALLOWABLE PARTING LINE MISMATCH 0.2 MAX.

D. EJECTOR PINS MARK TO BE FLUSH TO 0.25 MAX DEPRESSED.

E. ALLOWABLE GATE VESTIGE TO BE FLUSH TO 0.25 MAX PROTRUSION.

4. SYSTEM REQUIREMENTS:

WHEN TESTED TO SAE/USCAR-2 REV: 3, APRIL 2001, AND GMW #3191, AUGUST 22, 2000 (DRAFT).

A. TPA (WITHOUT TERMINALS)

a. INSERTION FORCE FROM PRE-SET TO LOCK: ≥20N

b. REMOVAL FORCE FROM PRE-SET: ≥20N

B. CPA

a. INSERTION FORCE FROM PRE-SET TO LOCK WITH CONNECTOR UN-MATED: ≥60N

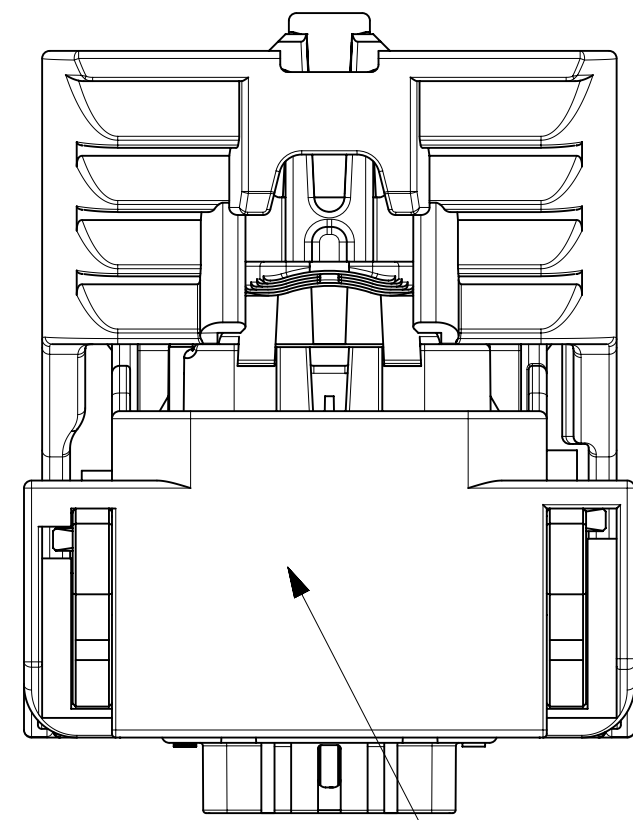
b. REMOVAL FORCE FROM PRE-SET: ≥30N

C. GROMMET CAP

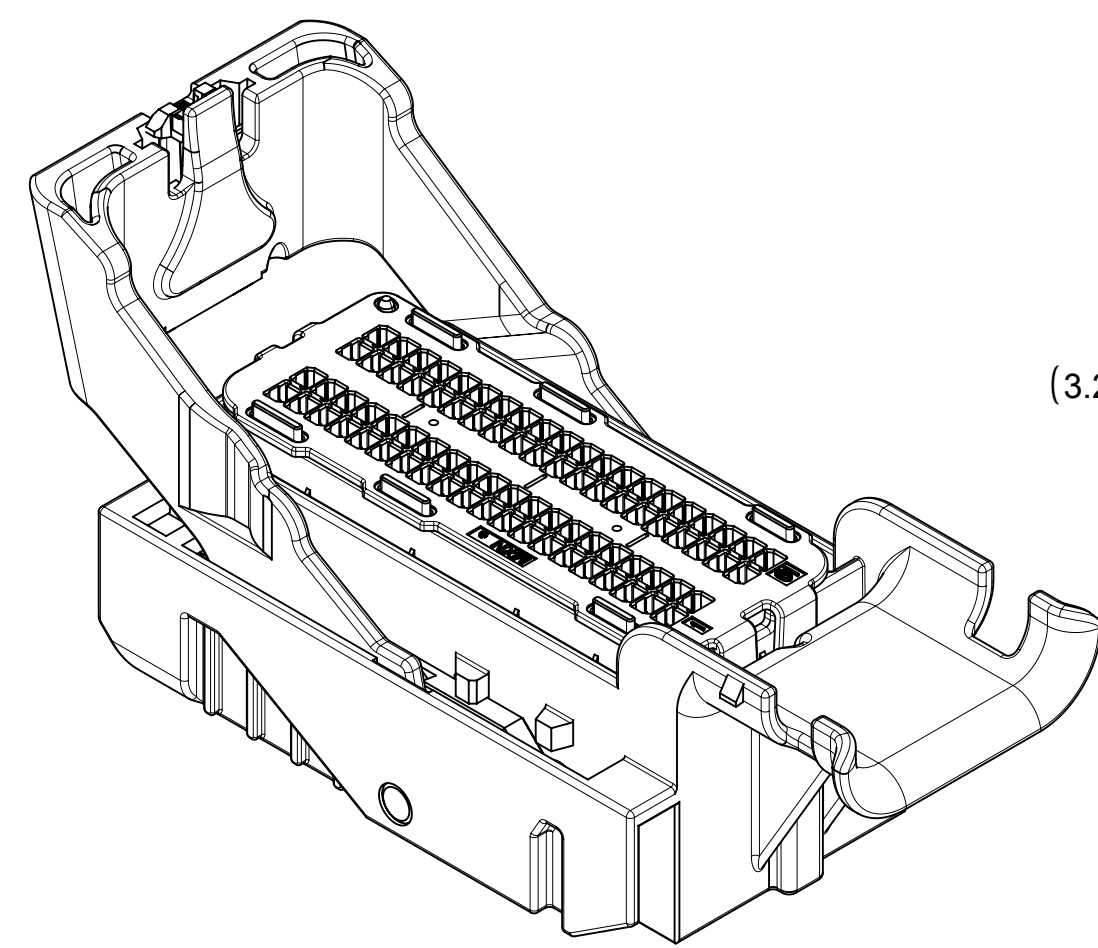
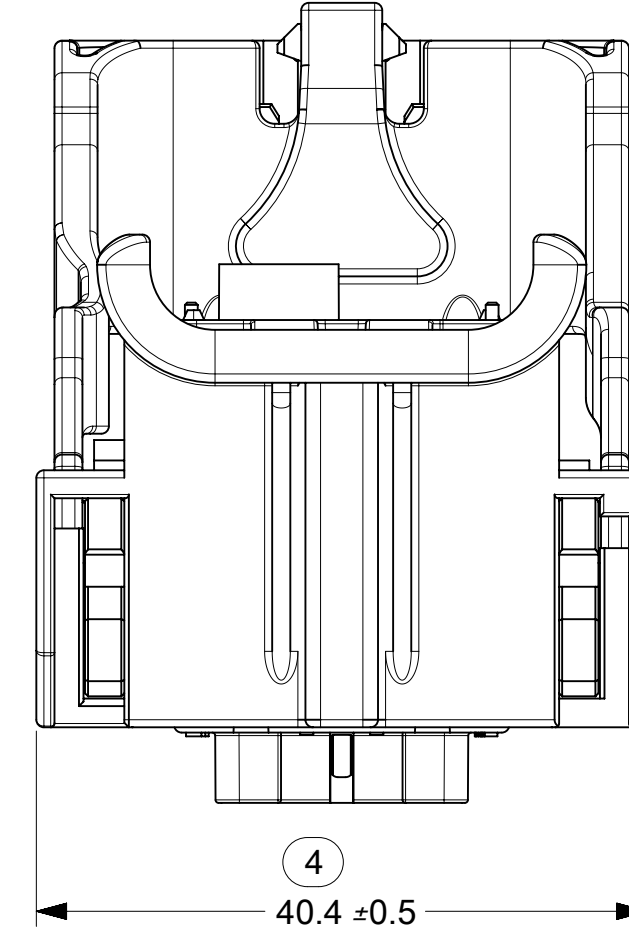
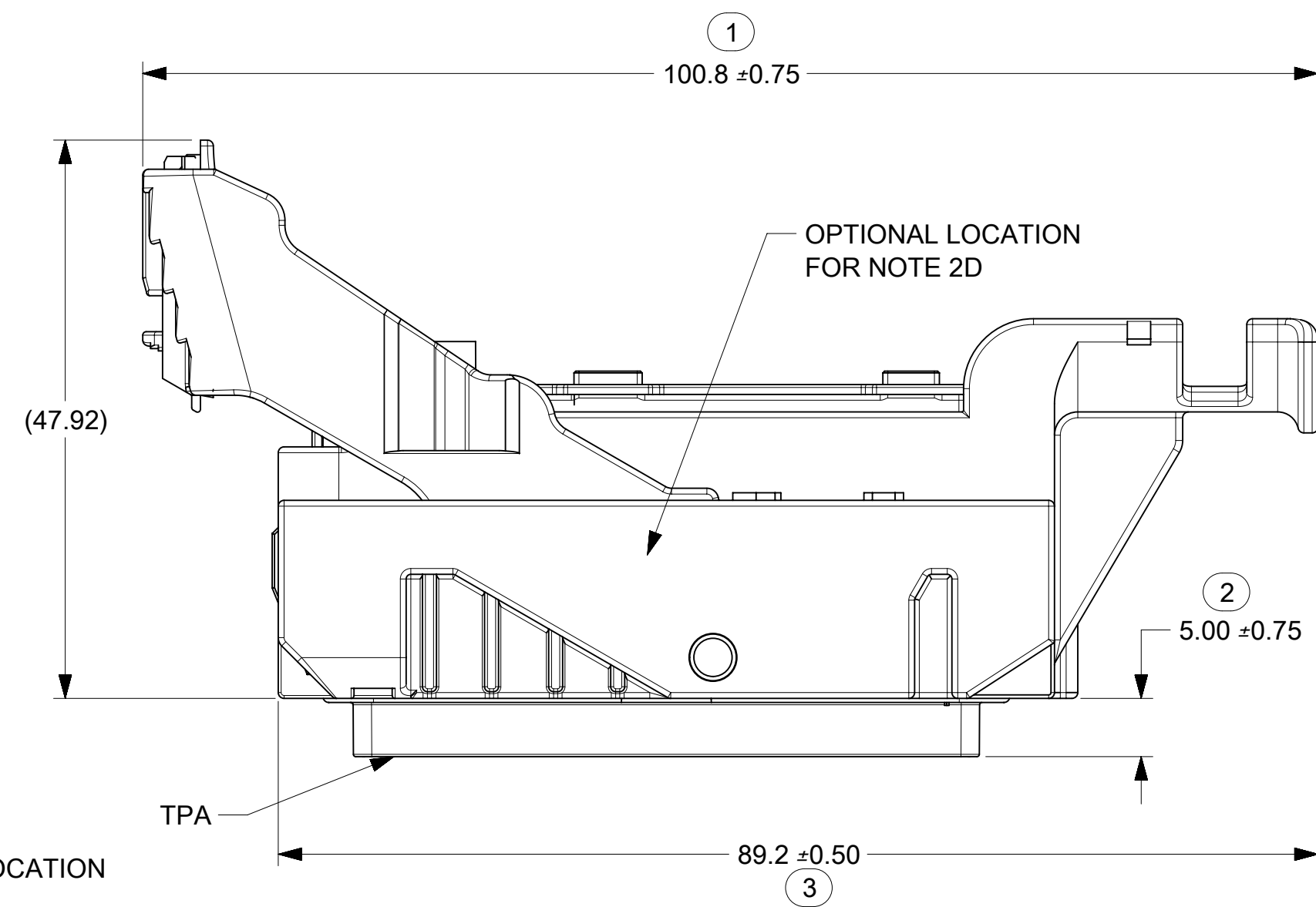
a. REMOVAL FORCE FROM HOUSING WITH ENGAGED LATCHES: ≥110N

D. MATE ASSIST LEVER

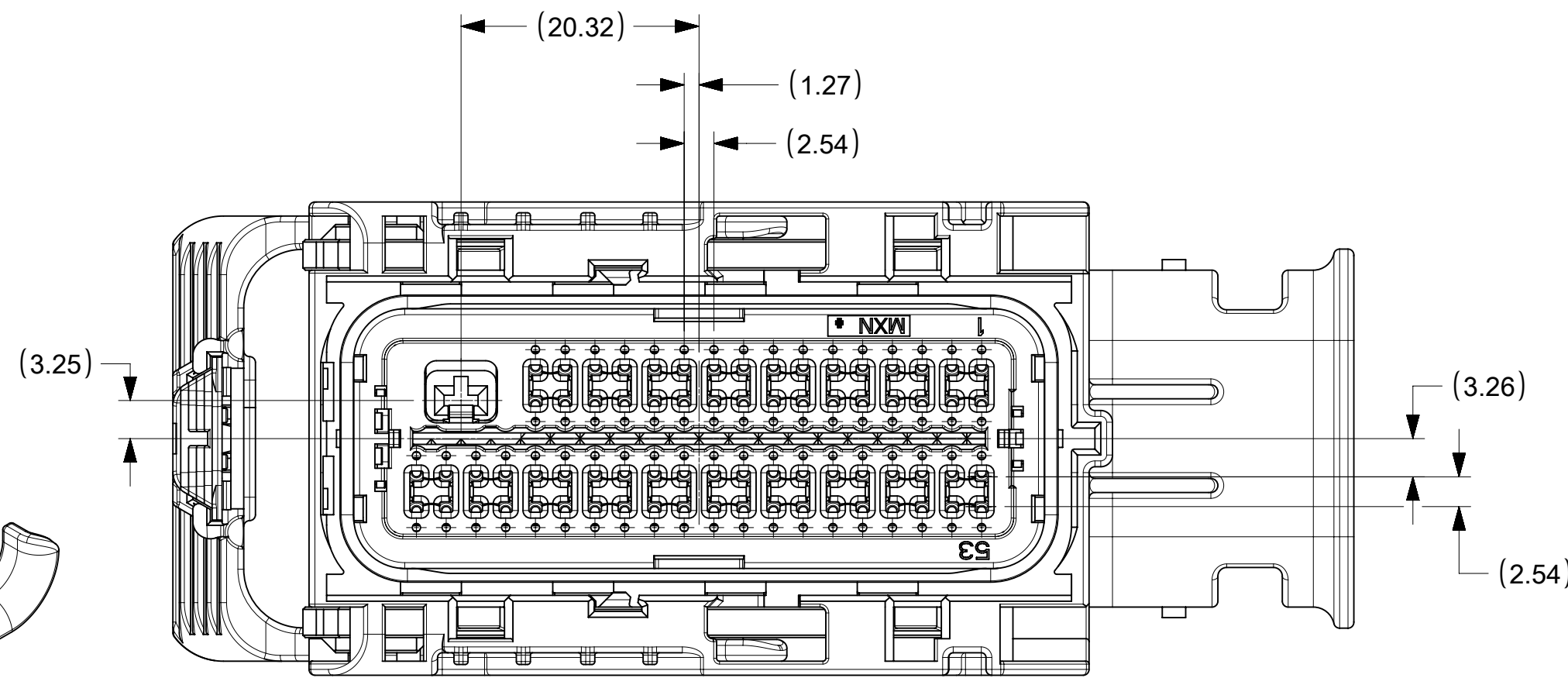
a. INADVERTENT ACTUATION FORCE DURING SHIPPING, HANDLING OR PRE-ASSEMBLY: ≥190N



RECOMMENDED LOCATION FOR NOTE 2D



80 CKT
SCALE 3:2



G63	CHANGE DIMENSION 47.92 AND 89.2±0.50 POSITION; CHANGE > TO ≥ IN NOTES 4; TAKE OFF MODEL NUMBERS IN SHEET 2-4
G62	UPDATE ALL VIEWS IN SHEET 1, SHEET 2 AND SHEET 3
G61	BOM MIGRATE TO 345660001-SD.pdf
G60	ADD NEW PIN CONFIGURATION 34822-0253 thru 34822-0293 , 34566-8773 thru 34566-8983, 34576-7663 thru 34576-7723
G59	UPDATED HARNESS ASSY PART# DESCRIPTIONS
G58	ADD NEW PIN CONFIGURATION 34566-8743 34566-8753 34566-8763 34822-0243
G56	TO RESOLVE ISSUES WITH VIEWS ON SHEETS 1, 2, 3 AND 4
G55	ADDED HARNESS CONNECTOR ASSEMBLY PART NUMBERS
G54	ADDED KNOCKOUT PATTERNS
G53	UPDATED DRAWING TO INCLUDE ISO WIRE AND AWG WIRE HRNS CONN ASSEMBLY PART NUMBERS
G52	ADD NEW PIN CONFIGURATION 34566-8613 34566-8623
G51	ADD NEW PIN CONFIGURATION 34566-8563 34566-8573 34566-8583 34566-8593 34822-0183 34822-0193 34822-0203 34822-0213
G50	ADD NEW PIN CONFIGURATION 34566-8543 34566-8553
G49	ADD NEW PIN CONFIGURATION 34566-8443 34566-8453 34566-8463 34566-8473 34566-8483 34566-8493 34566-8513 34566-8523 34566-8533
G48	ADD NEW PIN CONFIGURATION 34566-8393 34566-8413 34566-8423 34566-8433
G47	SHEETS SEQUENCE ARE CORRECTED
G46	ADD NEW PIN CONFIGURATION 34566-8223 34566-8233 34566-8243 34566-8253 34566-8263 34566-8273 34566-8283 34566-8293 34566-8313 34566-8323 34566-8333 34566-8343 34566-8353 34566-8363 34566-8373 34566-8383
G45	NX RE-MASTERING
G44	ADD NEW PIN CONFIGURATION 34566-8173
G43	ADD NEW PIN CONFIGURATION 34566-8163 34566-2493 SAME AS P/N 34566-3863
REV	DESCRIPTION

SYMBOLS		THIS DRAWING CONTAINS INFORMATION THAT IS PROPRIETARY TO MOLEX ELECTRONIC TECHNOLOGIES, LLC AND SHOULD NOT BE USED WITHOUT WRITTEN PERMISSION	
▽ = 0	MM	SCALE	2:1
▽ = 0	GENERAL TOLERANCES (UNLESS SPECIFIED)		
▽ = 0	ANGULAR TOL	±	°
▽ = 0	4 PLACES	±	
▽ = 0	3 PLACES	±	
▽ = 0	2 PLACES	±	
▽ = 0	1 PLACE	±	
▽ = 0	0 PLACES	±	
■ = 0	DRAFT WHERE APPLICABLE MUST REMAIN WITHIN DIMENSIONS		
▽ = 0	CURRENT REV DESC:		
EC NO: 605052		2018/09/27	
DRWN: HKLIANG		2018/10/10	
CHK'D: JDENG02		2018/10/10	
APPR: JDENG02		2018/10/10	
INITIAL REVISION:			
DRWN: TYE		2016/05/06	
APPR: SKRAJENDRANA		2016/08/22	
THIRD ANGLE PROJECTION		DRAWING SERIES	
D-SIZE		34566	
MATERIAL NUMBER		CUSTOMER	
SEE TABLE		GENERAL MARKET	
DOCUMENT NUMBER		DOC TYPE	
SD-34566-001		PSD	
DOC PART		REVISION	
000		G63	
SHEET NUMBER		1 OF 8	

molex

MX123
66/73/80CKT HRNS CONN ASSY

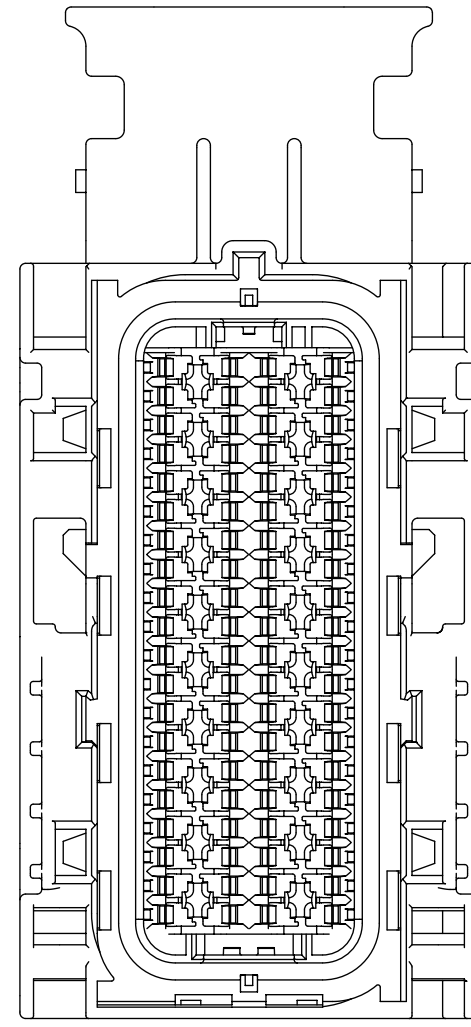
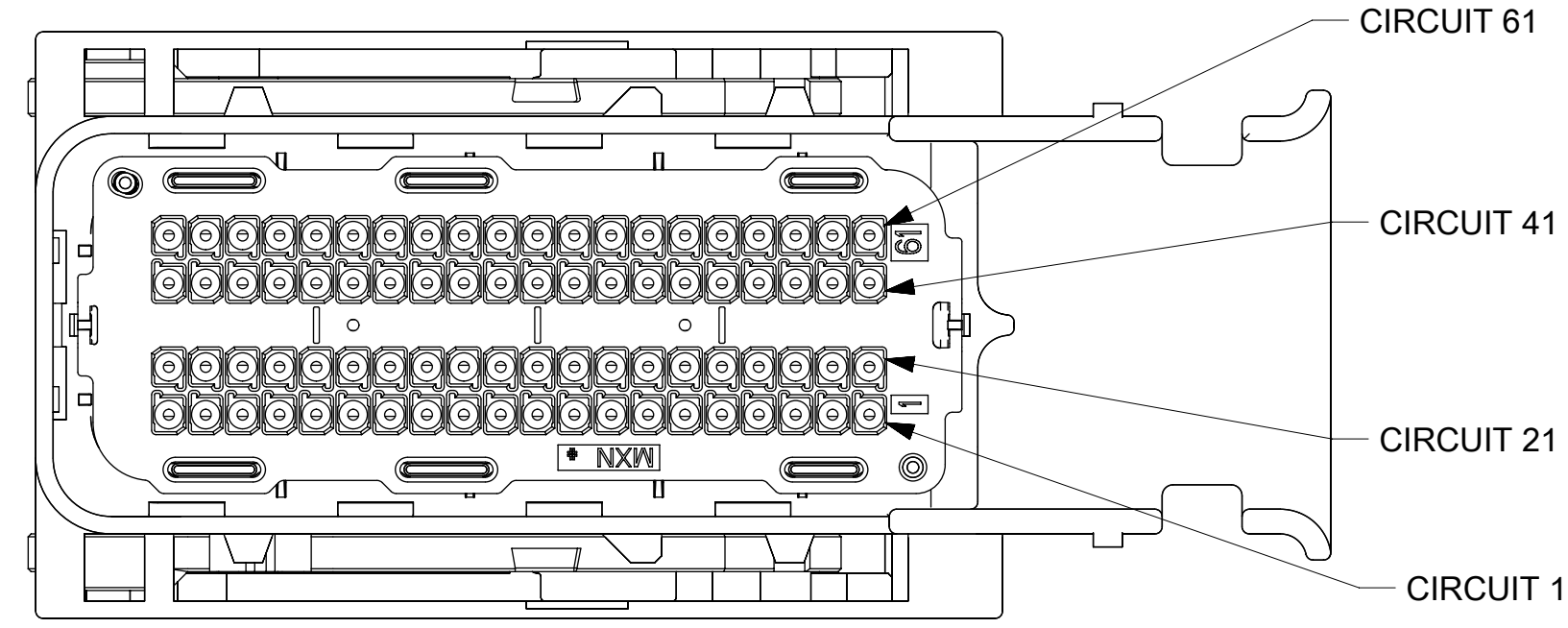
PRODUCT CUSTOMER DRAWING

DOCUMENT NUMBER: SD-34566-001
DOC TYPE: PSD
DOC PART: 000
REVISION: G63

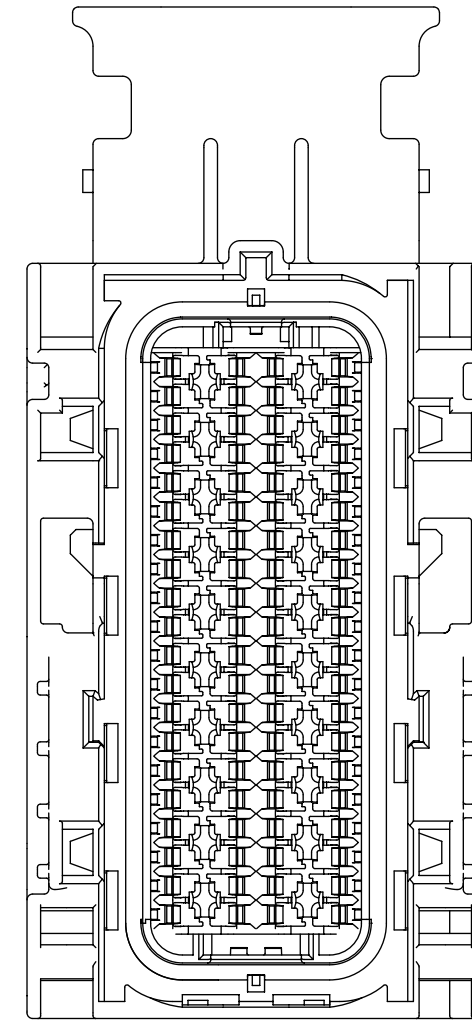
80 CKT

WIRE DRESS OPTION 0

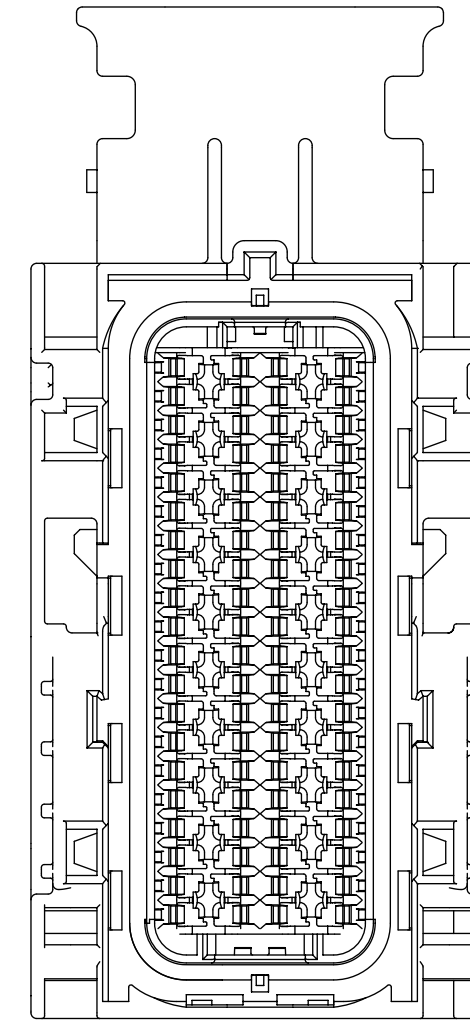
HOUSING ONLY, SHOWN FOR CLARITY



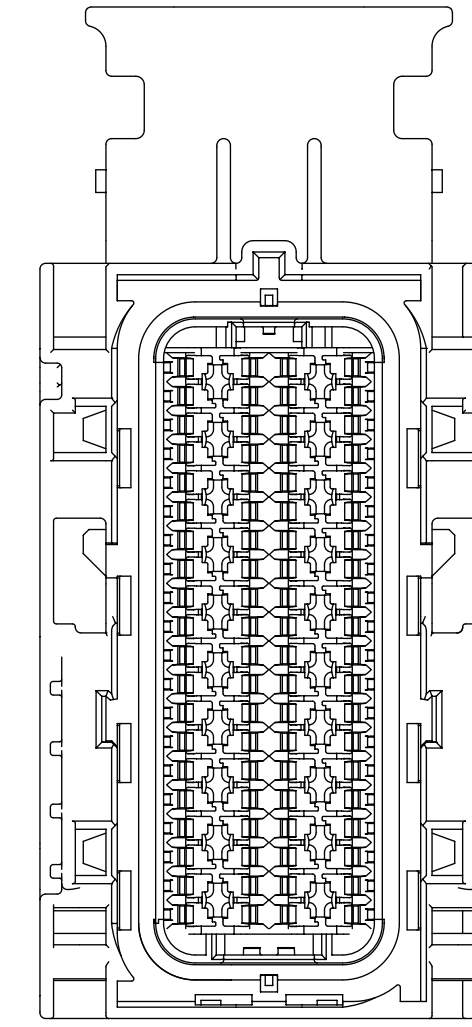
KEY G



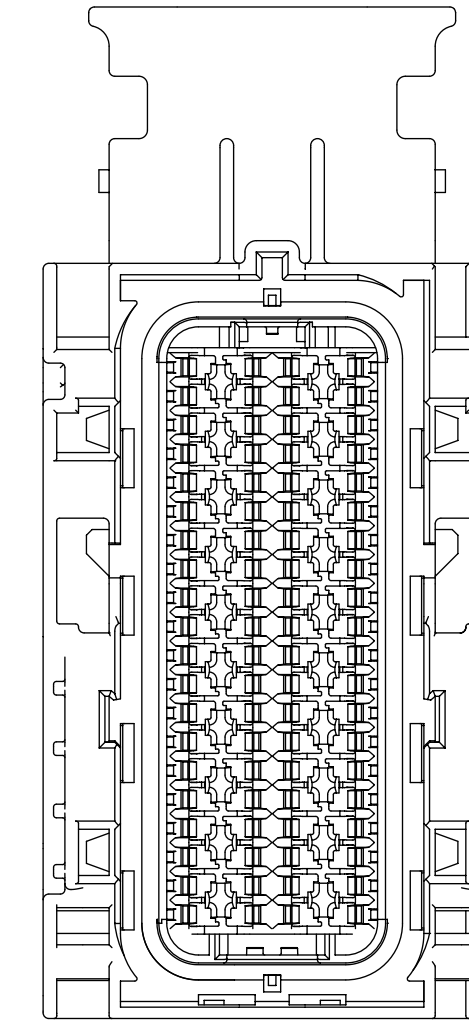
KEY H



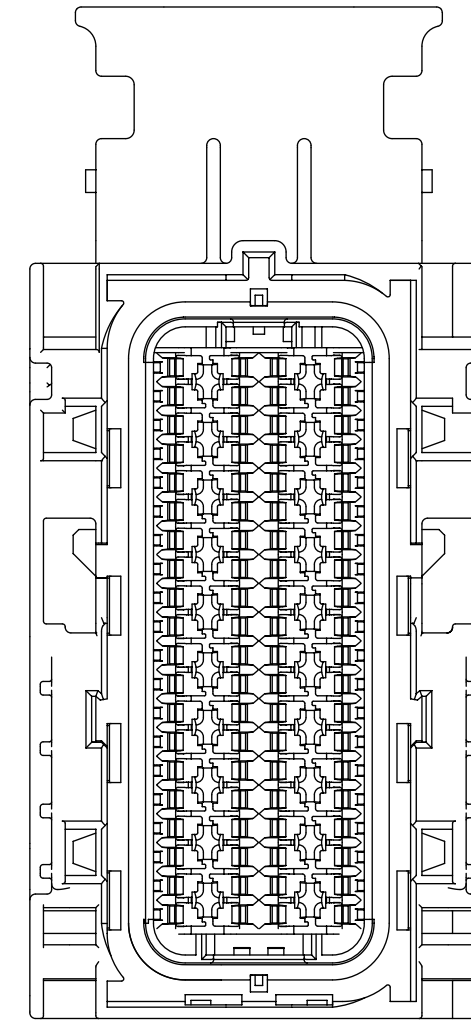
KEY J



KEY K

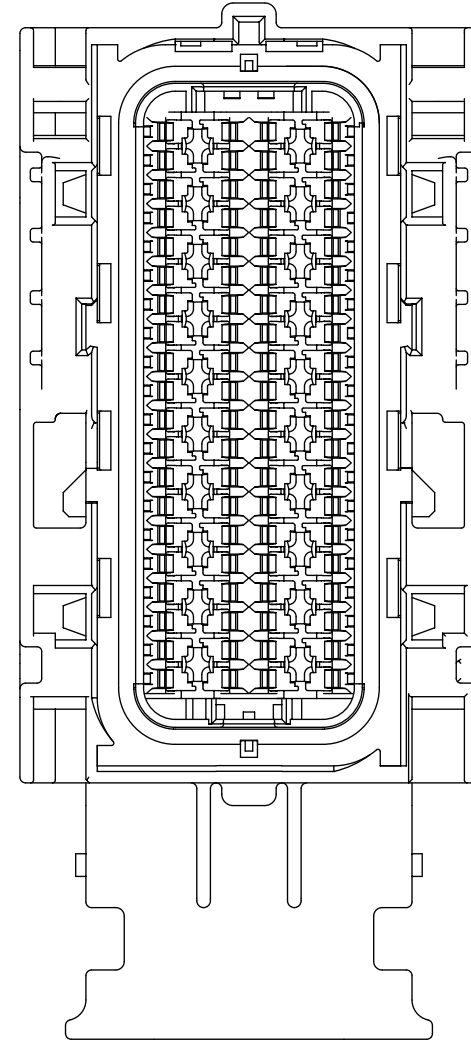
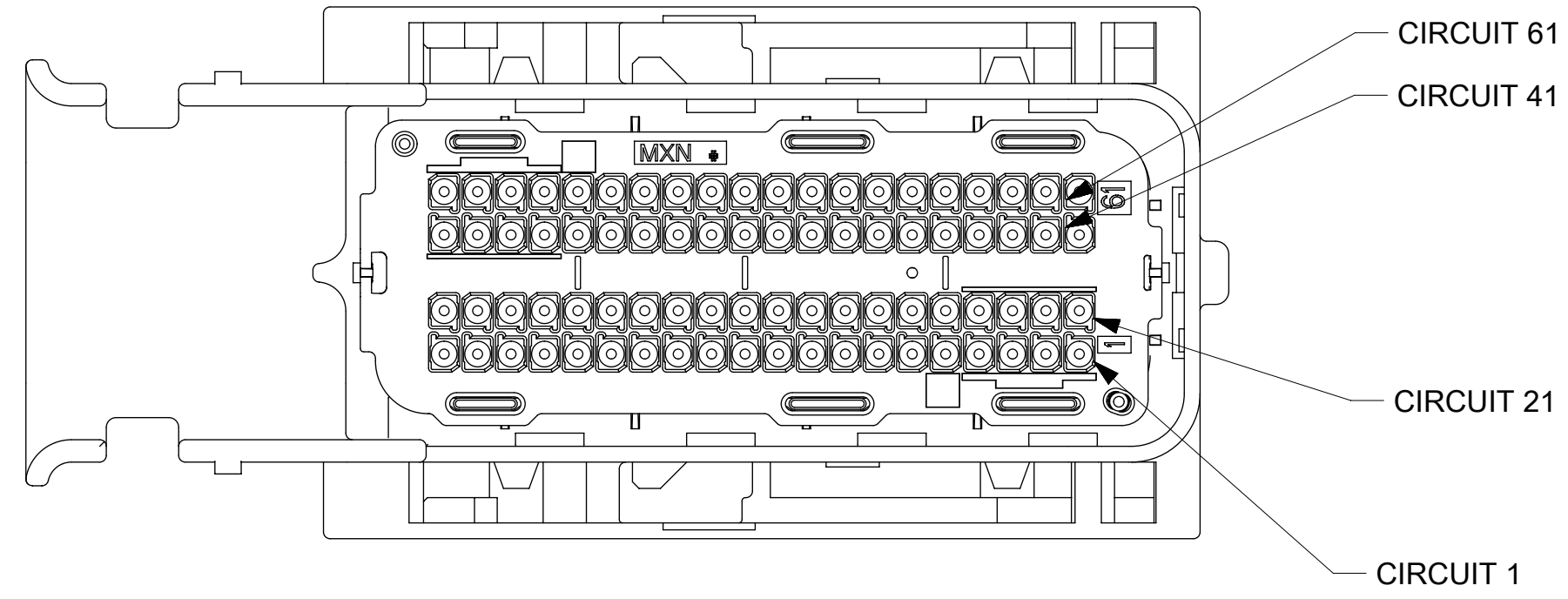


KEY L

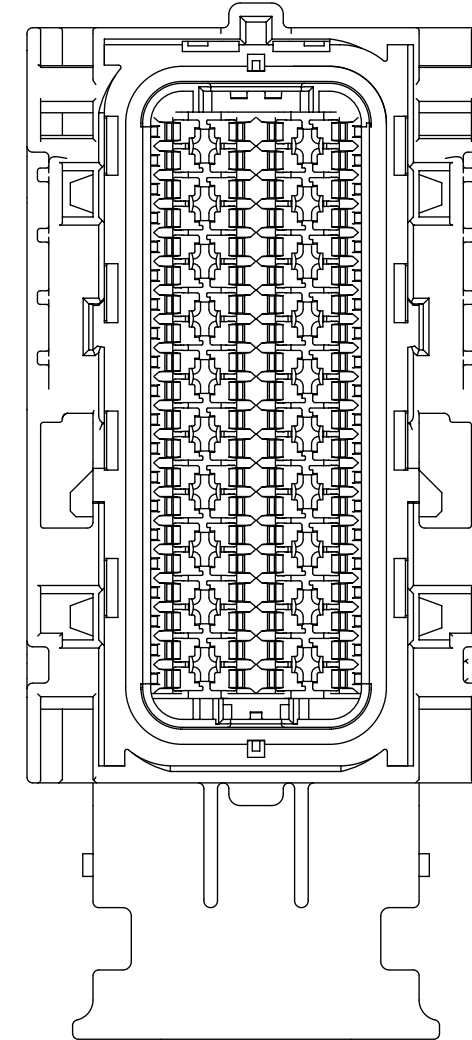


KEY M

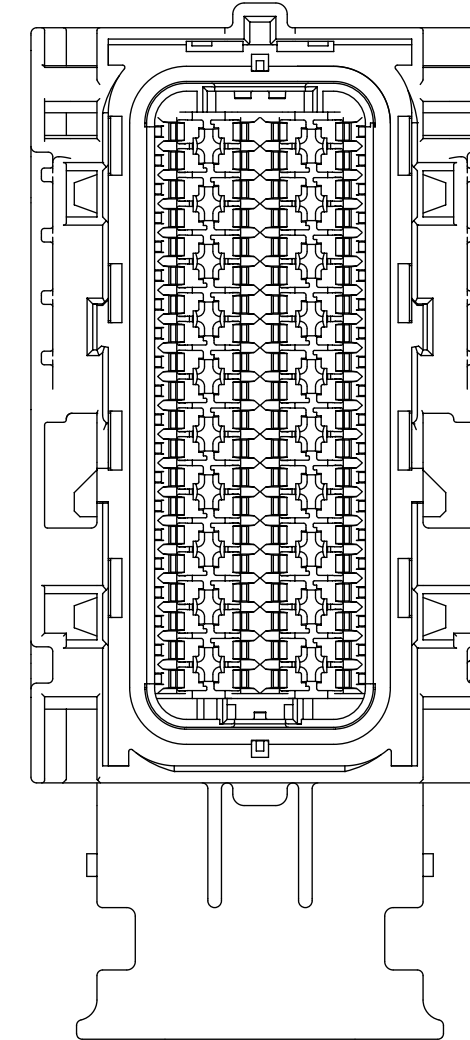
WIRE DRESS OPTION 9



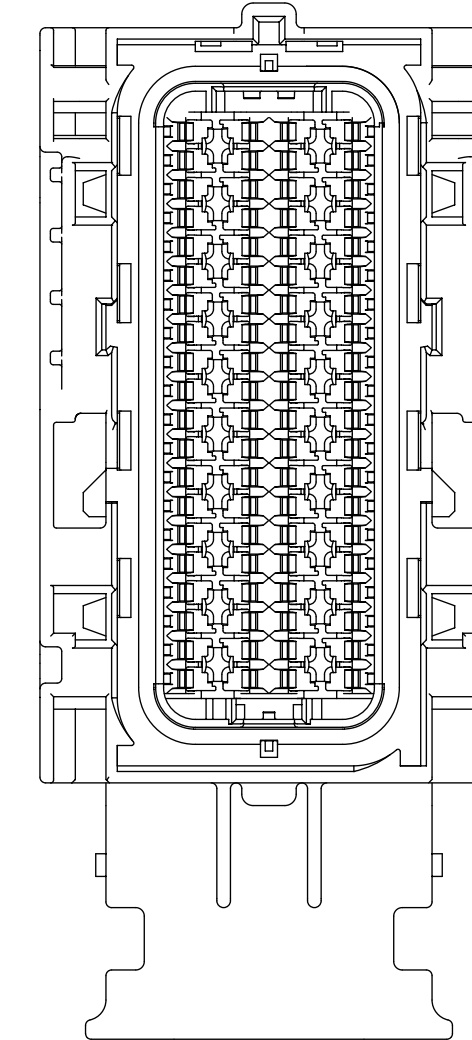
KEY G



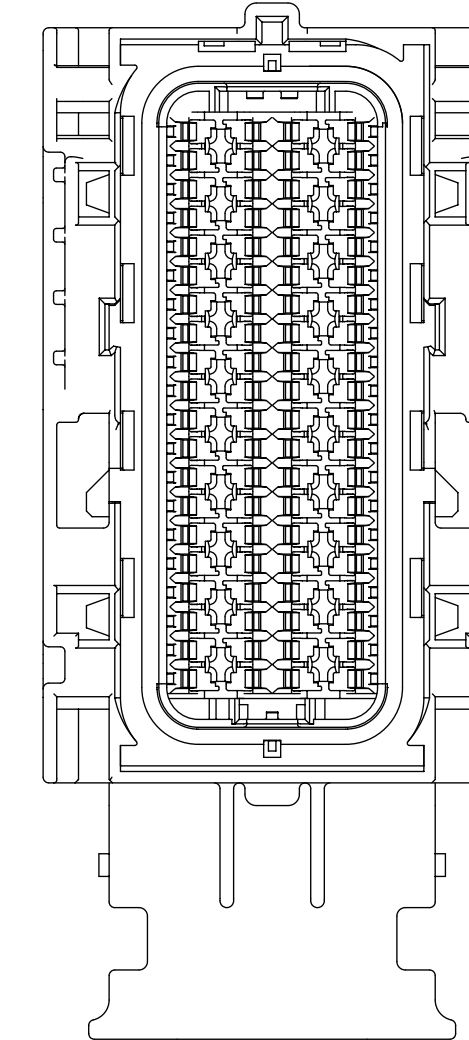
KEY H



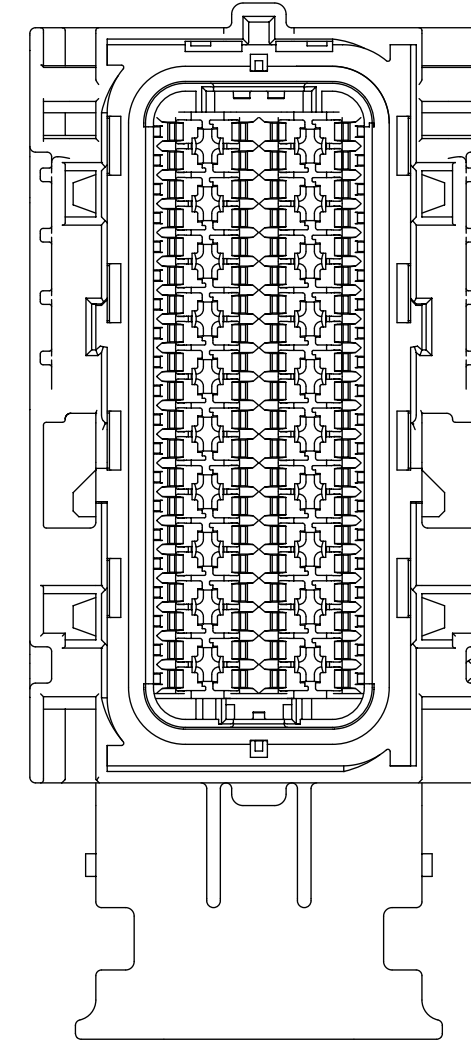
KEY J



KEY K



KEY L



KEY M

SYMBOLS	THIS DRAWING CONTAINS INFORMATION THAT IS PROPRIETARY TO MOLEX ELECTRONIC TECHNOLOGIES, LLC AND SHOULD NOT BE USED WITHOUT WRITTEN PERMISSION		
	DIMENSION UNITS	SCALE	CURRENT REV DESC:
▽ = 0	MM		EC NO: 605052 DRWN: HKLIANG 2018/09/27 CHK'D: JDENG02 2018/10/10 APPR: JDENG02 2018/10/10 INITIAL REVISION: DRWN: TYE 2016/05/06 APPR: SKRAJENDRANA 2016/08/22
▽ = 0	GENERAL TOLERANCES (UNLESS SPECIFIED)		
▽ = 0	ANGULAR TOL	± °	
▽ = 0	4 PLACES	±	
▽ = 0	3 PLACES	±	
▽ = 0	2 PLACES	±	
▽ = 0	1 PLACE	±	
▽ = 0	0 PLACES	±	
■ = 0	DRAFT WHERE APPLICABLE MUST REMAIN WITHIN DIMENSIONS		THIRD ANGLE PROJECTION
▽ = 0			DRAWING SERIES
			D-SIZE 34566
DOCUMENT STATUS		P1	RELEASE DATE
2018/10/10		03:26:09	
DOCUMENT NUMBER		DOC TYPE	DOC PART
SD-34566-001		PSD	000
REVISION		G63	
MATERIAL NUMBER		CUSTOMER	SHEET NUMBER
SEE TABLE		GENERAL MARKET	2 OF 8

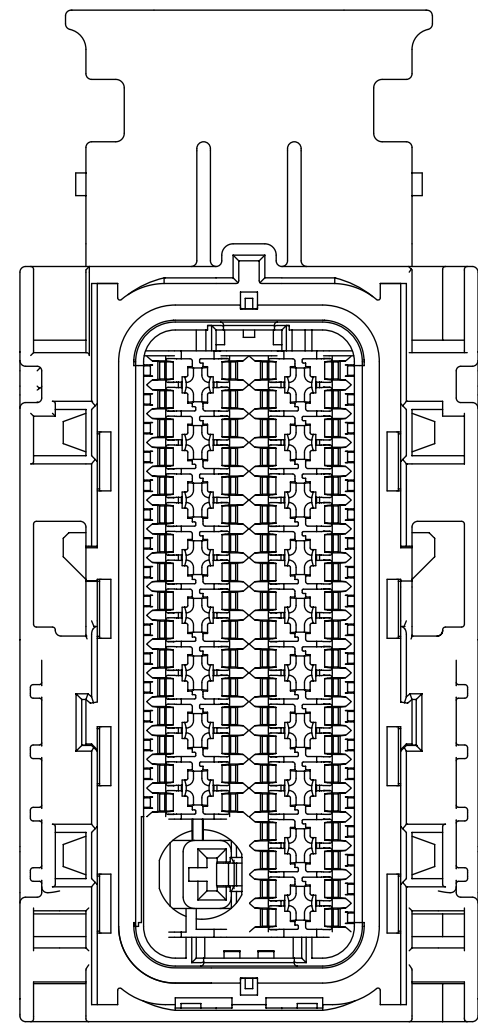
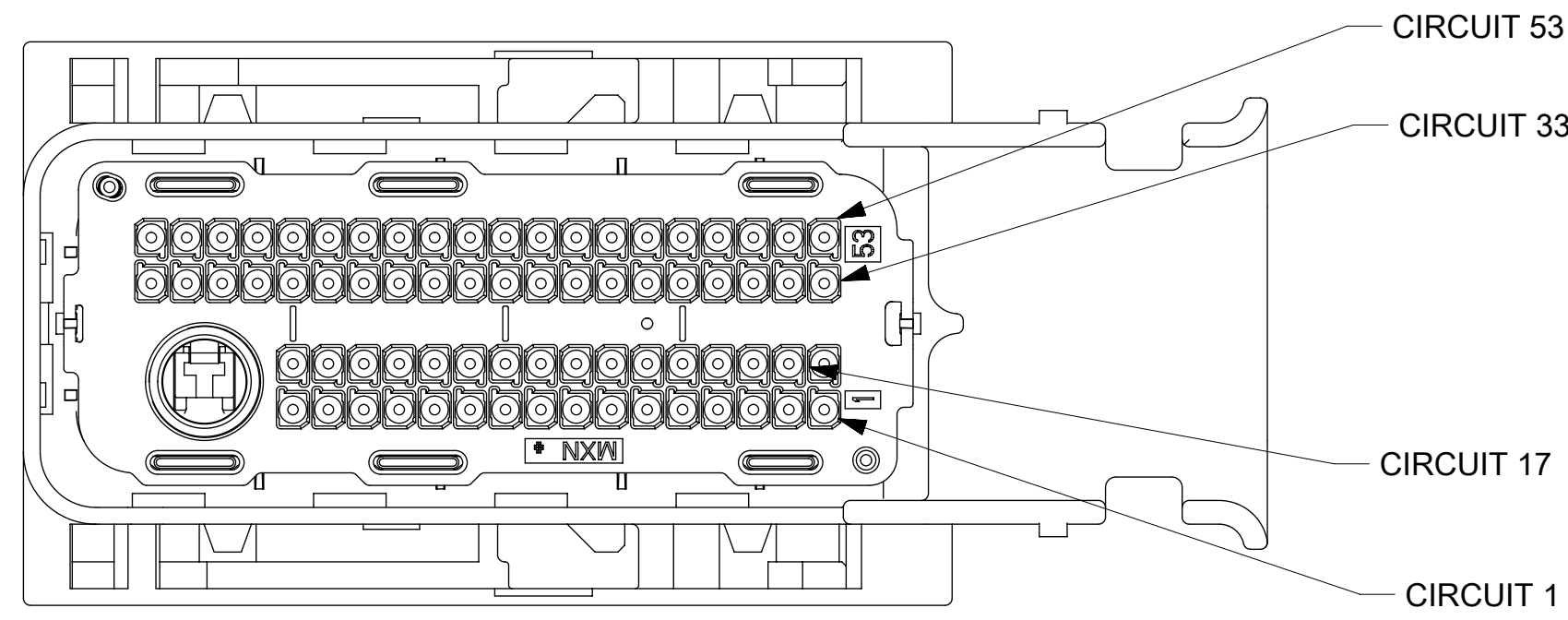
molex

MX123
66/73/80CKT HRNS CONN ASSY

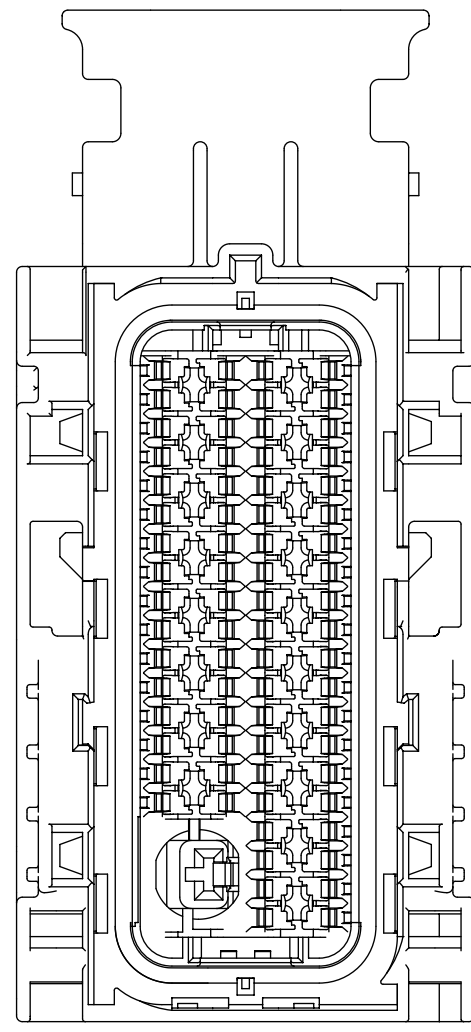
PRODUCT CUSTOMER DRAWING

73 CKT
WIRE DRESS OPTION 0

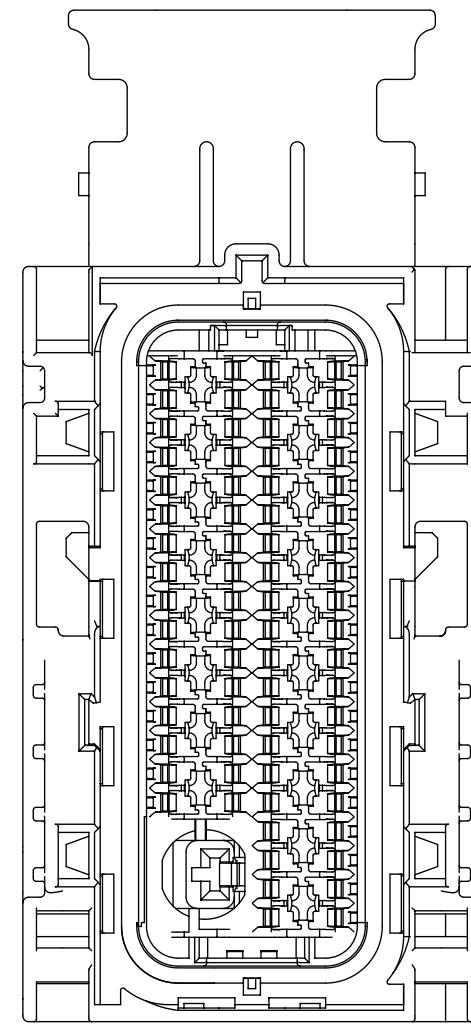
HOUSING ONLY, SHOWN FOR CLARITY



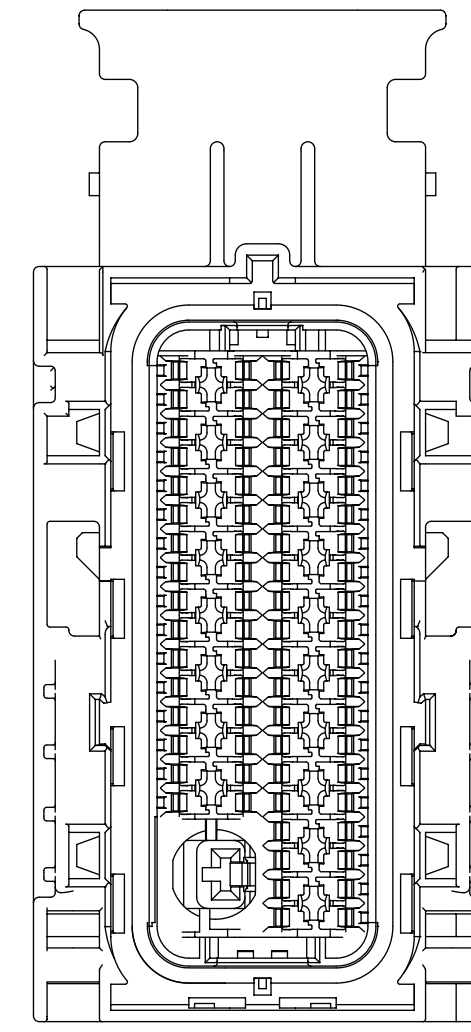
KEY A



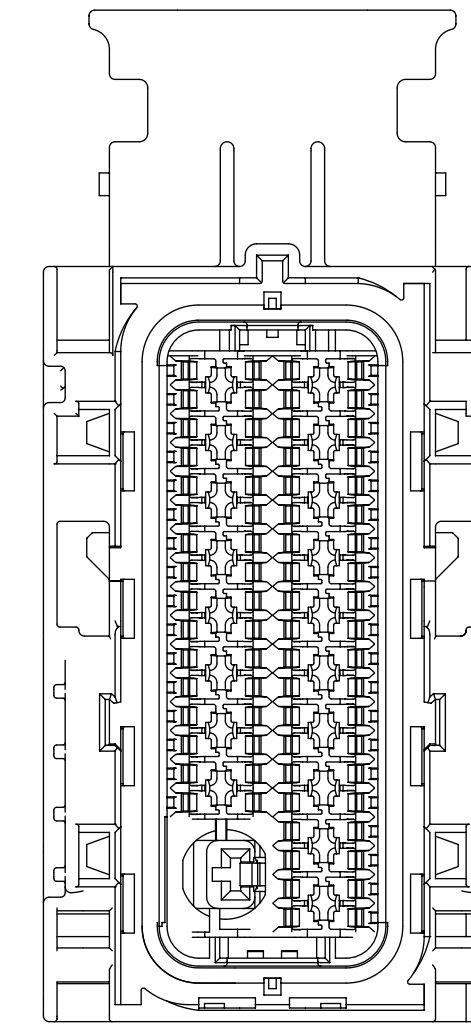
KEY B



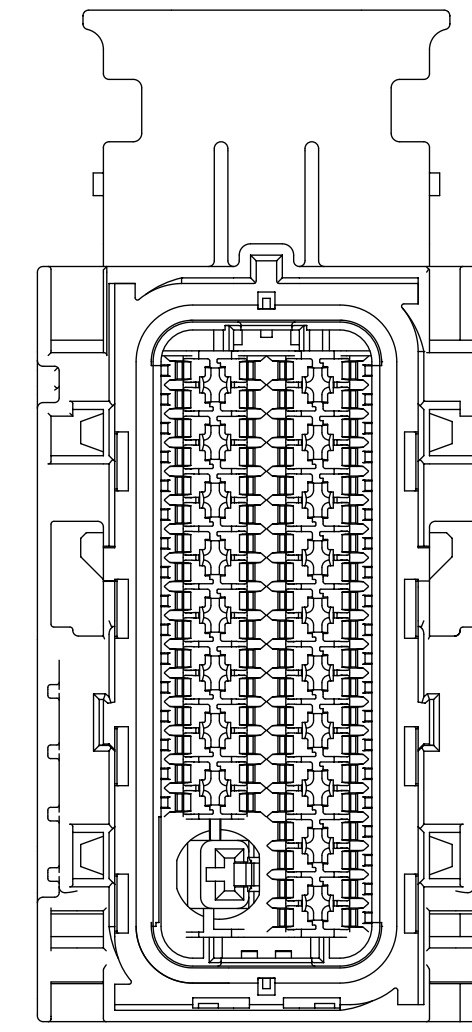
KEY C



KEY D

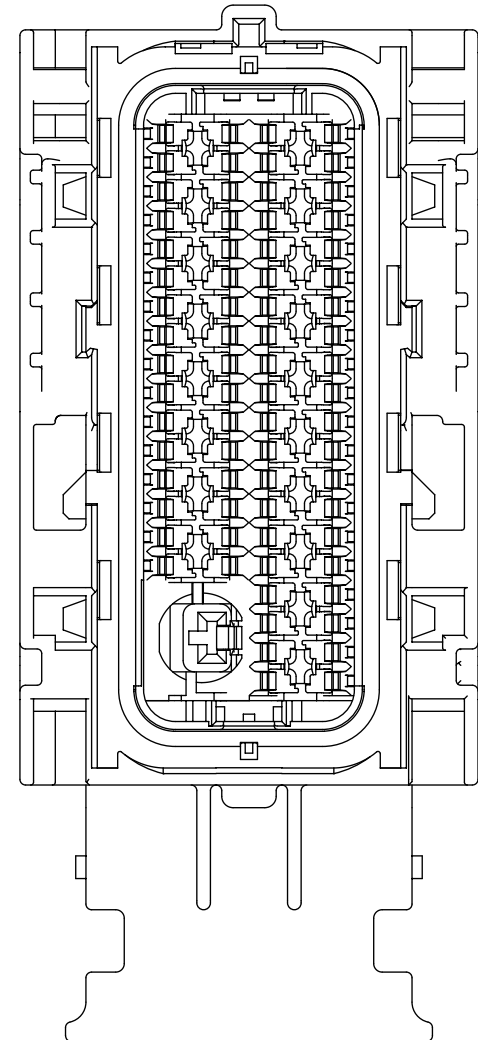
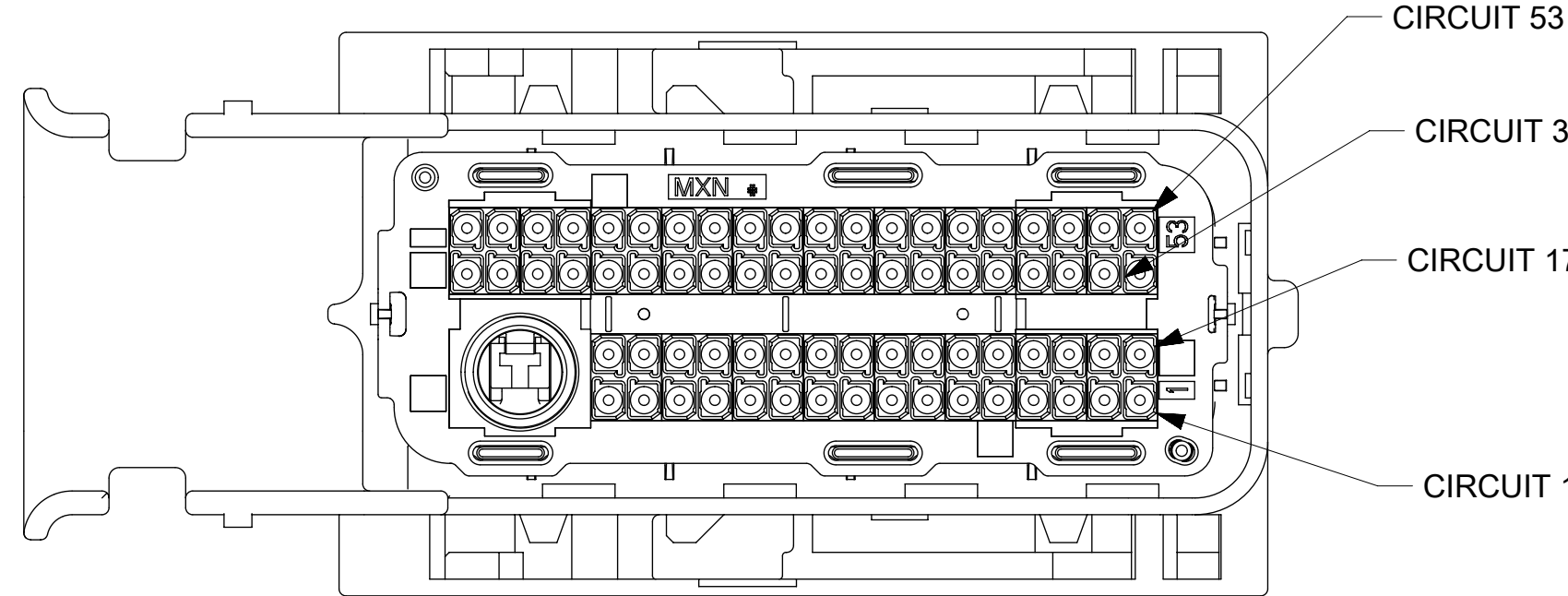


KEY E

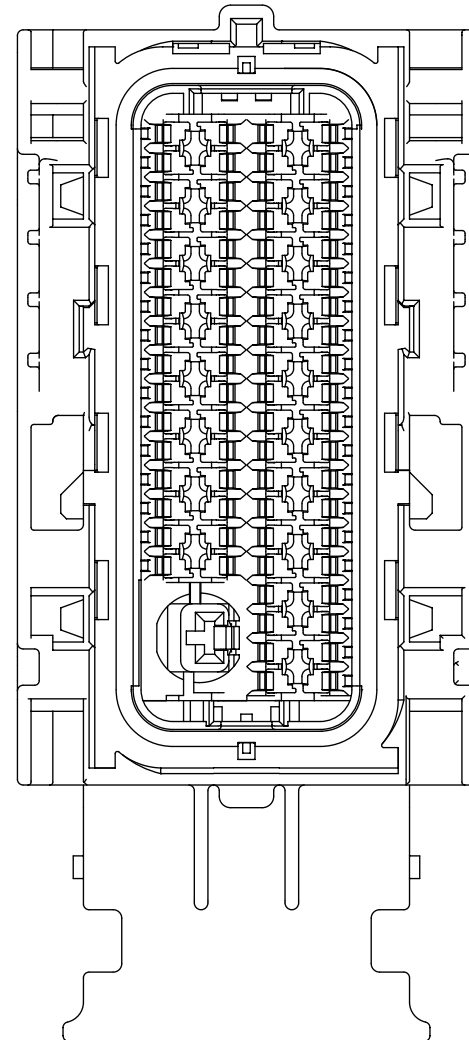


KEY F

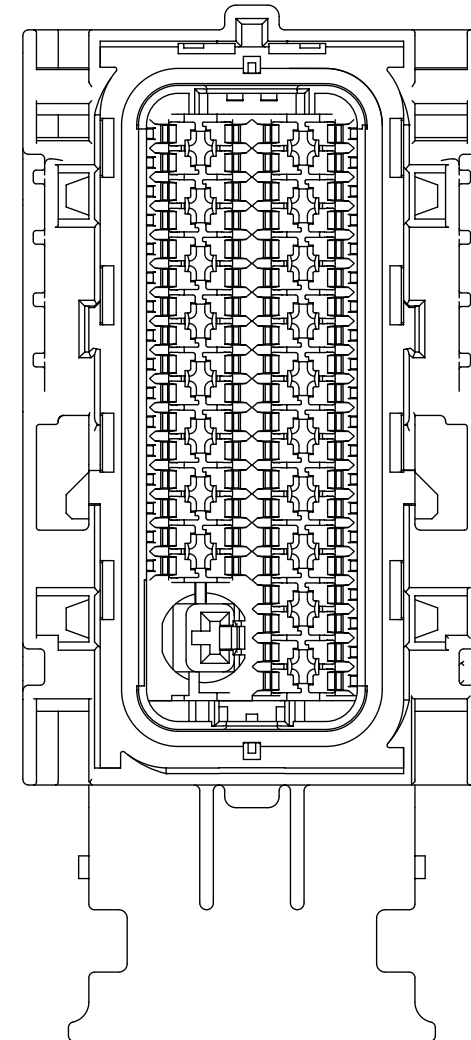
WIRE DRESS OPTION 9



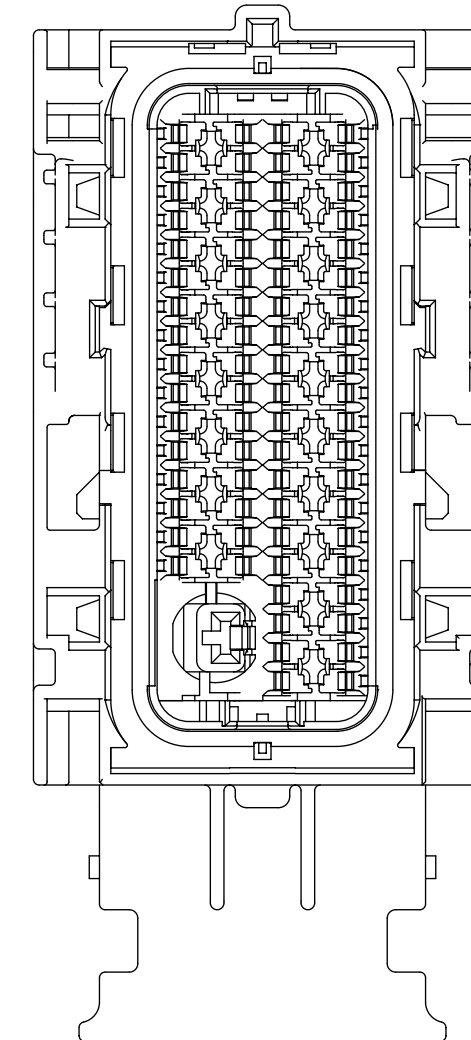
KEY A



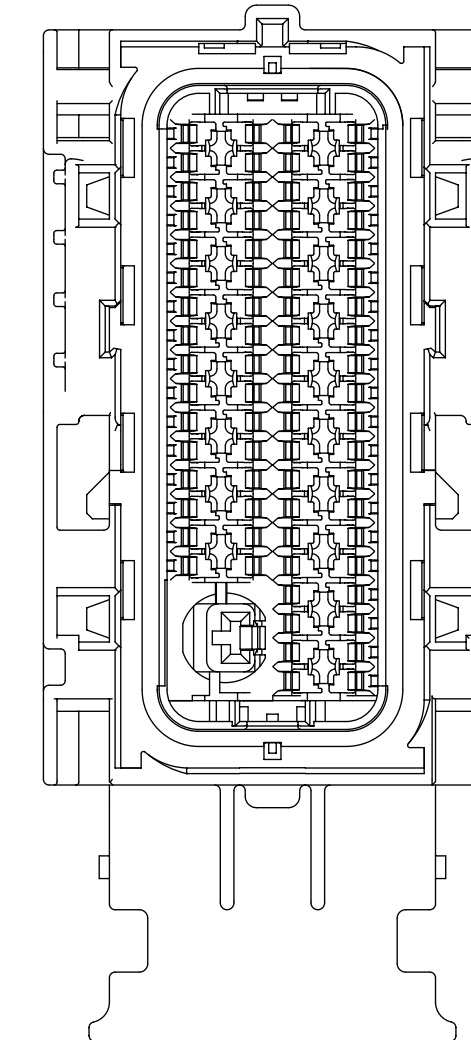
KEY B



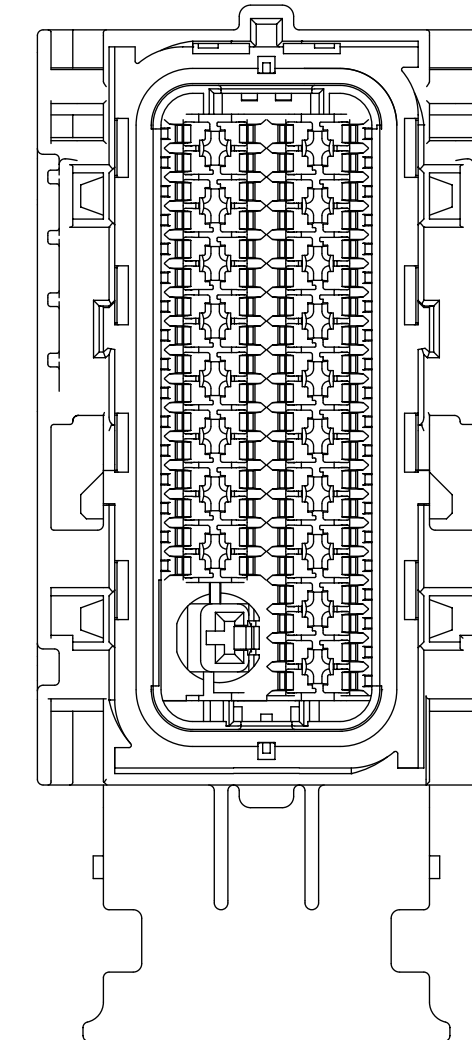
KEY C



KEY D



KEY E

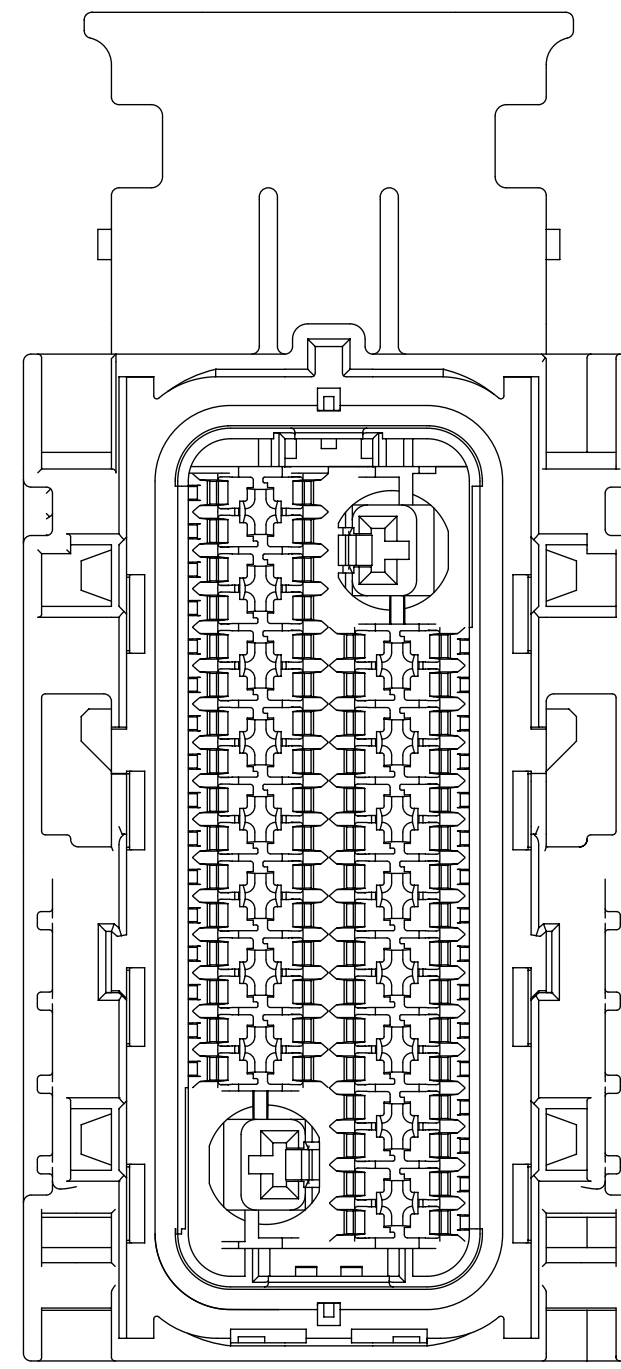
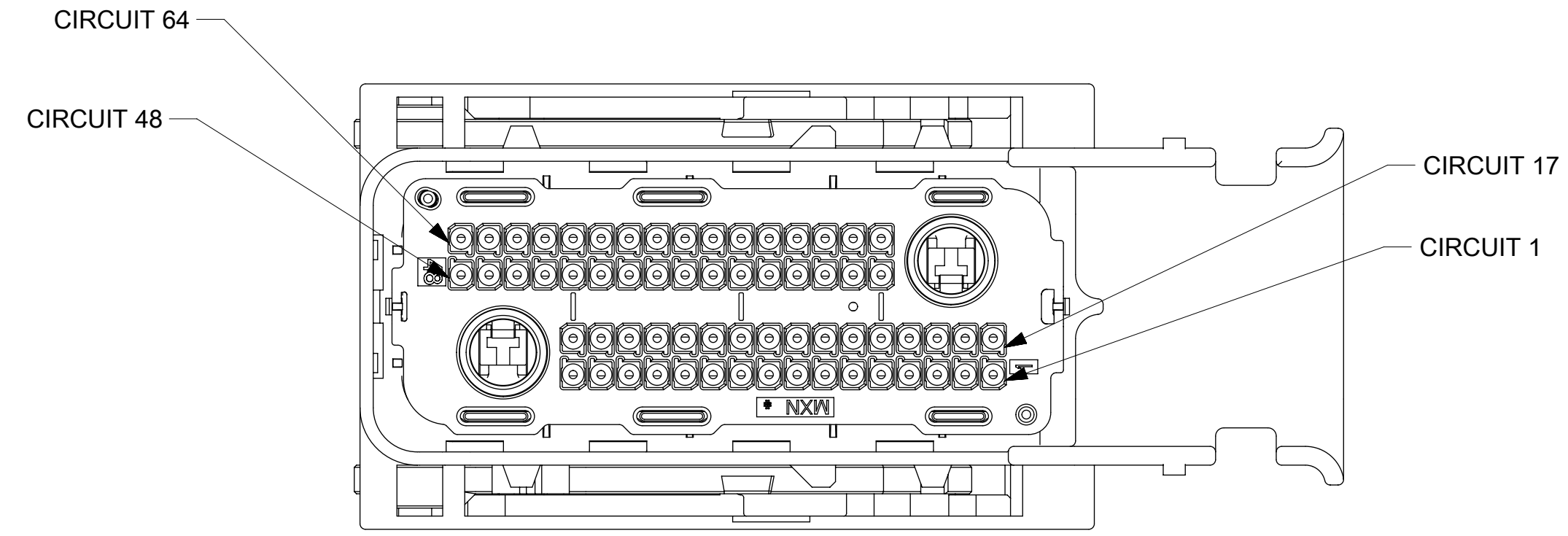


KEY F

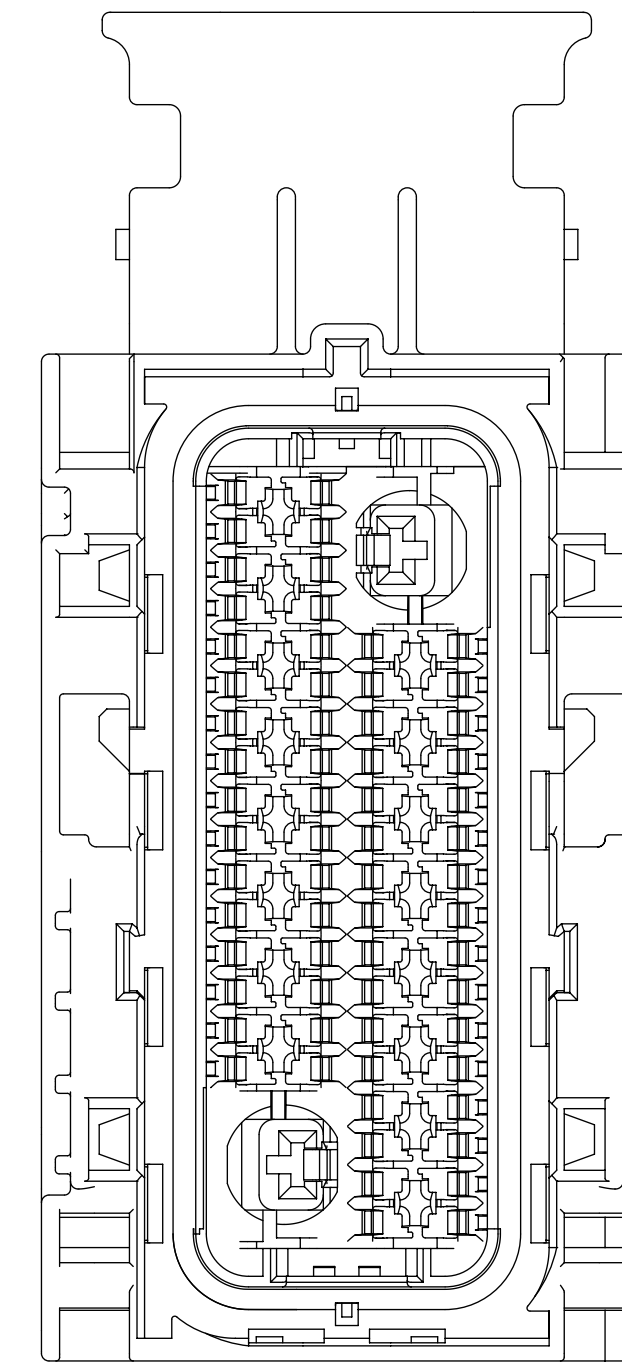
SYMBOLS = 0 = 0 = 0 = 0 = 0 = 0 = 0 = 0 = 0 = 0 = 0	THIS DRAWING CONTAINS INFORMATION THAT IS PROPRIETARY TO MOLEX ELECTRONIC TECHNOLOGIES, LLC AND SHOULD NOT BE USED WITHOUT WRITTEN PERMISSION		CURRENT REV DESC:		 MX123 66/73/80CKT HRNS CONN ASSY PRODUCT CUSTOMER DRAWING		
	DIMENSION UNITS	SCALE	EC NO: 605052				
	MM		DRWN: HKLIANG 2018/09/27				
	GENERAL TOLERANCES (UNLESS SPECIFIED)		CHK'D: JDENG02 2018/10/10				
	ANGULAR TOL ± °		APPR: JDENG02 2018/10/10				
	4 PLACES ±		INITIAL REVISION:				
3 PLACES ±		DRWN: TYE 2016/05/06					
2 PLACES ±		APPR: SKRAJENDRANA 2016/08/22					
1 PLACE ±		DOCUMENT NUMBER					
0 PLACES ±		SD-34566-001					
DRAFT WHERE APPLICABLE		THIRD ANGLE PROJECTION	DRAWING	SERIES	DOC TYPE	DOC PART	REVISION
MUST REMAIN WITHIN DIMENSIONS			D-SIZE	34566	PSD	000	G63
					MATERIAL NUMBER	CUSTOMER	SHEET NUMBER
					SEE TABLE	GENERAL MARKET	3 OF 8

HOUSING ONLY, SHOWN FOR CLARITY

66 CKT
WIRE DRESS OPTION 0

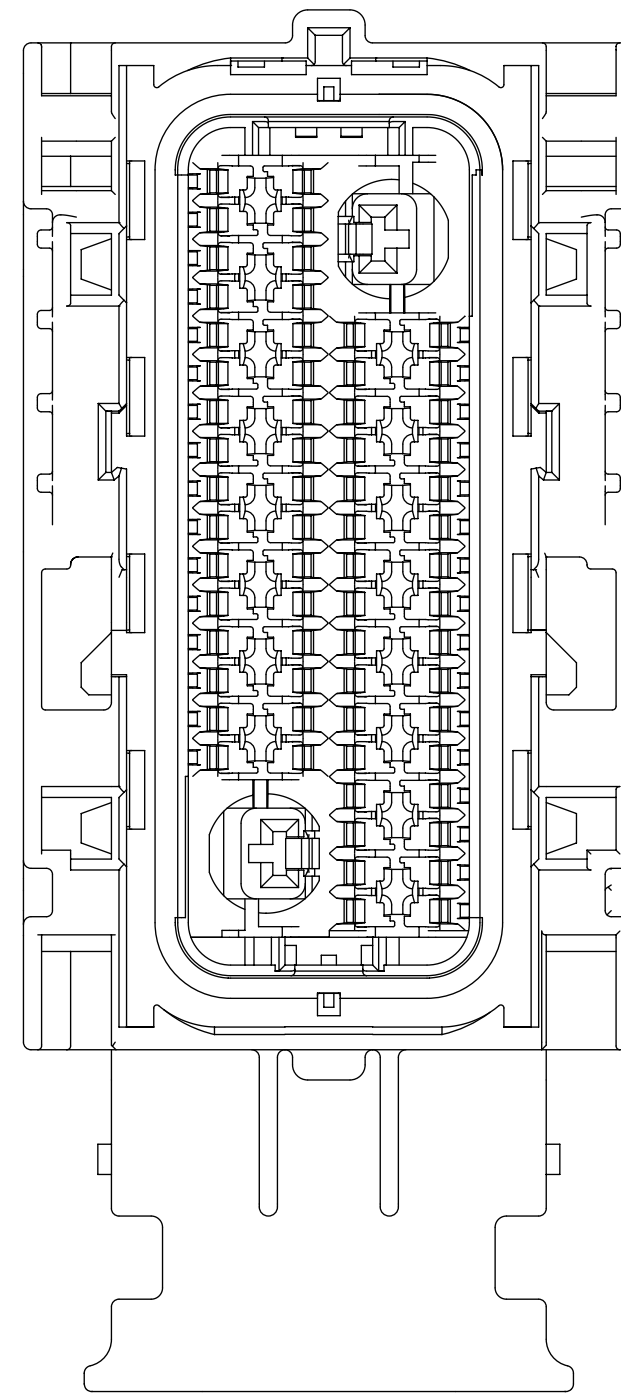
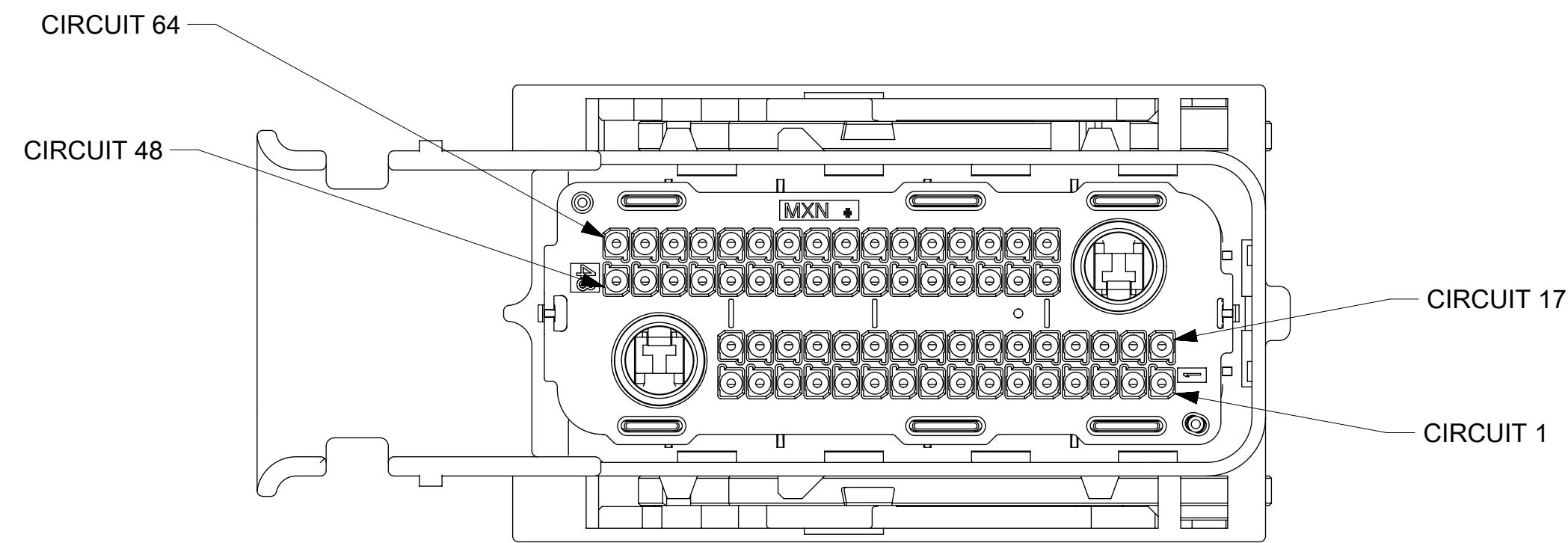


KEY A

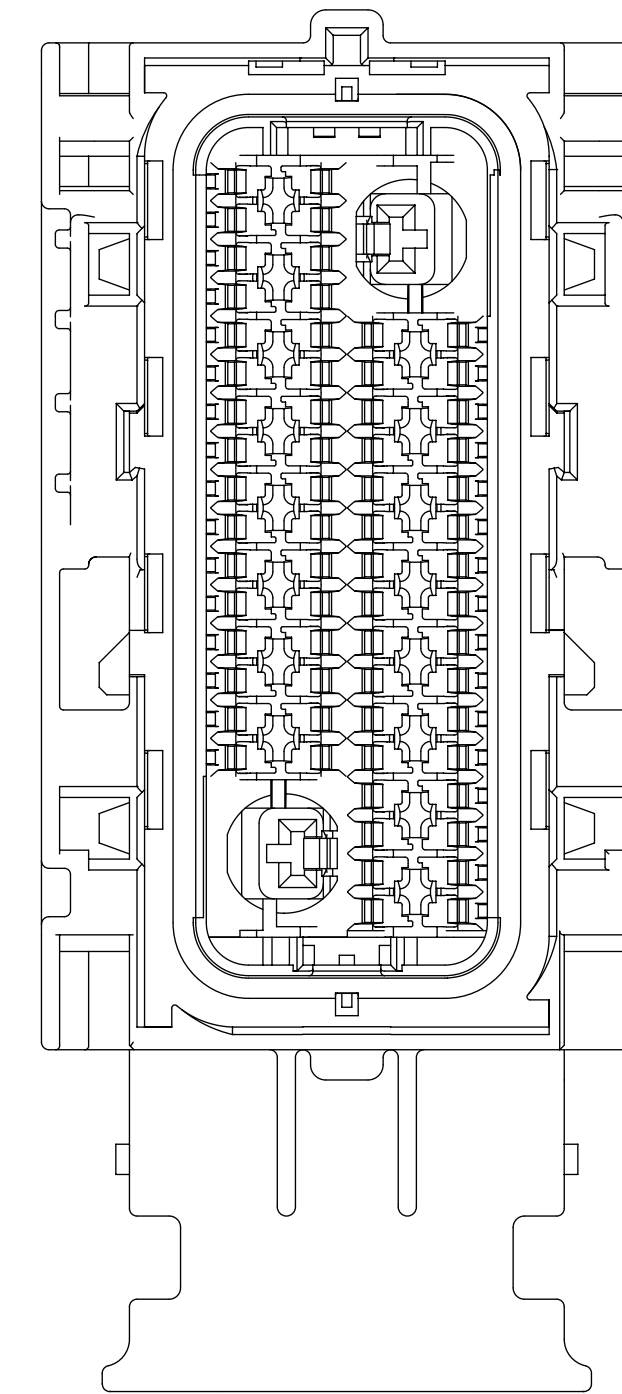


KEY C

WIRE DRESS OPTION 9



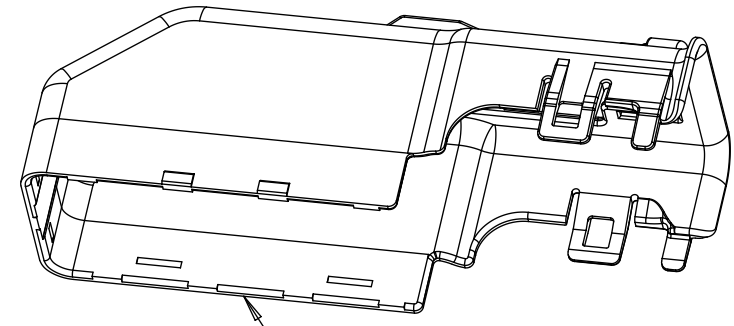
KEY A



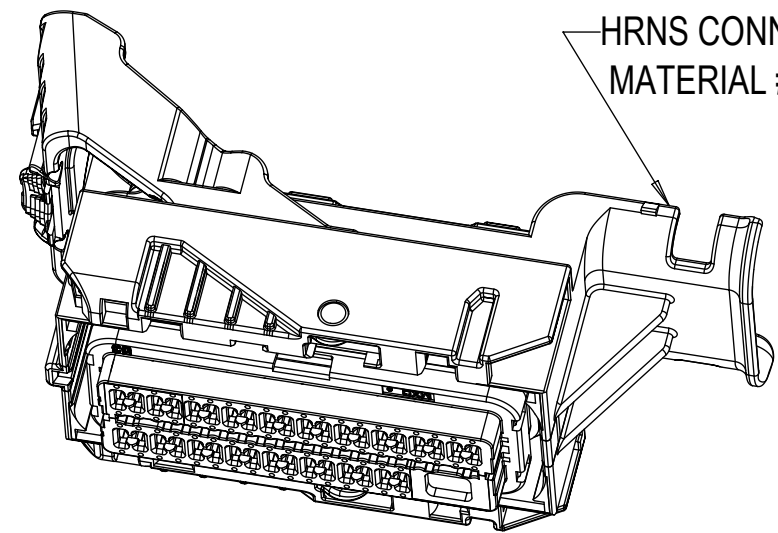
KEY C

SYMBOLS = 0 = 0 = 0 = 0 = 0 = 0 = 0 = 0 = 0 = 0	THIS DRAWING CONTAINS INFORMATION THAT IS PROPRIETARY TO MOLEX ELECTRONIC TECHNOLOGIES, LLC AND SHOULD NOT BE USED WITHOUT WRITTEN PERMISSION		CURRENT REV DESC:				
	DIMENSION UNITS MM	SCALE 2:1	EC NO: 605052 DRWN: HKLIANG 2018/09/27 CHK'D: JDENG02 2018/10/10 APPR: JDENG02 2018/10/10				
	GENERAL TOLERANCES (UNLESS SPECIFIED)		INITIAL REVISION:		PRODUCT CUSTOMER DRAWING		
	ANGULAR TOL ± °		DRWN: TYE 2016/05/06 APPR: SKRAJENDRANA 2016/08/22		DOCUMENT NUMBER SD-34566-001		
	4 PLACES ±		DRAFT WHERE APPLICABLE MUST REMAIN WITHIN DIMENSIONS		THIRD ANGLE PROJECTION 		DOC TYPE PSD
	3 PLACES ±		D-SIZE		SERIES 34566		DOC PART 000
	2 PLACES ±		SEE TABLE		MATERIAL NUMBER GENERAL MARKET		REVISION G63
	1 PLACE ±		GENERAL MARKET		CUSTOMER 4 OF 8		SHEET NUMBER
	0 PLACES ±		SEE TABLE		CUSTOMER 4 OF 8		SHEET NUMBER

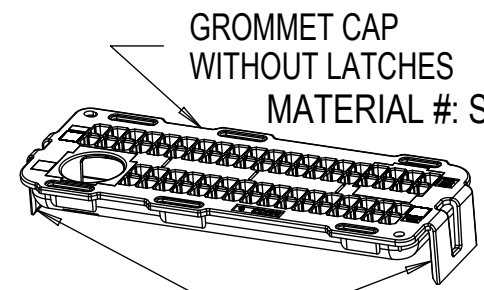
HRNS ASSY COMPONENT LIST



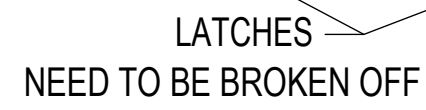
DRESS COVER
MATERIAL #: SEE HRNS ASSY TABLE



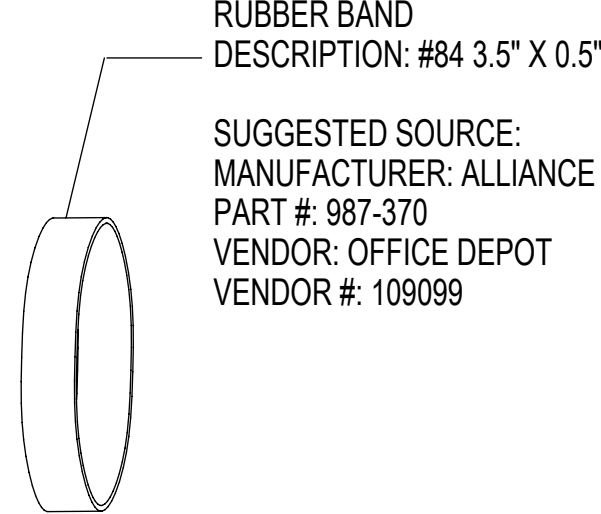
HRNS CONN. ASSY
MATERIAL #: SEE HRNS ASSY TABLE



GROMMET CAP WITHOUT LATCHES
MATERIAL #: SEE HRNS ASSY TABLE

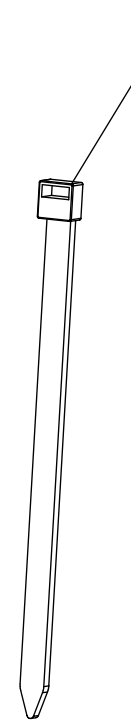


LATCHES
NEED TO BE BROKEN OFF



RUBBER BAND
DESCRIPTION: #84 3.5" X 0.5"

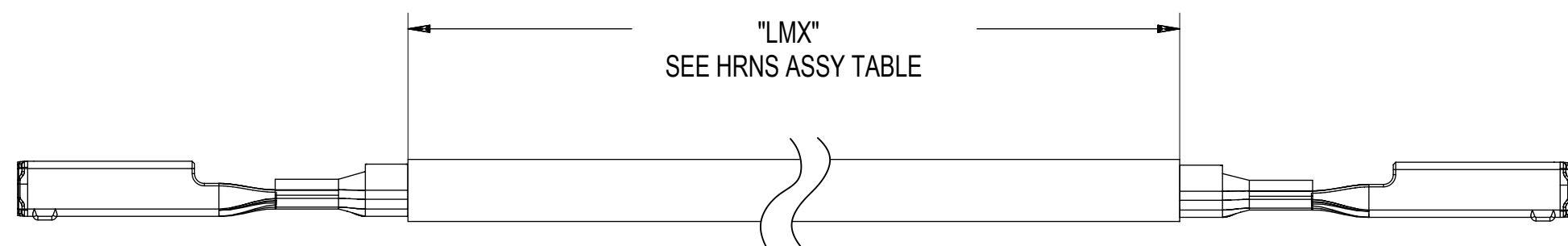
SUGGESTED SOURCE:
MANUFACTURER: ALLIANCE
PART #: 987-370
VENDOR: OFFICE DEPOT
VENDOR #: 109099



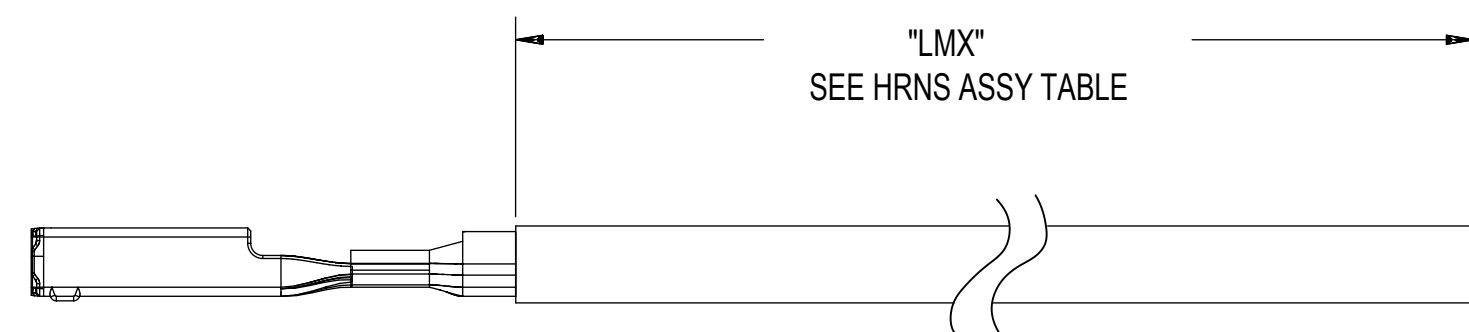
TY-RAP
DESCRIPTION: SIZE TY25 CABLE TIE

SUGGESTED SOURCE:
MANUFACTURER: THOMAS & BETTS
PART #: TY25M
VENDOR: CRESENT ELEC
VENDOR #: 104144

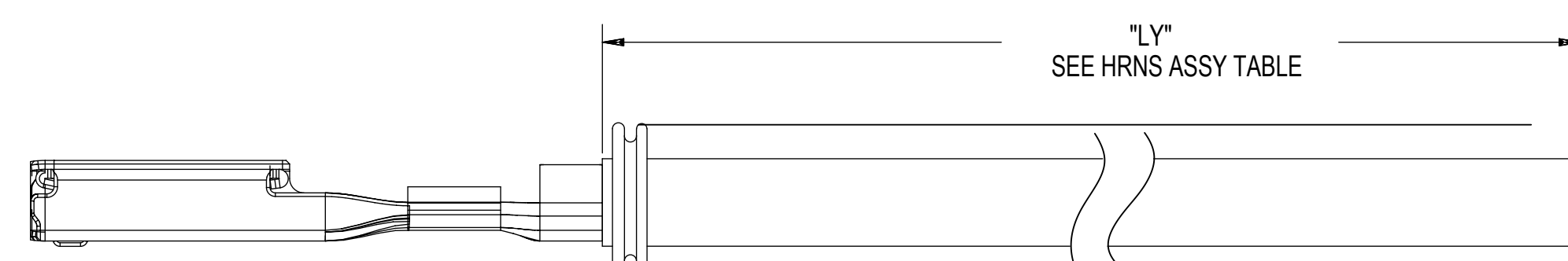
HRNS ASSY



MX64 WIRE ASSY LOOPED
MATERIAL #: SEE HRNS ASSY TABLE



MX64 WIRE ASSY PIGTAIL
MATERIAL #: SEE HRNS ASSY TABLE



2.8mm YESC SEALED FEMALE PIGTAIL ASSY
MATERIAL #: SEE HRNS ASSY TABLE

AWG WIRE HRNS ASSY TABLE

TESTED	HRNS ASSY				HRNS CONN ASSY MATERIAL #	DRESS COVER MATERIAL #	GROMMET CAP MATERIAL #	MX64 WIRE ASSY PER E-33468-001						2.8mm YESC SEALED FEMALE TERMINAL TIN					TY-RAP QTY	RUBBER BAND QTY		
	MATERIAL #	CIRCUIT ID	KEY OPTION	WIRE DRESS OPTION				MATERIAL #	MATERIAL #	MATERIAL #	MATERIAL #	RCPT PLATING	SAE WIRE SIZE #	WIRE TYPE	PIGTAIL OR LOOPED	"LMX" IN METERS 10%	QTY	MATERIAL #			SAE WIRE SIZE #	WIRE TYPE
NO	34070-9234	80	H	0	34566-0803	34565-0003	34571-0301	334670203	Ag	18	TXL	PGTL	3	80	N/A	N/A	N/A	N/A	N/A	N/A	6	0
NO	34070-9934	73	A	0	34566-0103	34565-0003	34571-0101	334670203	Ag	18	TXL	PGTL	3	72	343670005	14	TXL	PGTL	3	1	6	0
NO	34070-9834	73	B	0	34566-0203	34565-0003	34571-0101	334670203	Ag	18	TXL	PGTL	3	72	343670005	14	TXL	PGTL	3	1	6	0
(H30) NO	34330-9214	80	H	0	34566-0803	34565-0003	N/A	334670204	Ag	18	TXL	LPD	1	40	N/A	N/A	N/A	N/A	N/A	N/A	3	1
NO	34330-9914	73	A	0	34566-0103	34565-0003	N/A	334670204	Ag	18	TXL	LPD	1	36	343670005	14	TXL	LPD	3	1	3	1
NO	34330-9814	73	B	0	34566-0203	34565-0003	N/A	334670204	Ag	18	TXL	LPD	1	36	343670005	14	TXL	LPD	3	1	3	1
(H30) NO	34333-9214	80	H	0	34566-0803	34565-0003	34571-0301	334670205	Ag	18	PTFE	PGTL	1	40	N/A	N/A	N/A	N/A	N/A	N/A	3	0
NO	34333-9914	73	A	0	34566-0103	34565-0003	34571-0101	334670205	Ag	18	PTFE	PGTL	1	72	N/A	14	PTFE	PGTL	1	1	3	0
NO	34333-9814	73	B	0	34566-0203	34565-0003	34571-0101	334670205	Ag	18	PTFE	PGTL	1	72	N/A	14	PTFE	PGTL	1	1	3	0
NO	34333-9234	80	H	0	34566-0803	34565-0003	34570-0301	334670206	Ag	18	PTFE	PGTL	3	80	N/A	N/A	N/A	N/A	N/A	N/A	6	0
NO	34333-9934	73	A	0	34566-0103	34565-0003	34571-0101	334670206	Ag	18	PTFE	PGTL	3	72	343670006	14	PTFE	PGTL	3	1	6	0
NO	34333-9834	73	B	0	34566-0203	34565-0003	34571-0101	334670206	Ag	18	PTFE	PGTL	3	72	343670006	14	PTFE	PGTL	3	1	6	0
NO	34070-8734	66	A	0	34822-0013	34565-0003	34822-5011	334670203	Ag	18	TXL	PGTL	3	64	343670005	14	TXL	PGTL	3	2	3	0
NO	34070-8754	66	A	0	34822-0013	34565-0003	34822-5011	334670203	Ag	18	TXL	PGTL	5	64	343670007	14	TXL	PGTL	5	2	10	0
NO	34070-9434	73	F	0	34070-0603	34565-0003	34571-0101	334670203	Ag	18	TXL	PGTL	3	72	343670005	14	TXL	PGTL	3	1	6	0
NO	34070-9434	73	F	9	34070-1803	34565-0003	34571-0501	334670203	Ag	18	TXL	PGTL	3	72	343670005	14	TXL	PGTL	3	1	6	0
NO	34070-8534	66	C	0	34822-0033	34565-0003	34571-5011	334670203	Ag	18	TXL	PGTL	3	64	343670005	14	TXL	PGTL	3	2	3	0
NO	34070-8704	66	A	0	34822-0013	34822-0033	34822-5031	N/A	N/A	N/A	N/A	N/A	N/A	N/A	343670005	14	TXL	PGTL	3	2	N/A	N/A
NO	34070-8504	66	C	0	34822-0033	34822-0033	34822-5031	N/A	N/A	N/A	N/A	N/A	N/A	N/A	343670005	14	TXL	PGTL	3	2	N/A	N/A
NO	34330-8734	66	A	0	34822-0013 (QTY2)	34565-0003	N/A	334670208	Ag	18	TXL	LPD	3	64	343670008	14	TXL	LPD	3	2	3	N/A

PRODUCTION PART # FOR HARNESS ASSEMBLY (WITH WIRES) XXXXX-KKWP

XXXXX- SERIES NUMBER			
SERIES #	CKT SIZE	WIRE TYPE	WIRE DRESS
34070	73/80/66	TXL	PGTL
34330	73/80/66	TXL	LPD
34333	73/80/66	PTFE	PGTL

KK- HARNESS CONNECTOR KEY	
#	73/80 KEY
99	A
98	B
97	C
96	D
95	E
94	F
93	G
92	H
91	J
90	K
89	L
88	M
#	66 KEY
87	A
86	B
85	C

W- MX64 CRIMPED LEAD WIRE LENGTH (m)

P- MX64 RECPT. TERMINAL PLATING
3 - Au
4 - Ag

NOTES: UNLESS OTHERWISE SPECIFIED APPLIES TO "HRNS ASSY" ONLY
1. REFER TO: PACKAGING DRAWING # PK-31300-078
2. FOR HRNS ASSY WITH WIRE ASSY SEE NEXT PAGE

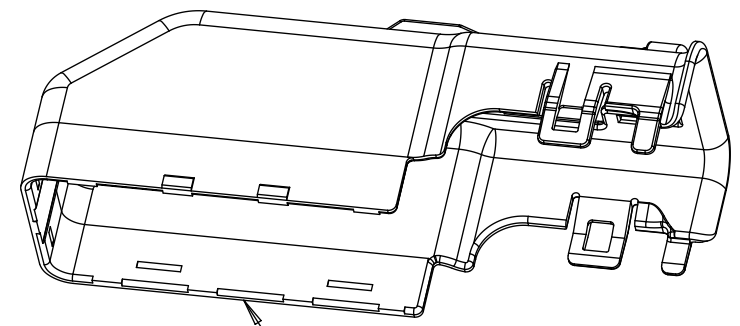
SYMBOLS	THIS DRAWING CONTAINS INFORMATION THAT IS PROPRIETARY TO MOLEX ELECTRONIC TECHNOLOGIES, LLC AND SHOULD NOT BE USED WITHOUT WRITTEN PERMISSION		CURRENT REV DESC:		
	DIMENSION UNITS: MM SCALE: GENERAL TOLERANCES (UNLESS SPECIFIED) ANGULAR TOL: ± ° 4 PLACES ± 3 PLACES ± 2 PLACES ± 1 PLACE ± 0 PLACES ± DRAFT WHERE APPLICABLE MUST REMAIN WITHIN DIMENSIONS	EC NO: 605052 DRWN: HKLIANG 2018/09/27 CHK'D: JDENG02 2018/10/10 APPR: JDENG02 2018/10/10 INITIAL REVISION: DRWN: TYE 2016/05/06 APPR: SKRAJENDRANA 2016/08/22	MX123 66/73/80CKT HRNS CONN ASSY PRODUCT CUSTOMER DRAWING		
DOCUMENT STATUS: P1 RELEASE DATE: 2018/10/10 03:26:09	D-34566 SEE TABLE		GENERAL MARKET		SHEET NUMBER: 5 OF 8

AWG WIRE HRNS ASSY TABLE

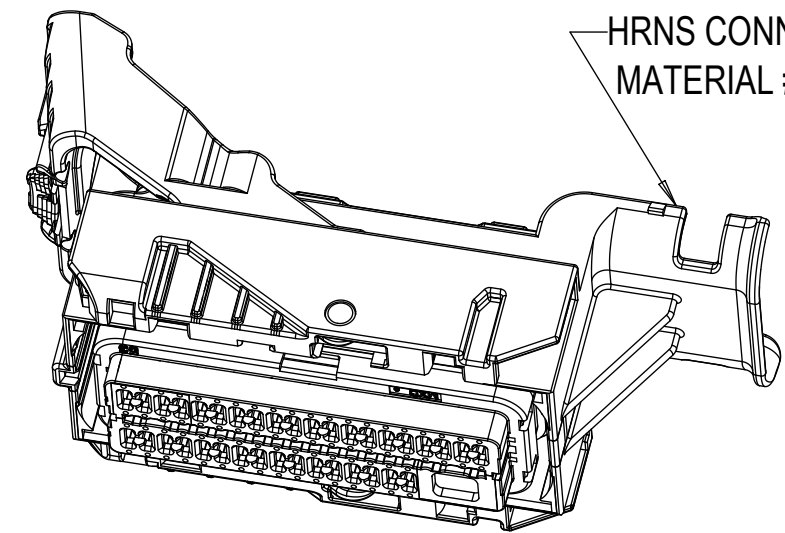
TESTED	HRNS ASSY				HRNS CONN ASSY MATERIAL #	DRESS COVER MATERIAL #	GROMMET CAP MATERIAL #	MX64 WIRE ASSY PER E-33468-001							2.8mm YESC SEALED FEMALE TERMINAL TIN						TY-RAP QTY	RUBBER BAND QTY
	MATERIAL #	CIRCUIT ID	KEY OPTION	WIRE DRESS OPTION				MATERIAL #	MATERIAL #	MATERIAL #	MATERIAL #	RCPT PLATING	SAE WIRE SIZE #	WIRE TYPE	PIGTAIL OR LOOPED	"LMX" IN METERS 10%	QTY	MATERIAL #	SAE WIRE SIZE #	WIRE TYPE		
NO	34070-9933	73	A	0	34566-0103	34565-0003	34571-0101	334670103	Au	18	TXL	PGTL	3	72	343670005	14	TXL	PGTL	3	1	6	0
NO	34070-9833	73	B	0	34566-0203	34565-0003	34571-0101	334670103	Au	18	TXL	PGTL	3	72	343670005	14	TXL	PGTL	3	1	6	0
NO	34070-9913	73	A	0	34566-0103	34565-0003	34571-0101	334670102	Au	18	TXL	PGTL	1	72	343670005	14	TXL	PGTL	3	1	3	0
NO	34070-9813	73	B	0	34566-0203	34565-0003	34571-0101	334670102	Au	18	TXL	PGTL	1	72	343670005	14	TXL	PGTL	3	1	3	0
NO	34333-9913	73	A	0	34566-0103	34565-0003	34571-0101	334670105	Au	18	PTFE	PGTL	1	72	N/A	14	PTFE	PGTL	1	1	3	0
NO	34333-9813	73	B	0	34566-0203	34565-0003	34571-0101	334670105	Au	18	PTFE	PGTL	1	72	N/A	14	PTFE	PGTL	1	1	3	0
NO	34333-9933	73	A	0	34566-0103	34565-0003	34571-0101	334670106	Au	18	PTFE	PGTL	3	72	343670006	14	PTFE	PGTL	3	1	6	0
NO	34333-9833	73	B	0	34566-0203	34565-0003	34571-0101	334670106	Au	18	PTFE	PGTL	3	72	343670006	14	PTFE	PGTL	3	1	6	0
NO	34070-9233	80	H	0	34566-0803	34565-0003	34571-0301	334670103	Au	18	TXL	PGTL	3	80	N/A	N/A	N/A	N/A	N/A	N/A	6	0
NO	34070-9213	80	H	0	34566-0803	34565-0003	34571-0301	334670102	Au	18	TXL	PGTL	1	80	N/A	N/A	N/A	N/A	N/A	N/A	3	0
NO	34333-9213	80	H	0	34566-0803	34565-0003	34571-0301	334670105	Au	18	PTFE	PGTL	1	80	N/A	N/A	N/A	N/A	N/A	N/A	3	0
NO	34333-9233	80	H	0	34566-0803	34565-0003	34571-0301	334670106	Au	18	PTFE	PGTL	3	80	N/A	N/A	N/A	N/A	N/A	N/A	6	0
YES	34330-9913	73	A	0	34566-0103	34565-0003	N/A	334670104	Au	18	TXL	LPD	1	36	343670005	14	TXL	LPD	3	1	3	1
YES	34330-9813	73	B	0	34566-0203	34565-0003	N/A	334670104	Au	18	TXL	LPD	1	36	343670005	14	TXL	LPD	3	1	3	1
H30 YES	34330-9213	80	H	0	34566-0803	34565-0003	34571-0301	334670104	Au	18	TXL	LPD	1	40	N/A	N/A	N/A	N/A	N/A	N/A	3	1
NO	34070-9733	73	C	0	34566-0303	34565-0003	34571-0101	334670103	Au	18	TXL	PGTL	3	72	343670005	14	TXL	PGTL	3	1	6	0
NO	34070-9713	73	C	0	34566-0303	34565-0003	34571-0101	334670102	Au	18	TXL	PGTL	1	72	343670005	14	TXL	PGTL	3	1	3	0
NO	34330-9713	73	C	0	34566-0303	34565-0003	34571-0101	334670104	Au	18	TXL	LPD	1	36	343670005	14	TXL	LPD	3	1	3	1
NO	34333-9713	73	C	0	34566-0303	34565-0003	34571-0101	334670105	Au	18	PTFE	PGTL	1	72	N/A	14	PTFE	PGTL	1	1	3	0
NO	34333-9733	73	C	0	34566-0303	34565-0003	34571-0101	334670106	Au	18	PTFE	PGTL	3	72	343670006	14	PTFE	PGTL	3	1	6	0
NO	34070-9333	80	G	0	34566-0703	34565-0003	34571-0301	334670103	Au	18	TXL	PGTL	3	80	N/A	N/A	N/A	N/A	N/A	N/A	6	0
NO	34070-9313	80	G	0	34566-0703	34565-0003	34571-0301	334670102	Au	18	TXL	PGTL	1	80	N/A	N/A	N/A	N/A	N/A	N/A	3	0
H30 NO	34330-9313	80	G	0	34566-0703	34565-0003	34571-0301	334670104	Au	18	TXL	LPD	1	40	N/A	N/A	N/A	N/A	N/A	N/A	3	1
NO	34333-9313	80	G	0	34566-0703	34565-0003	34571-0301	334670105	Au	18	PTFE	PGTL	1	80	N/A	N/A	N/A	N/A	N/A	N/A	3	0
NO	34333-9333	80	G	0	34566-0703	34565-0003	34571-0301	334670106	Au	18	PTFE	PGTL	3	80	N/A	N/A	N/A	N/A	N/A	N/A	6	0
NO	34070-9934	73	A	0	34566-0103	34565-0003	34571-0101	334670203	Ag	18	TXL	PGTL	3	72	343670005	14	TXL	PGTL	3	1	6	0
NO	34070-9834	73	B	0	34566-0203	34565-0003	34571-0101	334670203	Ag	18	TXL	PGTL	3	72	343670005	14	TXL	PGTL	3	1	6	0
NO	34070-9914	73	A	0	34566-0103	34565-0003	34571-0101	334670202	Ag	18	TXL	PGTL	1	72	343670005	14	TXL	PGTL	3	1	3	0
NO	34070-9814	73	B	0	34566-0203	34565-0003	34571-0101	334670202	Ag	18	TXL	PGTL	1	72	343670005	14	TXL	PGTL	3	1	3	0
NO	34070-9234	80	H	0	34566-0803	34565-0003	34571-0301	334670203	Ag	18	TXL	PGTL	3	80	N/A	N/A	N/A	N/A	N/A	N/A	6	0
NO	34070-9214	80	H	0	34566-0803	34565-0003	34571-0301	334670202	Ag	18	TXL	PGTL	1	80	N/A	N/A	N/A	N/A	N/A	N/A	3	0
YES	34330-9914	73	A	0	34566-0103	34565-0003	N/A	334670204	Ag	18	TXL	LPD	1	36	343670005	14	TXL	LPD	3	1	3	1
YES	34330-9814	73	B	0	34566-0203	34565-0003	N/A	334670204	Ag	18	TXL	LPD	1	36	343670005	14	TXL	LPD	3	1	3	1
H30 YES	34330-9214	80	H	0	34566-0803	34565-0003	34571-0301	334670204	Ag	18	TXL	LPD	1	40	N/A	N/A	N/A	N/A	N/A	N/A	3	1
NO	34070-9734	73	C	0	34566-0303	34565-0003	34571-0101	334670203	Ag	18	TXL	PGTL	3	72	343670005	14	TXL	PGTL	3	1	6	0
NO	34070-9714	73	C	0	34566-0303	34565-0003	34571-0101	334670202	Ag	18	TXL	PGTL	1	72	343670005	14	TXL	PGTL	3	1	3	0
NO	34330-9714	73	C	0	34566-0303	34565-0003	N/A	334670204	Ag	18	TXL	LPD	1	36	343670005	14	TXL	LPD	3	1	3	1
NO	34070-9334	80	G	0	34566-0703	34565-0003	34571-0301	334670203	Ag	18	TXL	PGTL	3	80	N/A	N/A	N/A	N/A	N/A	N/A	6	0
NO	34070-9314	80	G	0	34566-0703	34565-0003	34571-0301	334670202	Ag	18	TXL	PGTL	1	80	N/A	N/A	N/A	N/A	N/A	N/A	3	0
H30 NO	34330-9314	80	G	0	34566-0703	34565-0003	N/A	334670204	Ag	18	TXL	LPD	1	40	N/A	N/A	N/A	N/A	N/A	N/A	3	1
NO	34070-9414	73	F	0	34566-0603	34565-0003	34571-0101	334670204	Ag	18	TXL	PGTL	1	72	343670001	14	TXL	PGTL	1	1	3	0
NO	34070-9434	73	F	0	34566-0603	34565-0003	34571-0101	334670204	Ag	18	TXL	PGTL	3	72	343670005	14	TXL	PGTL	3	1	6	0
NO	34333-9734	73	C	0	34566-0303	34565-0003	34571-0101	334670206	Ag	18	PTFE	PGTL	3	72	343670006	14	PTFE	PGTL	3	1	6	0

SYMBOLS ▽ = 0 ▽ = 0 ▽ = 0 ▽ = 0 ▽ = 0 ▽ = 0 □ = 0 ■ = 0 ▽ = 0	THIS DRAWING CONTAINS INFORMATION THAT IS PROPRIETARY TO MOLEX ELECTRONIC TECHNOLOGIES, LLC AND SHOULD NOT BE USED WITHOUT WRITTEN PERMISSION			
	MM	SCALE	CURRENT REV DESC:	
	GENERAL TOLERANCES (UNLESS SPECIFIED)		EC NO: 605052 DRWN: HKLIANG 2018/09/27 CHK'D: JDENG02 2018/10/10 APPR: JDENG02 2018/10/10 INITIAL REVISION: DRWN: TYE 2016/05/06 APPR: SKRAJENDRANA 2016/08/22	
	ANGULAR TOL ± °	SCALE		
	4 PLACES ±	DRAFT WHERE APPLICABLE MUST REMAIN WITHIN DIMENSIONS		
3 PLACES ±	THIRD ANGLE PROJECTION	DRAWING SERIES	MATERIAL NUMBER CUSTOMER	SHEET NUMBER
2 PLACES ±	D-D SIZE	34566	SEE TABLE	GENERAL MARKET
1 PLACE ±				MX123 66/73/80CKT HRNS CONN ASSY PRODUCT CUSTOMER DRAWING
0 PLACES ±	SD-34566-001		PSD	000
DOCUMENT NUMBER: SD-34566-001 DOC TYPE: PSD DOC PART: 000 REVISION: G63				
SHEET NUMBER: 6 OF 8				

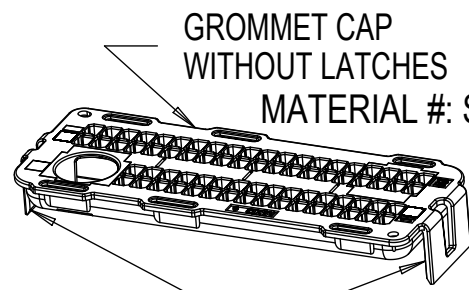
HRNS ASSY COMPONENT LIST



DRESS COVER
MATERIAL #: SEE HRNS ASSY TABLE



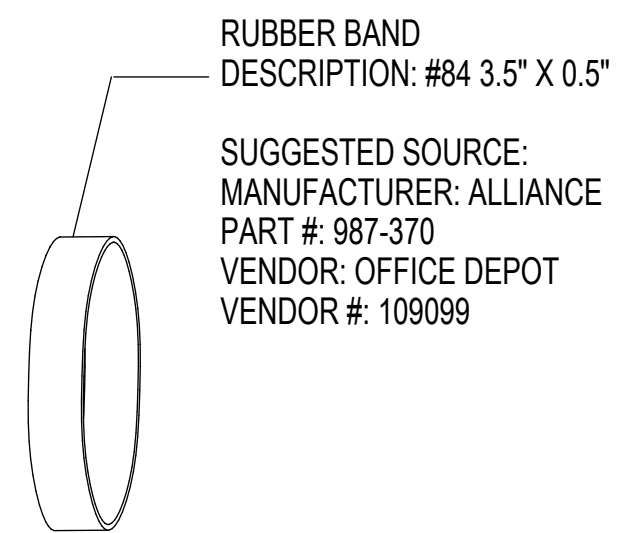
HRNS CONN. ASSY
MATERIAL #: SEE HRNS ASSY TABLE



GROMMET CAP WITHOUT LATCHES
MATERIAL #: SEE HRNS ASSY TABLE

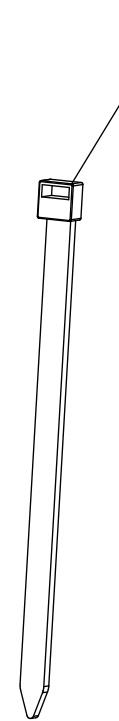


LATCHES
NEED TO BE BROKEN OFF



RUBBER BAND
DESCRIPTION: #84 3.5" X 0.5"

SUGGESTED SOURCE:
MANUFACTURER: ALLIANCE
PART #: 987-370
VENDOR: OFFICE DEPOT
VENDOR #: 109099



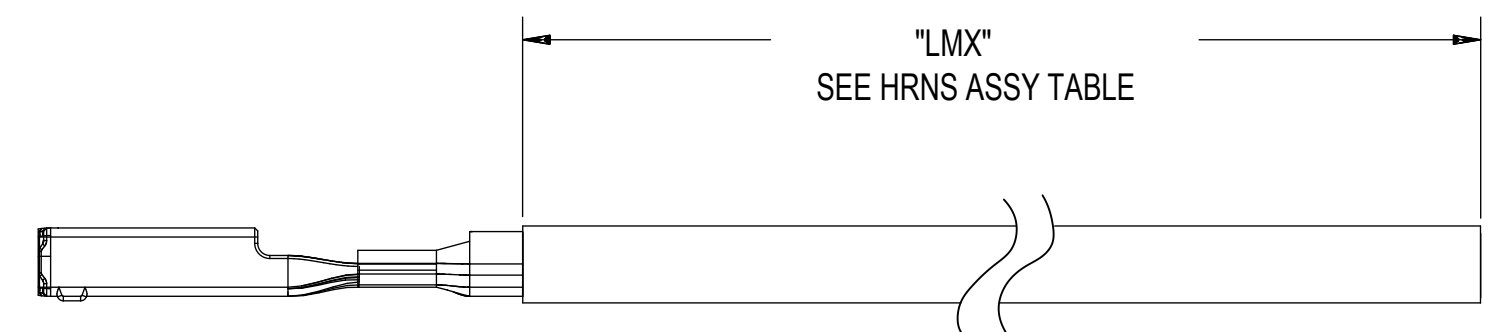
TY-RAP
DESCRIPTION: SIZE TY25 CABLE TIE

SUGGESTED SOURCE:
MANUFACTURER: THOMAS & BETTS
PART #: TY25M
VENDOR: CRESENT ELEC
VENDOR #: 104144

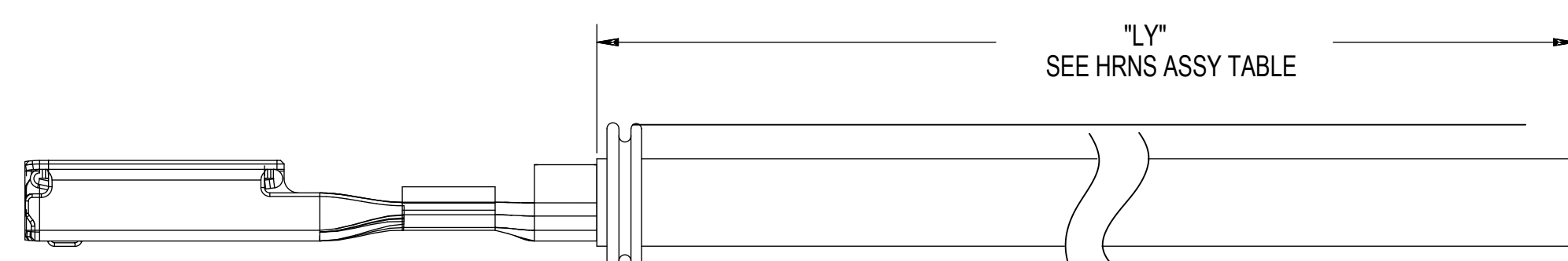
HRNS ASSY



MX64 WIRE ASSY LOOPED
MATERIAL #: SEE HRNS ASSY TABLE



MX64 WIRE ASSY PIGTAIL
MATERIAL #: SEE HRNS ASSY TABLE



2.8mm YESC SEALED FEMALE PIGTAIL ASSY
MATERIAL #: SEE HRNS ASSY TABLE

ISO WIRE HRNS ASSY TABLE

TESTED	HRNS ASSY				HRNS CONN ASSY MATERIAL #	DRESS COVER MATERIAL #	GROMMET CAP MATERIAL #	MX64 WIRE ASSY PER E-33468-001							2.8mm YESC SEALED FEMALE TERMINAL TIN					TY-RAP QTY	RUBBER BAND QTY	
	MATERIAL #	CIRCUIT ID	KEY OPTION	WIRE DRESS OPTION				MATERIAL #	MATERIAL #	MATERIAL #	MATERIAL #	RCPT PLATING	WIRE SIZE mm ²	WIRE TYPE	PIGTAIL OR LOOPED	"LMX" IN METERS 10%	QTY	MATERIAL #	WIRE SIZE # mm ²			WIRE TYPE
NO	2047789931	73	A	0	34566-0103	34565-0003	34571-0101	2047801003	Ag	0.35	ISO	PGTL	3	72	2047811003	2	ISO	PGTL	3	1	6	0
NO	2047789831	73	B	0	34566-0203	34565-0003	34571-0101	2047801003	Ag	0.35	ISO	PGTL	3	72	2047811003	2	ISO	PGTL	3	1	6	0
NO	2047789731	73	C	0	34566-0303	34565-0003	34571-0101	2047801003	Ag	0.35	ISO	PGTL	3	72	2047811003	2	ISO	PGTL	3	1	6	0
NO	2047789431	73	F	0	34566-0603	34565-0003	34571-0101	2047801003	Ag	0.35	ISO	PGTL	3	72	2047811003	2	ISO	PGTL	3	1	6	0
NO	2047789932	73	A	0	34566-0103	34565-0003	34571-0101	2047802003	Ag	0.50	ISO	PGTL	3	72	2047811003	2	ISO	PGTL	3	1	6	0
NO	2047789832	73	B	0	34566-0203	34565-0003	34571-0101	2047802003	Ag	0.50	ISO	PGTL	3	72	2047811003	2	ISO	PGTL	3	1	6	0
NO	2047789732	73	C	0	34566-0303	34565-0003	34571-0101	2047802003	Ag	0.50	ISO	PGTL	3	72	2047811003	2	ISO	PGTL	3	1	6	0
NO	2047789432	73	F	0	34566-0603	34565-0003	34571-0101	2047802003	Ag	0.50	ISO	PGTL	3	72	2047811003	2	ISO	PGTL	3	1	6	0
NO	2047789933	73	A	0	34566-0103	34565-0003	34571-0101	2047803003	Ag	0.75	ISO	PGTL	3	72	2047811003	2	ISO	PGTL	3	1	6	0
NO	2047789833	73	B	0	34566-0203	34565-0003	34571-0101	2047803003	Ag	0.75	ISO	PGTL	3	72	2047811003	2	ISO	PGTL	3	1	6	0
NO	2047789733	73	C	0	34566-0303	34565-0003	34571-0101	2047803003	Ag	0.75	ISO	PGTL	3	72	2047811003	2	ISO	PGTL	3	1	6	0
NO	2047789433	73	F	0	34566-0603	34565-0003	34571-0101	2047803003	Ag	0.75	ISO	PGTL	3	72	2047811003	2	ISO	PGTL	3	1	6	0
NO	2047799911	73	A	0	34566-0103	34565-0003	34571-0101	2047801101	Ag	0.35	ISO	LPD	1	72	2047811101	2	ISO	LPD	1	1	3	0
NO	2047799811	73	B	0	34566-0203	34565-0003	34571-0101	2047801101	Ag	0.35	ISO	LPD	1	72	2047811101	2	ISO	LPD	1	1	3	0
NO	2047799711	73	C	0	34566-0303	34565-0003	34571-0101	2047801101	Ag	0.35	ISO	LPD	1	72	2047811101	2	ISO	LPD	1	1	3	0
NO	2047799411	73	F	0	34566-0603	34565-0003	34571-0101	2047801101	Ag	0.35	ISO	LPD	1	72	2047811101	2	ISO	LPD	1	1	3	0
NO	2047799912	73	A	0	34566-0103	34565-0003	34571-0101	2047802101	Ag	0.50	ISO	LPD	1	72	2047811101	2	ISO	LPD	1	1	3	0
NO	2047799812	73	B	0	34566-0203	34565-0033	34571-0101	2047802101	Ag	0.50	ISO	LPD	1	72	2047811101	2	ISO	LPD	1	1	3	0
NO	2047799712	73	C	0	34566-0303	34565-0033	34571-0101	2047802101	Ag	0.50	ISO	LPD	1	72	2047811101	2	ISO	LPD	1	1	3	0
NO	2047799412	73	F	0	34566-0603	34565-0003	34571-0101	2047802101	Ag	0.50	ISO	LPD	1	72	2047811101	2	ISO	LPD	1	1	3	0
NO	2047799913	73	A	0	34566-0103	34565-0003	34571-0101	2047803101	Ag	0.75	ISO	LPD	1	72	2047811101	2	ISO	LPD	1	1	3	0
NO	2047799813	73	B	0	34566-0203	34565-0003	34571-0101	2047803101	Ag	0.75	ISO	LPD	1	72	2047811101	2	ISO	LPD	1	1	3	0
NO	2047799713	73	C	0	34566-0303	34565-0003	34571-0101	2047803101	Ag	0.75	ISO	LPD	1	72	2047811101	2	ISO	LPD	1	1	3	0
NO	2047799413	73	F	0	34566-0603	34565-0003	34571-0101	2047803101	Ag	0.75	ISO	LPD	1	72	2047811101	2	ISO	LPD	1	1	3	0
NO	2047789333	80	G	0	34566-0703	34565-0003	34571-0301	2047803003	Ag	0.75	ISO	PGTL	3	80	N/A	N/A	N/A	N/A	N/A	N/A	6	0
NO	2047789233	80	H	0	34566-0803	34565-0003	34571-0301	2047803003	Ag	0.75	ISO	PGTL	3	80	N/A	N/A	N/A	N/A	N/A	N/A	6	0

PRODUCTION PART # FOR HARNESS ASSEMBLY (WITH WIRES) XXXXX-KKLW

XXXXXX- SERIES NUMBER			
SERIES #	CKT SIZE	WIRE TYPE	WIRE DRESS
204778	80/73/66	ISO*	PGTL
204779	80/73/66	ISO*	LPD

KK- HARNESS CONNECTOR KEY	
#	73/80 KEY
99	A
98	B
97	C
96	D
95	E
94	F
93	G
92	H
91	J
90	K
89	L
88	M
#	66 KEY
87	A
86	B
85	C

L - MX64 CRIMPED LEAD WIRE LENGTH (m)
W - MX64 CRIMPED LEAD WIRE WIDTH (mm²)
1 - 0.35
2 - 0.50
3 - 0.75

- NOTES: UNLESS OTHERWISE SPECIFIED APPLIES TO "HRNS ASSY" ONLY
1. REFER TO: PACKAGING DRAWING # PK-31300-078
2. FOR HRNS ASSY WITH WIRE ASSY SEE NEXT PAGE

SYMBOLS DIMENSION UNITS: MM SCALE: GENERAL TOLERANCES (UNLESS SPECIFIED): ANGULAR TOL: ± ° 4 PLACES: ± 3 PLACES: ± 2 PLACES: ± 1 PLACE: ± 0 PLACES: ± DRAFT WHERE APPLICABLE MUST REMAIN WITHIN DIMENSIONS	THIS DRAWING CONTAINS INFORMATION THAT IS PROPRIETARY TO MOLEX ELECTRONIC TECHNOLOGIES, LLC AND SHOULD NOT BE USED WITHOUT WRITTEN PERMISSION		CURRENT REV DESC: EC NO: 605052 DRWN: HKLIANG 2018/09/27 CHK'D: JDENG02 2018/10/10 APPR: JDENG02 2018/10/10 INITIAL REVISION: DRWN: TYE 2016/05/06 APPR: SKRAJENDRANA 2016/08/22		<p>MX123 66/73/80CKT HRNS CONN ASSY</p> <p>PRODUCT CUSTOMER DRAWING</p> <p>DOCUMENT NUMBER: SD-34566-001 DOC TYPE: PSD DOC PART: 000 REVISION: G63</p> <p>MATERIAL NUMBER: SEE TABLE CUSTOMER: GENERAL MARKET SHEET NUMBER: 7 OF 8</p>
	THIRD ANGLE PROJECTION		D-SIZE	SERIES: 34566	
	DRAFT WHERE APPLICABLE MUST REMAIN WITHIN DIMENSIONS		D-SIZE 34566		
	THIRD ANGLE PROJECTION		D-SIZE 34566		
	DRAFT WHERE APPLICABLE MUST REMAIN WITHIN DIMENSIONS		D-SIZE 34566		

ISO WIRE HRNS ASSY TABLE

TESTED	HRNS ASSY				HRNS CONN ASSY	DRESS COVER	GROMMET CAP	MX64 WIRE ASSY PER E-33468-001						2.8mm YESC SEALED FEMALE TERMINAL TIN					TY-RAP	RUBBER BAND		
	MATERIAL #	CIRCUIT ID	KEY OPTION	WIRE DRESS OPTION	MATERIAL #	MATERIAL #	MATERIAL #	MATERIAL #	RCPT PLATING	WIRE SIZE # mm²	WIRE TYPE	PIGTAIL OR LOOPED	"LMX" IN METERS 10%	QTY	MATERIAL #	WIRE SIZE # mm²	WIRE TYPE	PIGTAIL OR LOOPED	"LMX" IN METERS 10%	QTY	QTY	QTY
NO	2047789331	80	G	0	34566-0703	34565-0003	34571-0301	2047801003	Ag	0.35	ISO	PGTL	3	80	2047811003	2	ISO	PGTL	3	N/A	6	0
NO	2047789231	80	H	0	34566-0803	34565-0003	34571-0301	2047801003	Ag	0.35	ISO	PGTL	3	80	2047811003	2	ISO	PGTL	3	N/A	6	0
NO	2047789332	80	G	0	34566-0703	34565-0003	34571-0301	2047802003	Ag	0.50	ISO	PGTL	3	80	2047811003	2	ISO	PGTL	3	N/A	6	0
NO	2047789232	80	H	0	34566-0803	34565-0003	34571-0301	2047802003	Ag	0.50	ISO	PGTL	3	80	2047811003	2	ISO	PGTL	3	N/A	6	0
NO	2047789333	80	G	0	34566-0703	34565-0003	34571-0301	2047803003	Ag	0.75	ISO	PGTL	3	80	2047811003	2	ISO	PGTL	3	N/A	6	0
NO	2047789233	80	H	0	34566-0803	34565-0003	34571-0301	2047803003	Ag	0.75	ISO	PGTL	3	80	2047811003	2	ISO	PGTL	3	N/A	6	0
NO	2047799311	80	G	0	34566-0703	34565-0003	N/A	2047801101	Ag	0.35	ISO	LPD	1	80	2047811101	2	ISO	LPD	1	N/A	3	0
NO	2047799211	80	H	0	34566-0803	34565-0003	N/A	2047801101	Ag	0.35	ISO	LPD	1	80	2047811101	2	ISO	LPD	1	N/A	3	0
NO	2047799312	80	G	0	34566-0703	34565-0003	N/A	2047802101	Ag	0.50	ISO	LPD	1	80	2047811101	2	ISO	LPD	1	N/A	3	0
NO	2047799212	80	H	0	34566-0803	34565-0003	N/A	2047802101	Ag	0.50	ISO	LPD	1	80	2047811101	2	ISO	LPD	1	N/A	3	0
NO	2047799313	80	G	0	34566-0703	34565-0003	N/A	2047803101	Ag	0.75	ISO	LPD	1	80	2047811101	2	ISO	LPD	1	N/A	3	0
NO	2047799213	80	H	0	34566-0803	34565-0003	N/A	2047803101	Ag	0.75	ISO	LPD	1	80	2047811101	2	ISO	LPD	1	N/A	3	0
NO	2047789931	66	A	0	34822-0013	34565-0003	34822-5011	2047801003	Ag	0.35	ISO	PGTL	3	64	2047811003	2	ISO	PGTL	3	2	6	0
NO	2047789731	66	C	0	34822-0033	34565-0003	34822-5011	2047801003	Ag	0.35	ISO	PGTL	3	64	2047811003	2	ISO	PGTL	3	2	6	0
NO	2047789932	66	A	0	34822-0013	34565-0003	34822-5011	2047802003	Ag	0.50	ISO	PGTL	3	64	2047811003	2	ISO	PGTL	3	2	6	0
NO	2047789732	66	C	0	34822-0033	34565-0003	34822-5011	2047802003	Ag	0.50	ISO	PGTL	3	64	2047811003	2	ISO	PGTL	3	2	6	0
NO	2047789933	66	A	0	34822-0013	34565-0003	34822-5011	2047803003	Ag	0.75	ISO	PGTL	3	64	2047811003	2	ISO	PGTL	3	2	6	0
NO	2047789733	66	C	0	34822-0033	34565-0003	34822-5011	2047803003	Ag	0.75	ISO	PGTL	3	64	2047811003	2	ISO	PGTL	3	2	6	0
NO	2047799911	66	A	0	34822-0013	34565-0003	N/A	2047801101	Ag	0.35	ISO	LPD	1	64	2047811101	2	ISO	LPD	1	2	3	0
NO	2047799711	66	C	0	34822-0033	34565-0003	N/A	2047801101	Ag	0.35	ISO	LPD	1	64	2047811101	2	ISO	LPD	1	2	3	0
NO	2047799912	66	A	0	34822-0013	34565-0003	N/A	2047802101	Ag	0.50	ISO	LPD	1	64	2047811101	2	ISO	LPD	1	2	3	0
NO	2047799712	66	C	0	34822-0033	34565-0003	N/A	2047802101	Ag	0.50	ISO	LPD	1	64	2047811101	2	ISO	LPD	1	2	3	0
NO	2047799913	66	A	0	34822-0013	34565-0003	N/A	2047803101	Ag	0.75	ISO	LPD	1	64	2047811101	2	ISO	LPD	1	2	3	0
NO	2047799713	66	C	0	34822-0033	34565-0003	N/A	2047803101	Ag	0.75	ISO	LPD	1	64	2047811101	2	ISO	LPD	1	2	3	0

SYMBOLS	THIS DRAWING CONTAINS INFORMATION THAT IS PROPRIETARY TO MOLEX ELECTRONIC TECHNOLOGIES, LLC AND SHOULD NOT BE USED WITHOUT WRITTEN PERMISSION		
▽ = 0	DIMENSION UNITS	SCALE	CURRENT REV DESC:
▽ = 0	MM		
▽ = 0	GENERAL TOLERANCES (UNLESS SPECIFIED)		EC NO: 605052 DRWN: HKLIANG 2018/09/27 CHK'D: JDENG02 2018/10/10 APPR: JDENG02 2018/10/10 INITIAL REVISION: DRWN: TYE 2016/05/06 APPR: SKRAJENDRANA 2016/08/22
▽ = 0	ANGULAR TOL	± °	
▽ = 0	4 PLACES	±	
▽ = 0	3 PLACES	±	
▽ = 0	2 PLACES	±	
▽ = 0	1 PLACE	±	
▽ = 0	0 PLACES	±	
■ = 0	DRAFT WHERE APPLICABLE MUST REMAIN WITHIN DIMENSIONS		THIRD ANGLE PROJECTION
▽ = 0			DRAWING
			SERIES
			MATERIAL NUMBER
			CUSTOMER
			SHEET NUMBER

MX123
66/73/80CKT HRNS CONN ASSY

PRODUCT CUSTOMER DRAWING

DOCUMENT NUMBER	DOC TYPE	DOC PART	REVISION
SD-34566-001	PSD	000	G63

SEE TABLE	GENERAL MARKET	8 OF 8
-----------	----------------	--------