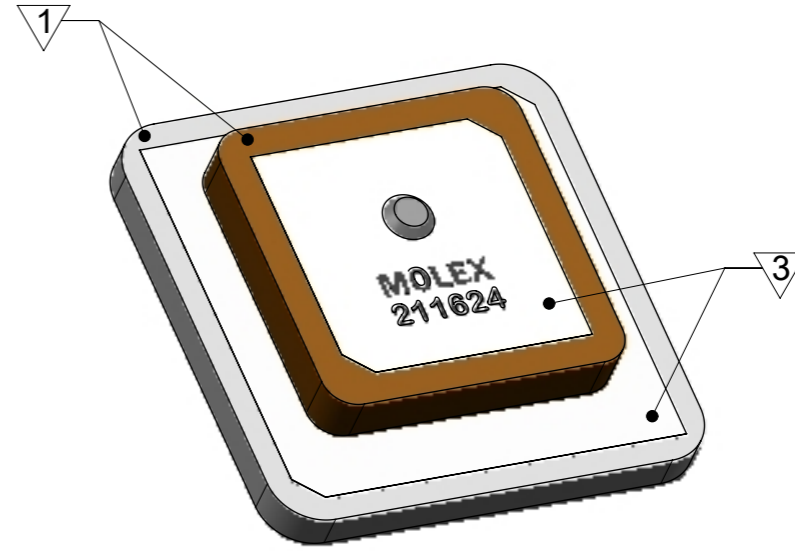
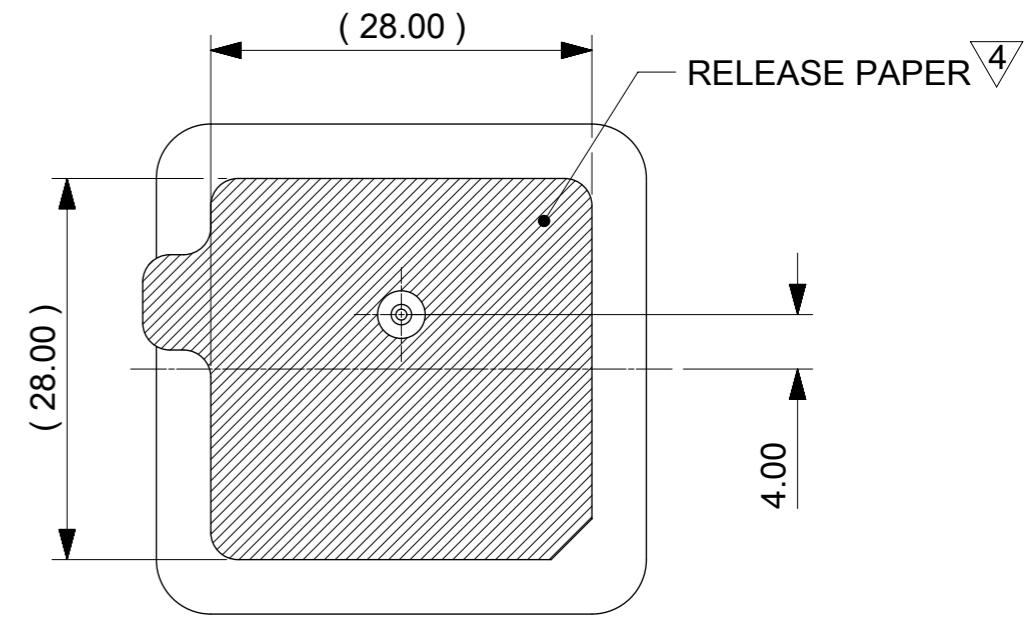
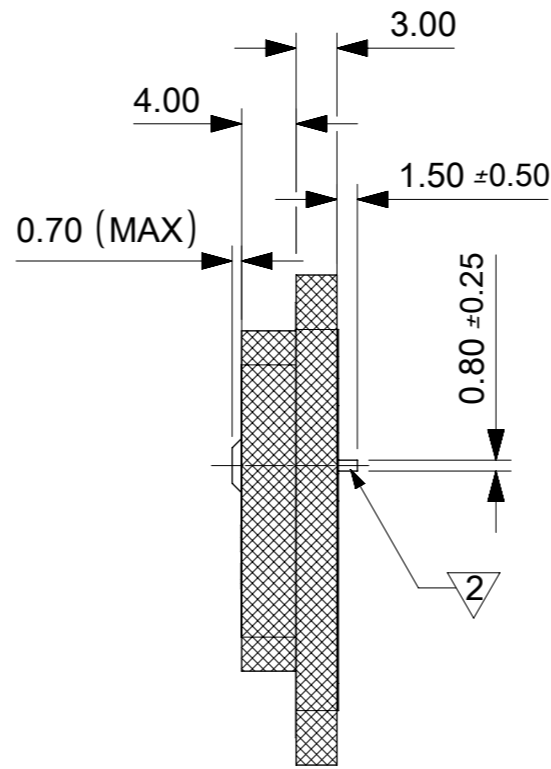
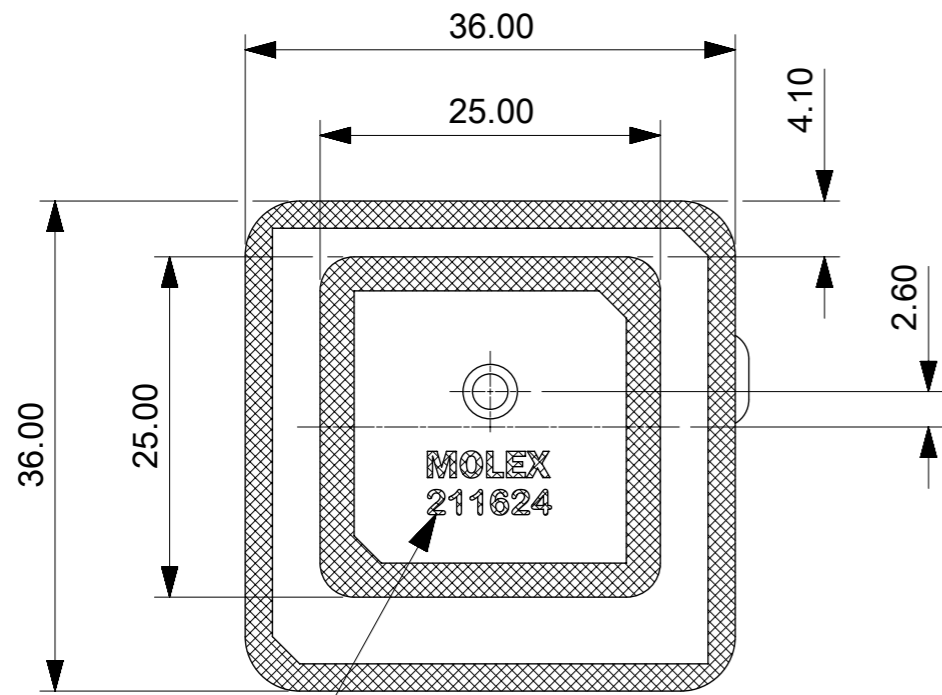


TABLE A		
No.	DESCRIPTION	STRUCTURE AND MATERIAL
1	ANTENNA SUBSTRATE	DIELECTRIC CERAMICS
2	PIN	COPPER AND TINPLATED
3	PATCH	Ag
4	ADHESIVE TYPE	NITTO 5000NS

REV.	DATE	CHANGE DESCRIPTION
A	2019/03/08	NEW RELEASE



3D VIEW



- NOTES:
1. MATERIAL: CERAMIC.
  2. GENERAL COSMETIC APPEARANCE AS DEFINED BY MOLEX COSMETIC SPECIFICATION.
  3. STRUCTURE AND MATERIAL REFERENCE TABLE A

THIS DRAWING CONTAINS INFORMATION THAT IS PROPRIETARY TO MOLEX ELECTRONIC TECHNOLOGIES, LLC AND SHOULD NOT BE USED WITHOUT WRITTEN PERMISSION											
SYMBOLS	DIMENSION UNITS	SCALE	CURRENT REV DESC:								
	mm	1.8 : 1	<p><b>molex</b></p> <p>GPS L1/L5 &amp; GLONASS 36MM STACKED ANTENNA</p> <p>PRODUCT CUSTOMER DRAWING</p>								
▽ = 0	GENERAL TOLERANCES (UNLESS SPECIFIED)		EC NO:	609778	2019/01/16						
▽ = 0	ANGULAR TOL ± °		DRWN:	KCHENG06	2019/03/11						
▽ = 0	4 PLACES ±		CHK'D:	XJSONG	2019/03/11						
▽ = 0	3 PLACES ±		APPR:	XJSONG	2019/03/11						
▽ = 0	2 PLACES ± 0.75		INITIAL REVISION:								
▽ = 0	1 PLACE ±		DRWN:	KCHENG06	2019/01/16						
▽ = 0	0 PLACES ±		APPR:	XJSONG	2019/03/11						
□ = 0	DRAFT WHERE APPLICABLE MUST REMAIN WITHIN DIMENSIONS		THIRD ANGLE PROJECTION	DRAWING	SERIES	MATERIAL NUMBER	CUSTOMER	DOCUMENT NUMBER	DOC TYPE	DOC PART	REVISION
▽ = 0			⊕	A3-SIZE	211624	2116240001	GENERAL MARKET	2116240001	PSD	000	A
									SHEET NUMBER		
									1 OF 1		