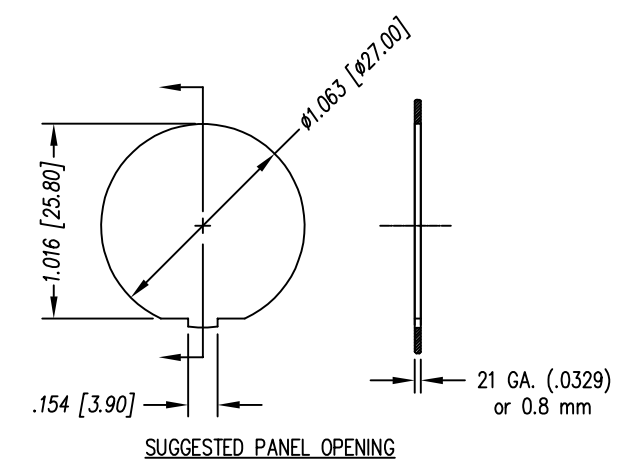
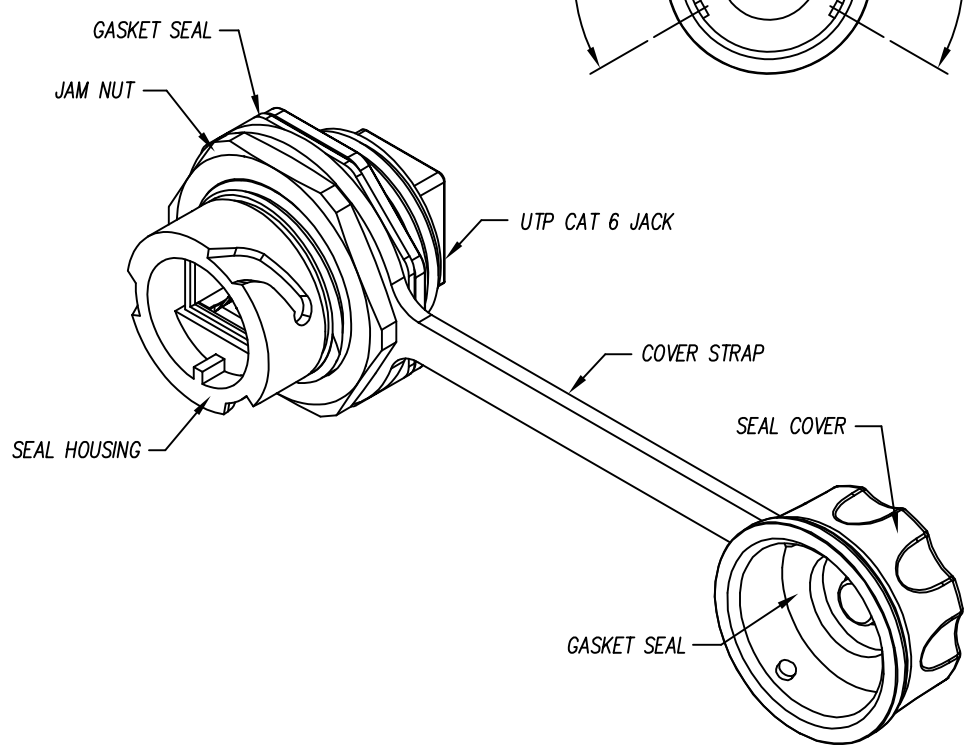
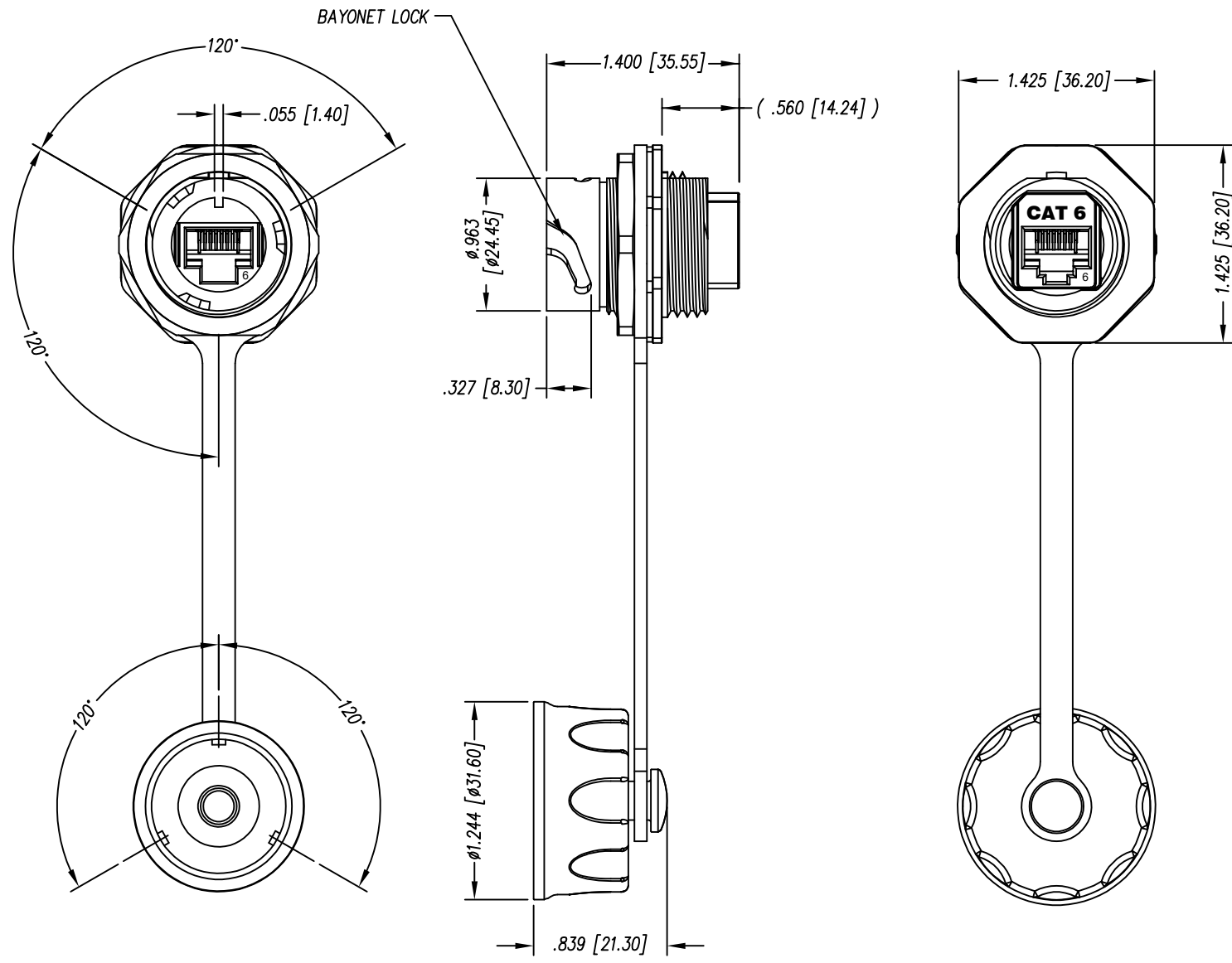


DATE	REV	ECN	APP'D. BY
-	A0	-	-



- NOTES:
- CONNECTOR MATERIALS:
HOUSING: THERMOPLASTIC UL94 V-0
CONTACTS: COPPER ALLOY, TIN PLATED
CONTACT PLATING: SELECTIVE GOLD OR EQUIVALENT
IN THE CONTACT AREA
SEE CHART FOR PART NUMBER
 - JACK DIMENSIONS AND TOLERANCES COMPLY WITH TIA-1096 STANDARD.
 - DESIGNED FOR CATEGORY 6 APPLICATIONS.
 - INTERNATIONAL PROTECTION CODE MEETS IP67.

50 MICRO-INCHES [1.27um]	SS-60400-026
CONTACT PLATING IN MATING AREA	PART NUMBER

THIRD ANGLE PROJECTION	 1118 Susquehanna Trail South Glen Rock, PA 17327-9199 (717) 235-7512 http://www.stewartconnector.com
DO NOT SCALE DRAWING DRAWING IS SUBJECT TO CHANGE WITHOUT NOTICE	
DIMENSIONS: INCHES [METRIC]	TITLE: INDUSTRIAL UNSHIELDED COUPLER JACK IP67 (FTP) CAT 6
UNLESS OTHERWISE SPECIFIED TOLERANCES ARE ±.005 [0.13] ANGLES ARE ± 1°	DRN BY: DHG DATE: 06-06-18
SHEET NO. 1 OF 1	APPD BY: TRM DATE: 06-07-18
	DWG NO. CT600216 REV. A0

