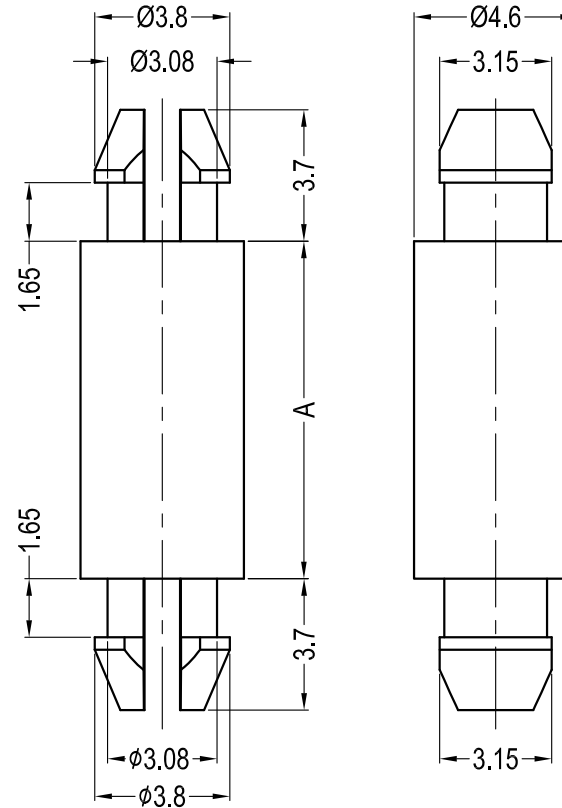


DO NOT SCALE DRAWING

REVISIONS

ZONE	REV.	DESCRIPTION	DATE	APPROVED
	A	DRAWN	08-08-2013	

Part No.	A
TRDLMSPM-2-01	3.2
TRDLMSPM-3-01	4.8
TRDLMSPM-4-01	6.4
TRDLMSPM-5-01	7.9
TRDLMSPM-6-01	9.5
TRDLMSPM-7-01	11.1
TRDLMSPM-8-01	12.7
TRDLMSPM-9-01	14.3
TRDLMSPM-10-01	15.9
TRDLMSPM-11-01	17.5
TRDLMSPM-12-01	19.1
TRDLMSPM-13-01	20.6
TRDLMSPM-14-01	22.2
TRDLMSPM-16-01	25.4
TRDLMSPM-18-01	28.6
TRDLMSPM-20-01	31.7
TRDLMSPM-22-01	34.9
TRDLMSPM-24-01	38.1



Notes:

- Also available in flame retardant nylon(PA66 UL94V-0);
- Top Hole: $\text{Ø}3.18 \pm 0.05\text{mm}$, Panel Thickness: 1.57mm;
- Bottom Hole: $\text{Ø}3.18 \pm 0.05\text{mm}$, Panel Thickness: 1.57mm.



UNLESS OTHERWISE SPECIFIED:
DIMENSIONS ARE IN MILLIMETERS.
SURFACE FINISH:
TOLERANCES:
L ≤ 4 = ±0.1 4 < L ≤ 15 = ±0.2
15 < L ≤ 50 = ±0.3 50 < L ≤ 100 = ±0.4

NAME	DATE
DRAWN MARTIN ELLIOTT	08/08/2013
CHK'D	
APP'VD	

MATERIAL

PA66 UL94 V2

HEAT TREATMENT

N/A

FINISH

NATURAL

TITLE

DUAL LOCKING CIRCUIT BOARD SUPPORT

CUSTOMER PART NO.

DWG NO.

TRDLMSPM-XX-01

A3

PROJECTION



SHEET 1 OF 1

DESIGN RIGHT. TR FASTENINGS LTD. 2003
UNDER NO CIRCUMSTANCES MUST THIS
DRAWING BE COPIED OR DISCLOSED.
WITHOUT FIRST OBTAINING WRITTEN
AUTHORITY.