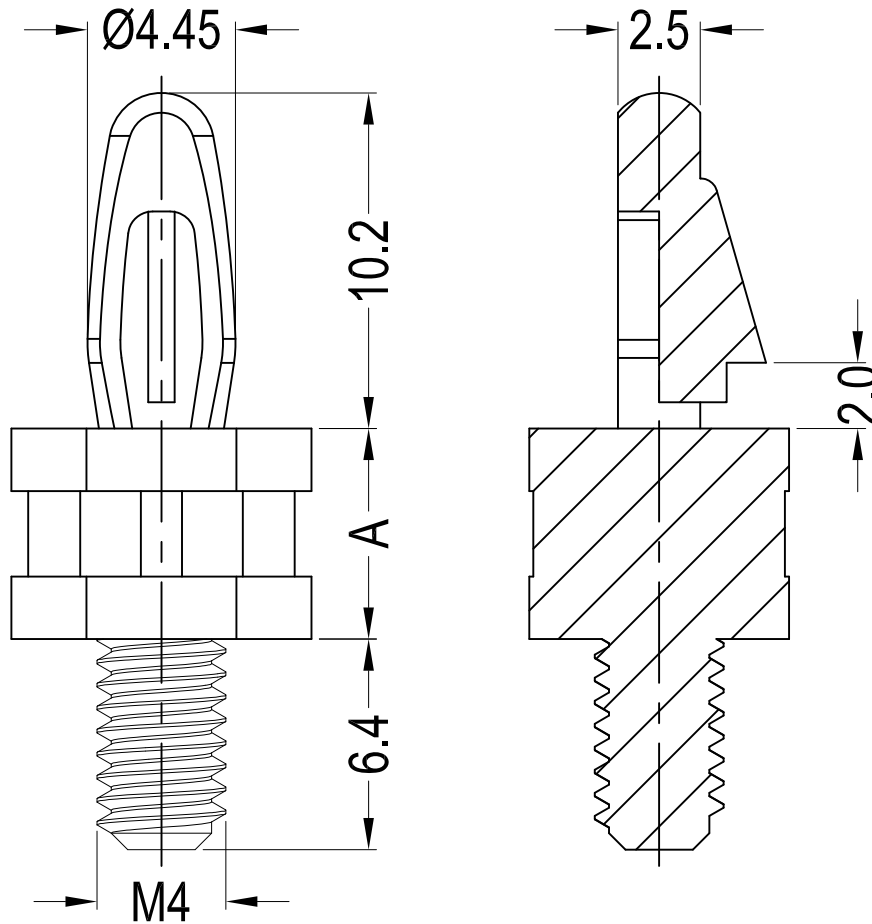


DO NOT SCALE DRAWING

REVISIONS				
ZONE	REV.	DESCRIPTION	DATE	APPROVED
	A	DRAWN	08-08-2013	



Part No.	A
TRMSCBS-4-01	6.4
TRMSCBS-6-01	9.5
TRMSCBS-8-01	12.7
TRMSCBS-10-01	15.9
TRMSCBS-12-01	19.1
TRMSCBS-13-01	20.4
TRMSCBS-14-01	22.2
TRMSCBS-16-01	25.4
TRMSCBS-18-01	28.6
TRMSCBS-22.5-01	35.7 ⁺⁰ _{-0.6}

Notes:

- Also available in flame retardant nylon(PA66 UL94V-0);
- Top Hole: Ø4.0±0.08mm, Panel Thickness: 1.57mm.



DESIGN RIGHT. TR FASTENINGS LTD. 2003
 UNDER NO CIRCUMSTANCES MUST THIS
 DRAWING BE COPIED OR DISCLOSED.
 WITHOUT FIRST OBTAINING WRITTEN
 AUTHORITY.

UNLESS OTHERWISE SPECIFIED:
 DIMENSIONS ARE IN MILLIMETERS.
 SURFACE FINISH:
 TOLERANCES:
 L ≤ 4 = ±0.1 4 < L ≤ 15 = ±0.2
 15 < L ≤ 50 = ±0.3 50 < L ≤ 100 = ±0.4

NAME	DATE
DRAWN MARTIN ELLIOTT	08/08/2013
CHK'D	
APP'VD	

MATERIAL
 PA66 UL94 V2

HEAT TREATMENT
 N/A

FINISH
 NATURAL

TITLE
 METRIC STUDDED PCB SUPPORT

CUSTOMER PART NO.

DWG NO.
 TRMSCBS-XX-01

A3