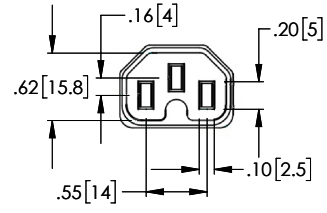
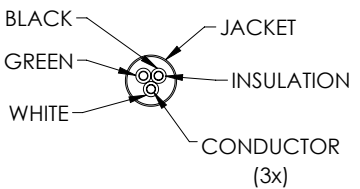
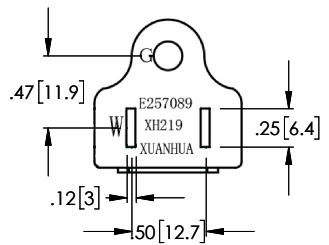
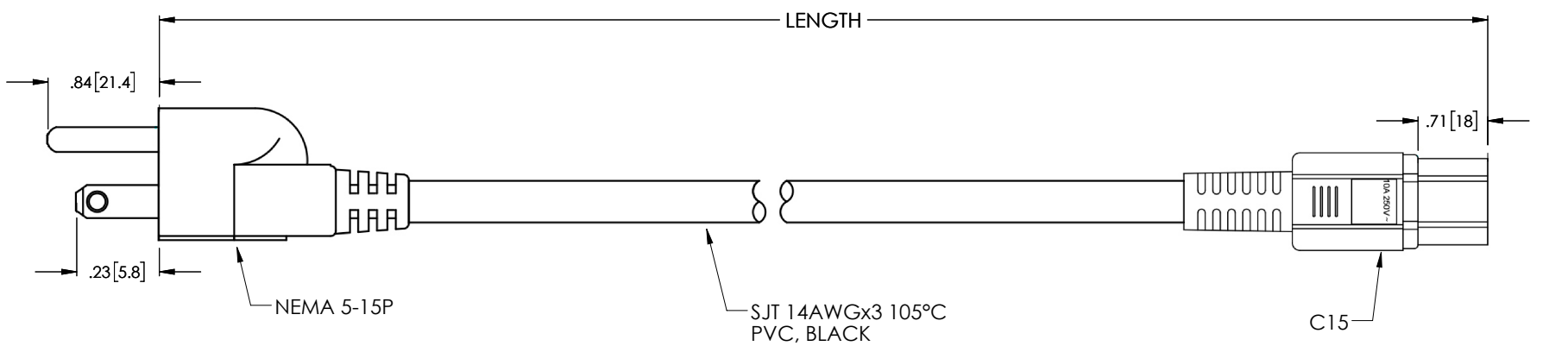


THE INFORMATION CONTAINED IN THIS DRAWING IS THE SOLE PROPERTY OF L-COM, INC. ANY REPRODUCTION IN PART OR WHOLE WITHOUT THE WRITTEN PERMISSION OF L-COM, INC. IS PROHIBITED.

REVISIONS			
REV	DESCRIPTION	DATE	APPROVED
A	REV A DRAWING RELEASED	11/12/2018	BPUCHASKI



PART NUMBER	LENGTH FEET	LENGTH METERS
PPA00014-01F	1	.30
PPA00014-03F	3	.91
PPA00014-06F	6	1.83
PPA00014-10F	10	3.05
PPA00014-15F	15	4.57

NOTES:

- VOLTAGE RATING: AC \geq 1500V/S
- CONNECTOR MALE POWER RATING: NEMA 5-15P UL-E257089
- CONNECTOR C15 POWER RATING: 15A UL-E257089
- CABLE: SJT 14AWGx3, 300V, 105°C VW-1 E313867 FT1
- CABLE ASSEMBLY SHALL BE INDIVIDUALLY PACKAGED IN ACCORDANCE WITH SPEC. PS-0031

REGULATORY COMPLIANCE:
CE2011/65/EU (RoHS DIRECTIVE)

UNLESS OTHERWISE SPECIFIED, DIMENSIONS ARE IN INCHES [mm] OVERALL CABLE LENGTH TOLERANCE: ≤ 12 [305] = +1 [25] / -0 > 12 [305] ≤ 60 [1524] = +2 [51] / -0 > 60 [1524] ≤ 120 [3048] = +4 [102] / -0 > 120 [3048] ≤ 300 [7620] = +6 [152] / -0 > 300 [7620] = +5% / -0% ALL OTHER DIMENSIONAL TOLERANCES: .X = $\pm .2$ [5.08] .XX = $\pm .02$ [51] .XXX = $\pm .005$ [13]	APPROVALS DRAWN BY BPUCHASKI CHECKED BY DFRISIELLO APPROVED BY BGATES	DATE 10/29/2018 10/29/2018 10/29/2018	50 HIGH STREET NORTH ANDOVER, MA 01845 CATEGORY POWER PRODUCTS	
	CONFIGURATION DETAILS OF UNDIMENSIONED FEATURES MAY VARY COLOR VARIATIONS MAY OCCUR	PRODUCT DESCRIPTION PC/PDU POWER CORD NEMA 5-15P TO C15, 15AMP		
PROJECTION 	SIZE A	FSCM NO. 43321	DWG. NO. PPA00014	REV. A
SCALE: NONE		CAD FILE: PPA00014.SLDDRW		SHEET 1 OF 1