

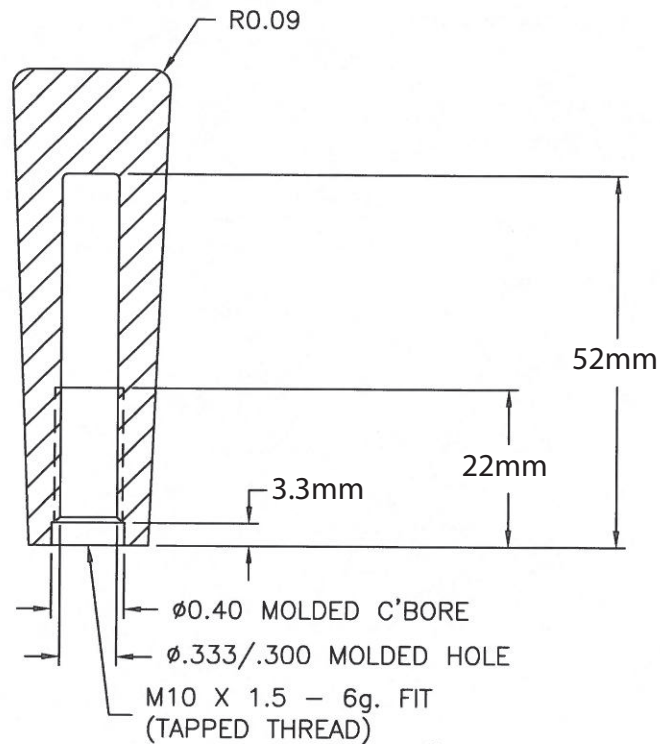
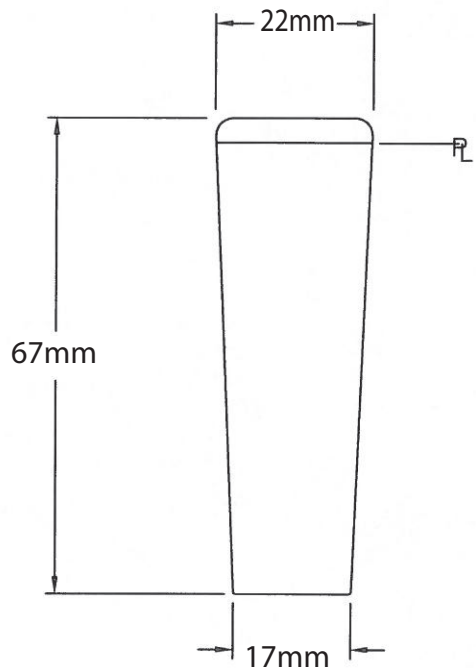
PART NAME: HANDLE    SCALE: 1:1    DATE: 5/10/95    DR. BY HD

DAVIES MOLDING COMPANY  
CAROL STREAM, ILLINOIS 60188

P/N 0692CQ

BASE PART 0692-01

THIS DRAWING IS THE PROPERTY OF DAVIES MOLDING COMPANY, IS SUBMITTED SOLELY AS A DESIGN OR ENGINEERING PROJECT. WE ACCEPT NO RESPONSIBILITY WHATSOEVER FOR THE PRACTICAL APPLICATION OF THE PIECES MADE TO THIS DESIGN.



M10 X 1.5 - 6g. FIT  
(TAPPED THREAD)

Ⓐ

NOTE : MAKE SURE USE STD. TAP ONLY.  
O/S TAP NOT PERMITTED.

(TOOL ORDER # 5603)

MATERIAL: G.P. PHENOLIC (B11)  
COLOR: BLACK

|   |                                  |   |   |
|---|----------------------------------|---|---|
| TOLERANCES:<br>UNLESS OTHERWISE SPECIFIED | DO NOT SCALE<br>DRAWING          |   |   |
| DECIMALS: X.XXX ± .005<br>X.XX ± .015     | MM: X.XX ± 0.15MM<br>X.X ± 0.4MM | - | UPDATED TOOLBOX JAM 1/17/03               |
| FRACTIONS ± 1/64                          | ANG. ± 1°                        | A | CLASS OF FIT AND<br>NOTE ADDED. HD 6/6/95 |
| CHANGES                                   |                                  |   |   |