

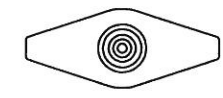
PART NAME: KNOB SCALE: 1:1 DATE: 11/1/16 DR. BY JAM

THIS DRAWING IS THE PROPERTY OF DAVES MOLDING COMPANY, IS SUBMITTED SOLELY AS A DESIGN OR ENGINEERING PROJECT. WE ACCEPT NO RESPONSIBILITY WHATSOEVER FOR THE PRACTICAL APPLICATION OF THE PIECES MADE TO THIS DESIGN.

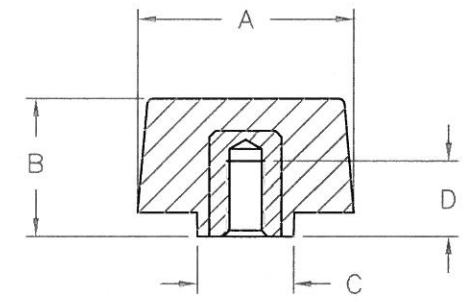


DESIGNERS & MANUFACTURERS OF KNOBS, HANDLES, CASES & CUSTOM PLASTIC COMPONENTS

P/N 3087AS-AW

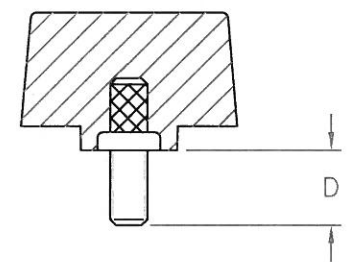


	THREAD	A	B	C	D
3087AS	M5 X 0.8	28	18	12	10
3087AT	M6 X 1	28	18	12	12



THREADED INTERNAL INSERT

	THREAD	A	B	C	D
3087-L	M5 X 0.8	28	18	12	10
3087AU	M5 X 0.8	28	18	12	20
3087AV	M6 X 1	28	18	12	20
3087AW	M6 X 1	28	18	12	30



THREADED STUD

KNOB MATERIAL: NYLON
COLOR: BLACK

INSERT MATERIAL: INTERNAL INSERTS ARE BRASS,
PROJECTING STUDS ARE ZINC PLATED STEEL

TOLERANCES: UNLESS OTHERWISE SPECIFIED	DO NOT SCALE DRAWING			
	MM: X.XX ± 0.15MM X.X ± 0.4MM			
	ANG. ± 1°	CHANGES		