

PART NAME: KNOB SCALE: 1:1 DATE: 11/1/16 DR. BY JAM

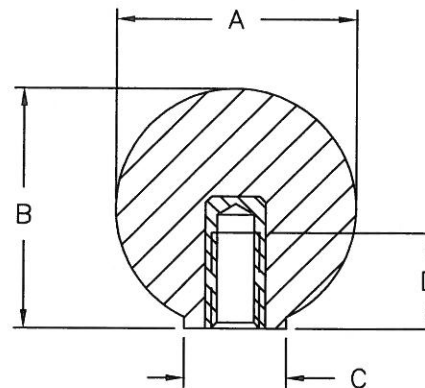


DESIGNERS & MANUFACTURERS
OF KNOBS, HANDLES, CASES &
CUSTOM PLASTIC COMPONENTS

P/N 0025BN-FJ

THIS DRAWING IS THE PROPERTY OF DAVIES MOLDING COMPANY, IS SUBMITTED SOLELY AS A DESIGN OR ENGINEERING PROJECT.
WE ACCEPT NO RESPONSIBILITY WHATSOEVER FOR THE PRACTICAL APPLICATION OF THE PIECES MADE TO THIS DESIGN.

| | THREAD | A | B | C | D |
|--------|-----------|----|----|----|----|
| 0025BN | M6 X 1 | 32 | 32 | 13 | 12 |
| 0025FJ | M8 X 1.25 | 32 | 32 | 13 | 15 |



THREADED INTERNAL INSERT

KNOB MATERIAL: PHENOLIC
COLOR: BLACK

INSERT MATERIAL: INTERNAL INSERTS ARE BRASS,
PROJECTING STUDS ARE ZINC PLATED STEEL

| | | | | | |
|---|----------------------------------|---------|--|--|--|
| TOLERANCES: UNLESS OTHERWISE SPECIFIED | DO NOT SCALE DRAWING | | | | |
| | MM: X.XX ± 0.15MM X.X ± 0.4MM | | | | |
| | ANG. ± 1° | CHANGES | | | |