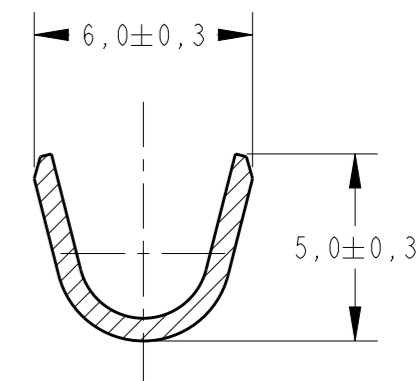
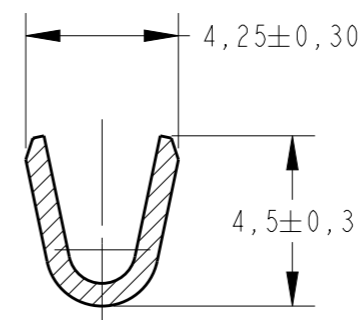
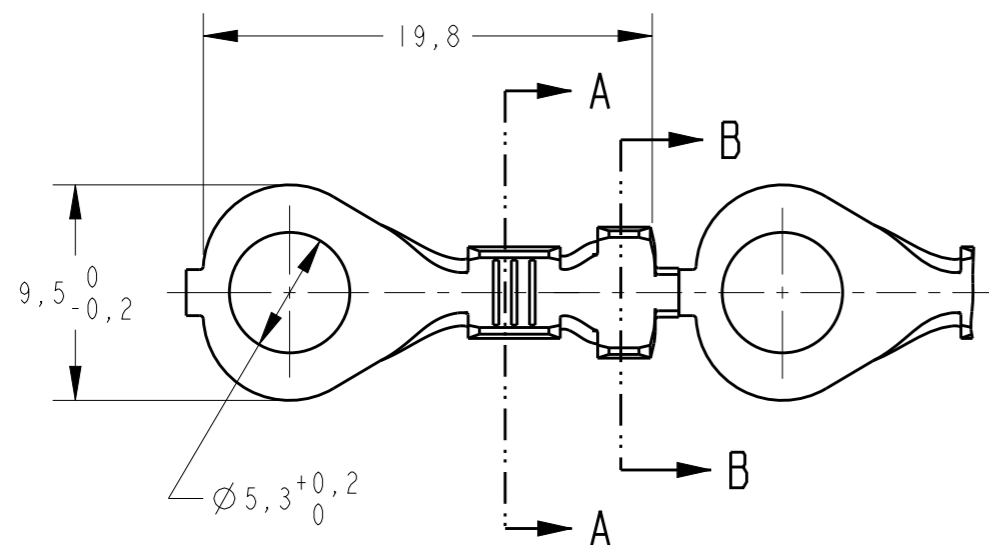


LOC AP DIST -

REVISIONS

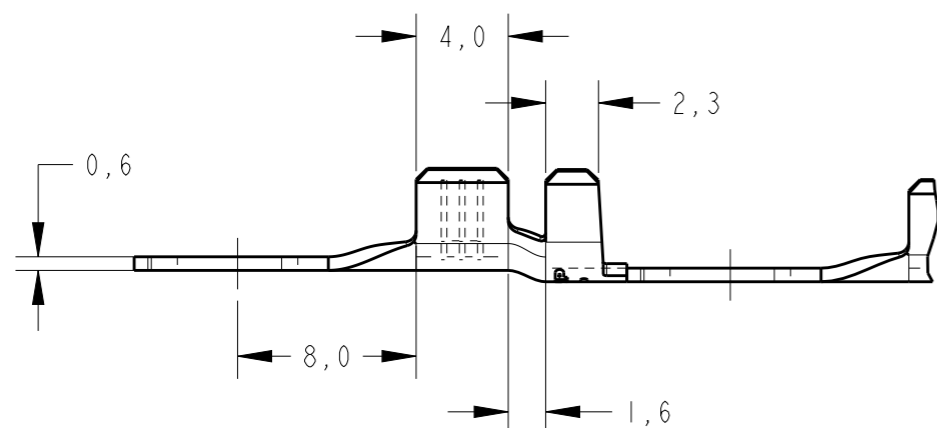
P	LTR	DESCRIPTION	DATE	DWN	APVD
	E3	REVISED BY ECO 16-005813	18JULY2016	HC	WLS

creo
Creo Parametric 2.0
**DO NOT REVISE
EXCEPT BY CAD**



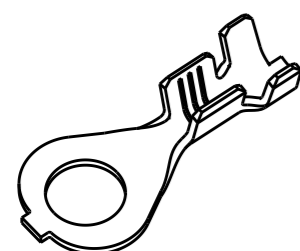
SECTION A-A
SCALE 5:1

SECTION B-B
SCALE 5:1



△ - REBOBINAR COM PAPEL INTERCALADO
- REELING WITH PAPER INTERLEAVE

	Ø 2,2-3,8mm	1,0-2,5mm ²	ESTANHADO / TIN PLATED	LATÃO / BRASS	626033-5 △
OBSOLETE	Ø 2,2-3,8mm	1,0-2,5mm ²	ESTANHADO / TIN PLATED	BRONZE FOSFOROSO/PHOSP. BRONZE	626033-4
OBSOLETE	Ø 2,2-3,8mm	1,0-2,5mm ²	ESTANHADO / TIN PLATED	BRONZE FOSFOROSO/PHOSP. BRONZE	626033-3
	Ø 2,2-3,8mm	1,0-2,5mm ²	ESTANHADO / TIN PLATED	LATÃO / BRASS	626033-2
	—	—	—	LATÃO / BRASS	626033-1
	INSUL RANGE	WIRE RANGE	FINISH	MATERIAL	PART NO



PERSPECTIVE VIEW
SCALE 2:1

THIS DRAWING IS A CONTROLLED DOCUMENT.		DWN 06 JUN 2014 NCLAPRESA	STE TE Connectivity	
DIMENSIONS: mm		CHK 06 JUN 2014 FCFORTUNATO		
TOLERANCES UNLESS OTHERWISE SPECIFIED:		APVD 06 JUN 2014 DAOLIVEIRA	NAME RING TONGUE	
0 PLC ±-		PRODUCT SPEC -	-	
1 PLC ±0,3		APPLICATION SPEC -	SIZE A3	CAGE CODE 00779
2 PLC ±-		WEIGHT -	DRAWING NO C-626033	RESTRICTED TO -
3 PLC ±-		CUSTOMER DRAWING	SCALE 3:1	SHEET 1 OF 1
4 PLC ±-				REV E3
ANGLES ±1°				
FINISH SEE TABLE				