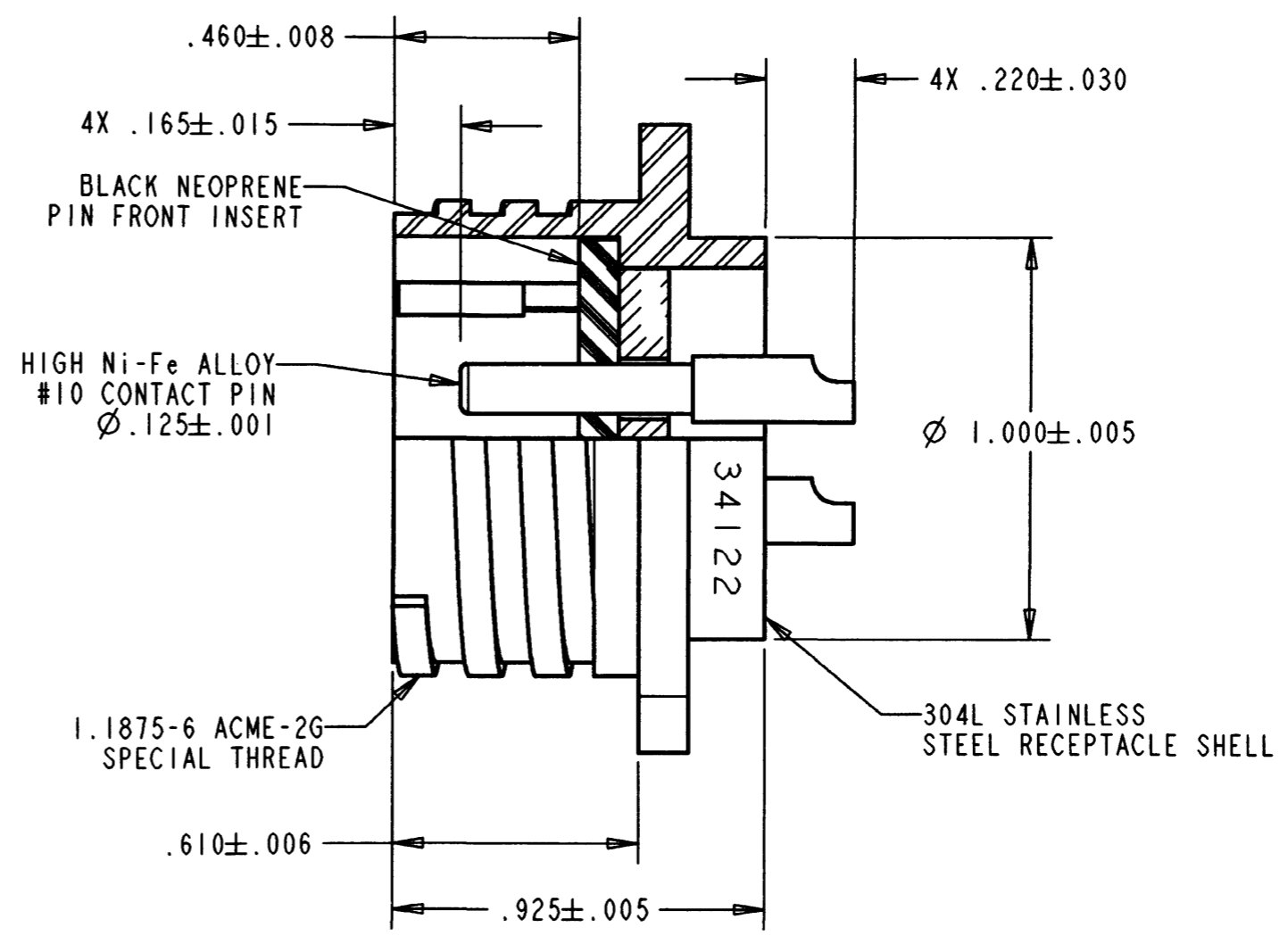
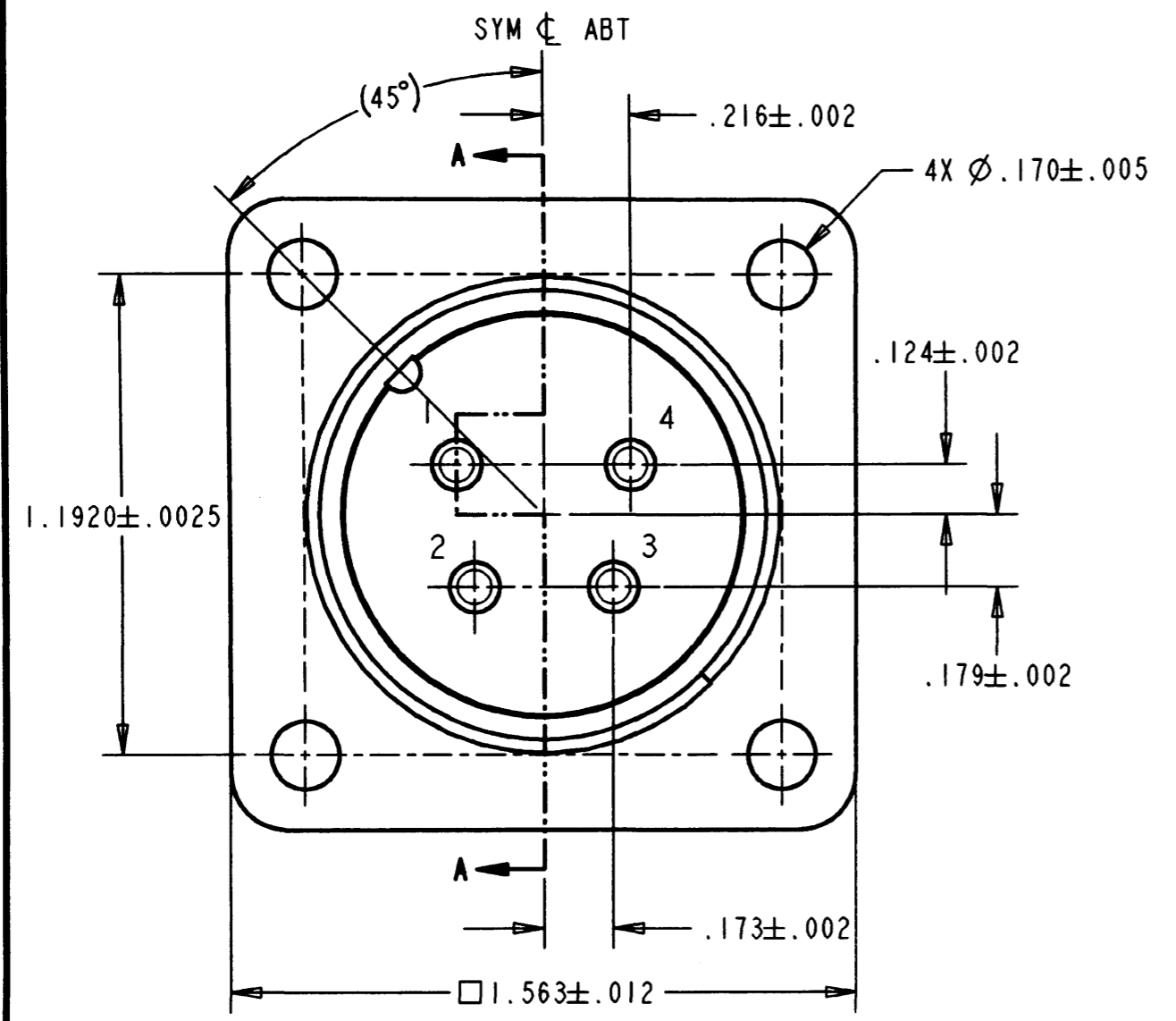


N/C 34122

REVISIONS			
REV	DESCRIPTIONS	DATE	APPROVED
N/C	NEW RELEASE PER E.O.H1837	5/13/97	<i>[Signature]</i>



SECTION A-A

FILE: 34122-ASM

1. DIMENSIONS ARE IN INCHES UNLESS OTHERWISE SPECIFIED.
2. LEAK RATE: $1E-8$ cc/sec He @ 1 atm.
3. INSULATION RESISTANCE: >5000 MEGOHM @ 500VDC
DIELECTRIC WITHSTANDING VOLTAGE: NO BREAKDOWN @ 1300VAC
4. FINISH:
RECP. SHELL - PASSIVATED OR ELECTRO-POLISHED
CONTACT - GOLD OVER NICKEL PLATED
5. THIS CONNECTOR MATES WITH DEUTSCH PLUG 34121.

NOTE:

	SIGNATURE & DATE
DR	S. LUI 5/13/97
CHK	<i>[Signature]</i> 5/13/97
PE	<i>[Signature]</i> 5/13/97
APPD	<i>[Signature]</i> 5/13/97
SCALE:	2.500

RECEPTACLE, CONNECTOR
HERMETIC
4 SIZE 10 CONTACT
ENVELOPE

CP	MATL CODE 78
DEUTSCH HERMETIC PRODUCTS OPERATION 680 Airport Road Oceanside, CA 92054	
B	34122
DWG SIZE	CAGE CODE 11139 SHEET 1 OF 1