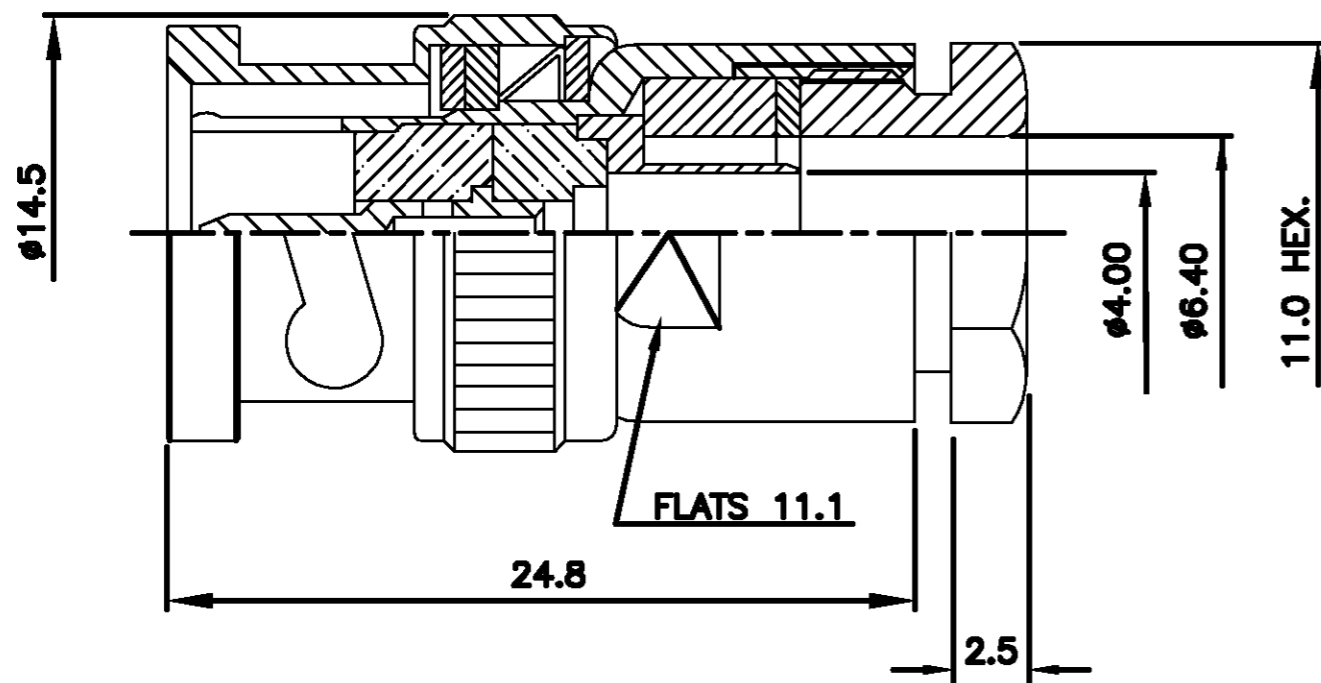


THIS DRAWING IS UNPUBLISHED. RELEASED FOR PUBLICATION 21-11-01.

© COPYRIGHT 2001 BY TYCO ELECTRONICS CORPORATION. ALL RIGHTS RESERVED.

LOC	DIST	REVISIONS					
		P	LTR	DESCRIPTION	DATE	DWN	APVD
E	B		B1	ECR-12-005726	28MAR12	RK	MY



⚠ SUPPLIED SEMI-ASSEMBLED (PACK CONTAINS LOOSE PIECES)
 VIEW SHOWS ASSEMBLED CONNECTOR (CABLE OMITTED)
 FOR CABLE TO CONNECTOR ASSEMBLY GUIDANCE
 REFER TO TE INSTRUCTION SHEET I.S 411 - 3274

ALL DIMENSIONS ARE NOMINAL. FOR REFERENCE ONLY.

DIE SET PART NUMBER	N/A
HANDTOOL PART NUMBER	N/A
FOR USE ON CABLES	RG59B/U, 140/U, 210/U, URM90, PSF 1/3M
CONNECTOR PLATING DETAIL	SILVER
CONTACT PLATING DETAIL	SILVER
DIELECTRIC MATERIAL	PTFE
GASKET MATERIAL	WHITE SILICONE RUBBER

THIS DRAWING IS A CONTROLLED DOCUMENT.		DWN A.BEKEN 21-11-01		
DIMENSIONS: MM		CHK R.G. 21-11-01		
		APVD F.W-KING 21-11-01	NAME BNC STRAIGHT PLUG SOLDER (PS) 59U 75 ohm	
TOLERANCES UNLESS OTHERWISE SPECIFIED:		PRODUCT SPEC 108-3435	RESTRICTED TO	
0 PLC ± - 1 PLC ± - 2 PLC ± - 3 PLC ± - 4 PLC ± - ANGLES ± -		APPLICATION SPEC -	SIZE A3	CAGE CODE 00779
MATERIAL -		FINISH -	DRAWING NO C-1478404	SCALE NTS
		WEIGHT -	SHEET 1 OF 1	
		CUSTOMER DRAWING		REV B1