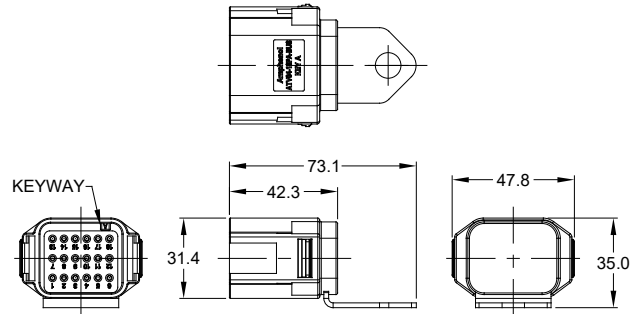
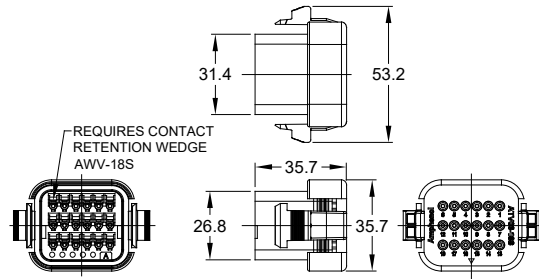


REVISIONS					
REV	ECO	DESCRIPTION	DATE	BY	APPR
A1	-	RELEASE	10JUN19	JAH	DH



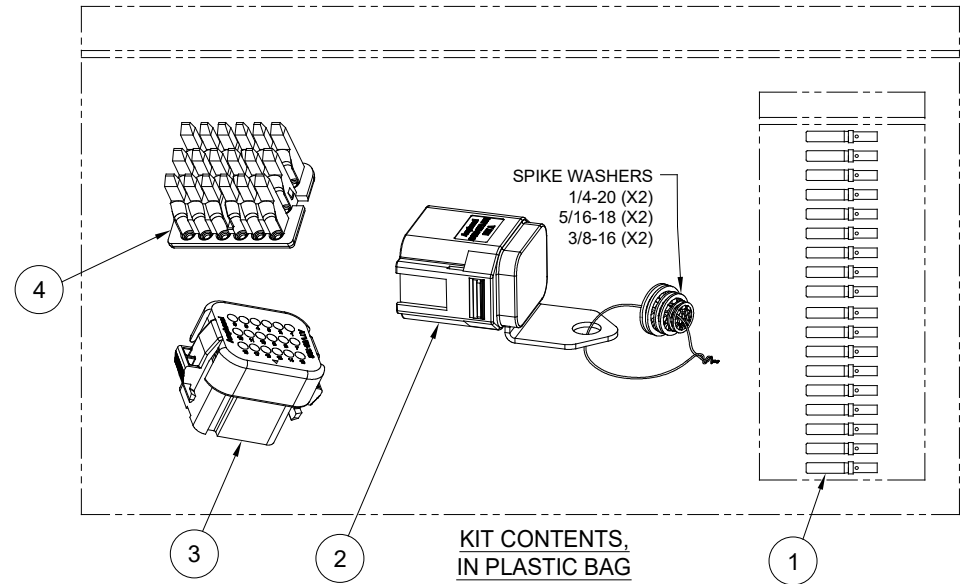
REFERENCE DIMENSIONS - BUS RECEPTACLE



REFERENCE DIMENSIONS - ASSEMBLED PLUG

NOTES: UNLESS OTHERWISE SPECIFIED

- MATERIAL:
HOUSING: THERMOPLASTIC
CONTACT: COPPER ALLOY, NICKEL PLATED
METAL INSERT: COPPER ALLOY, NICKEL PLATED
SPIKE WASHERS: STAINLESS STEEL
- SPECIFICATIONS:
3.1 CURRENT RATING: 230 AMPS
3.2 OPERATING TEMPERATURE: -55°C TO +125°C
3.3 INSULATION RESISTANCE: 1000 MEGOHMS MIN @ 25°C
3.4 MOISTURE RESISTANCE: IP67 (MATED CONDITION)
3.5 MATING CYCLE DURABILITY: 100 CYCLES
3.6 RoHS COMPLIANT
- AVAILABLE HAND CRIMPER: CA-5D12
- ALL DIMENSIONS ARE FOR REFERENCE USE ONLY



KIT CONTENTS,
IN PLASTIC BAG

ATV46-18PSX-BUSCKIT VARIANTS		
COLOR	PART NUMBER	KEY
GREY	ATV46-18PSA-BUSCKIT	A
BLACK	ATV46-18PSB-BUSCKIT	B

6. CONTACT SIZE AND PLUG REAR SEAL WIRE RANGE:

CONTACT SIZE	MIN. INSUL O.D.	MAX. INSUL O.D.	TYPICAL WIRE RANGE
16	2.23 mm (.088 in)	3.68 mm (.145 in)	16 - 20 AWG

QUANTITY	PART NUMBER	DESCRIPTION	ITEM
1	AVV-18S	S-WEDGELOCK 18 POS,ATV	4
1	ATV06-18SX	PLUG, 18 PIN, ATV SERIES, STD DIA. WIRE SEAL	3
1	ATV04-18PX-BUS	RECEPTACLE, 18 PIN, BUS, ATV SERIES	2
18	AT62-201-16141	CONTACT, SOCKET, SOLID, SIZE 16, 16 - 20 AWG	1

MATERIALS LIST		
SIGNATURES	DATE	
DRAWN: JHEAD	10JUN19	
CHECKED:		
ENGINEER:		
APPROVAL: DH	10JUN19	
CUSTOMER:		
THIS DRAWING IS SUPPLIED FOR INFORMATION ONLY. DESIGN FEATURES, SPECIFICATIONS AND PERFORMANCE DATA SHOWN HEREON ARE THE PROPERTY OF THE AMPHENOL CORPORATION. NO RIGHTS OF REPRODUCTION ARE IMPLIED. ALL DIMENSIONS ARE SUBJECT TO NORMAL MANUFACTURING VARIATIONS.		
<p style="text-align: center;">Amphenol</p> <p style="text-align: center;">Sine Systems - www.amphenol-sine.com 44724 Morley Drive Clinton Township, MI 48036</p> <p style="text-align: center;">HYPERBUS ATV SERIES 18-WAY RECP/PLUG COMPLETE KIT</p>		
SIZE: B C-	TYPE: ATV46-18PSX-BUSCKIT	REVISION: A1
SCALE: NONE	SHEET 1 OF 1	

TITLE: HYPERBUS ATV SERIES 18-WAY RECP/PLUG KIT DWG NO: ATV04-18PX-BUSS REV: A1 SH: 1 OF: 1