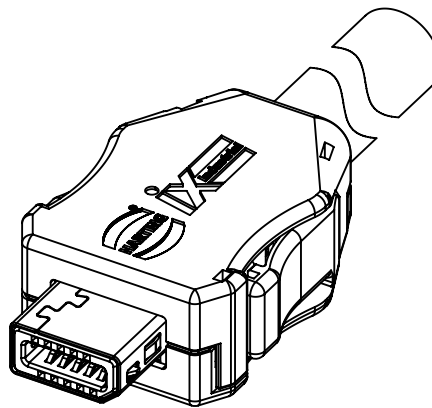
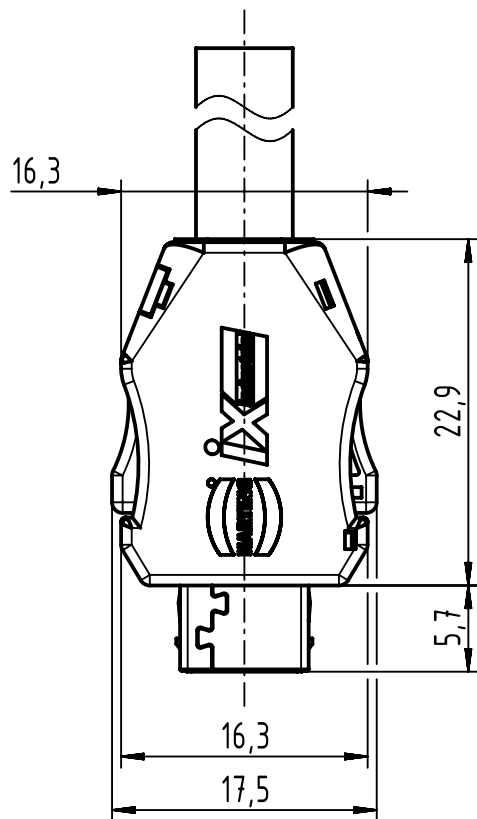



Applicable cable

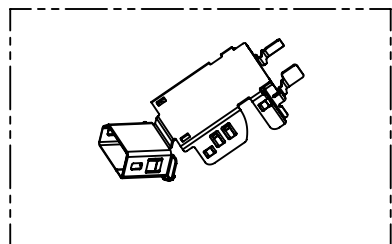
Items	Applicable condition
Conductor size	AWG 24
Insulation O.D.	Ø1.1 to 1.25 mm
Braid Shield	Tin plating
Sheath O.D.	Ø6.3mm - Ø7.2mm



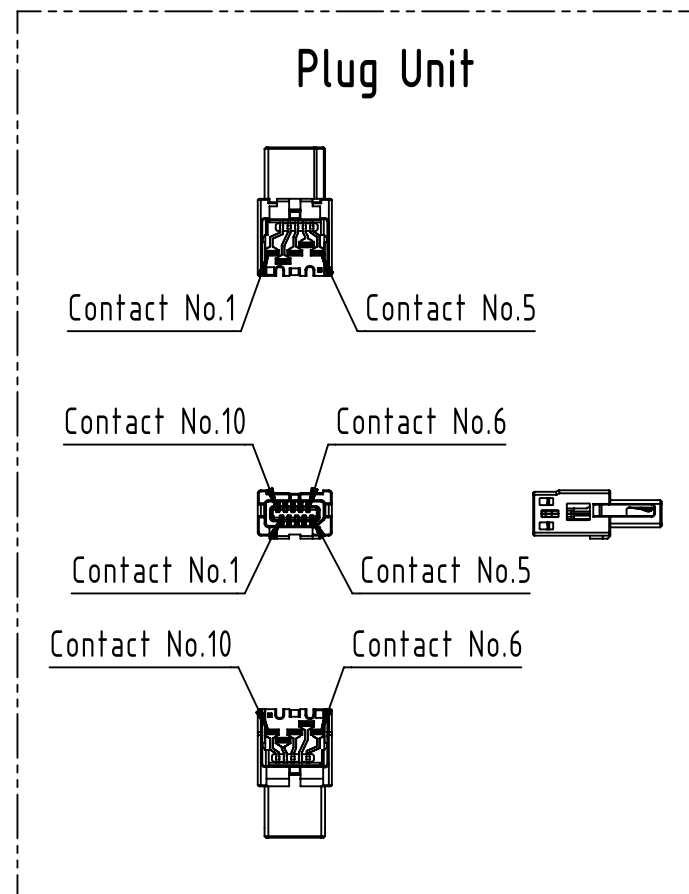
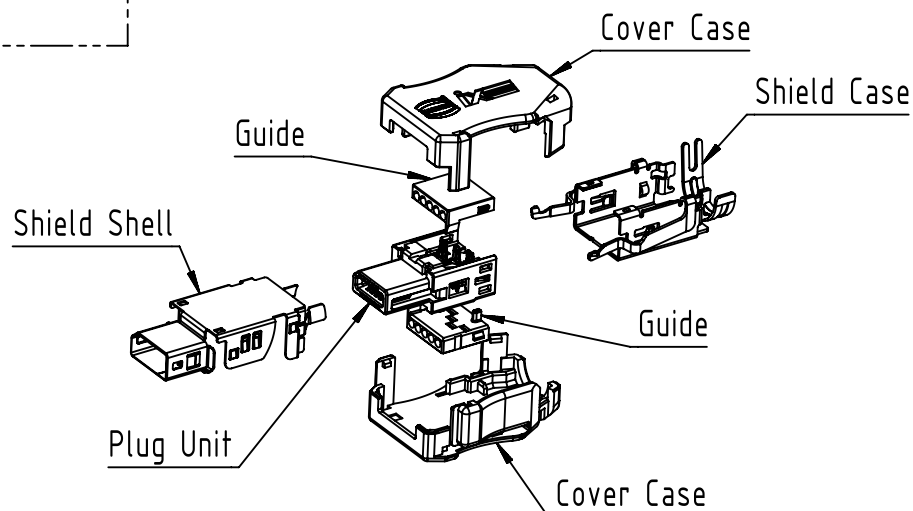
Contact material: copper alloy
 Contact area: Gold 0.2µm min.
 Wiring area: Gold 0.03µm min.
 Under plating: Nickel 2µm min.

	All rights reserved	Created by TAMAS	Inspected by PRIESTER	Standardisation HOFFMANN	Date 2018-06-13	State Final Release	
	Department EL PD	Title IDC type Plug B key, Cable guide Ø1.3 (HARTING Logo)				Doc-Key / ECM-Nr. 100791030/UGD/000/A 500000136323	
HARTING Electronics GmbH D-32339 Espelkamp		Type TB	Number 09451819002			Rev. A	Page 1/2

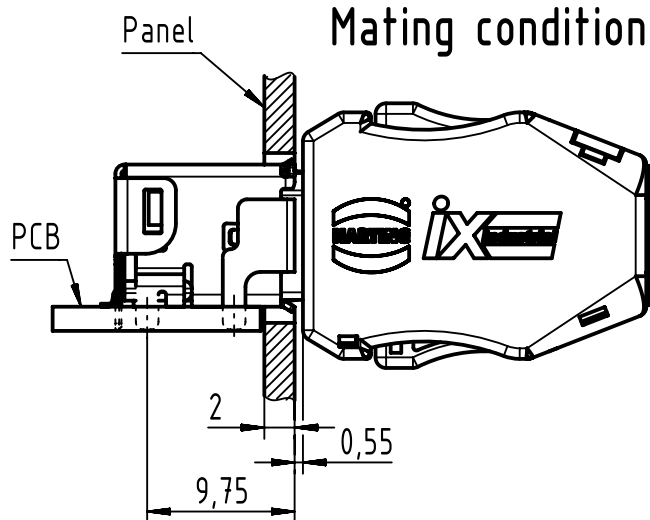
Shield Shell delivery form



Product Structure



Mating condition (2:1)



	All Dimensions in mm Original Size DIN A4	Scale 1:1	Free size tol.	Ref. Sub.	
	All rights reserved Department EL PD	Created by TAMAS	Inspected by PRIESTER	Standardisation HOFFMANN	Date 2018-06-13
HARTING Electronics GmbH D-32339 Espelkamp	Title IDC type Plug B key, Cable guide Ø1.3 (HARTING Logo)			Doc-Key / ECM-Nr. 100791030/UGD/000/A 500000136323	
	Type TB	Number 09451819002		Rev. A	Page 2/2